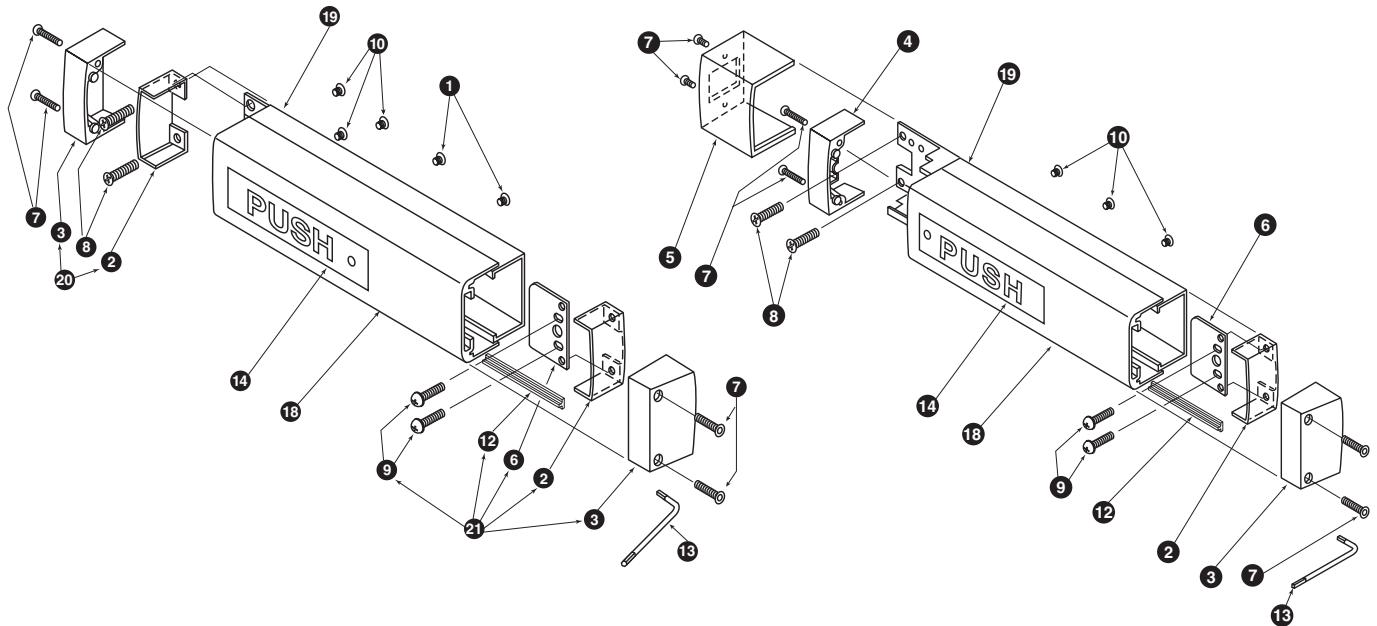


Pushbar

1490

1590



Part No.	Description	Finish	Pkg. Qty
1	SCREW.1028 10-32 1/4" UFPHMS Screw	-	10
2	4270106786 1490/1590 Pushbar Mounting Bracket	-	each
3	4270106787 1490/1590 Pushbar End Cap	P35	each
4	4270106875 1590 Pushbar End Cap	P35	each
5	4270106863 1590 Center Case Cover P35	P35	each
6	4270106770 1490/1590 P/Bar Hingeside Mounting Plate	-	each
7	SCREW.1050 8-32 1" FH Torx Screw (before September, 2004)	-	10
	SCREW.1143 8-18 1.1/4" FPH TF Typ 25	-	10
8	SCREW.1282 12-24 1 1/2" UFPHMS Screw (1490)	-	10
	SCREW.1066 12-24 1" UFPHMS Screw (1590)	-	10
9	SCREW.1053 12-24 1" PPH W/SEMS EXT TF Screw	-	10
10	SCREW.1012 8-32 1/4" UFPHMS Screw	US32D	10
	SCREW.1055 8-32 1/4" UFPHMS Screw	BLACK	10
12	BUMPER.103 Pushbar Bumper 4' (2 ea. Required)	-	each
13	KEY.102 Short Arm Key	-	10
14	4270107321 1490 RHR/1590 LHR Push Label	BLACK	each
	4270107323 1490 LHR/1590 RHR Push Label	BLACK	each
	4270107320 1490 RHR/1590 LHR Push Label	GOLD	each
	4270107322 1490 LHR/1590 RHR Push Label	GOLD	each

EXITS

Pushpads

Commercial /
Medium Duty

1490 / 1590
Series

Pushbar

	Part No.	Description	Finish	Pkg. Qty
18	4270107027	1490 Pushbar 36"	US28	each
	4270107028	1490 Pushbar 36"	DC13	each
	4270107029	1490 Pushbar 36"	DC35	each
	4270107685	1490 Pushbar 36"	US3	each
	4270107689	1490 Pushbar 36"	US4	each
	4270107686	1490 Pushbar 36"	US10	each
	4270107691	1490 Pushbar 36"	US10B	each
	4270107687	1490 Pushbar 36"	US14	each
	4270107688	1490 Pushbar 36"	US15	each
	4270107031	1490 Pushbar 48"	US28	each
	4270107032	1490 Pushbar 48"	DC13	each
	4270107033	1490 Pushbar 48"	DC35	each
	4270107703	1490 Pushbar 48"	US3	each
	4270107707	1490 Pushbar 48"	US4	each
	4270107704	1490 Pushbar 48"	US10	each
4270107709	1490 Pushbar 48"	US10B	each	
4270107705	1490 Pushbar 48"	US14	each	
4270107706	1490 Pushbar 48"	US15	each	
18	4270107091	1590 Pushbar 36"	US28	each
	4270107092	1590 Pushbar 36"	DC13	each
	4270107093	1590 Pushbar 36"	DC35	each
	4270107712	1590 Pushbar 36"	US3	each
	4270107716	1590 Pushbar 36"	US4	each
	4270107713	1590 Pushbar 36"	US10	each
	4270107718	1590 Pushbar 36"	US10B	each
	4270107714	1590 Pushbar 36"	US14	each
	4270107715	1590 Pushbar 36"	US15	each
	4270107095	1590 Pushbar 48"	US28	each
	4270107096	1590 Pushbar 48"	DC13	each
	4270107097	1590 Pushbar 48"	DC35	each
	EXT.255	1590 Pushbar 48"	US3	each
	EXT.259	1590 Pushbar 48"	US4	each
	EXT.256	1590 Pushbar 48"	US10	each
EXT.261	1590 Pushbar 48"	US10B	each	
EXT.257	1590 Pushbar 48"	US14	each	
EXT.258	1590 Pushbar 48"	US15	each	
19	4270107034	1490 Channel 36"	US28	each
	4270107035	1490 Channel 36"	DC13	each
	4270107036	1490 Channel 36"	DC35	each
19	4270107038	1490 Channel 48"	US28	each
	4270107039	1490 Channel 48"	DC13	each
	4270107040	1490 Channel 48"	DC35	each
19	4270107587	1590 Channel 36"	US28	each
	4270107588	1590 Channel 36"	DC13	each
	4270107589	1590 Channel 36"	DC35	each
19	4270107591	1590 Channel 48"	US28	each
	4270107592	1590 Channel 48"	DC13	each
	4270107593	1590 Channel 48"	DC35	each
20	ECAP.111	1490 Lockside End Cap Assembly	P35	each
21	ECAP.103	1490 Hingeside End Cap Assembly	P35	each
	PKG.102	1490 Mounting Package	US28	each
	PKG.104	1490 Mounting Package	DC35	each
	PKG.105	1590 Mounting Package	-	each

EXITS

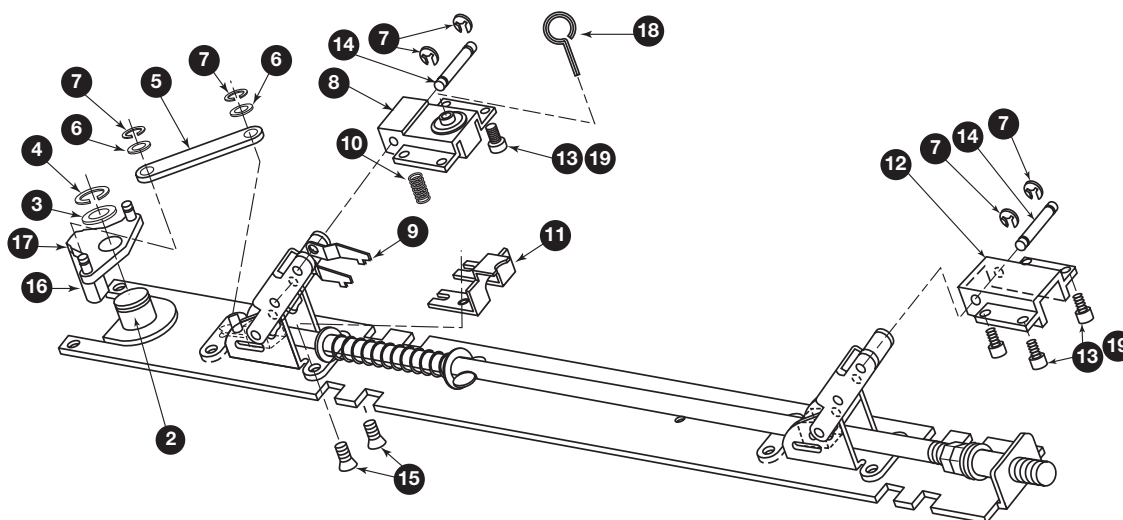
Pushpads

Commercial /
Medium Duty

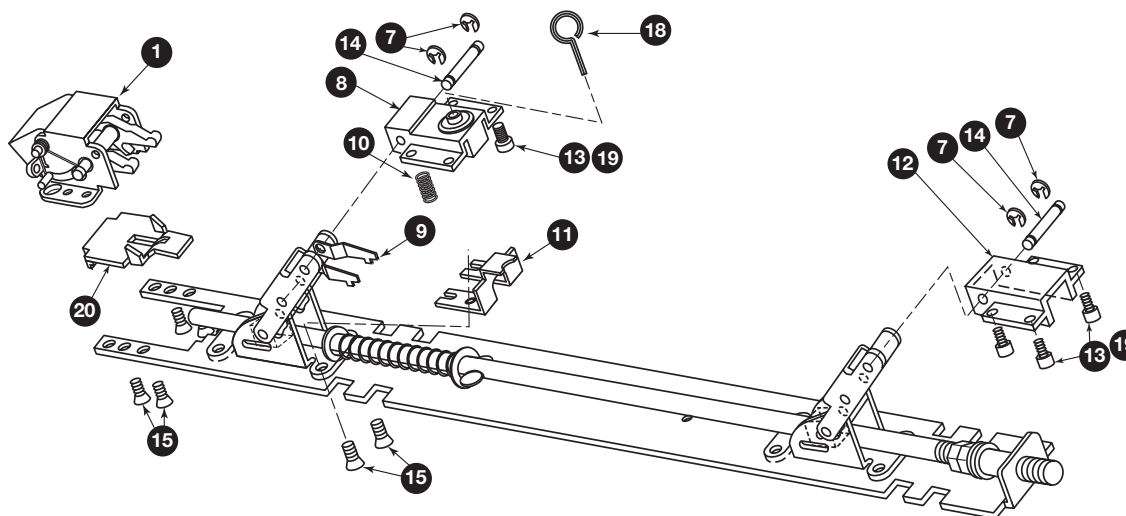
1490 / 1590
Series

Activating Baseplate Assembly

1490



1590



EXITS

Pushpads

Commercial /
Medium Duty

1490 / 1590
Series

Activating Baseplate Assembly

	Part No.	Description	Finish	Pkg. Qty
1	4270107603	1590 Latchbolt Assembly	-	each
2	4270106769	Lift Lever Axle	-	each
3	WASHER.102	Lift Lever Washer	-	10
4	RRING.104	Retaining Ring .500"	-	10
5	4270106773	Link	-	each
6	WASHER.103	Link Washer	-	10
7	RRING.105	Retaining Ring .188"	-	10
8	4270107046	Dogging Bracket Assembly	-	each
9	971659-79	Dogging Clip	-	each
10	4299101020	Compression Spring	-	each
11	971660-79	Act. Rod Spring Stop CZNC	-	each
12	4270106977	Clevis	-	each
13	SCREW.1136	8-32 3/8" PPHMS w/Sems	-	10
14	AXLE.1007	Clevis Assembly Axle	-	10
15	SCREW.1043	10-32 3/8" UFPHMS Screw	-	10
16	4270106745	Lift Lever	-	each
17	4270106772	Pivot Pin	-	each
18	KEY.10020	Hex Dogging Key 5/32"	-	10
19	WASHER.107	#8 Washer Hi-Collar	-	10
20	4270106888	1590 Retractor-Sgl Dr 1 3/4" (Only furnished with 1592/3/4/5)	-	each
	4270107422	1590 Retractor-Sgl Dr 2 1/4" (Only furnished with 1592/3/4/5)	-	each
	4270107520	1590 Retractor-Pair w/Mullion 1 3/4" Dr (Only furnished with 1592/3/4/5)	-	each
	4270107521	1590 Retractor-Pair w/Mullion 2 1/4" Dr (Only furnished with 1592/3/4/5)	-	each

1490 Base Plate Assemblies

	4270107061	1490 Baseplate Assembly LHR 36"	-	each
	4270107048	1490 Baseplate Assembly LHR 48"	-	each
	4270107047	1490 Baseplate Assembly RHR 36"	-	each
	4270107060	1490 Baseplate Assembly RHR 48"	-	each
	4270107089	1590 Baseplate Assembly 36"	-	each
	4270107090	1590 Baseplate Assembly 48"	-	each

EXITS

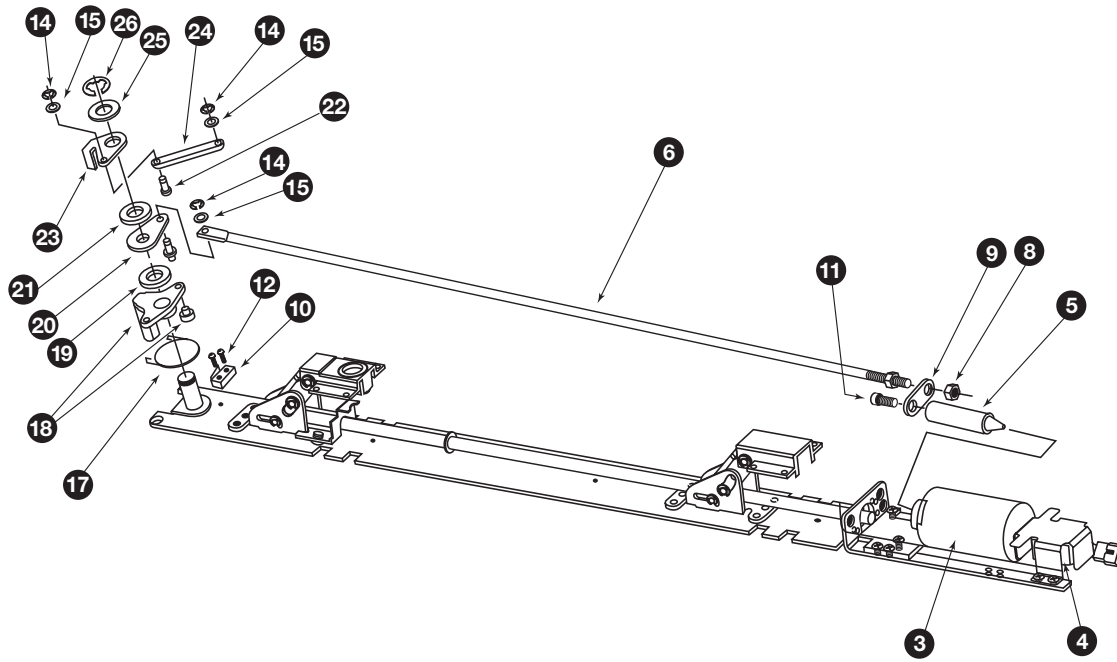
Pushpads

Commercial /
Medium Duty

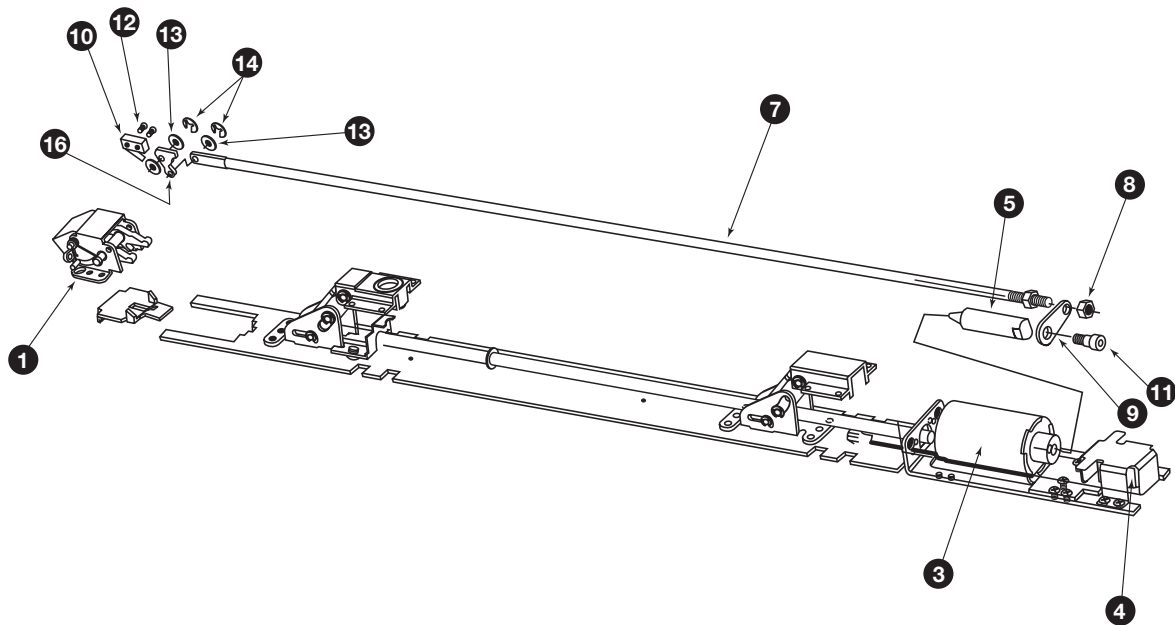
1490 / 1590
Series

Activating Baseplate Assembly

EL1490



EL1590



Prices subject to change without notice

Activating Baseplate Assembly

	Part No.	Description	Finish	Pkg. Qty	Price	
	1	4270107623	EL1590 Latchbolt Assembly 36"	-	each	373.00
		LATCHR.102	EL1590 Latchbolt Assembly 48"	-	each	379.00
2	4270108763	S1590 Latchbolt Assembly	-	each	278.00	
3	SOLENOID.142	EL Solenoid	-	each	245.00	
4	050534-00	EL Potted Circuit Breaker	-	each	314.00	
5	PLUNGER.101	EL Solenoid Plunger	-	each	74.00	
	110388-00	EL Cable Assembly (not shown)	-	each	47.00	
6	4270107193	EL1490 Pull Rod 36"	-	each	38.00	
	4270107361	EL1490 Pull Rod 48"	-	each	45.00	
7	4270107342	EL1590 Push Rod 36"	-	each	45.00	
	4270107360	EL1590 Push Rod 48"	-	each	60.00	
8	NUT.103	1/4-20 Hex Nut	-	10	6.50	
9	4270107341	EL1590 Link	-	each	7.50	
10	SWITCH.1002	Subminiature Switch Assembly 36"	-	each	67.00	
	SWITCH.1004	Subminiature Switch Assembly 48"	-	each	73.00	
11	SCREW.1061	1/4-20 29/32" Soc Shoulder Screw	BLACK	10	36.00	
	SCREW.1136	8-32 3/8" PPH w/Sems Machine Screw	-	10	36.00	
12	SCREW.1063	2-56 RHMS Screw	-	10	7.50	
	SCREW.1065	8-32 1/4" PPH MS Typ 2A Screw	-	10	6.50	
14	RRING.105	Retaining Ring .188	-	10	13.00	
15	WASHER.103	Link Washer	-	10	23.00	
16	LEVER.103	EL1590 Release Lever Assembly	-	each	77.00	
17	4270107429	EL1490 Lift Lever Spring-LHR	-	each	9.50	
	4270107430	EL1490 Lift Lever Spring-RHR	-	each	9.50	
18	LEVER.104	EL1490 Lift Lever Sub-Assembly LHR	-	each	36.00	
	LEVER.105	EL1490 Lift Lever Sub-Assembly RHR	-	each	36.00	
19	4270107194	EL Lift Lever Spacer	-	each	15.00	
20	4270107192	EL1490 Pivot Bracket	-	each	9.50	
21	4270109142	Lift Lever Washer	-	each	14.00	
22	4270107186	Link Pin	-	each	8.50	
23	4270107188	EL1490 Lift Lever Bracket-LHR	-	each	9.50	
	4270107189	EL1490 Lift Lever Bracket-RHR	-	each	9.50	
24	4270106773	1490 Link	-	each	13.00	
25	WASHER.102	Lift Lever Washer	-	10	22.00	
26	RRING.104	Retaining Ring .500	-	10	15.00	
27	4270107363	Pivot Pin YZNC STL	-	each	4.50	

S1490/S1590 Baseplate Assemblies

	BASEASY.210	S1490 Baseplate Assembly LHR 36"	-	each	982.00
	BASEASY.211	S1490 Baseplate Assembly LHR 48"	-	each	1,039.00
	BASEASY.208	S1490 Baseplate Assembly RHR 36"	-	each	982.00
	BASEASY.209	S1490 Baseplate Assembly RHR 48"	-	each	1,039.00
	BASEASY.220	S1590 Baseplate Assembly 36"	-	each	843.00
	BASEASY.221	S1590 Baseplate Assembly 48"	-	each	903.00

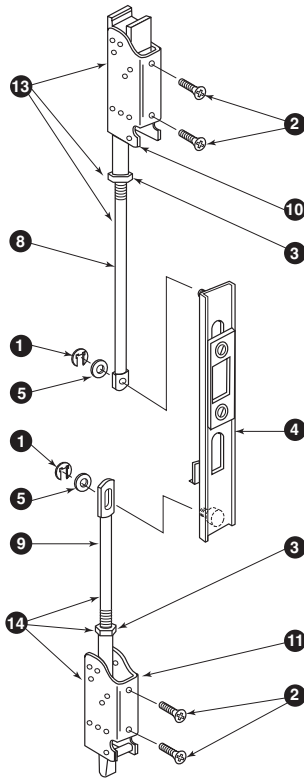
EL1490/EL1590 Baseplate Assemblies

	KIT.1011	EL1490 Conversion Kit LHR 36"	-	each	1,025.00
	KIT.1010	EL1490 Conversion Kit RHR 36"	-	each	1,025.00
	KIT.1013	EL1490 Conversion Kit LHR 48"	-	each	1,025.00
	KIT.1012	EL1490 Conversion Kit RHR 48"	-	each	1,025.00
	KIT.1008	EL1590 Conversion Kit 36"	-	each	1,025.00
	KIT.1009	EL1590 Conversion Kit 48"	-	each	1,025.00

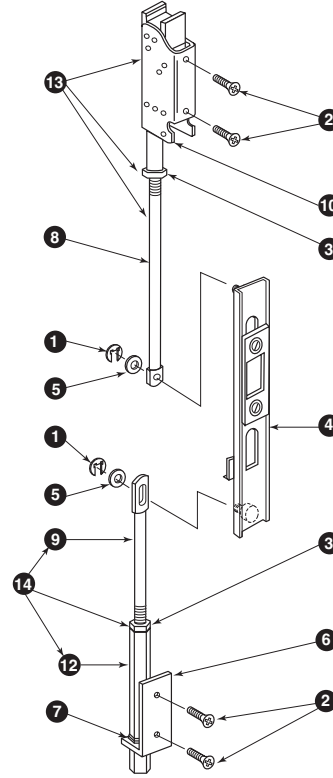
Prices subject to change without notice

Rod Assembly

Standard Rod Assembly



EL Rod Assembly

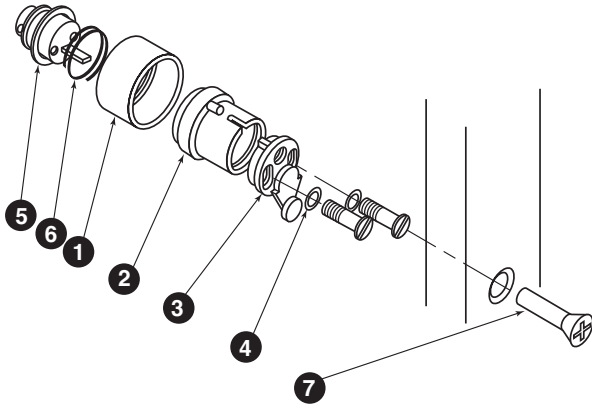


Part No.	Description	Finish	Pkg. Qty	Price
1	RRING.103 Retaining Ring .250	-	25	13.00
2	SCREW.1028 10-32 1/4" UFPH Screw	US32D	10	25.00
	SCREW.1029 10-32 1/4" UFPH Screw	BLACK	10	25.00
3	NUT.101 3/8-24 Jam Nut	-	10	25.00
4	4270106796 Lift Bracket Assembly	-	each	66.00
	4270107495 EL Lift Bracket Assembly	-	each	76.00
5	WASHER.116 Rod Washer	-	10	16.00
6	4270108426 EL Hex Rod Guide Assembly	US32D	each	47.00
	GUIDE.101 EL Hex Rod Guide Assembly	P35	each	47.00
7	BUSH.107 EL Hex Bushing	-	10	25.00
	GUIDE.102 HH Hex Rod Guide Assembly	P35	each	68.00
8	4270106776 Top Rod 35.000"	-	each	63.00
9	4270106775 Standard Bottom Rod 31.625"	-	each	63.00
	4270109003 EL Bottom Rod 34.625"	-	each	70.00
10	4270105926 EL Top Latch	-	each	156.00
	4270101806 SU Top Latch	-	each	116.00
11	4270100521 RL Bottom Latch	-	each	99.00
12	4270101830 Hex Bottom Bolt	-	each	42.00
13	RODASY.110 1490 Top Rod Assembly 7' Dr	-	each	183.00
	4270109078 EL1490 Top Rod Assembly 7' Dr	-	each	221.00
14	RODASY.112 Bottom Rod Assembly	-	each	109.00
	4270109077 EL1490 Bottom Rod Assembly	-	each	119.00
15	4270106782 1490 Top/Btm Rod Assembly 7' Dr	-	each	354.00
	4270107497 EL1490 Top/Btm Rod Assembly 7' Dr	-	each	396.00
	4270107791 Extension Rod Kit over 7' up to 10' Drs	-	each	129.00

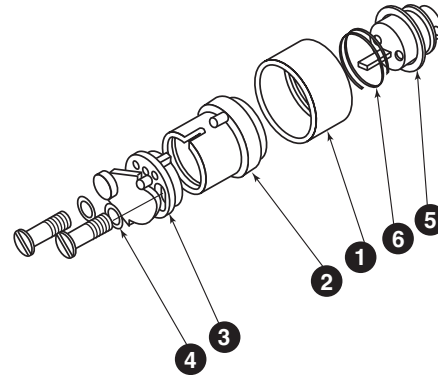
Prices subject to change without notice

Cylinder Assembly

1490



1590



Cam Assembly



Hold Back



Night Latch

	Part No.	Description	Finish	Pkg. Qty	Price	
1	4270107213	Cylinder Collar 1.00"	P28	each	25.00	
	4270107214	Cylinder Collar 1.00"	P13	each	25.00	
	4270107215	Cylinder Collar 1.00"	P35	each	25.00	
	4270109005	Cylinder Collar 7 Pin 1.25"	P28	each	37.00	
	4270109006	Cylinder Collar 7 Pin 1.25"	P13	each	37.00	
	4270109007	Cylinder Collar 7 Pin 1.25"	P35	each	37.00	
	2	4270107286	Cylinder Tube w/Pin 1 3/4" DR	-	each	39.00
4270107833		Cylinder Tube w/Pin 2" DR	-	each	68.00	
4270107787		Cylinder Tube w/Pin 2 1/4" DR	-	each	68.00	
4270109009		Cylinder Tube w/Pin 7 Pin 1 3/4" DR	-	each	68.00	
4270109190		Cylinder Tube w/Pin 7 Pin 2" DR	-	each	68.00	
4270109630		HH Cylinder Tube w/Pin 2 3/8" DR	-	each	47.00	
CTUBE.232		HH Cylinder Tube w/Pin 7 Pin 2 3/8" DR	-	each	74.00	
3	4270107268	1490 NL Cam Assembly	-	each	33.00	
	4270107270	1490 HB Cam Assembly	-	each	33.00	
	4270107283	1590 NL Cam Assembly	-	each	33.00	
	4270107285	1590 HB Cam Assembly	-	each	33.00	
4	WASHER.108	Cylinder Adaptor Washer	-	10	16.00	
	5	WASHER.109	Cylinder Lock Washer	CZNC	10	23.00
		WASHER.110	Cylinder Lock Washer	BLACK	10	23.00
6	SPRING.105	Cylinder Collar Spring	-	10	10.50	
7	SCREW.1105	12-24 1.1/2" UFPHMS Screw	CZNC	10	26.00	
	SCREW.1099	12-24 1.1/2" UFPHMS Screw	BLACK	10	25.00	

Prices subject to change without notice