



M34R SERIES

500 lbs Holding Force

Recessed Magnalock® for Traffic Control on a Sliding Door

The M34R secures single sliding doors with Magnalock strength for traffic control applications within a monitored perimeter. The recessed design on the edge of the door that comes against the frame when the door is closed conceals the maglock for hidden protection that blends with the aesthetics of the opening. Works great on automatic single sliding doors or on sliding doors for patios, storage closets and more.

PRODUCT FEATURES

- Recessed for aesthetically appealing finish
- Fully sealed for weather-proof operations
- 10 ft. [3.05m] of jacketed, stranded conductor cable
- Automatic dual-voltage - no field adjustment required
- Instant release circuit - no residual magnetism
- Noise suppression with included MOV
- Efficient, low power usage
- Rust resistant - all ferrous metal surfaces plated for durability
- MagnaCare® lifetime replacement, no fault warranty

PRODUCT OPTIONS

- (B) BondSTAT™ magnetic bond sensor - Patented (MBS)
- (D) Integrated door position switch (DPS)

SPECIFICATIONS

- UL 10C Listed
- CAN4-S104, CAN/ULC-S533 Listed
- UL 294 Recognized Component
- CSFM- California State Fire Marshal Approved
- CE: EN 50081-1(92), EN 61000-6-2(99) Approved
- Patent: 8,094,017

Holding Force:
500 lbs [227kg]

Dimensions:
Magnalock: 10-1/2" L x 1-1/8" D x 1-1/2" H
Strike: 6-3/8" L x 1/2" D x 1-7/16" H

Electrical:
320 mA at 12 VDC
170 mA at 24 VDC

Operating Temperature:
-40 to +140F [-40 to +60C]
Indoor or Outdoor use

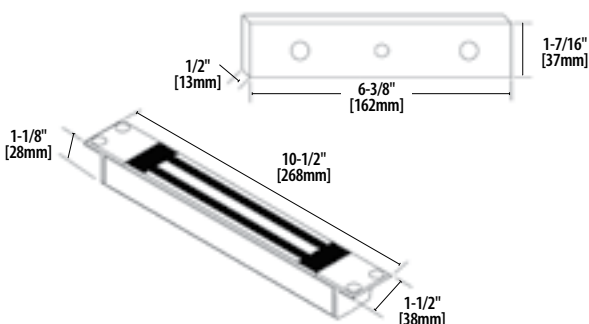
Shipping Weight:
5 lbs [2.23kg]

Finishes:
US32D/630 - Satin Stainless Steel

» MODELS

PART # | Description

| | |
|--------|--------------------------|
| M34R | M34 - Recessed |
| M34RB | M34 - Recessed, MBS |
| M34RBD | M34 - Recessed, MBS, DPS |
| M34RD | M34 - Recessed, DPS |



DUAL VOLTAGE



GRADE 1



FIRE RATED

SECURITRON
ASSA ABLOY