

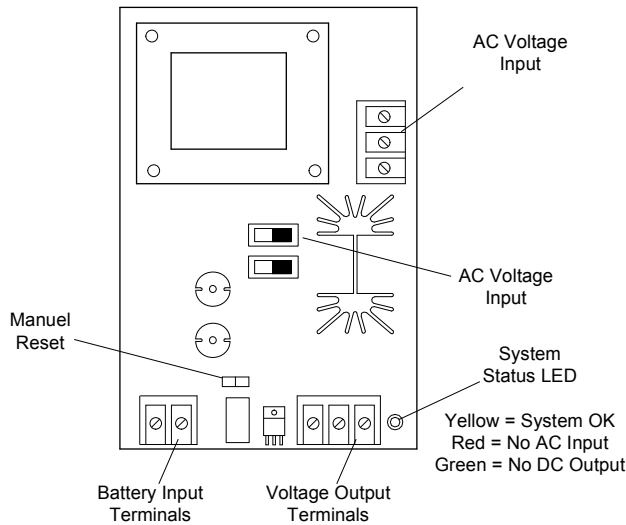


**SECURITY DOOR CONTROLS**  
 801 Avenida Acaso, Camarillo, Ca. 93012  
 (805) 494-0622 • Fax: (805) 494-8861  
 www.sdcsecurity.com • E-mail: service@sdsecurity.com

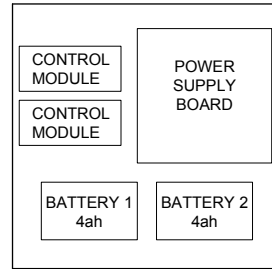
**SPECIAL APPLICATIONS POWER SUPPLY  
 INSTALLATION INSTRUCTIONS**

**MODEL 602RF**

**MODEL 602RF**

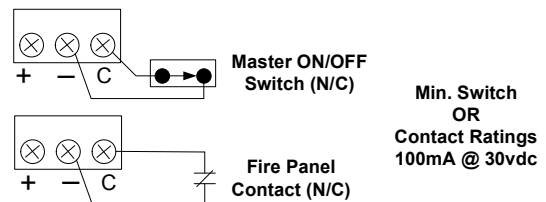


**COMPONENT LOCATIONS**



**STANDARD BOX**

**MAIN SYSTEM ON-OFF  
 OR  
 FIRE PANEL CONNECTION**



**Figure C**

**POWER SUPPLY SPECIFICATIONS**

**Input Voltage: 115/230 VAC @ 60hz**  
**Input Current: 0.8 amps Max.**

**Output Voltage: 12/24VDC (Special Applications)**  
**Burglary Use:**

**Output Voltage Ranges:**  
 12 V Operation: 9.2 – 12.0 VDC  
 24 V Operation: 21.2 – 24.0 VDC

**Output Current: 1.0 amps**  
**Ripple Voltage: 0.05 Volts Max**

**Battery Charger Max Current: 0.25 amps**  
**Maximum recommended battery size: 4ah**  
**(Replace batteries every three years)**

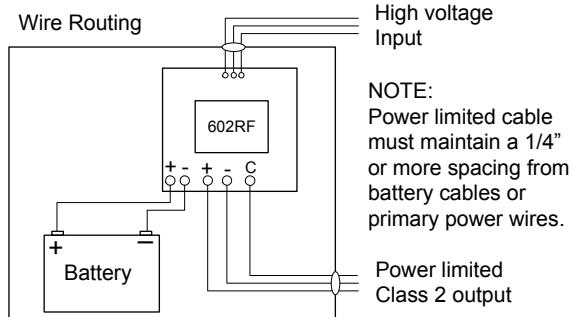
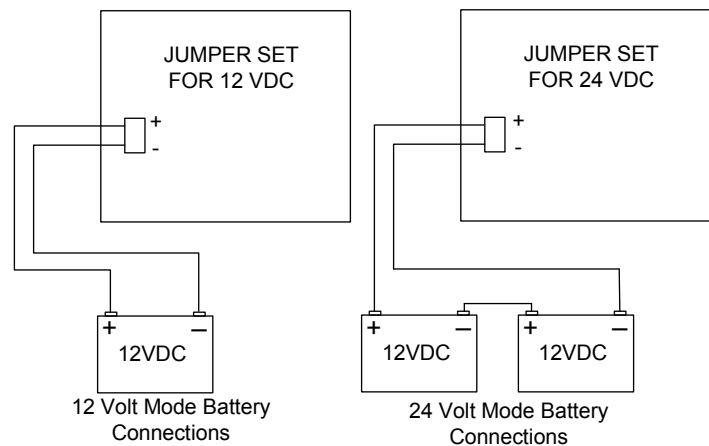
**To determine standby battery capacity, refer to  
 Batter Discharge table (INST-BDT).**

**Compatible UL listed Fire Devices:**  
**Smoke detector manufactured by ESL, Model 521B,  
 521BXT with Model 506 module.**

**Suitable Uses:**  
**Electric Lock Power Supply**  
**Access Control Power Supply**  
**Burglar Alarm System Power Supply**  
**Fire Protective Signaling Service**

**NOT INTENDED TO POWER A LOCAL  
 BURGLAR ALARM INDICATING DEVICE.**

**TEST UNIT YEARLY**





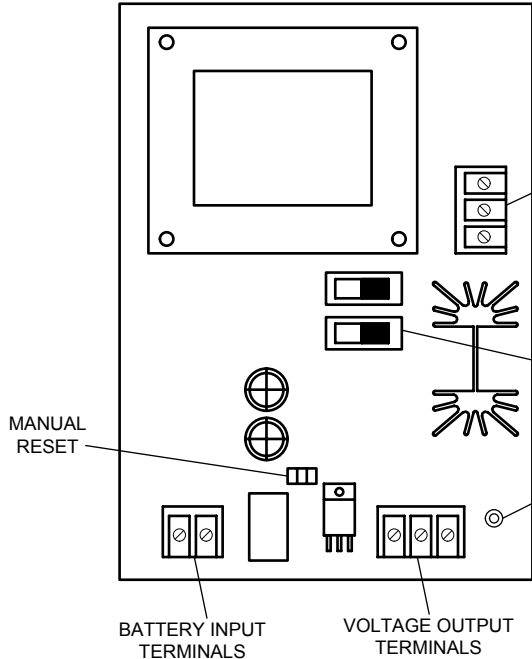
# Security Door Controls

801 Avenida Acaso, Camarillo, Ca. 93012  
(805) 494-0622 • Fax: (805) 494-8861  
www.sdcsecurity.com • E-mail: service@sdsecurity.com

## SPECIAL APPLICATIONS POWER SUPPLY INSTALLATION INSTRUCTIONS

### MODEL 602RF-CUL

#### MODEL 602RF-CUL



AC VOLTAGE INPUT

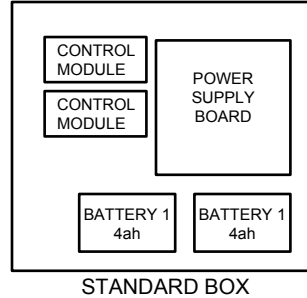
VOLTAGE SELECT SWITCHES

**SYSTEM STATUS**  
YELLOW – SYSTEM OK  
RED – ON BATTERY PWR  
GREEN – NO DC OUTPUT

BATTERY INPUT TERMINALS

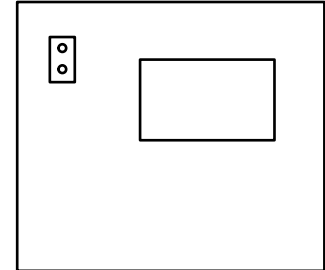
VOLTAGE OUTPUT TERMINALS

#### COMPONENT LOCATIONS



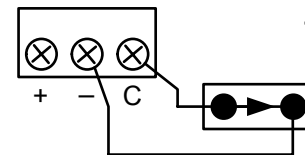
STANDARD BOX

#### COVER



**BATTERY MONITOR LEDS**  
GRN = AC  
RED = BATTERIES  
ORG = NO/LO BATTERY

#### MAIN SYSTEM ON-OFF



Min. Switch or Contact Ratings  
100mA @ 30VDC

Master ON/OFF Switch (N/C)

#### POWER SUPPLY SPECIFICATIONS

Input Voltage: 115 VAC @ 60hz  
Input Current: 0.8 amps Max.

Output Voltage: 12/24VDC (Special Applications)  
Burglary Use:

Output Voltage Ranges:

12 V Operation: 9.2 – 12.0 VDC

24 V Operation: 21.2 – 24.0 VDC

Output Current: 1.0 amps

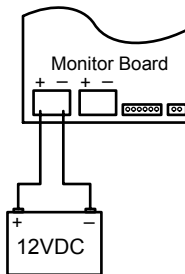
Ripple Voltage: 0.05 Volts Max.

Battery Charger Max. Current: 0.25 amps  
Maximum recommended battery size: 4ah  
Recommended Battery: SDC Model RB12V4  
(Replace batteries every 3 years)

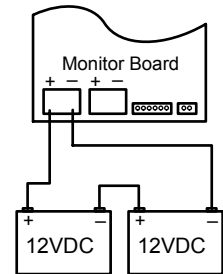
To determine standby battery capacity refer to  
Battery Discharge Table (INST-BDT).

Suitable Uses:  
Electric Lock Power Supply  
Access Control Power Supply

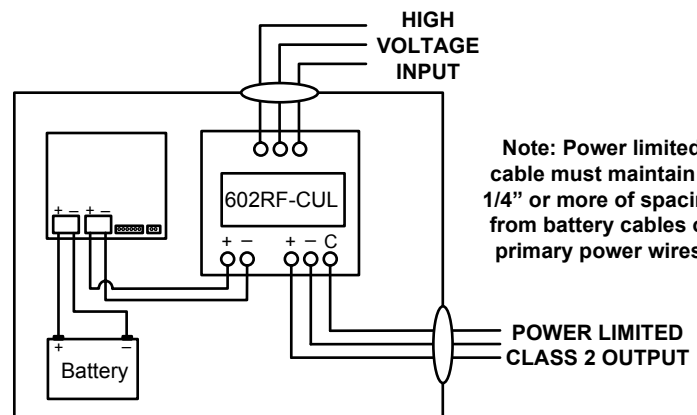
#### TEST UNIT ANNUALLY



12 Volt Mode Battery Connections



24 Volt Mode Battery Connections



Note: Power limited cable must maintain a 1/4" or more of spacing from battery cables or primary power wires.

POWER LIMITED CLASS 2 OUTPUT