

For door thickness not listed, use next smaller size.

Door Size	Dim. A	Dim. B	Max. Lead Thk.
1-3/4 (44.5)	1-1/4 (31.8)	1/4 (6.4)	9/32 (7.1)
2" (50.8)	1-3/8 (34.9)	5/16 (7.9)	3/8 (9.5)
2-1/4 (57.2)	1-1/2 (38.1)	3/8 (9.5)	15/32 (11.9)
2-1/2 (63.5)	1-5/8 (41.3)	7/16 (11)	9/16 (14.3)
3" (76.2)	2" (50.8)	1/2 (12.7)	3/4 (19)

1. Arm drilled to receive 1/4-20 x 1" FHMS or #14 x 2" FHWS.
2. For Wood Doors: pre-drill Arm & Top Pivot holes to prevent splitting.
3. If vertical adjustment is required two 1/16" shims are provided. Place shims between arm and spindle shoulder collar.

**Notes:**

1. Do not scale drawing.
2. Right hand shown.
3. Suitable reinforcing by others.
4. Leadlining by others.
5. Maximum weight limitation is 800 lbs.
6. All dimensions are in inches (mm).

## L177 Pivot Set for Lead Lined Doors 3/4" Offset, Handed

**RIXSON**  
ASSA ABLOY

www.rixson.com

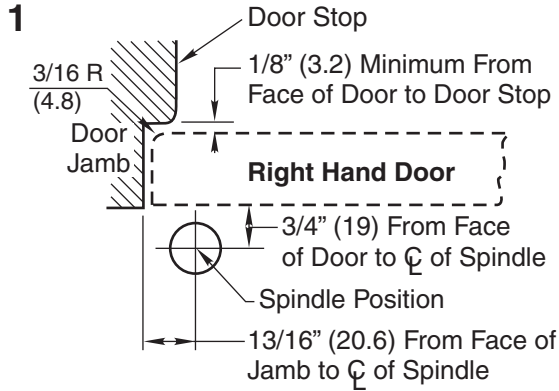
TEMPLATE NUMBER

**IS-L147**

DATE

**10-16**

# L147 Pivot Set

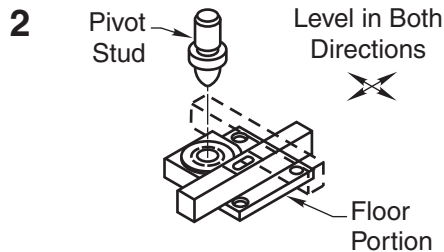


## 1. Install Pivot

- Measure 13/16" (20.6) out from door jamb.
- Allow 1/8" (3.2) min. clearance from door stop to door face. Measure door thickness. Add 3/4" (19).
- Where lines meet determines center line of closer.

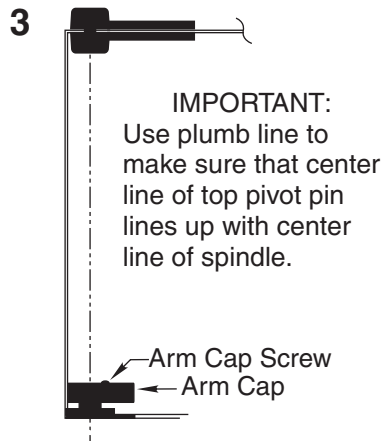
## 2. Set Pivot Set

- Prepare floor to receive floor portion. SET ANCHORS PROVIDED SECURELY IN FLOOR.
- Important:** Floor portion must be level. Level in both directions per illustration.
- Floor portion should be parallel with center line of door.
- Insert pivot stud in floor portion.



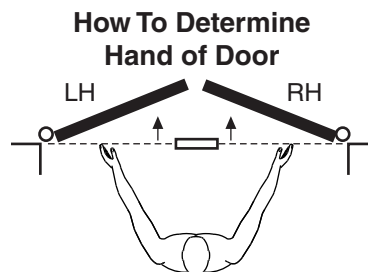
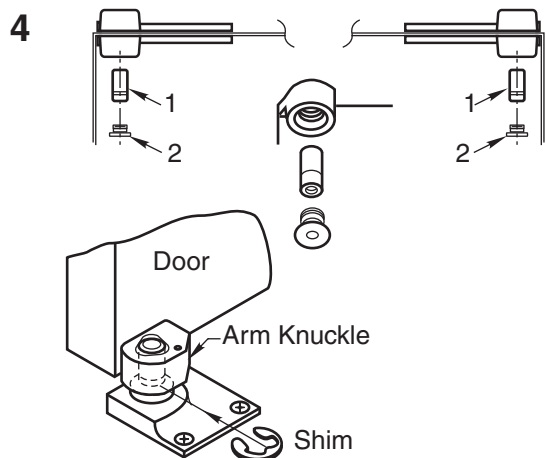
## 3. Install Top Pivot & Bottom Arm

- Install top pivot in door per template.
- Install top pivot in frame per template.
- Install arm in door per template.
- Center line of pivot should line up with center line of spindle. Use plumb line as illustrated.
- If side jamb pivot is used, see required template.



## 4. Hang Door

- Set door on pivot set spindle.
- Push Item 1 "top pivot pin" into place. Attach "cap" Item 2. CAP MUST BE TIGHTENED SECURELY.
- See Installation Instructions for ML19 Intermediate Pivot.
- If door drags at floor (or threshold, if used) loosen arm locking screw and raise door to desired clearance and insert one or more 1/16" (1.6) shims. Retighten arm locking screw securely.
- Put arm cap on arm and secure tightly with cap screw furnished.



Face a door swinging open away from you. If it opens to the right, it is right hand. If it opens to the left, it is left hand.

**L147 Pivot Set for Lead Lined Doors  
3/4" Offset, Handed**

**RIXSON**  
ASSA ABLOY

www.rixson.com

TEMPLATE NUMBER

**IS-L147**

DATE

**10-16**