

ELECTROMAGNETIC DOOR HOLDER/RELEASES WALL MOUNTED

MODEL 997

Application

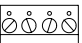
- Wall Mount
- Concealed Wiring
- ANSI/C00011

Product Description & Features

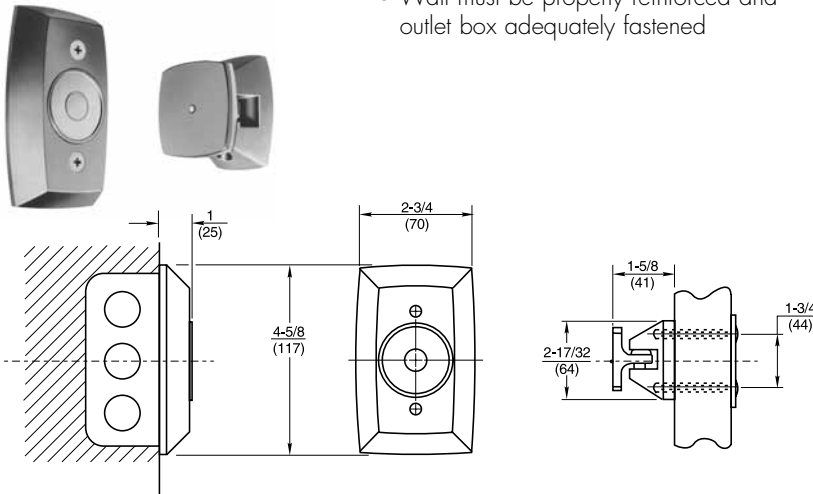
- Total Projection: 2-5/8" (67mm)
- Mounting Requirements: 2" x 4" x 1-3/4" (51 x 102 x 45mm) outlet box
- Wall must be properly reinforced and outlet box adequately fastened

Technical Information

- Voltage and Current:

120VAC, 60Hz., .020 amp	} 
24VAC/DC, 60Hz., .020 amp	
12VDC, .040 amp	
- For 50-55 lbs. of holding force, specify voltage

120VAC, 60Hz .017 amp
24VAC, 60Hz .080 amp
24VDC, .068amp
12VDC, .180amp
240VAC, 50/60Hz. .009 amp
- Shipping Weight: 2 lbs. (0.9 kg)



MODEL 998

Application

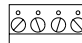
- Wall Mount
- Concealed Wiring
- ANSI/C00011

Product Description & Features

- Total Projection: 3-5/8" (92mm)
- Mounting Requirements: 2" x 4" x 1-3/4" (51 x 102 x 45mm) outlet box
- Wall must be properly reinforced and outlet box adequately fastened

Technical Information

- Voltage and Current:

120VAC, 60Hz., .020 amp	} 
24VAC/DC, 60Hz., .020 amp	
12VDC, .040 amp	
- For 50-55 lbs. of holding force, specify voltage

120VAC, 60Hz .017 amp
24VAC, 60Hz .080 amp
24VDC, .068amp
12VDC, .180amp
240VAC, 50/60Hz. .009 amp
- Shipping Weight: 2-1/2 lbs. (1.1 kg)

