

NOTES:

1. Do not scale drawing.
2. Non-tri voltage magnets have two non-polarized wires to be connected. Tri voltage magnets are connected using a terminal strip on back of magnet. One wire in common and one wire in the appropriate voltage terminal (non-polarized).
3. Suggested location of floor portion should allow door portion to be installed on pull side of door on bottom rail approximately 6" from lock edge of door. (See drawing above for door portion.)
4. Mount floor portion first. Then mount door portion, using marking template, after door has been adjusted to correct height. (See instruction sheet.)

5. If magnet does not hold, check the following:
 - a. Check if power is turned on.
 - b. Check power source voltage against magnet power requirements on inside of Cover and Magnet Assembly.
 - c. Check alignment of contact plate and magnet. They must make contact freely. If angular adjustment is necessary, repeat step 4 on instruction sheet DR100100B.
6. Maximum 1/2" conduit. See appropriate conduit locating instructions (templates DR100100B and DR100100C).
7. All dimensions given in inches.

**FM980 and FM981 Door Release
Floor Mounted**

RIXSON®

ASSA ABLOY

www.rixson.com

TEMPLATE NUMBER

DATE

DR100100A

02-09

INFORMATION REQUIRED:

1. Determine pivot point of door.
2. Determine door width (inches).
3. Determine maximum degree of door opening permitted by door closer, trim and partition.

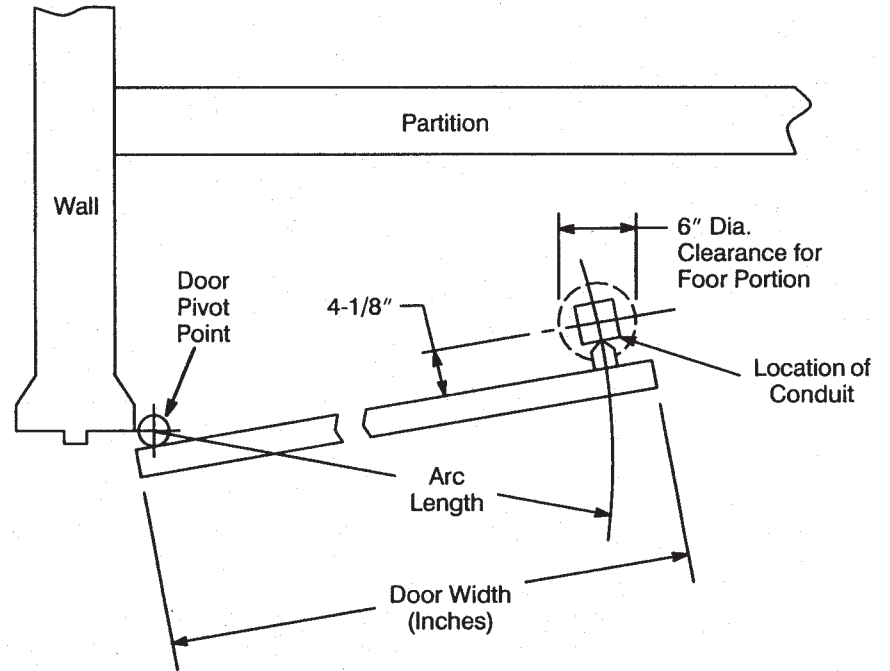
TO LOCATE CONDUIT:

1. Determine "arc length" (see drawing).
Arc Length = Width of Door (inches) minus 5-5/8".

Example: To determine "arc length" of 3'0" door.

Width of Door (inches)	36"
Minus	- 5-5/8"
Arc Length =		30-3/8"

2. Determine maximum degree of desired door opening (closer, trim or partition permitting). Allow a 6" diameter clearance around conduit and any partition for FM980 "Floor Portion". (See drawing.)
3. Conduit will be located on the arc and 4-1/8" from the pull side of door when the door is at the maximum degree of door opening.



**FM980 Door Release
Locations**

RIXSON

ASSA ABLOY

www.rixson.com

TEMPLATE NUMBER

DATE

DR100100B

02-09

INFORMATION REQUIRED:

1. Determine pivot point of door.
2. Determine door width (inches).
3. Determine maximum degree of door opening permitted by door closer (maximum degree of opening 130°).

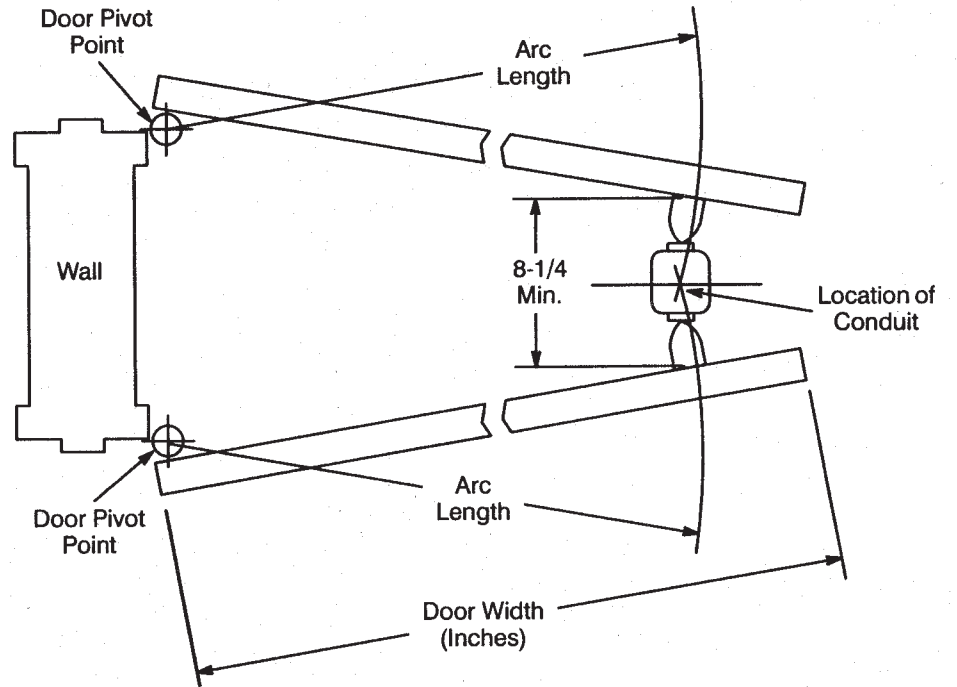
TO LOCATE CONDUIT:

1. Determine "arc length" (see drawing):
Arc Length = Width of Door (inches) minus 5-5/8".

Example: To determine "arc length" of 3'0" door.

Width of Door (inches)	36"
Minus	- 5-5/8"
Arc Length =		30-3/8"

2. Strike "arc lengths" from pivot points of doors. Conduit will be located where the two arcs intersect. (See drawing.)
3. 8-1/4" minimum space required between pull sides of doors for full 90° opening. (Maximum degree of door opening 130°).



**FM981 Door Release
Locations**

RIXSON

ASSA ABLOY

www.rixson.com

TEMPLATE NUMBER

DATE

DR100100C

02-09