

The device has two different functions

* Default - Extended Bypass - If the unit is turned on and the door is open after the arming delay, the alarm will arm when the door closes. If the door is closed and armed, when the door is opened the alarm sounds.

Timed Bypass - If the unit is turned on and the door is left open after the arming delay, the alarm will sound. If the door is closed and armed, when the door is opened the alarm sounds.

Key Operations

There is a slight delay when rotating the key.

The Detex exit alarm has a positive stop in both directions of the cylinder key rotation (8 o'clock to 2 o'clock).

The key removal/insertion position is 12 o'clock.

On position

Insert the key and turn the key counterclockwise(CCW) to 8 o'clock. Resistance will occur at 9 o'clock, turn key through the resistance to 8 o'clock, you may hear and feel a click. This is the on position. Turn the key back to the 12 o'clock position and remove key. NOTE: With keystone installed the on position is 12 o'clock; when the key is removed the device is turned on.

Off position

Insert the key and turn the key clockwise(CW) to 2 o'clock. Turn the key back to the 12 o'clock position and remove key.

NOTE: With keystone installed the key cannot be removed in the off position.

Operations Arming/Disarming (Real Time Switching- power does not need to be reset)

Close the door and secure the tamper screw, turn the key CCW. The red LED will blink twice then the green LED will be on solid for the arming delay time (default 15 seconds). After arming delay time, the green LED will turn off and the unit will beep three times to indicate the unit is armed. When the door opens, the alarm will sound. Turn the key CW to turn the alarm off.

Slide Switches:

Status Indicator

*Default Status Indicator off - the LEDs will not blink to indicate armed/disarmed

Status Indicator on - a LED will blink every 3 seconds to indicate armed/disarmed state

Red=armed Green=disarmed

Auto Rearm (AUTO REARM)

*Default Auto Rearm off - the unit will be in extended bypass and the unit requires a key to reset the alarm condition

Auto Rearm on - the unit will be in timed bypass and when in alarm, the unit will rearm in 2 minutes after the door is secured

Disable Low Battery (Dis Lo Bat)

*Default Disable Low Battery off - the unit will give a low battery signal every 45 seconds when the battery is low and needs to be replaced

Disable Low Battery on - the unit will not give a low battery signal when the battery is low or when a battery is not used

Extra wiring features

Remote bypass input - Terminals 3&4 can be wired to a dry open switch to allow authorized door access without alarm activation.

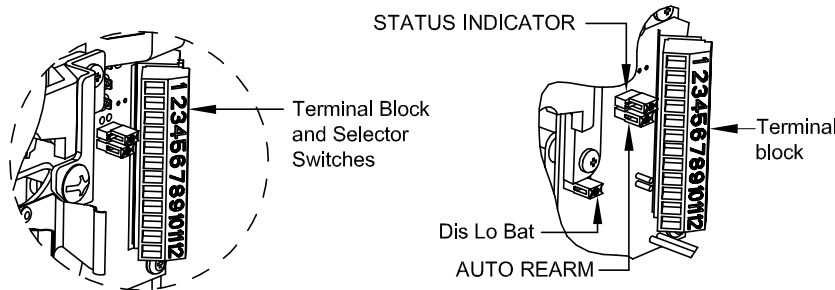
Call bell input - Terminals 7&8 can be wired to a dry open switch to activate the alarm for 3 seconds. Door bell feature.

Alarm Relay Output - Terminals 10, 11 & 12 can be wired to a dry contact input, the relay is triggered when the alarm sounds.

*As shipped from DETEX

Wiring		
Terminal Block		Description
1	Power (AC or DC+)	12-24V
2	Power (AC or DC-)	
3	Remote Bypass (Open Contact)	Close to Activate
4	Remote Bypass (Common)	
5	Magnetic Door Switch (Closed Contact, Door Secure)	Open to Activate
6	Magnetic Door Switch (Common)	
7	Call Bell	Close to Activate
8	Call Bell	
9	Not used	
10	Remote Signal (Common)	Alarm Relay Contacts Contacts rated at 1.0A @ 30VDC or 0.5A @ 125VAC
11	Remote Signal (Open)	
12	Remote Signal (Closed)	

Status Indicator	Auto Rearm	Selector Switch Modes
*OFF	*OFF	No Status indication. Device is in Extended Bypass Mode.
OFF	ON	No status indication. Device is in Timed Bypass Mode.
ON	ON	Status indication active. Device is in Timed Bypass Mode.
ON	OFF	Status indication active. Device is in Extended Bypass Mode.



Activate/De-activate Silent Arming (No 3-Beeps): Remove all power and open the door/ door contacts. Turn key fully CW to disarm the unit. Hold the Call Bell button (terminals 7&8) closed and apply power. Use a jumper wire if the Call Bell feature is not used. Red and Green LED's flash and siren chirps twice, after approximately 5 seconds release the Call Bell or remove jumper and install unit per instructions.



Detex Corporation, 302 Detex Drive, New Braunfels, Texas 78130-3045
 (830)629-2900 / 1-800-729-3839 / Fax (830)620-6711
 E-MAIL: detex@detex.com INTERNET: www.detex.com

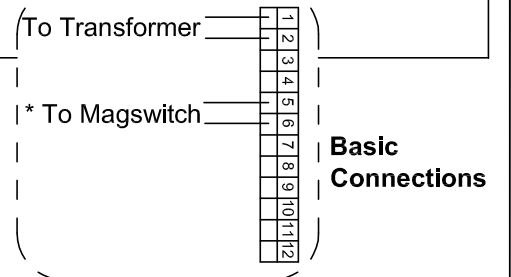
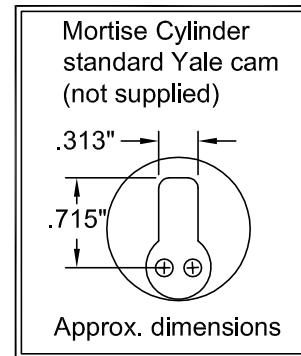
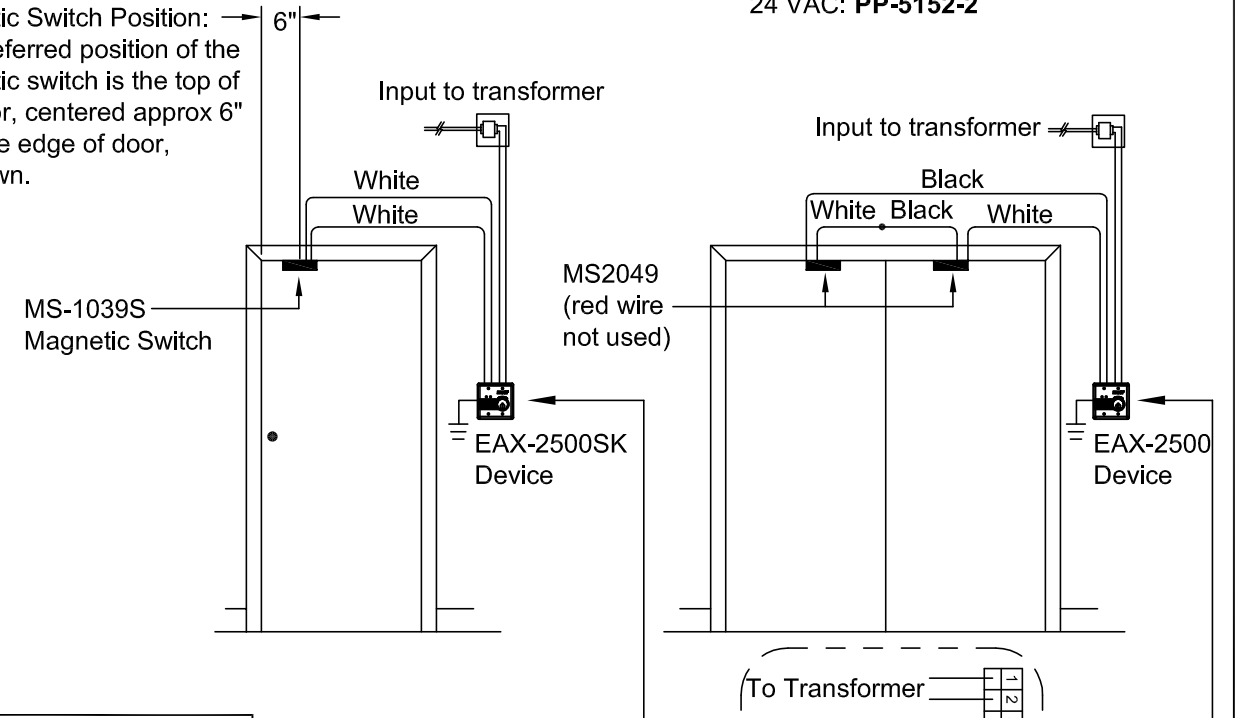
INSTALLATION INSTRUCTIONS FOR EAX-2500 EXIT ALARM

P/N 102700
 Product varies based on configurable options ordered

SI=Status Indicator
L9=Less 9V Battery

Transformer necessary but not included in all kits. Order separately as required.
 Detex p/n:
 12 VAC: **PP-5152-3**
 24 VAC: **PP-5152-2**

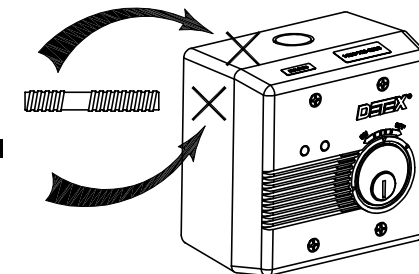
Magnetic Switch Position:
 The preferred position of the magnetic switch is the top of the door, centered approx 6" from the edge of door, as shown.



* Use magnetic switch contacts that are closed when door is secure. See magnetic switch documentation for more info.

WARNING

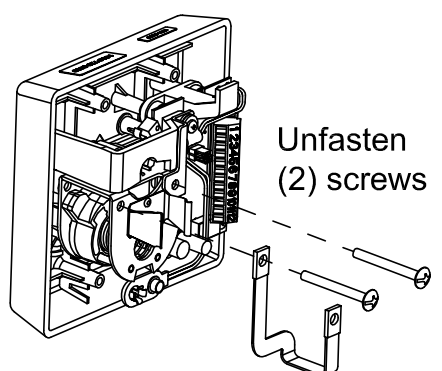
Do not bring the conduit into the top left corner of the back box. This can interfere with the normal operation of the tamper lever function.



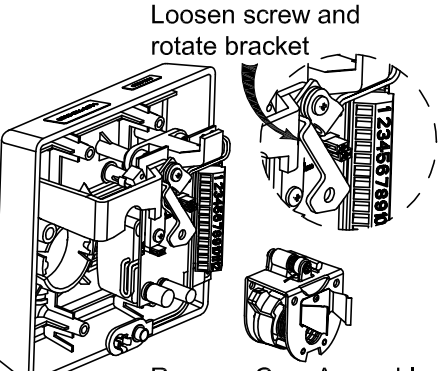
1. Supplied ground strap **MUST** be connected from back box.
2. Back box **MUST** be grounded per National Electrical Code requirements.
3. Ground strap **MUST** be as short as possible.
4. Units are shipped with ground strap installed.

STEP 1-5: PREP DEVICE

1 Remove cam assembly from cover:
Unfasten (2) screws

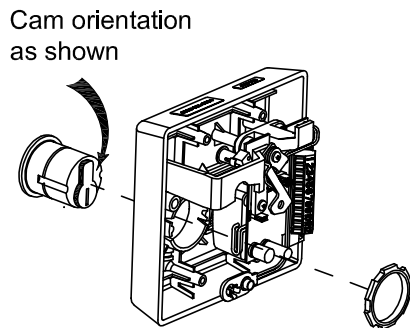


Loosen screw and rotate bracket



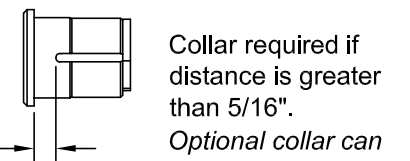
Remove Cam Assembly

2 Install mortise cylinder with cylinder nut provided:
Cam orientation as shown



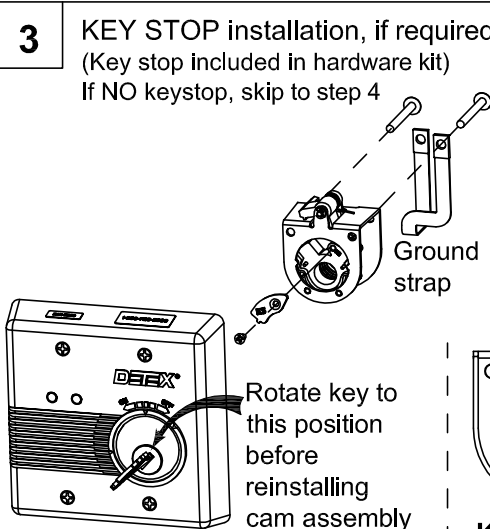
*Mortise cylinder uses Yale Cam

If 7-pin cylinder is used - OBSERVE



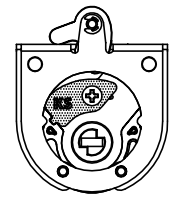
Collar required if distance is greater than 5/16".
Optional collar can be ordered from Detex (p/n: ECL-1595)

3 KEY STOP installation, if required:
(Key stop included in hardware kit)
If NO keystone, skip to step 4



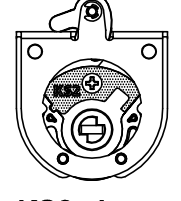
Ground strap

Rotate key to this position before re-installing cam assembly



KS shown

KS used with standard Yale style cam

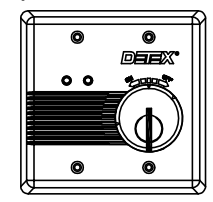


KS2 shown

KS2 used with Adams Rite small style cam

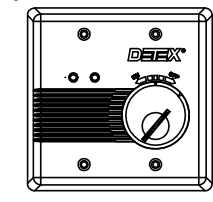
KEY STOP POSITIONS

"ON" position
(Key can be removed)



Key shown in 90° stop "ON" position

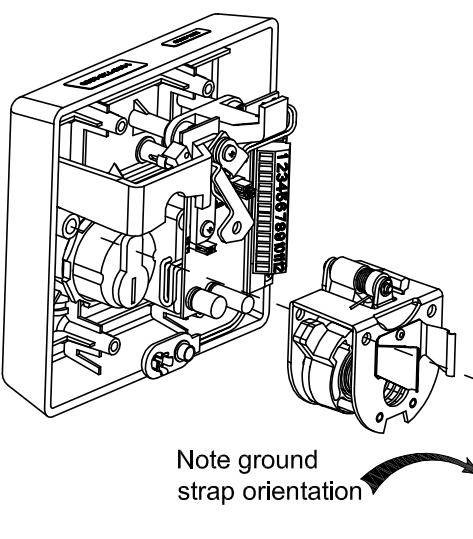
"OFF" position
(Key cannot be removed)



Key shown in "OFF" position

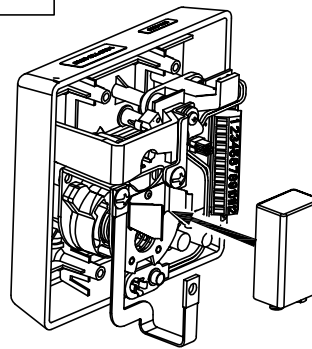
Back View

4 Re-install cam assembly:

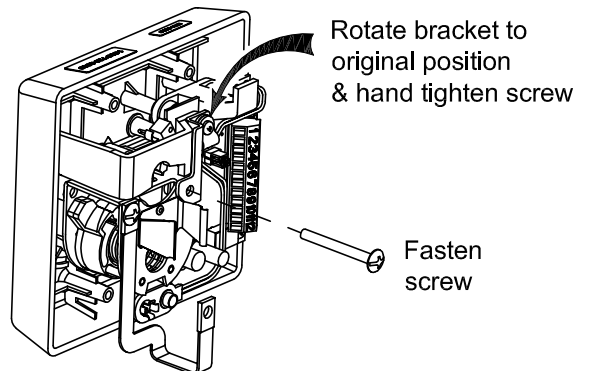


Note ground strap orientation

5 Install 9-volt battery:



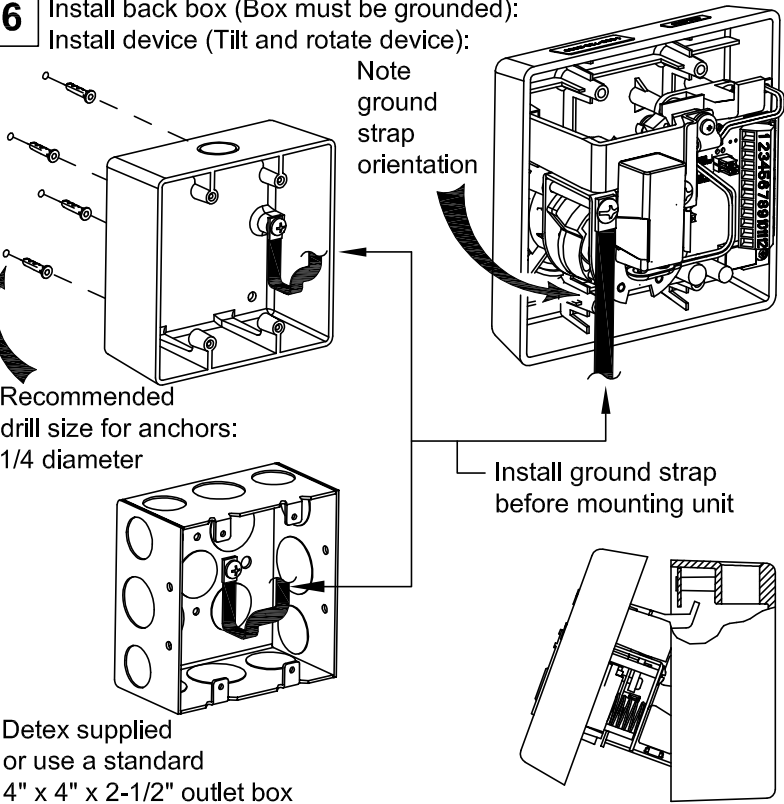
Rotate bracket to original position & hand tighten screw



Fasten screw

STEP 6-7: INSTALL DEVICE

6 Install back box (Box must be grounded):
Install device (Tilt and rotate device):



Note ground strap orientation

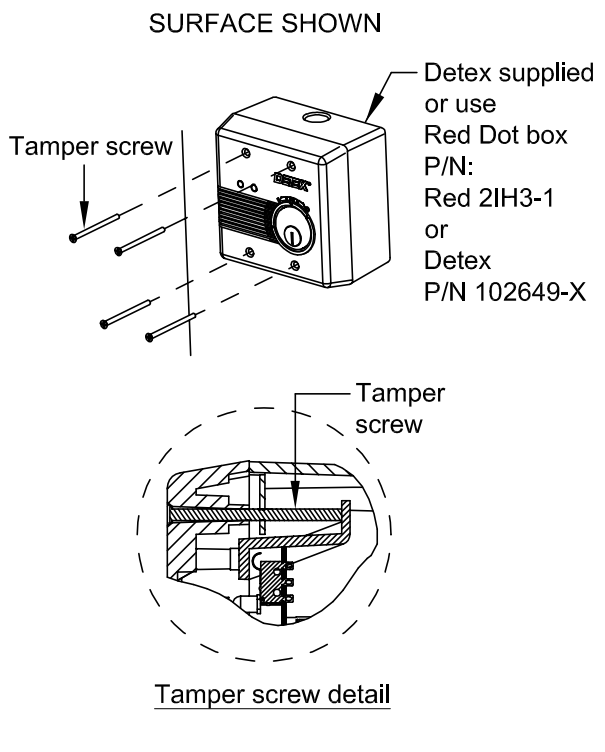
Recommended drill size for anchors: 1/4 diameter

Install ground strap before mounting unit

Detex supplied or use a standard 4" x 4" x 2-1/2" outlet box

7 Install device with (4) #6-32 x 2-1/8" screws:

SURFACE SHOWN



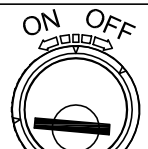
Detex supplied or use Red Dot box P/N: Red 2IH3-1 or Detex P/N 102649-X

Tamper screw

Tamper screw detail


Key Orientation

ON OFF



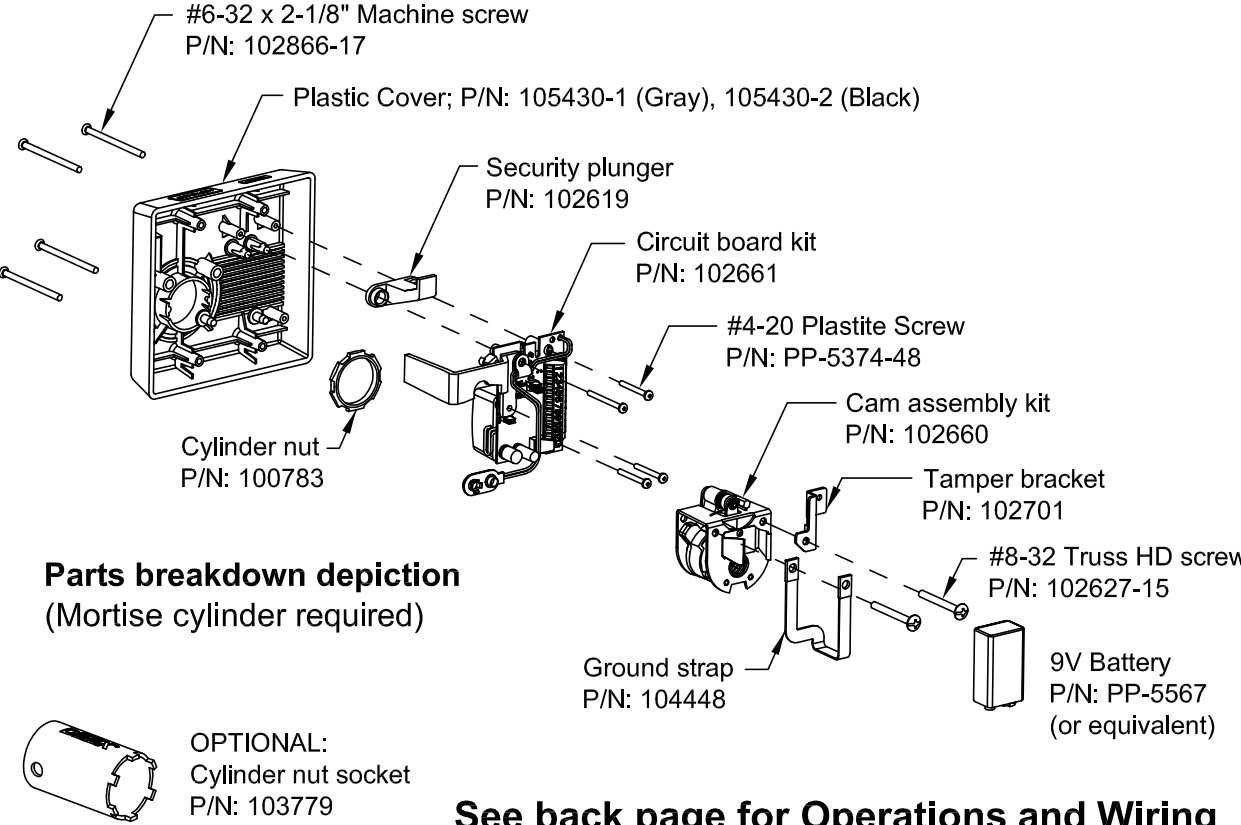
"ON" position

ON OFF



"OFF" position

Parts breakdown depiction (Mortise cylinder required)



- #6-32 x 2-1/8" Machine screw P/N: 102866-17
- Plastic Cover; P/N: 105430-1 (Gray), 105430-2 (Black)
- Security plunger P/N: 102619
- Circuit board kit P/N: 102661
- #4-20 Plastite Screw P/N: PP-5374-48
- Cam assembly kit P/N: 102660
- Tamper bracket P/N: 102701
- #8-32 Truss HD screw P/N: 102627-15
- 9V Battery P/N: PP-5567 (or equivalent)
- Ground strap P/N: 104448
- Cylinder nut P/N: 100783
- OPTIONAL: Cylinder nut socket P/N: 103779

See back page for Operations and Wiring