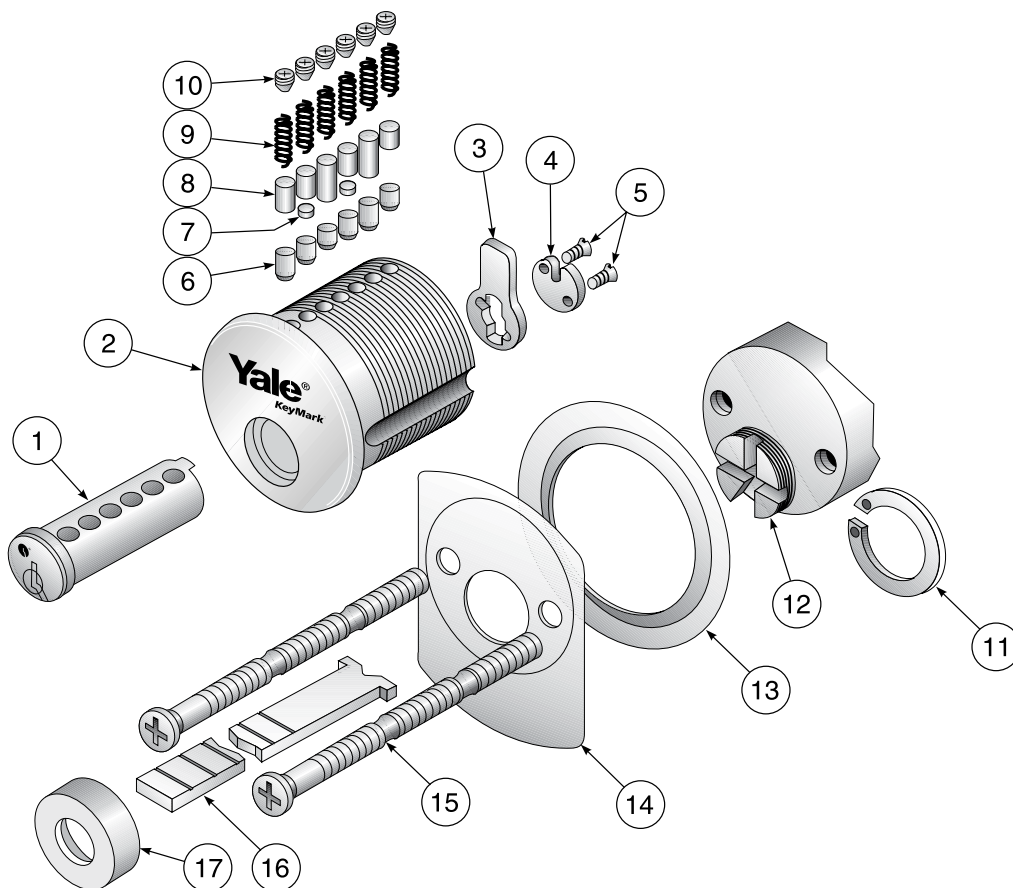


## mortise/rim cylinders



Item	Description	Qty.	Mortise Model No.	Rim Model No.	Remarks
1	Mortise Plug-.511"	1	K150	NA	Length, keyway and finish required
2	Shell	1	K151	K351	Finish required
3	Cam	1	KC1	NA	KC1 standard, refer to page 7 for options
4	Cam Washer	1	KP1	NA	
5	Cam Screw	2	KP2	NA	
6	Bottom Pins	.	.	.	Refer to page 9 for options
7	Top Pins (Master)	.	.	.	Refer to page 9 for options
8	Top Pins (Driver)	.	.	.	Refer to page 9 for options
9	Tumbler Springs	6 or 7	K730	K730	
10	Set Screws	6 or 7	K736	K736	
11	Plug Retainer	1	NA	K739	
12	Rim Plug-.511" Plug Diameter	1	NA	K350	Finish & keyway required
13	Collar	1	NA	KP4	Finish required
14	Mounting Plate	1	NA	Yale® Part	34-0010-1015-059
15	Mounting Screws	2	NA	Yale Part	34-2311-8738-048
16	Tailpiece (Break-off)	1	NA	KT1	Includes tailpiece retainer
17	Tailpiece Retainer	1	NA	.	Included with tailpiece

\* See remarks.