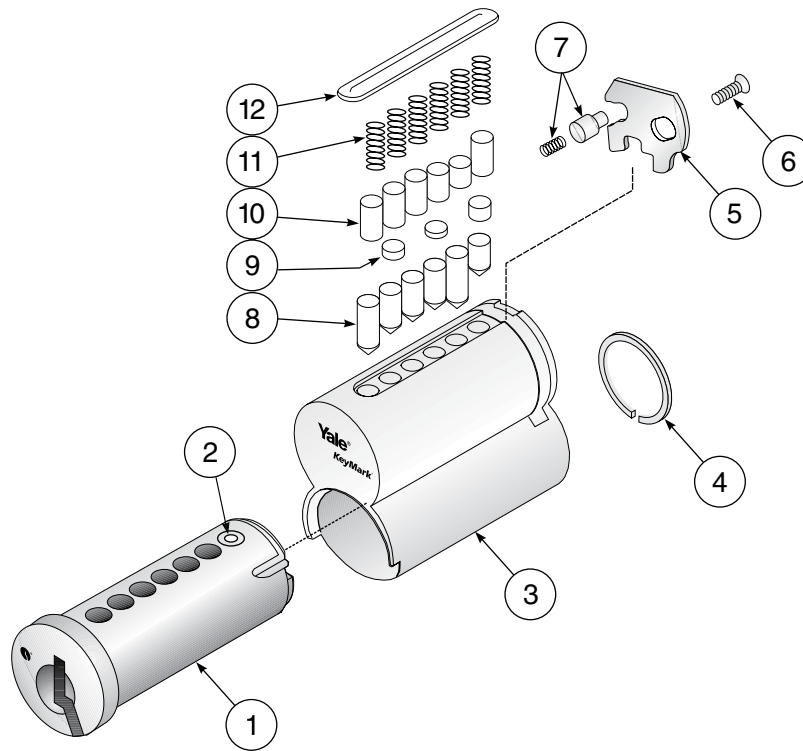


## large format interchangeable core



Item	Description	Qty.	Catalog No.	Remarks
1	Plug - .511" Plug Diameter	1	K850	No. of pins, keyway and finish required
2	Control Pin and Spring	1	.	Staked in place
3	Shell	1	K851	No. of pins and finish required Includes items 5, 6 and 7
4	Plug Retainer	1	K740	
5	Control Lug	1	.	Not available separately
6	Control Lug Retainer Screw	1	.	Not available separately
7	Control Lug Guide Pin and Spring	1	.	Not available separately
8	Bottom Pins	.	.	Refer to page 9 for options
9	Top Pins (Master)	.	.	Refer to page 9 for options
10	Top Pins (Driver)	.	.	Refer to page 9 for options
11	Tumbler Springs	6 or 7	K730	
12	Spring Cover, 6-pin	1	K732	
12	Spring Cover, 7-pin	1	K733	

\* See remarks.