

## RG-27 Vertical rod and latch guard



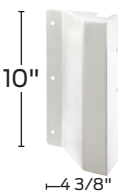
Rod guard

RG-27 Series vertical rod and latch guards protect the bottom rods of exit devices from the damaging impacts of carts or gurneys passing through doors. (If bottom rods become damaged, the exit device will not function as intended and can jeopardize the ability to exit safely during an emergency.)

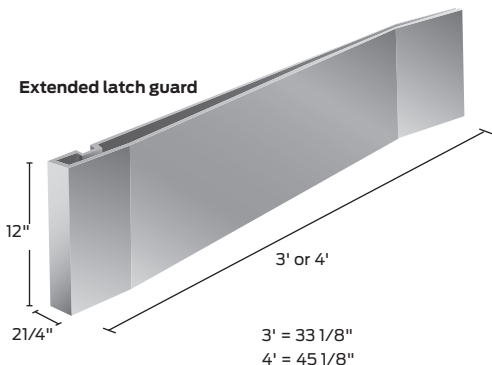
In addition to protecting the vertical rod, the guard provides a smooth, unobstructed surface so the door can be pushed open easily with the bumpers of a wheelchair. The latch guard portion is 10" high. The standard latch guard features a 45° ramp. The extended latch guard offers a continuous ramp in 3' or 4' widths.

All stainless steel construction in US32D finish. Latch guards can cover latches as large as 1 1/4"W x 10"H x 1 7/8" projection.

Latch guard



Extended latch guard



### Models

- |                |   |
|----------------|---|
| <b>RGO</b>     | Rod guard only (Projection 1 <sup>3</sup> / <sub>16</sub> " ) |
| <b>RG-27</b>   | Rod and latch guard   |
| <b>RG-27-3</b> | 3' (914 mm) Rod Guard and Extended Latch Guard                |
| <b>RG-27-4</b> | 4' (1219 mm) Rod Guard and Extended Latch Guard               |
| <b>LGO</b>     | Latch guard only  |
| <b>LGO-3</b>   | 3' (914 mm) Extended latch guard only                         |
| <b>LGO-4</b>   | 4' (1219 mm) Extended latch guard only                        |

**Note:** Not for use on wood fire doors, except with SLM (special laminate material) blocking.

### To order, specify:

1. Model number.
2. Handing (except on RGO).
3. Door material if other than Hollow Metal.
4. Optional sex bolt mounting available.