



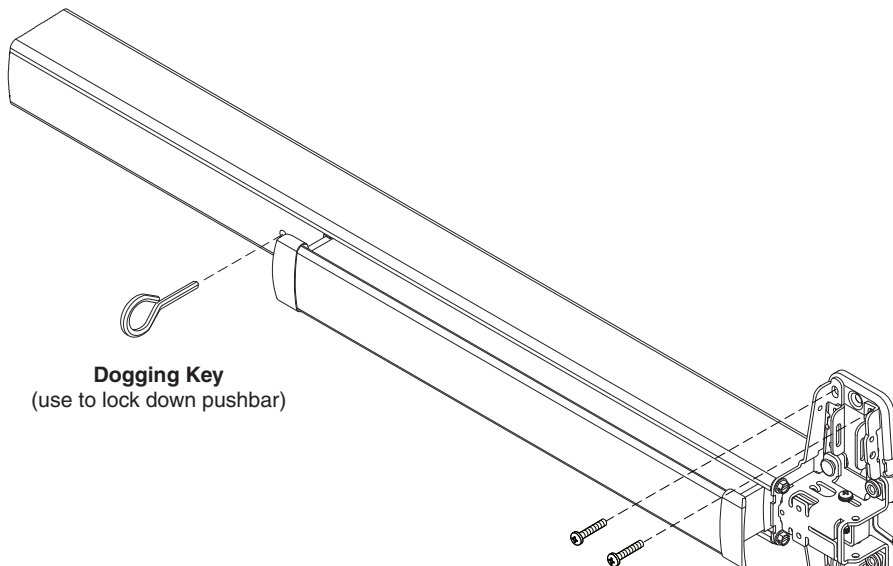
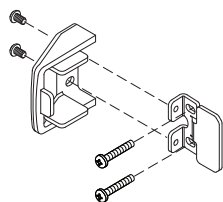
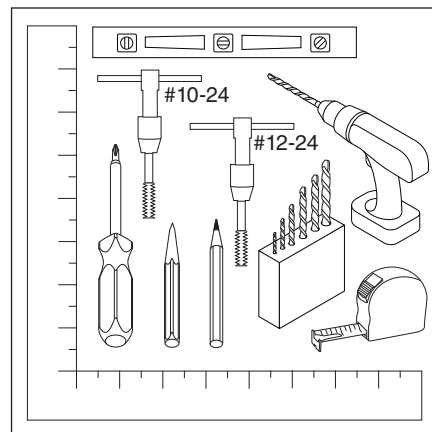
911374-00

9875/9975

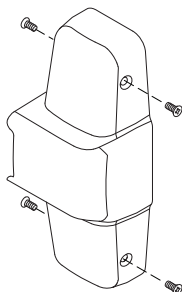
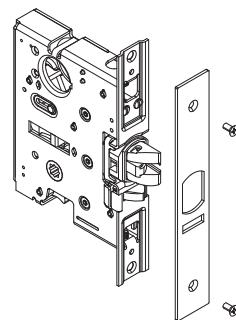
VON DUPRIN®

Mortise Exit Device

Installation Instructions



Dogging Key
(use to lock down pushbar)



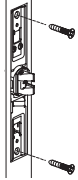
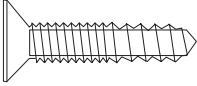
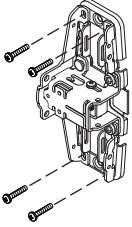
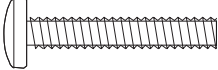
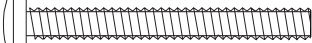
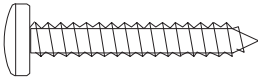
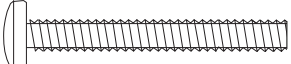
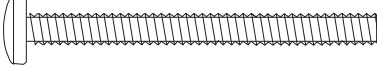

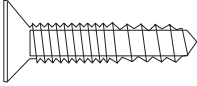

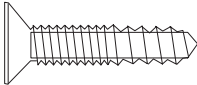
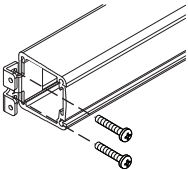
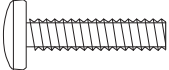
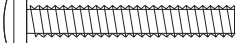
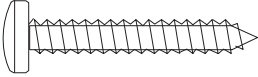
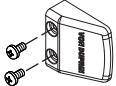
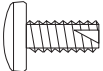
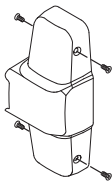
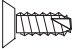
Customer Service

1-877-671-7011

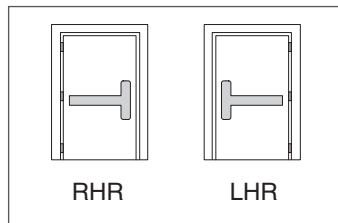
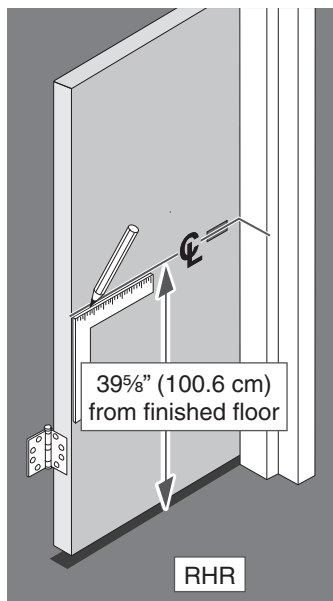
www.allegion.com/us

© Allegion 2015
Printed in U.S.A.
911374-00 Rev. 10/15-g

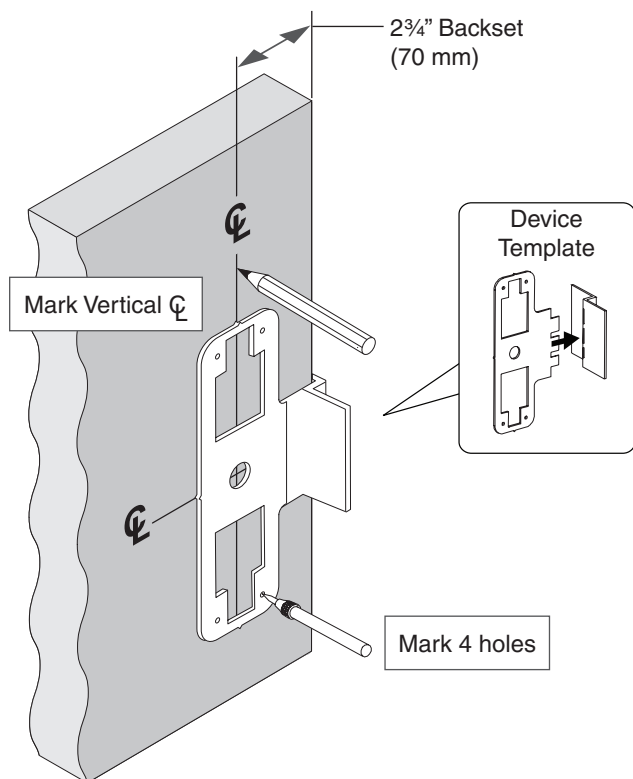
SCREW CHART

Subassembly	Screw	Application
A 	 <p>#12-12 x 12-24 x 1" (25 mm) Combination</p>	Metal or wood door
B 	 <p>#10-24 x 1" (25 mm)</p>  <p>#10-24 x 1 1/2" (38 mm)</p>  <p>#10 x 1 1/4" (32 mm) Wood screw</p> <p>Packaged with 990 Trims:</p>  <p>#10-24 x 1 3/8" (35 mm)</p>  <p>#10-24 x 1 7/8" (48 mm)</p>	<p>Surface mount or Sex bolts 1 3/4" (44 mm) door</p> <p>Sex bolts, 2 1/4" (57 mm) door</p> <p>Surface mount (wood)</p> <p>1 3/4" (44 mm) door, 990 Trim</p> <p>2 1/4" (57 mm) door, 990 Trim</p>
C 	 <p>#12-12 x 12-24 x 1" (25 mm) Combination</p>	Metal or wood frame
C 	 <p>#12-12 x 12-24 x 1" (25 mm) Combination</p>	Metal or wood door
D 	 <p>#10-24 x 3/4" (19 mm)</p>  <p>#10-24 x 1 1/8" (29 mm)</p>  <p>#10 x 1 1/4" (32 mm) Wood screw</p>	<p>Surface mount or Sex bolts 1 3/4" (44 mm) door</p> <p>Sex bolts, 2 1/4" (57 mm) door</p> <p>Surface mount (wood)</p>
E 	 <p>#10-16 x 3/8" (10 mm) Thread cutting</p>	End cap
F 	 <p>#8-18 x 3/8" (10 mm) Thread cutting</p>	Center case cover

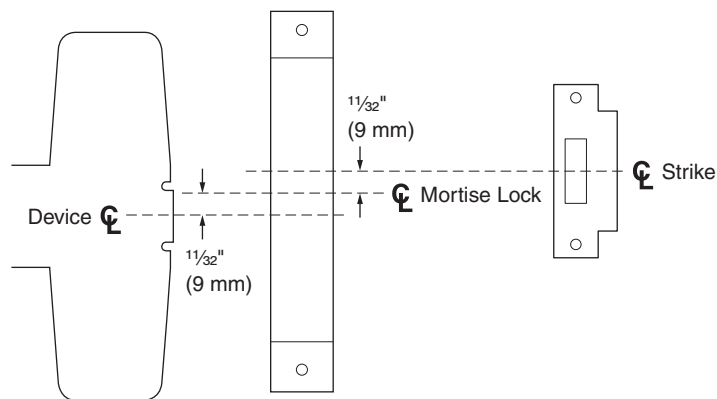
1 Draw horizontal device center line (C).



2 Position template on C and mark door.

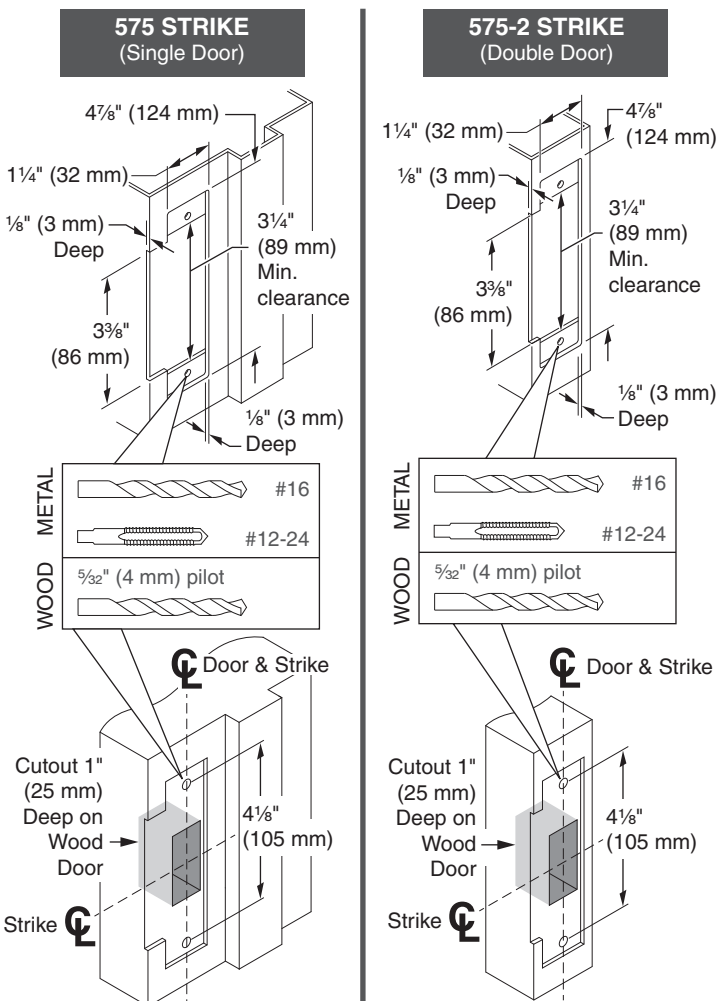


3 Locate strike center line (C).



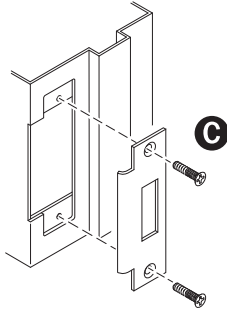
4 Prepare the door frame (or other door) for strike.

i 575, 575-2 strike shown. For 576A/576B strike preparation, see page 7.



5 Install strike.

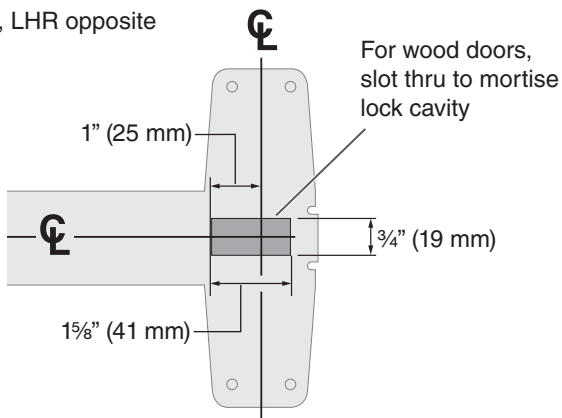
i For 576A/576B strike installation, see page 7.



C **i** See "Screw Chart" on page 2 for screw types and sizes.

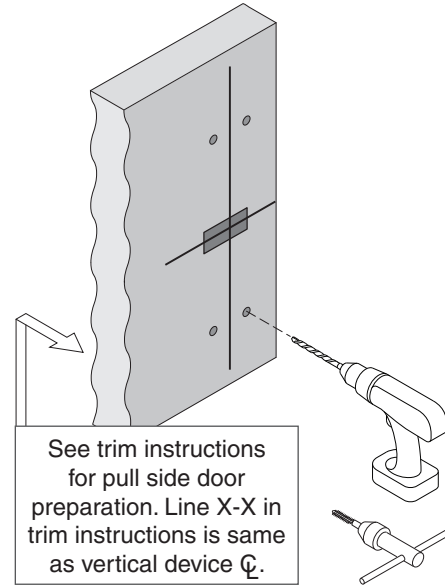
6 If necessary, prepare door cutout.

For all 98/9975 devices
RHR shown, LHR opposite



7 Prepare door for device and trim.

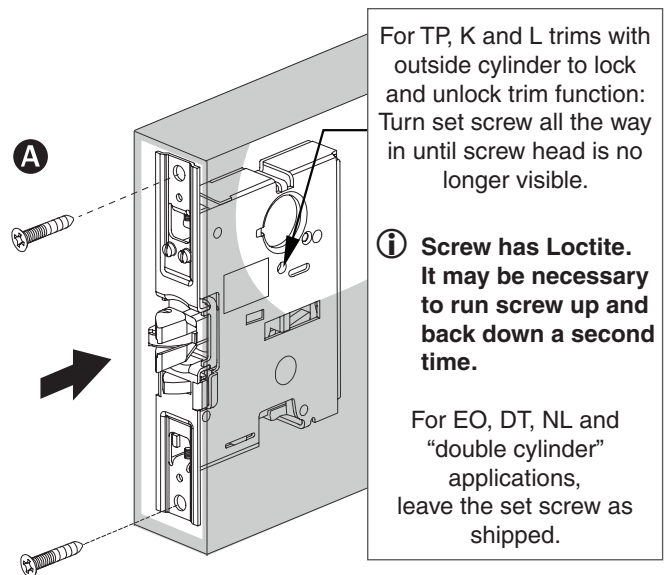
Prepare 4 center case mounting holes.



SURFACE MOUNT		OR	SEX BOLTS or 990 TRIMS	
METAL	#25	---	METAL	1/4" (6 mm) Device Side
	#10-24		METAL	1 3/32" (10 mm) Trim Side
WOOD	1/8" (3 mm) x 1" (25 mm) Deep	---	WOOD	1 3/32" (10 mm) Drill Thru

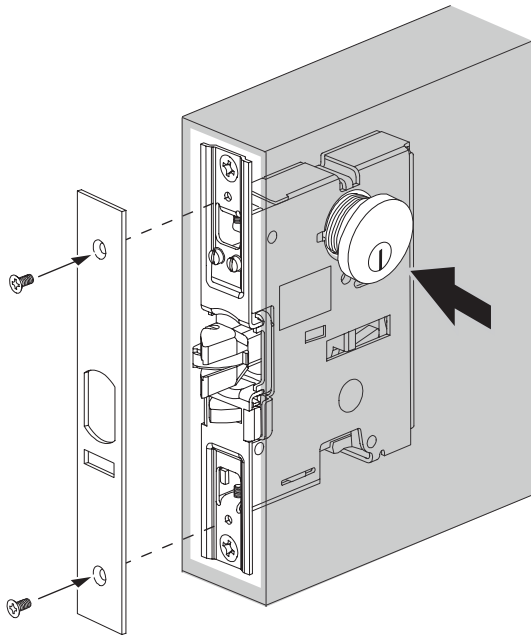
8 Install mortise lock into door.

i See 7500 mortise lock instruction #941019.

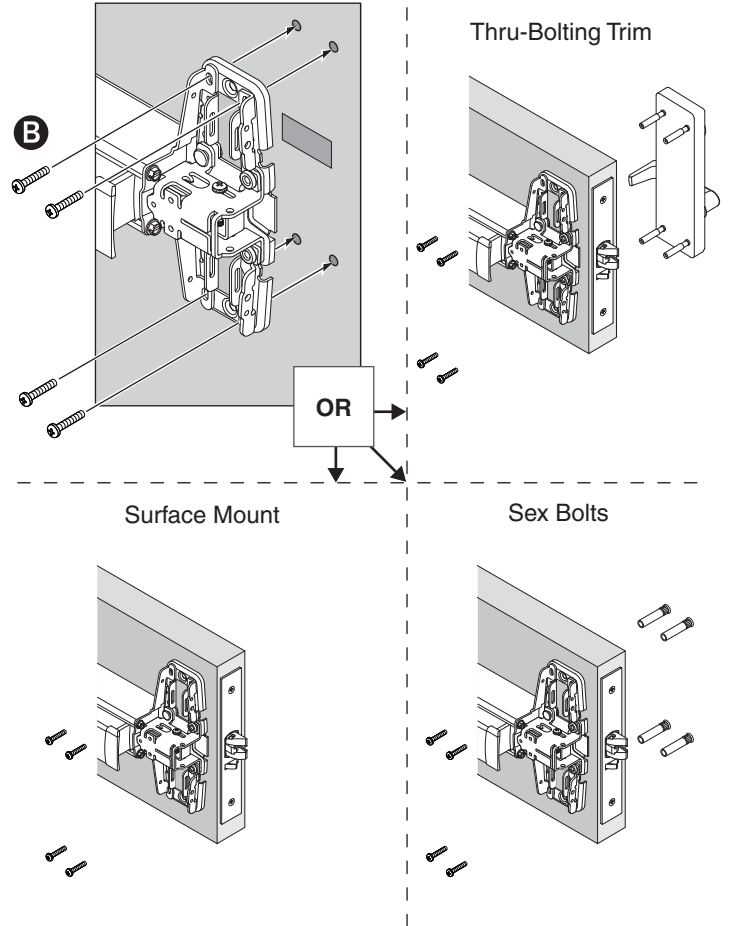


9 Install outside locking cylinder (if using) and complete installation of mortise lock.

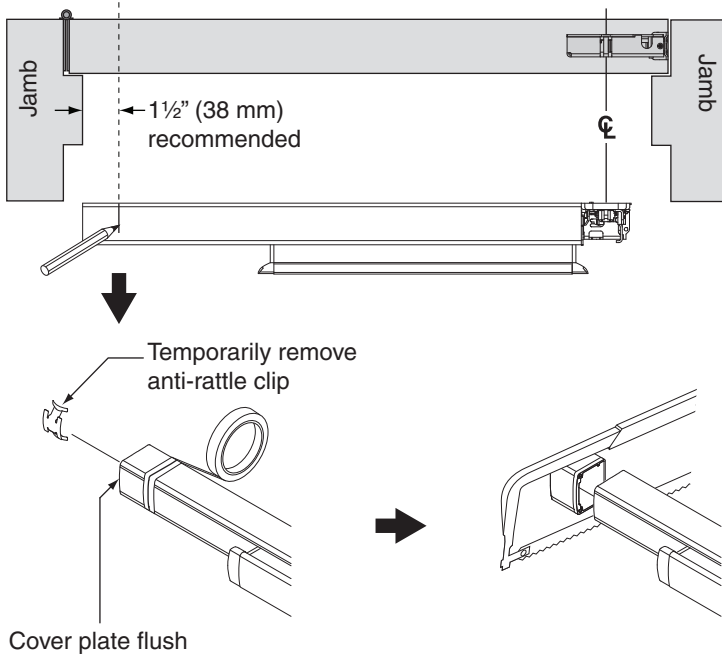
i See 7500 mortise lock instruction #941019.



11 Install trim (if using) and attach center case to door.

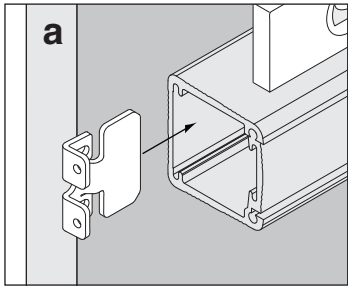


10 If necessary, cut device.



12 Mark and prepare two holes for end cap bracket.

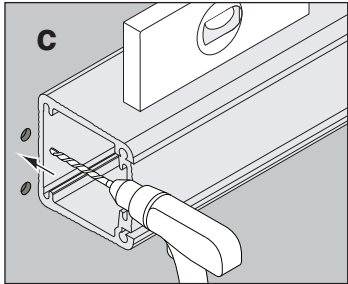
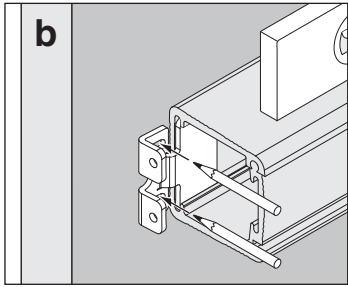
i Prepare holes after lock side of device is mounted and hinge side is leveled.



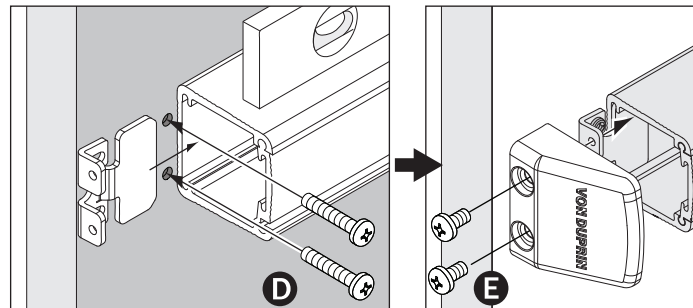
SURFACE MOUNT	
METAL	#25
WOOD	#10-24
1/8" (3 mm) x 1" (25 mm) Deep	

OR

SEX BOLTS	
METAL	1/4" (6 mm) Device Side
WOOD	13/32" (10 mm) Trim Side
13/32" (10 mm) Drill Thru	

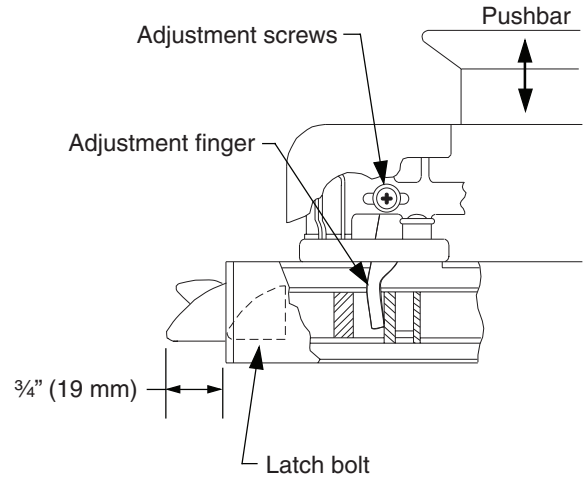


13 Install end cap bracket and end cap.



14 Adjust latch bolt.

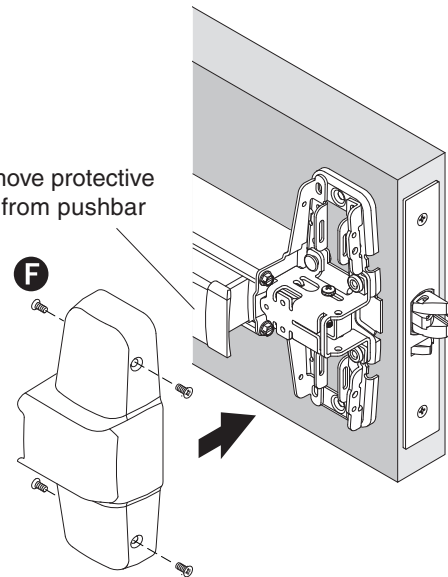
TOP VIEW



Loosen adjustment screws and adjust finger in or out until latch bolt is fully retracted (with pushbar down) and fully extended 3/4" (with pushbar up).

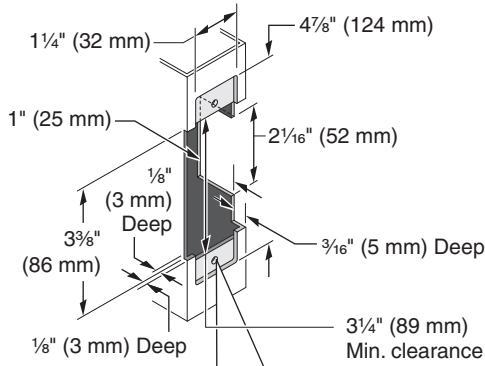
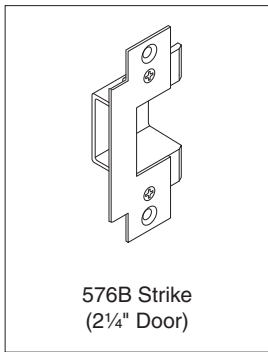
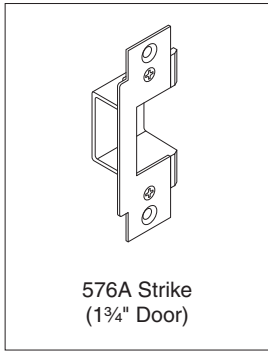
15 Install center case cover.

Remove protective film from pushbar

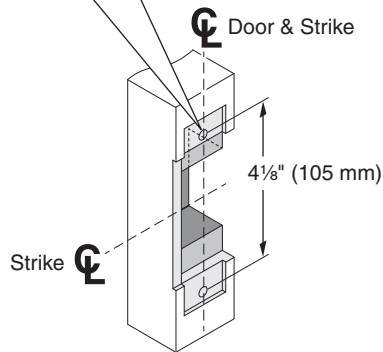


576A/576B STRIKE PREPARATION & INSTALLATION

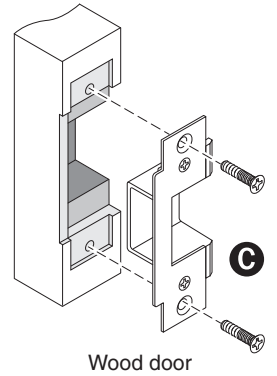
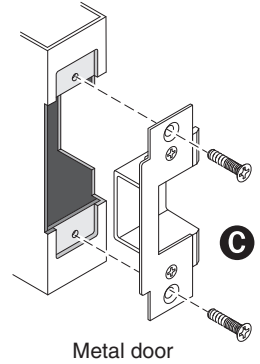
PREPARATION



METAL		#16
METAL		#12-24
WOOD		5/32" (4 mm) pilot

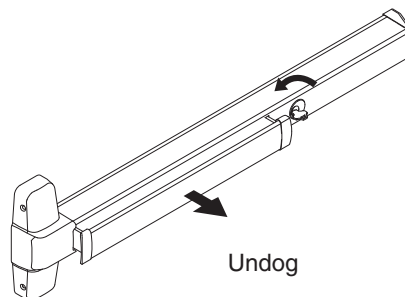
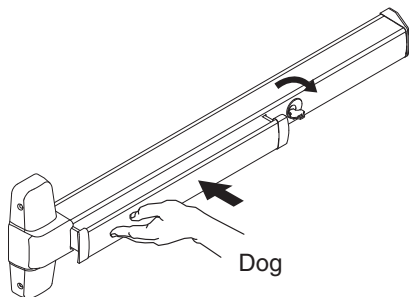
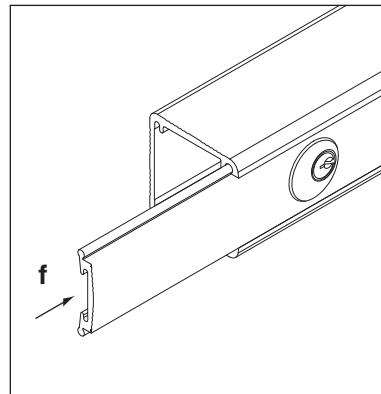
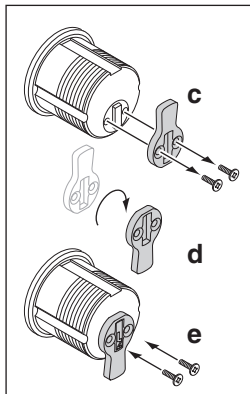
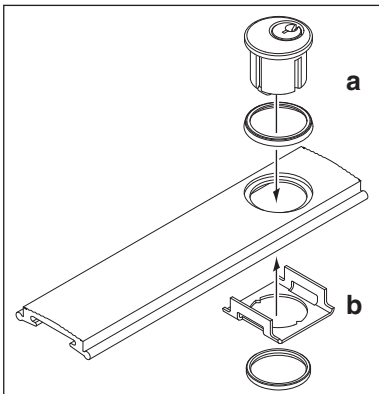


INSTALLATION



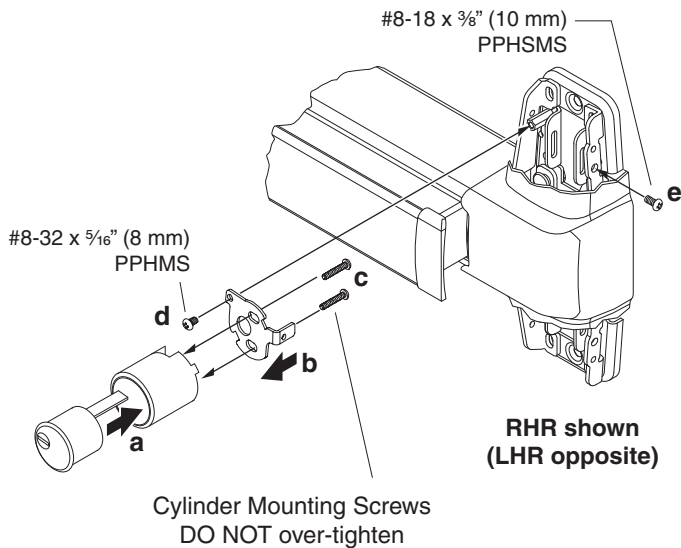
OPTIONAL EQUIPMENT

CD (Cylinder Dogging) Option

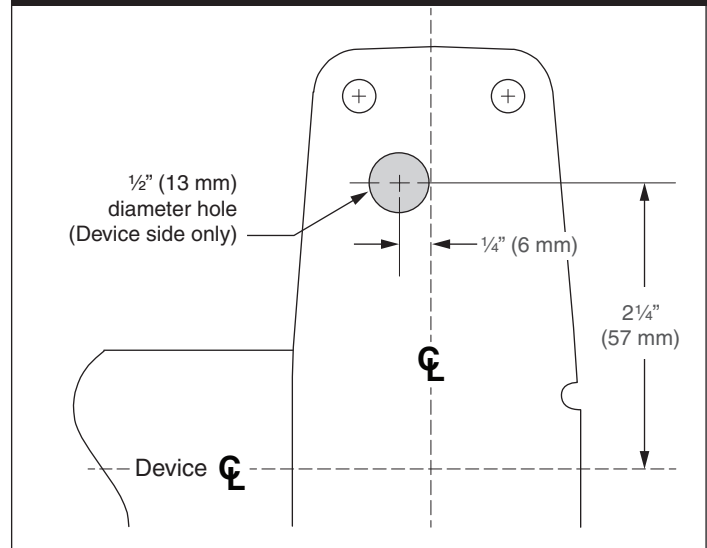


OPTIONAL EQUIPMENT (98/9975-2 DOUBLE CYLINDER)

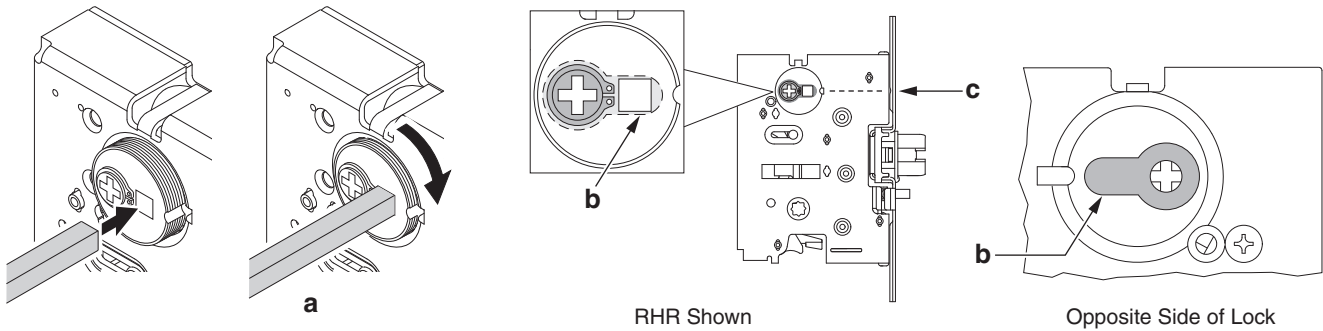
Install Cylinder



Door Cutout for 98/9975-2 "Double Cylinder" Option

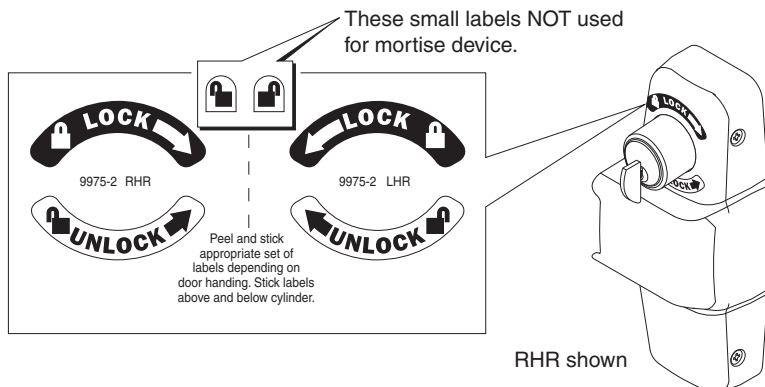


Install Cylinder Adapter Plug Assembly to Mortise Lock



- Screw cylinder adapter plug assembly into lock on device side using a 1/4" (6 mm) square socket driver.
- Position finger as shown.
- Tighten cylinder screw to hold in place.

A lock/unlock label is an available option that can be used with the 98/9975-2, and is sold separately. The labels are applied above and below cylinder to match door handing.



i Manually affix the label:

Ensure surface is clean of dirt, dust, or oils. Clean with alcohol if necessary.

Peel the label from the paper backing and apply to the surface. Minimize handling when applying and use pressure to burnish label to surface. The adhesive will require up to 8 hours to achieve the proper bond.



921270-00

Trim for 98/9975 Mortise Lock Device

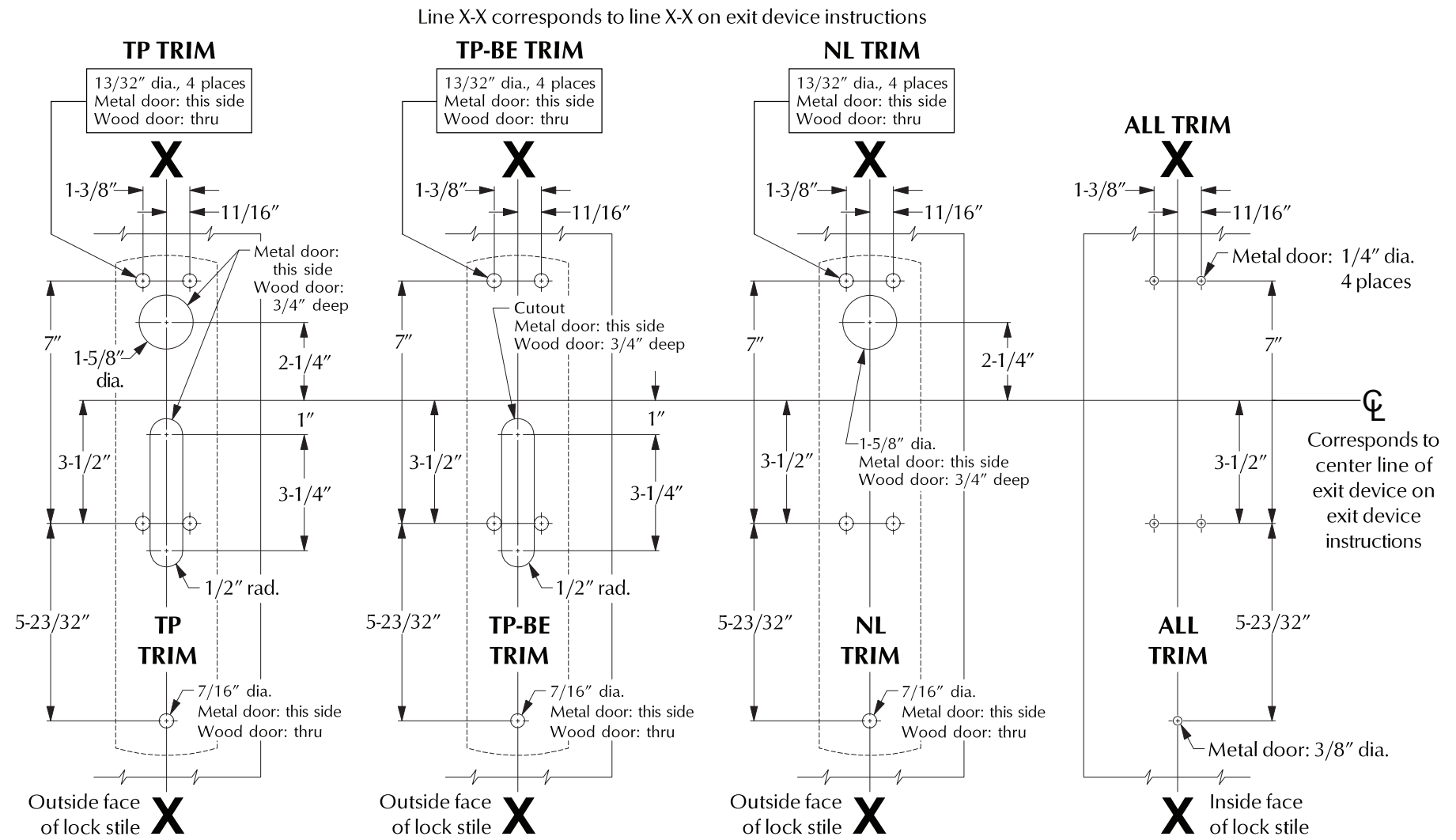
990TP/TP-BE/NL

VON DUPRIN®

Installation Instructions

INSTALLATION INSTRUCTIONS

1. Prepare door for exit device. See exit device instructions for holes, line X-X, and center lines.
2. Prepare door for trim:
 - A. Transfer line X-X from inside (exit device side) of door to outside (trim side) of door. Use extra care if edge of door is beveled. Be sure line X-X is parallel to edge of door.
 - B. Locate and prepare holes as shown.
3. Apply trim.
4. Apply exit device, thru-bolt to trim (4 places), and use screw and #12 countersink washer for lower trim mounting stud.



LHR shown, RHR opposite

For cutouts on inside face of door, see exit device instructions

Customer Service

1-877-671-7011 www.allegion.com/us





24908386

QEL 33A/35A, 98/99 Series

VON DUPRIN®

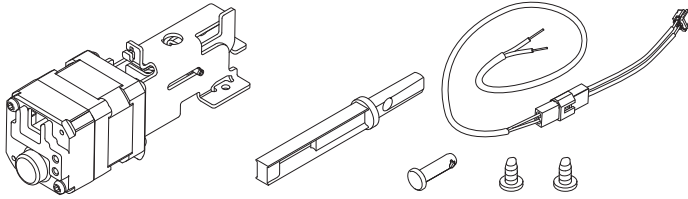
Conversion Kit

Installation Instructions

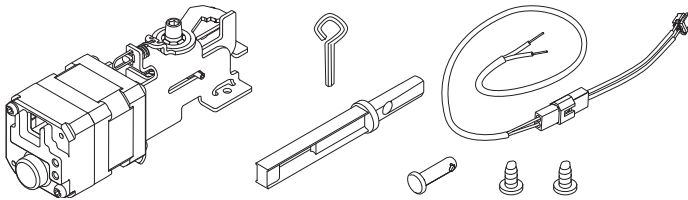


1. This kit converts all 33/35A and 98/99 series mechanical exit devices to quiet electric latch (QEL) retraction devices.
2. This kit can also be used for motor replacement on existing QEL devices.
3. Install according to instructions or device will not function and panic or fire label will be void.
4. The QEL wiring must be attached to the fire alarm system if installed on fire exit hardware.
5. If existing device is fire rated or less dogging a QEL baseplate conversion kit is required.

Parts



QEL



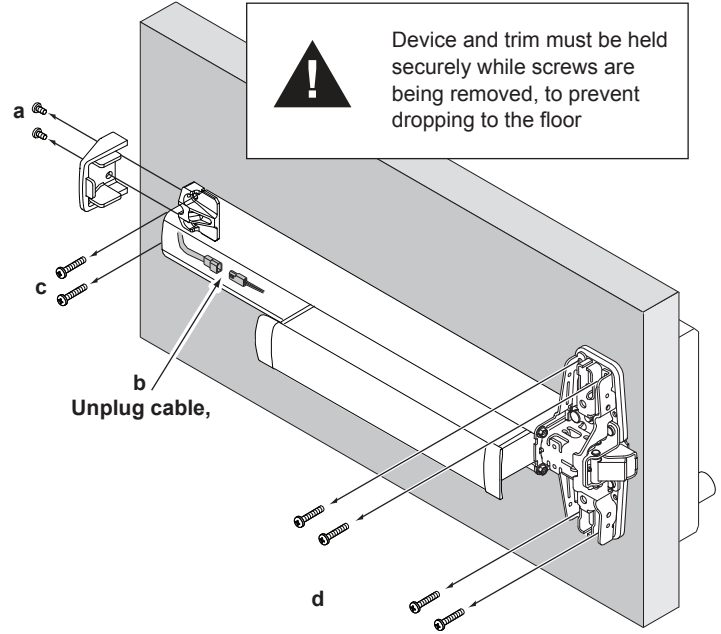
HD-QEL (Hex Dogging QEL)



WARNING

If existing exit device is fire rated, do not install HD-QEL (hex dogging) type motor. Doing so will void fire rating.

3 Remove Exit Device from Door



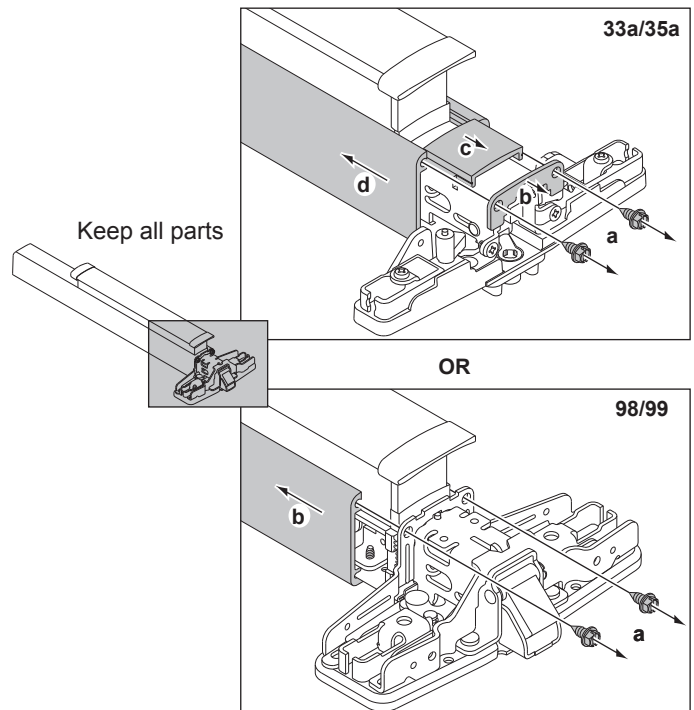
1 Disconnect Power

To avoid risk of shock, disconnect AC power from power supply before proceeding with this conversion. If using 900-BB Battery Backup option, unplug all four wires from battery terminals.

2 Detach Vertical Rods if present

Refer to device instructions as needed.

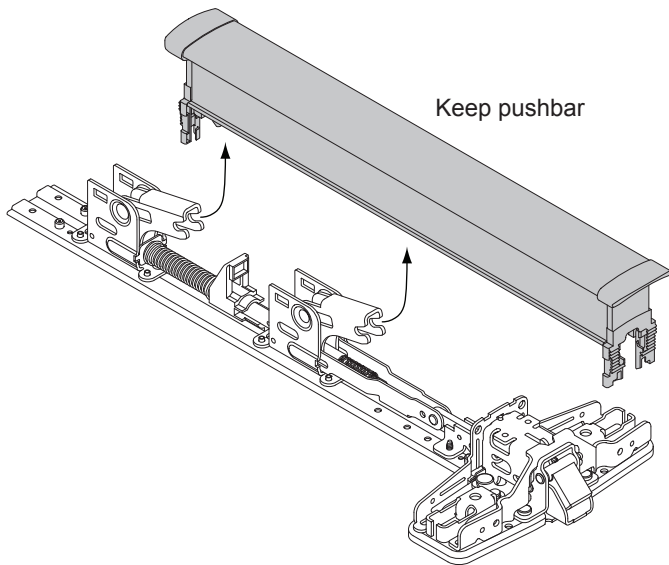
4 Remove Mechanism Case



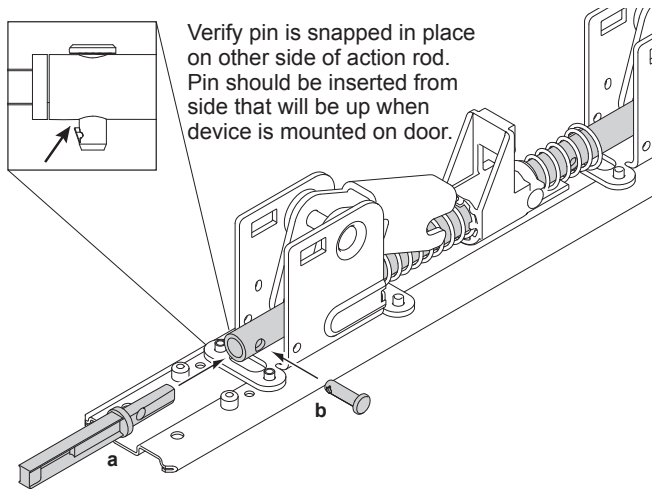
5 Prepare baseplate for new motor. Find your existing application below (on page 2 or 3) and follow steps.

FIRE OR LESS DOGGING DEVICE
(Applies to exit devices built after October 2014.
Baseplate conversion kit required for earlier devices.)

1. Remove pushpad from baseplate.

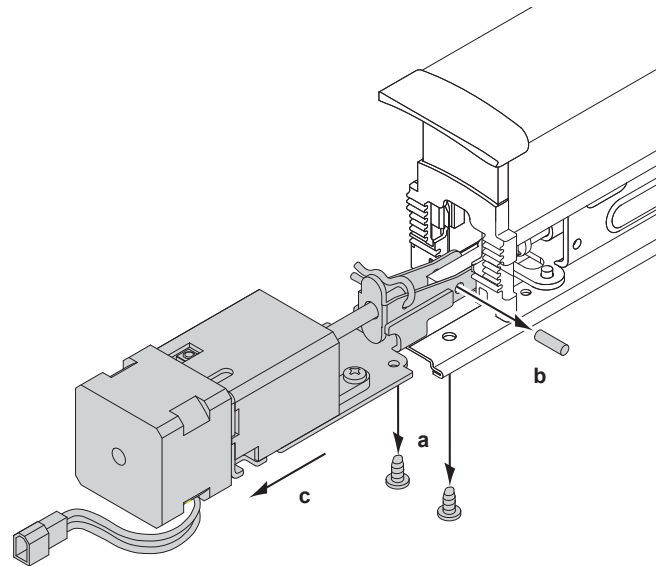


2. Install connector and pin.

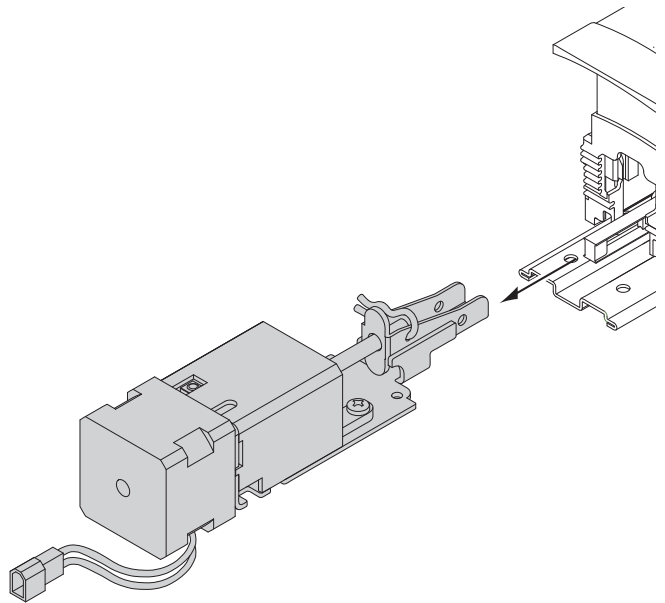


QEL DEVICE (built prior to December 2014)

1. Remove existing QEL motor

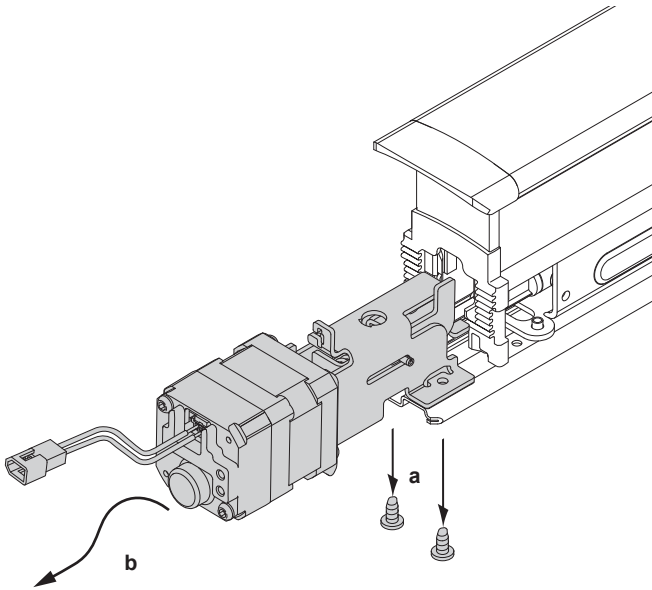


2. Discard old QEL motor assembly.

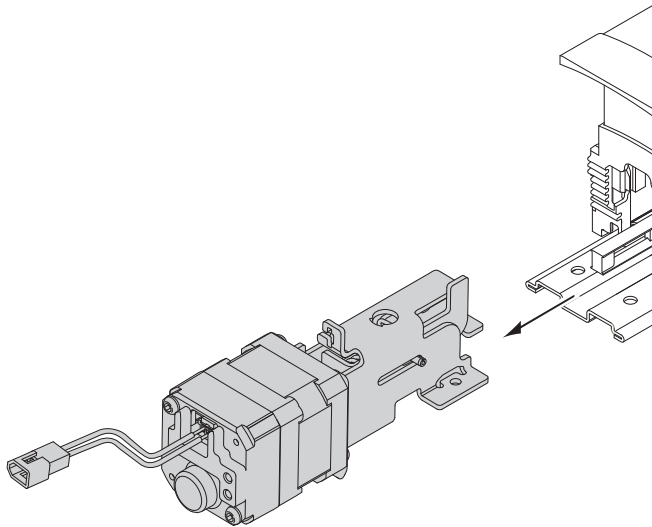


QEL DEVICE (built after December 2014)

1. Remove existing QEL motor.

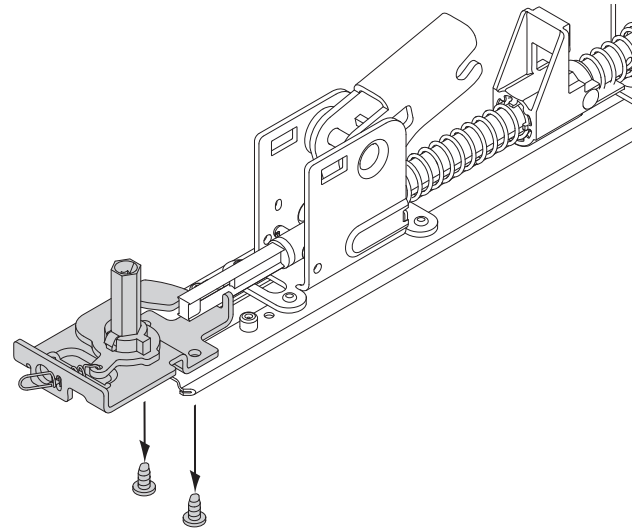


2. Discard old QEL motor assembly.

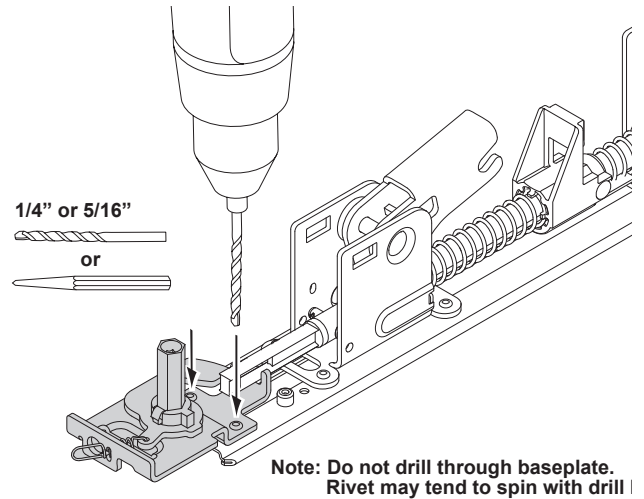


PANIC DEVICE (with dogging assembly)

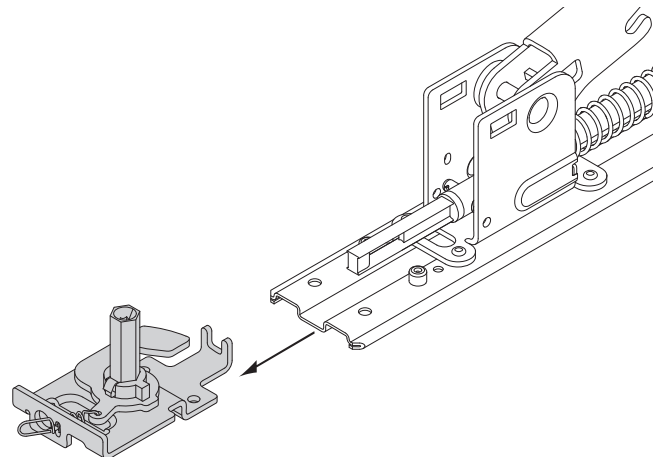
1. Remove two screws from dogging assembly. If riveted see below.



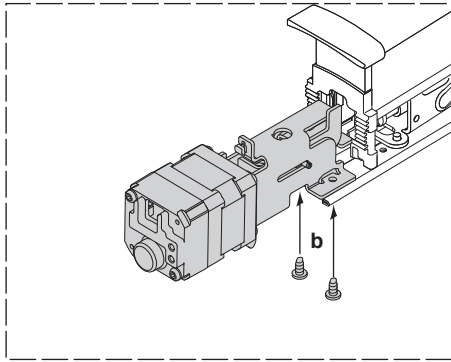
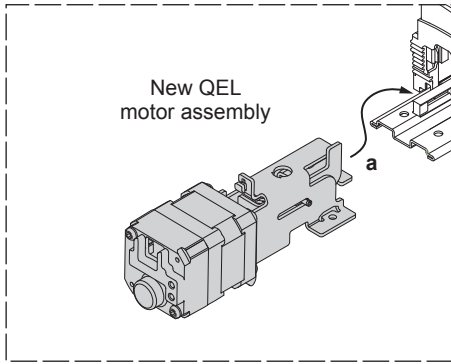
2. Drill or use center punch on two rivet heads until rivets can be removed from baseplate.



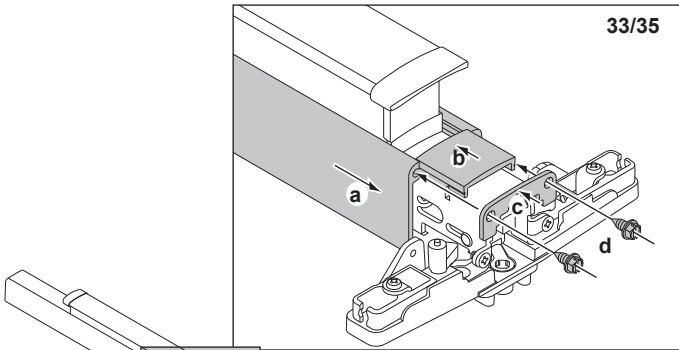
3. Remove and discard dogging assembly.



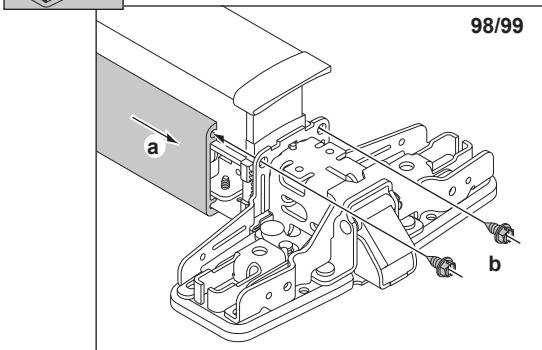
6 Install New QEL Motor Assembly



7 Install Mechanism Case

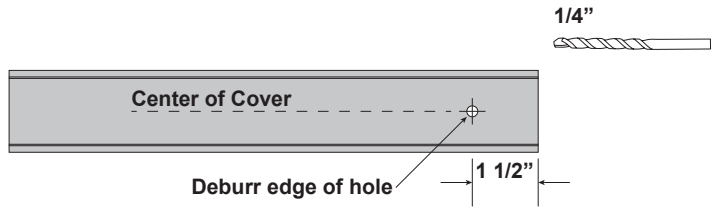


OR

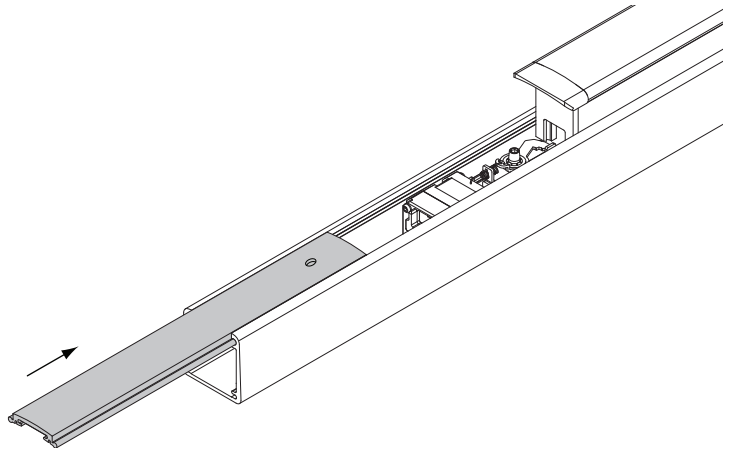


8 Prepare dogging cover for HD dogging key (if applicable and only on panic devices).

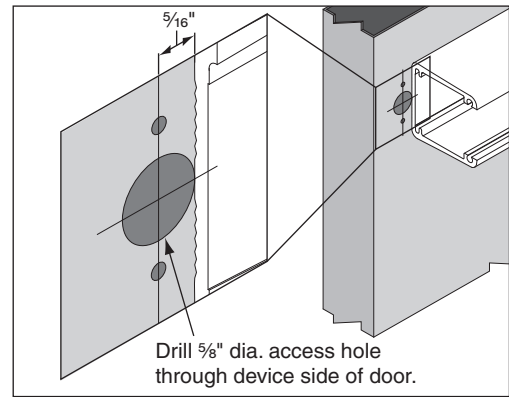
8a Locate and drill hole



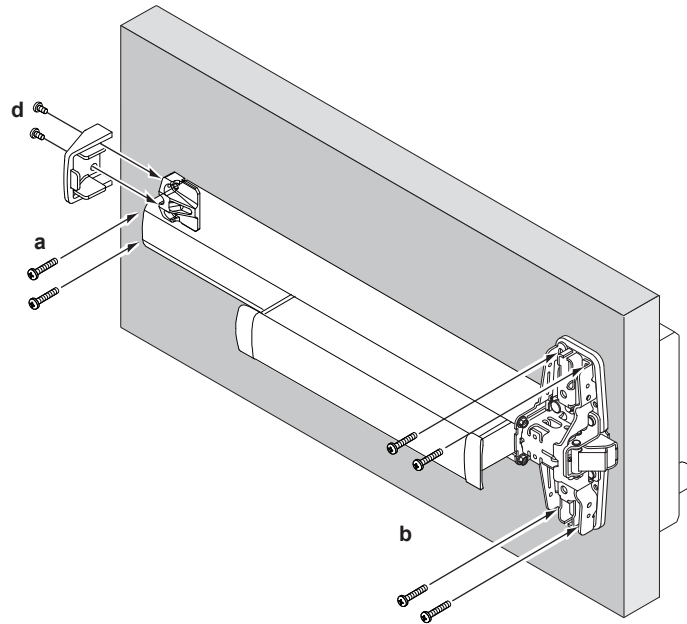
8b Install dogging cover



9 Drill Wire Access Hole (if required)



10 Attach Exit Device to Door



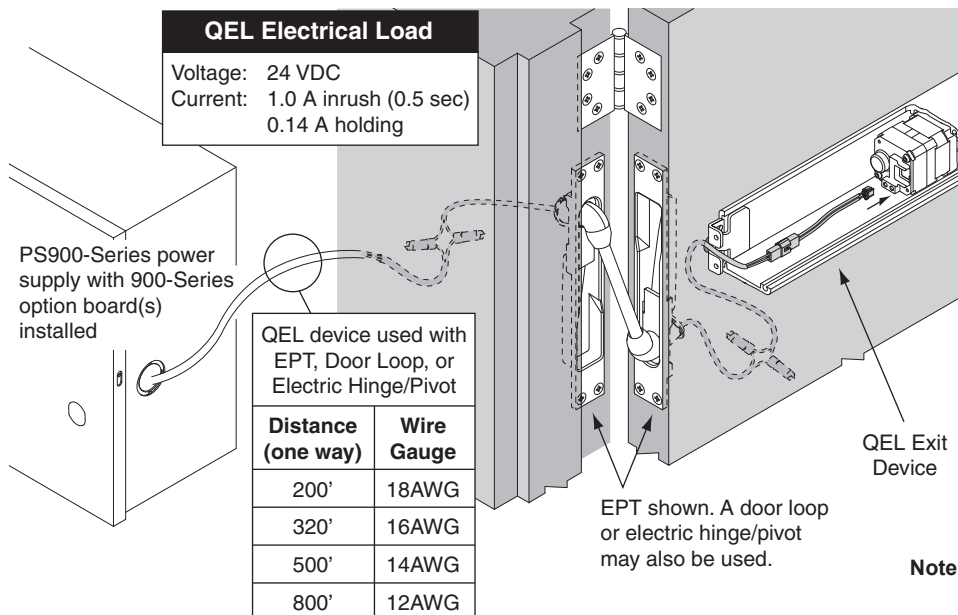
For more detailed installation instructions for specific Exit Devices, visit the Support area of the Allegion website at www.allegion.com/us

11 Confirm Equipment Compatibility

The QEL is compatible with the following equipment (refer to individual instructions as needed):

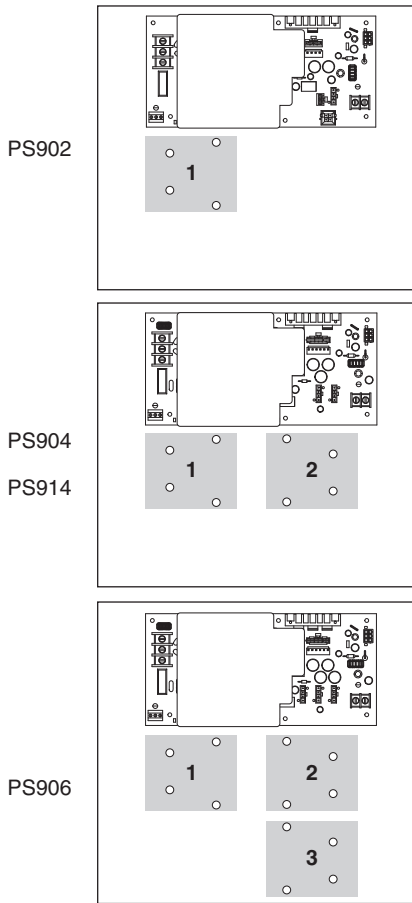
- PS900-SERIES Power Supplies - PS902, PS904, PS906, PS914
- 900-SERIES Option Boards - 900-2RS, 900-4R, 900-4RL, 900-2Q
- PS873 Power Supply Plus 871-2, 871-2Q, 873-4TD/AO Option Boards

12 Route Two Wires from QEL Exit Device to Power Supply

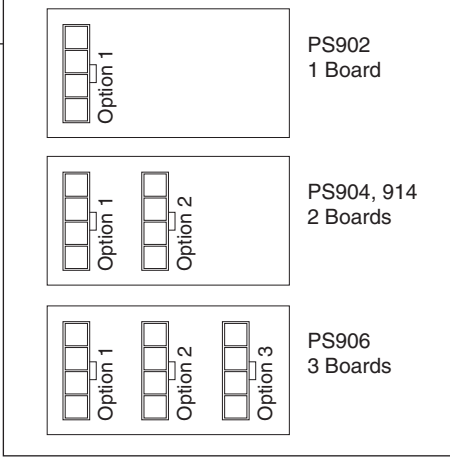


13 Install 900-2Rs, 4RI, or 4R Option Board(s) into Power Supply

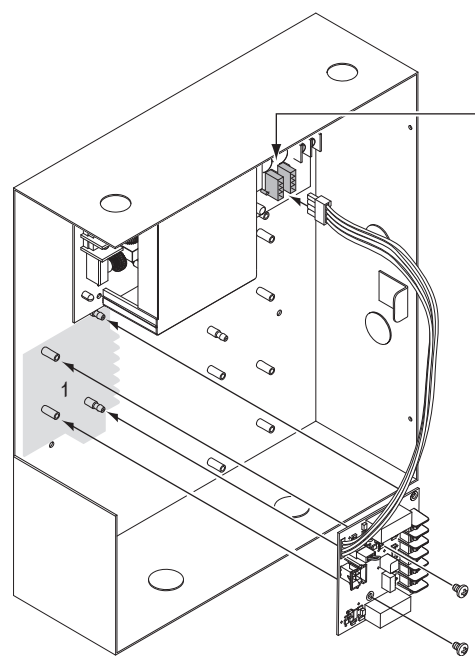
a Review Available 900 series Option Board Mounting Locations (Gray)



b Plug Option Board Cable into any Available Option Connector



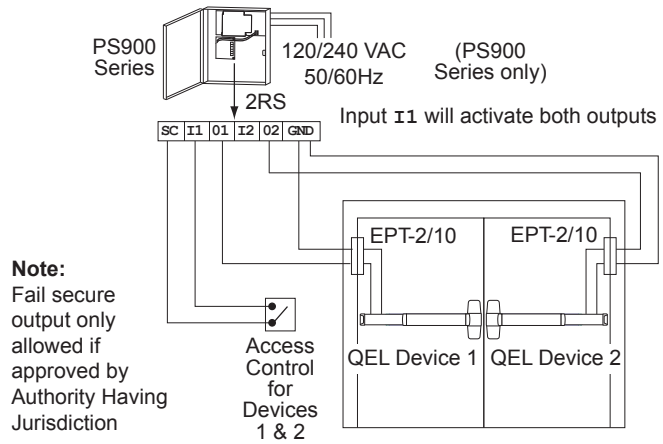
c Secure Board(s) with Screws



- Notes:**
1. 24VDC output setting required when QEL device connected
 2. If installing board in location 2 or 3, rotate board 180°
 3. The QEL is compatible with an existing 900-2Q board if currently installed.
 4. Latchbolt retraction of (2) sequenced QEL's requires more than 1 second to complete.
 5. When powering multiple components, verify that the amperage requirements of all components combined does not exceed the power supply output rating.

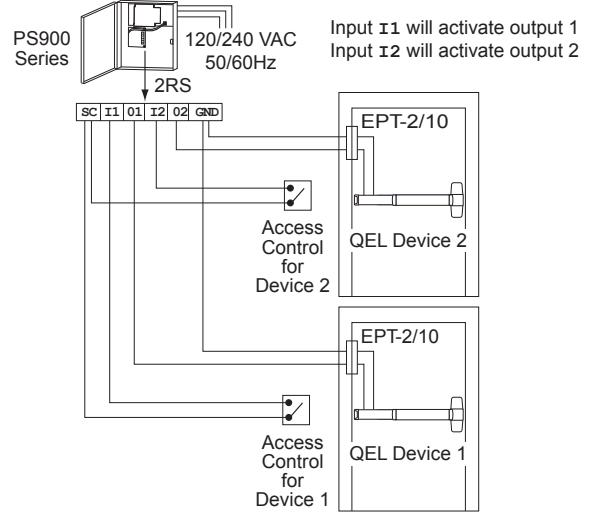
14 Connect Input and Output Wires to Option Board (2RS Shown)

Sequential Mode - Typical Wiring



Note:
Fail secure output only allowed if approved by Authority Having Jurisdiction

Individual Mode - Typical Wiring



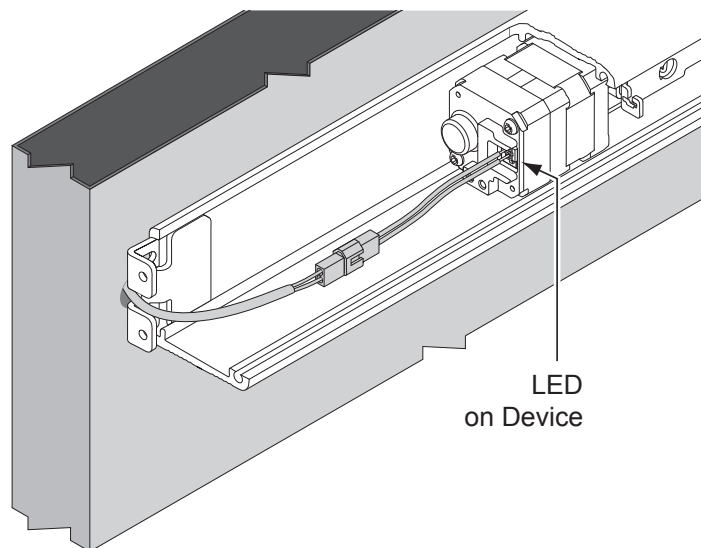
15 Check Operation

- A. Activate each input and verify all QEL devices operate properly.
- B. If any device does not operate properly, see step 16 for troubleshooting.

16 If Necessary, Troubleshoot Operation (LED is only visible with the mechanism cover removed)

Power at the QEL	QEL Response	Condition/Solution
24VDC	LED - Solid green Latchbolt - retracted	Operation normal, latch retracted immediately
	LED - Solid red after latchbolt attempts to retract multiple times	Latchbolt cannot fully retract mechanically Verify mechanical adjustment (on vertical rod or mortise lock devices if used). Remove and reapply input voltage to reset this condition.* See <i>Check Mechanical Operation</i> on page 8 as needed.**
	LED - Flashing green/red Latchbolt - not retracted	Excessive tamper (while power applied, the pushpad was pulled out at least 3 time) Wait 15 seconds and latchbolt will retract again OR remove and reapply power to clear condition
24VDC low	LED - Flashing green Latchbolt - retracted	Voltage low during latchbolt retraction (latchbolt retracts at reduced force) Wire length is too long, wire gauge is too small or power supply has poor regulation
29VDC or greater	LED- Flashing red Latchbolt - will not retract	Input voltage is too high for proper operation Wrong power supply, power supply defective.
13VDC or lower		Input voltage is too low for proper operation Wrong power supply, power supply defective or not set to the proper output voltage. To set, remove AC power from power supply, change power supply setting from 12 to 24VDC, then reapply AC power and verify proper operation.
0VDC	LED - off Latchbolt - not retracted	No input voltage Problem with the power supply, control switch or wiring
0VDC	LED - off Latchbolt - retracted	No input voltage Mechanical dogging is engaged

*For information about adjusting exit devices, you can find their installation instructions in the support area at www.allegion.com/us or call Technical Services at 1-877-671-7011



17 Check Mechanical Operation

33A/3527A	98/9927	98/9947WDC
33A/3547A	98/9947	98/9957
		98/9975

33/3549A	98/9949
33/3550A-WDC	98/9949WDC
	98/9950WDC

1. Make sure device is not dogged for SD-QEL / HD-QEL.
2. Depress pushbar and make sure latch bolt retracts and extends fully (see Figure 1).
3. If latch bolt does not retract or extend fully, adjustments may be required per the device installation instructions.

1. Make sure device is not dogged for SD-QEL/HD-QEL.
2. Depress pushbar. Door should begin to open with pushbar depressed halfway.
3. Close door. Top latch should be secure. If two point latch, bottom latch should be secure as well.
4. If device does not function as described in steps 2 and 3, adjustments may be required per the device installation instructions.

Any HD Device

1. Fully depress pushbar.
2. Insert hex dogging key and turn clockwise.
3. Release pushbar and verify latchbolt remains retracted.
4. Fully depress pushbar.
5. Insert hex dogging key and turn counter clockwise.
6. Release pushbar and verify latchbolt extends fully.

