

# EL/QEL Electric latch retraction



## EL Electric latch retraction

The EL feature allows for the remote unlatching of exit devices. A control station operator can flip a switch to retract the latch bolt and immediately change an exit door to push-pull operation. A powerful, continuous duty solenoid retracts the latch bolt, either for momentary unlatching, or for extended periods of time. The EL feature is an alternative to manual dogging.

If manual hex-key dogging is required, specify HD-EL. If cylinder dogging is required, the standard cylinder dogging is not available, but special center case dogging is available, specify SD-EL. SD-EL is not available on the 9875 or 9975 devices.

EL devices are also useful with automatic door operators, and may be applied to fire-rated applications when under the control of an **automatic fire alarm system**.

UL approved for Class II circuit applications.

The EL option does not include the power transfer from door to frame, the power supply, or the control operator. Refer to EPT-2 power transfer and the PS914 power supply.

The PS914 with the 9002RS option card is the minimum option card required. Other option cards available for other functions, see PS914 power supply for additional information.

### Solenoid specifications:

Continuous duty – 24 VDC  
Current inrush – 16 Amps  
Current holding – 0.3 Amps

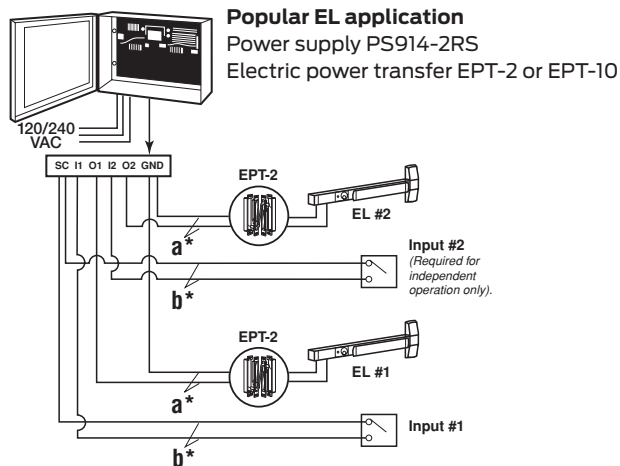
### Solenoid resistance:

-grn-yel 1.2 – 2.2 OHMS  
-grn-org 100 – 150 OHMS

### To order, specify:

**Standard – use prefix EL, example EL99L.**

**Hex Key dogging – Use prefix HD-EL, example HD-EL99L**  
**special center case dogging – Use prefix SD-EL, example SD-EL99L**



### Popular EL application

Power supply PS914-2RS  
Electric power transfer EPT-2 or EPT-10

Von Duprin exit device	EL Wire length (feet) <sup>1</sup>	Wire gauge (AWG)
EL 98/99 Rim	0-500	12
EL 33A/35A Rim	0-300	14
	0-200	16
a* All other 98/99EL and EL33A/35A device types	0-250	12
	0-150	14
	0-100	16
b* Control Switch	0-1200	18

1. Wire lengths include an EPT, Door loop, electric hinge or pivot and are measured one way between the PS914/option board and the device.  
2. Table is applicable to devices that have shipped after August 2012.

## QEL Quiet electric latch retraction

The QEL feature allows for the remote unlatching of exit devices. A control station operator can flip a switch to retract the latch bolt and immediately change an exit door to push-pull operation. Different than the popular EL, the QEL quiet operation is achieved using an electric drive motor which retracts the latch bolt either momentary unlatching or for extended periods of time. This feature is an alternative to manual dogging.

If cylinder dogging is required, the standard cylinder dogging is not available, but special center case dogging is available, specify

SD-QEL. SD-QEL is not available on the 9875 or 9975 devices.

QEL devices are also useful with automatic door operators, and may be applied to fire-rated applications when under the control of an automatic fire alarm system.

UL approved for Class II circuit applications.

The QEL option does not include the power transfer from door to frame, the power supply, or the control operator. Refer to EPT-2 power transfer and the PS902 or 914 power supply.

The PS902/914 with the 2RS, 4RL or 4R board is the minimum required. Other option boards available for other functions, see PS902/914 power supply for additional information.

The QEL has a low inrush current, so it can be used with standard Schlage power supplies. Calculate the peak current draw of all devices in the system to determine the required amperage of the supply.

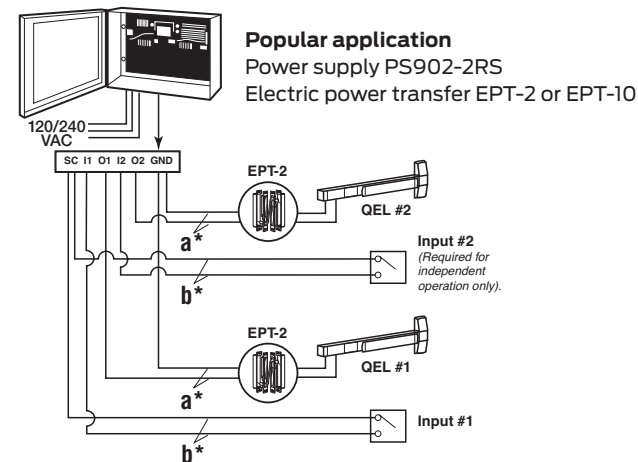
QEL Electrical load	
Voltage	24VDC
Current	1.0 A Inrush (0.5 sec.) / 0.14 A Holding

The 900-2RS option board designed to control two electric latch retraction devices and provide time delay between the firing of outputs is required. The power transfer is also sold separately.

Schlage PS902	Schlage PS904	Schlage PS906
up to 2 amps	up to 4 amps	up to 6 amps

### To order, specify:

Standard – use prefix QEL, example QEL99L.  
Special center case dogging – use prefix SD-QEL, example SD-QEL99L



### Popular application

Power supply PS902-2RS  
Electric power transfer EPT-2 or EPT-10

a*	Distance (one-way)	Wire gauge
	200´	18 AWG
	320´	16 AWG
	500´	14 AWG
	800´	12 AWG

b*	Wire selection	Switch wire size
	1200 ft. Max.	18 gauge standard