



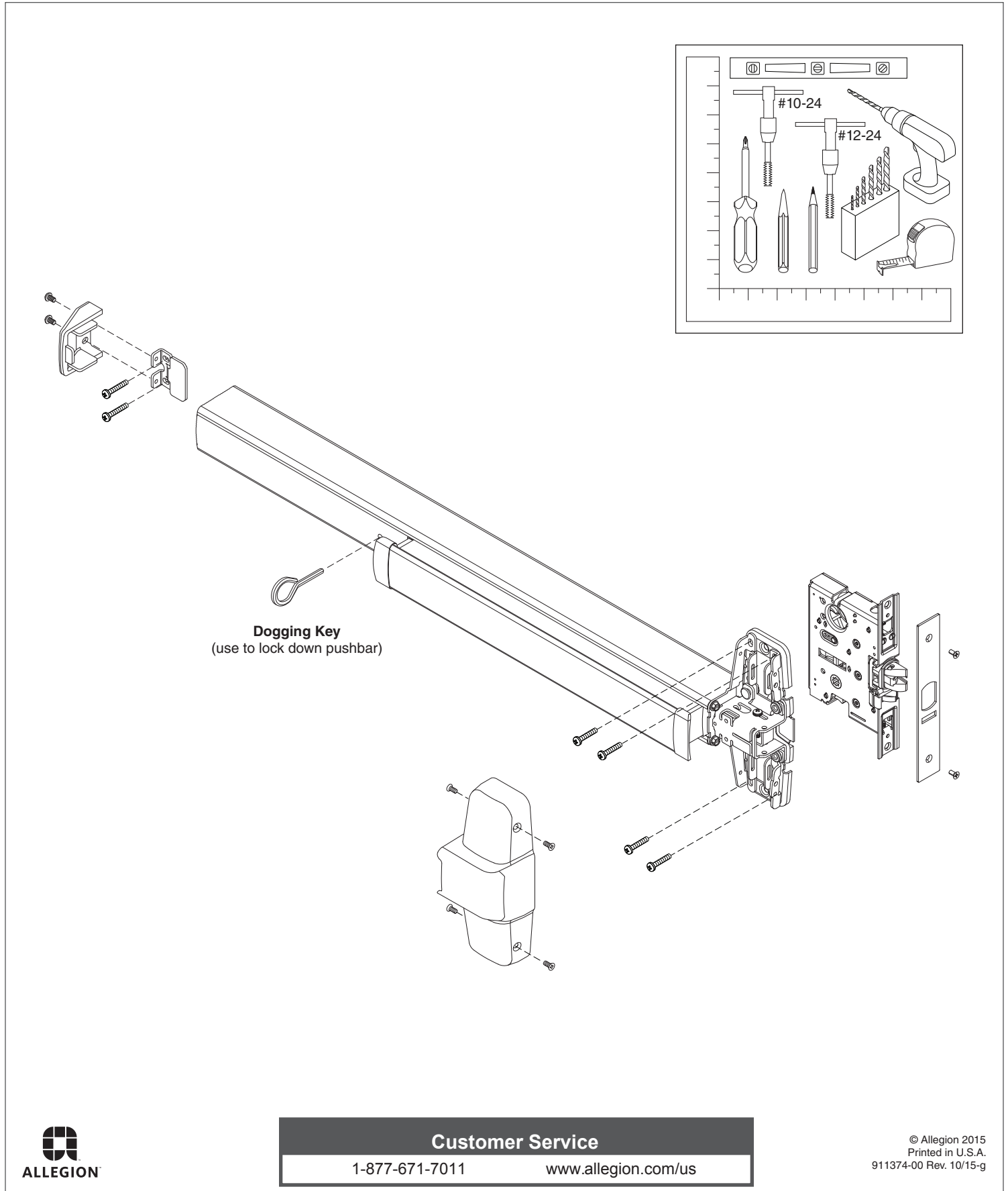
911374-00

9875/9975

VON DUPRIN®

Mortise Exit Device

Installation Instructions



Dogging Key
(use to lock down pushbar)



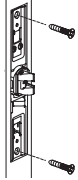
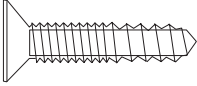
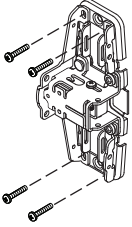
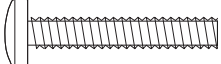
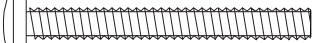
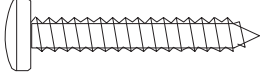
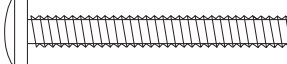
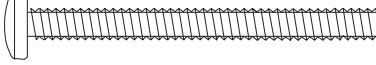

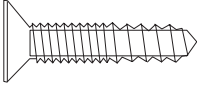

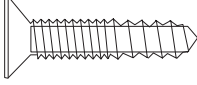
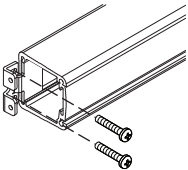
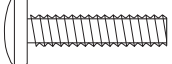
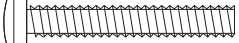
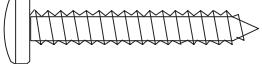
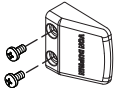
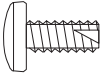
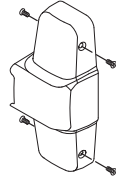
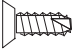
Customer Service

1-877-671-7011

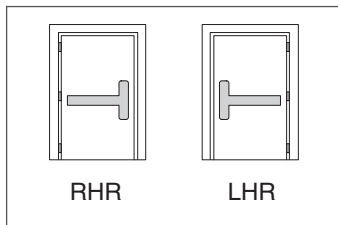
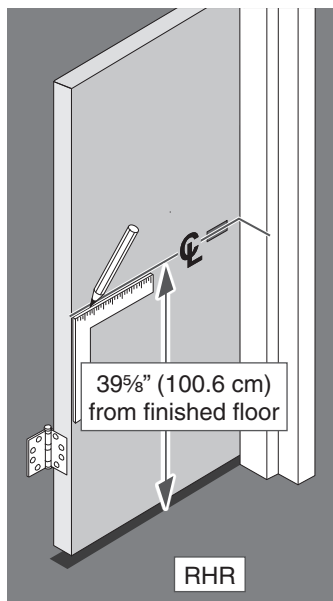
www.allegion.com/us

© Allegion 2015
Printed in U.S.A.
911374-00 Rev. 10/15-g

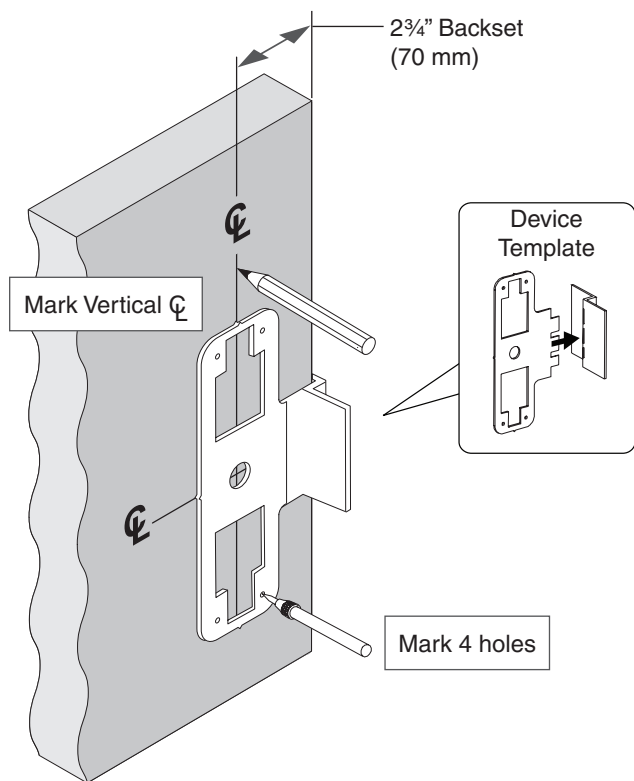
SCREW CHART

Subassembly	Screw	Application
A 	 <p>#12-12 x 12-24 x 1" (25 mm) Combination</p>	Metal or wood door
B 	 <p>#10-24 x 1" (25 mm)</p>  <p>#10-24 x 1 1/2" (38 mm)</p>  <p>#10 x 1 1/4" (32 mm) Wood screw</p> <p>Packaged with 990 Trims:</p>  <p>#10-24 x 1 3/8" (35 mm)</p>  <p>#10-24 x 1 7/8" (48 mm)</p>	<p>Surface mount or Sex bolts 1 3/4" (44 mm) door</p> <p>Sex bolts, 2 1/4" (57 mm) door</p> <p>Surface mount (wood)</p> <p>1 3/4" (44 mm) door, 990 Trim</p> <p>2 1/4" (57 mm) door, 990 Trim</p>
C 	 <p>#12-12 x 12-24 x 1" (25 mm) Combination</p>	Metal or wood frame
C 	 <p>#12-12 x 12-24 x 1" (25 mm) Combination</p>	Metal or wood door
D 	 <p>#10-24 x 3/4" (19 mm)</p>  <p>#10-24 x 1 1/8" (29 mm)</p>  <p>#10 x 1 1/4" (32 mm) Wood screw</p>	<p>Surface mount or Sex bolts 1 3/4" (44 mm) door</p> <p>Sex bolts, 2 1/4" (57 mm) door</p> <p>Surface mount (wood)</p>
E 	 <p>#10-16 x 3/8" (10 mm) Thread cutting</p>	End cap
F 	 <p>#8-18 x 3/8" (10 mm) Thread cutting</p>	Center case cover

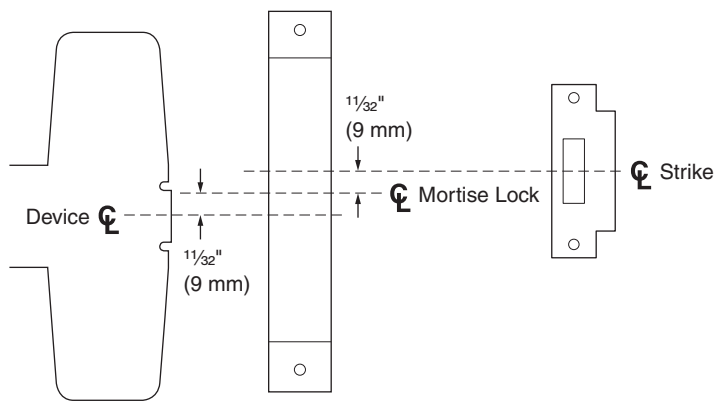
1 Draw horizontal device center line (C).



2 Position template on C and mark door.



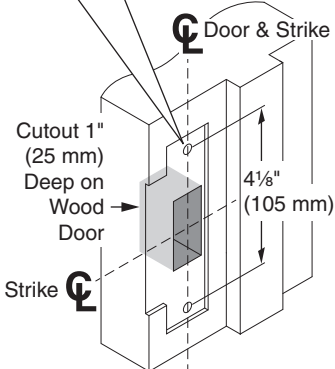
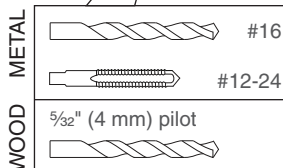
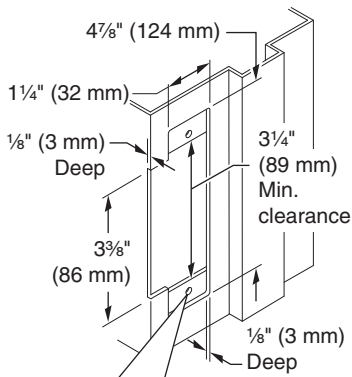
3 Locate strike center line (C).



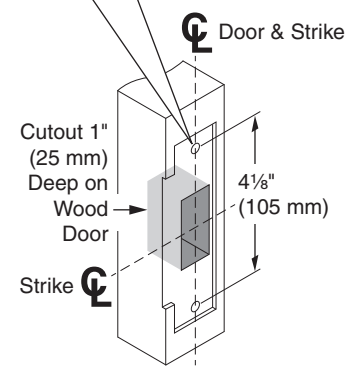
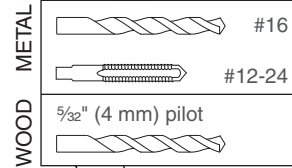
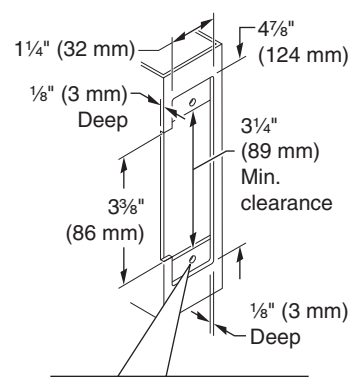
4 Prepare the door frame (or other door) for strike.

i 575, 575-2 strike shown. For 576A/576B strike preparation, see page 7.

575 STRIKE (Single Door)

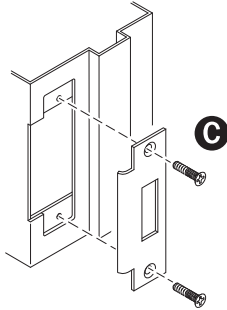


575-2 STRIKE (Double Door)



5 Install strike.

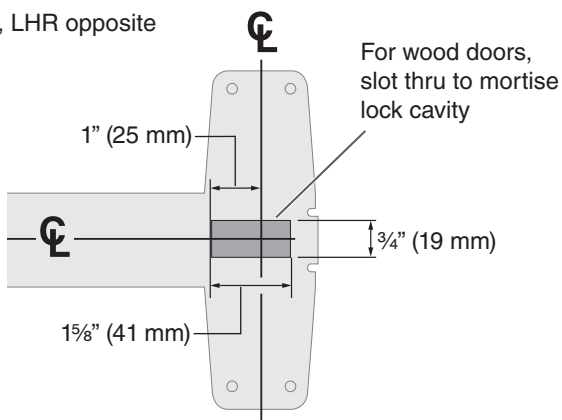
i For 576A/576B strike installation, see page 7.



i See "Screw Chart" on page 2 for screw types and sizes.

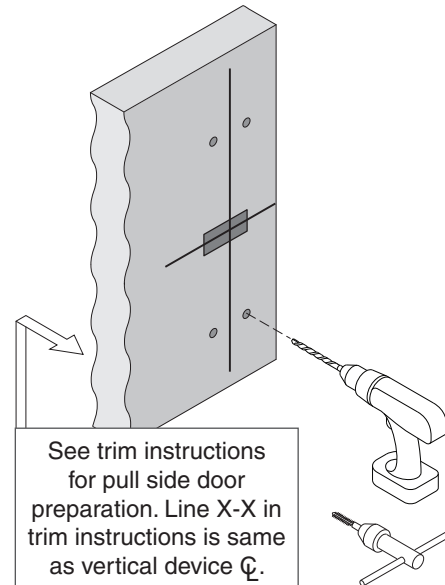
6 If necessary, prepare door cutout.

For all 98/9975 devices
RHR shown, LHR opposite



7 Prepare door for device and trim.

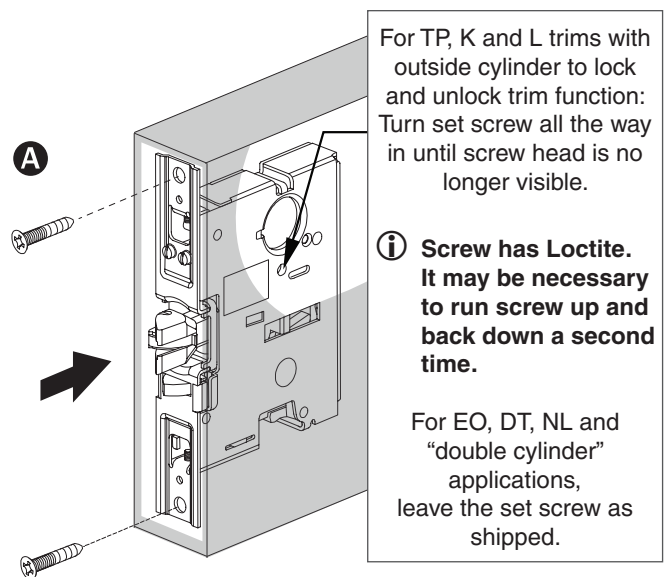
Prepare 4 center case mounting holes.



SURFACE MOUNT		OR	SEX BOLTS or 990 TRIMS	
METAL	#25		METAL	1/4" (6 mm) Device Side
	#10-24			1 3/32" (10 mm) Trim Side
WOOD	1/8" (3 mm) x 1" (25 mm) Deep		WOOD	1 3/32" (10 mm) Drill Thru

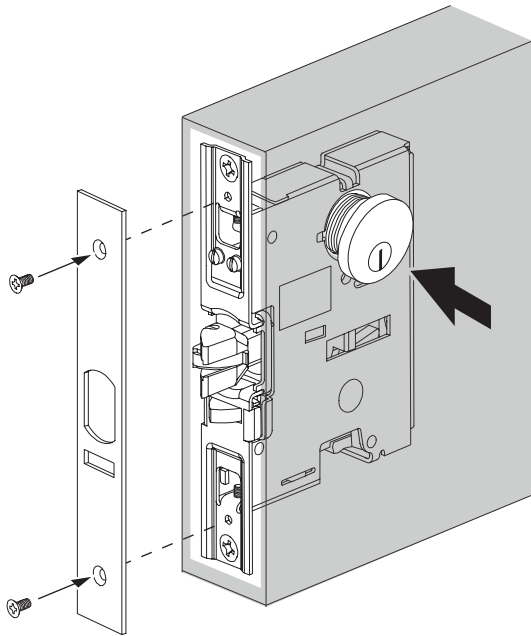
8 Install mortise lock into door.

i See 7500 mortise lock instruction #941019.

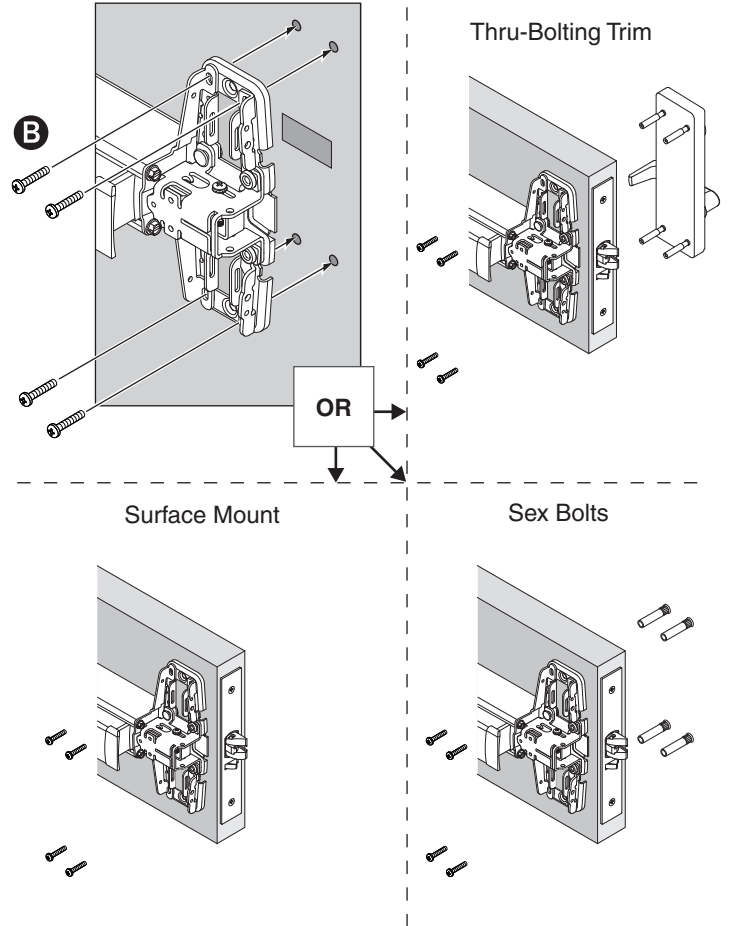


9 Install outside locking cylinder (if using) and complete installation of mortise lock.

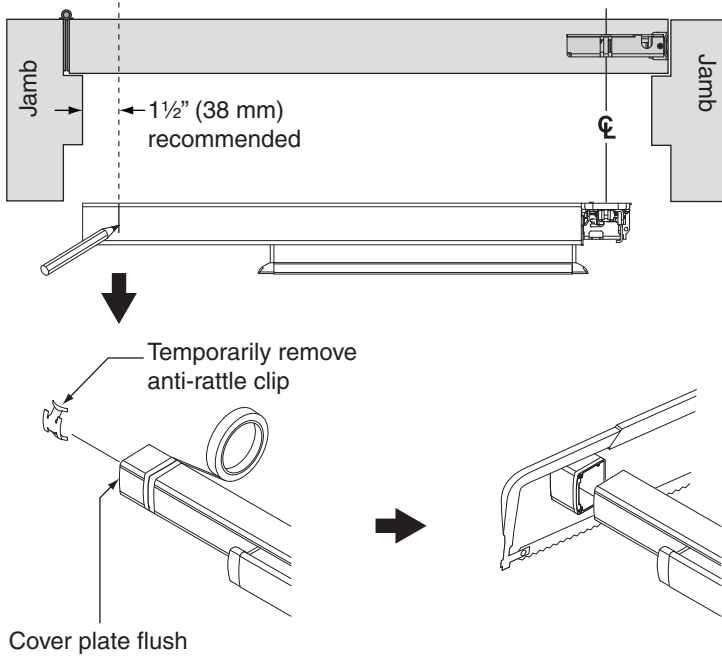
i See 7500 mortise lock instruction #941019.



11 Install trim (if using) and attach center case to door.

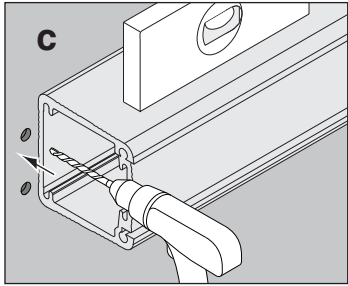
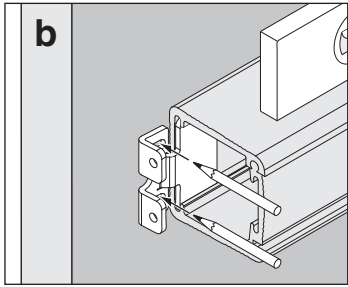
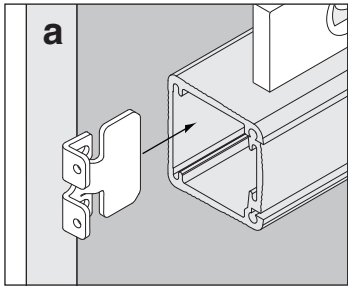


10 If necessary, cut device.



12 Mark and prepare two holes for end cap bracket.

i Prepare holes after lock side of device is mounted and hinge side is leveled.

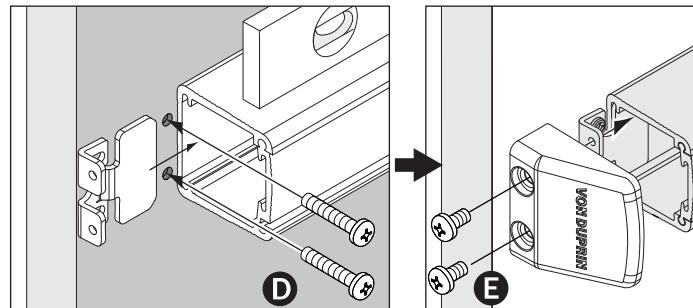


SURFACE MOUNT	
METAL	#25
WOOD	#10-24
	1/8" (3 mm) x 1" (25 mm) Deep

OR

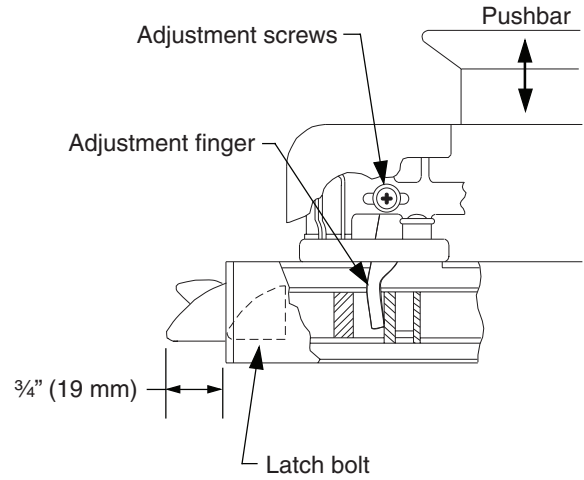
SEX BOLTS	
METAL	1/4" (6 mm) Device Side
WOOD	13/32" (10 mm) Trim Side
	13/32" (10 mm) Drill Thru

13 Install end cap bracket and end cap.



14 Adjust latch bolt.

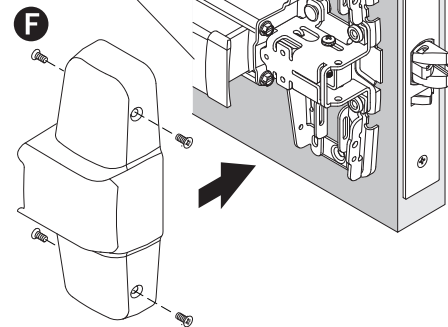
TOP VIEW



Loosen adjustment screws and adjust finger in or out until latch bolt is fully retracted (with pushbar down) and fully extended 3/4" (with pushbar up).

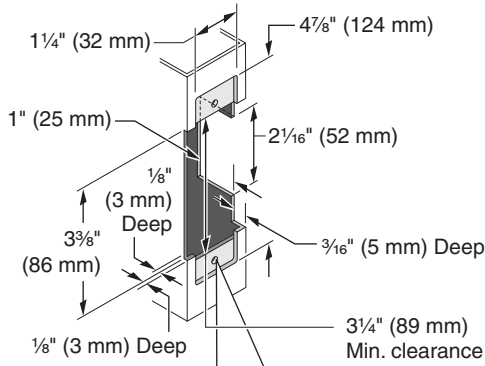
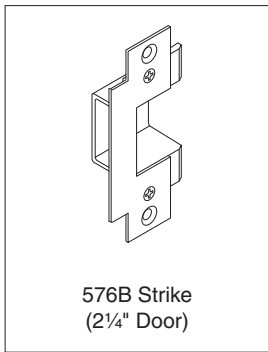
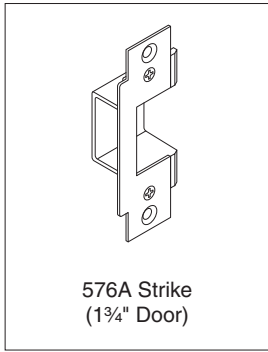
15 Install center case cover.

Remove protective film from pushbar

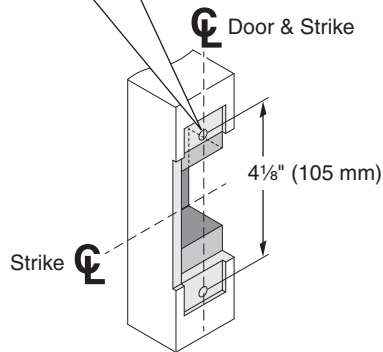


576A/576B STRIKE PREPARATION & INSTALLATION

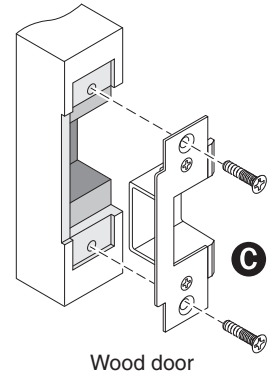
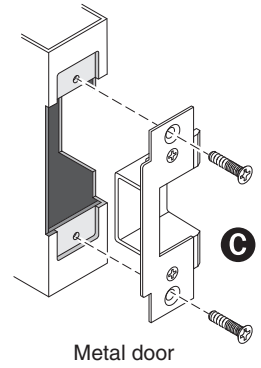
PREPARATION



METAL		#16
METAL		#12-24
WOOD		5/32" (4 mm) pilot
WOOD		

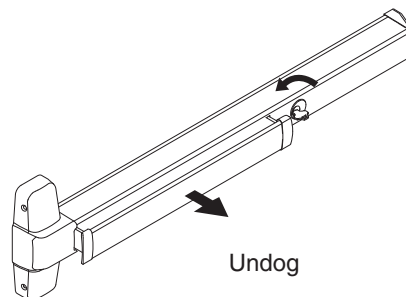
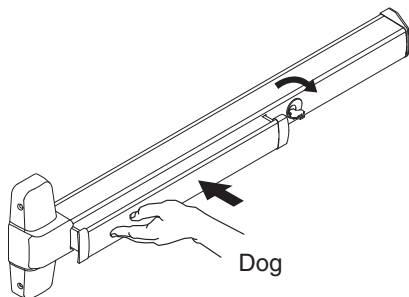
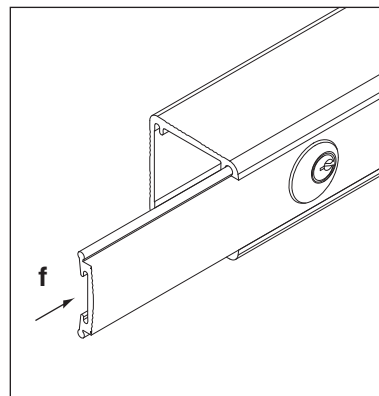
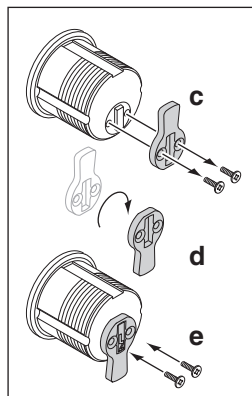
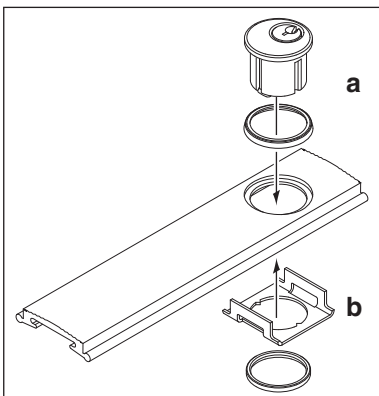


INSTALLATION



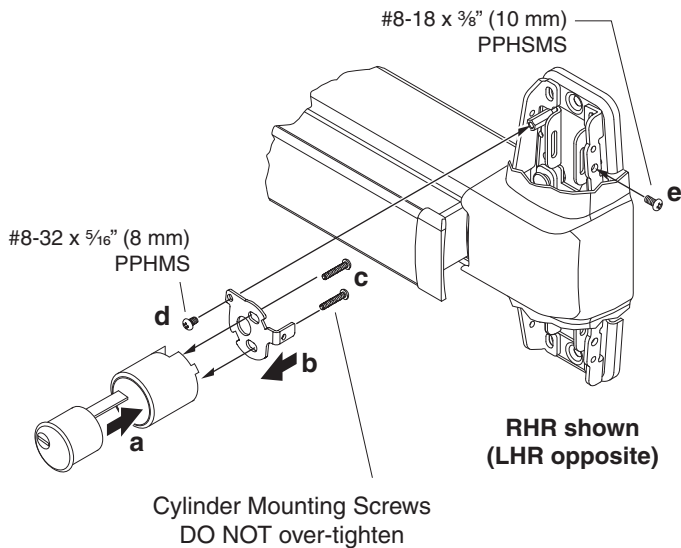
OPTIONAL EQUIPMENT

CD (Cylinder Dogging) Option

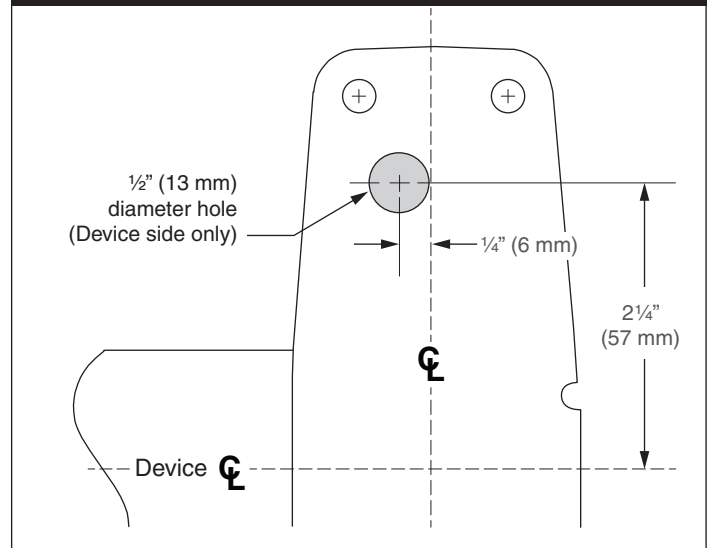


OPTIONAL EQUIPMENT (98/9975-2 DOUBLE CYLINDER)

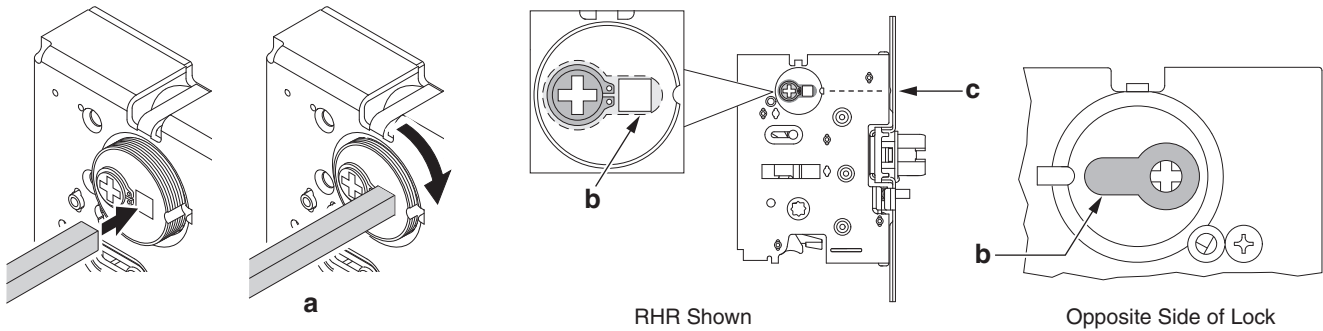
Install Cylinder



Door Cutout for 98/9975-2 "Double Cylinder" Option

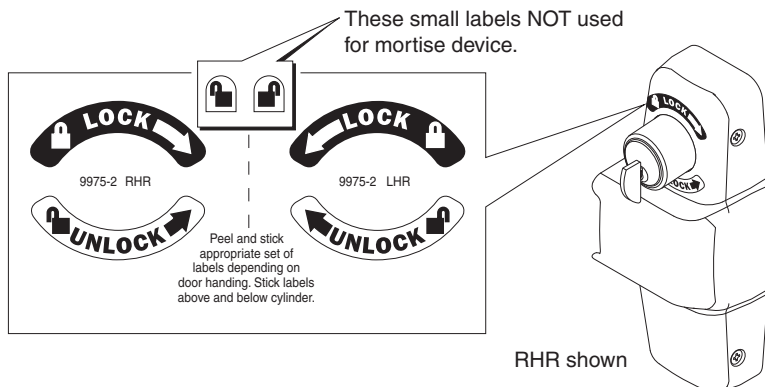


Install Cylinder Adapter Plug Assembly to Mortise Lock



- Screw cylinder adapter plug assembly into lock on device side using a 1/4" (6 mm) square socket driver.
- Position finger as shown.
- Tighten cylinder screw to hold in place.

A lock/unlock label is an available option that can be used with the 98/9975-2, and is sold separately. The labels are applied above and below cylinder to match door handing.



i Manually affix the label:

Ensure surface is clean of dirt, dust, or oils. Clean with alcohol if necessary.

Peel the label from the paper backing and apply to the surface. Minimize handling when applying and use pressure to burnish label to surface. The adhesive will require up to 8 hours to achieve the proper bond.



941920-00

E-7500 Mortise Lock SS-7500 Mortise Lock

VON DUPRIN®

Electrical Wiring

Installation Instructions

OPERATION:

The E-7500 Mortise Lock has an electric lock solenoid and two monitor switches. The SS-7500 Mortise Lock has only the two monitor switches.

The solenoid is used to electrically lock or unlock the mechanical trim. The fail secure version requires power to unlock the trim. The fail safe version requires power to lock the trim.

The latch bolt monitor switch S1 indicates the auxiliary bolt is depressed (door closed) and the latchbolt is fully extended (Figure 3).

The trim lock switch S2 indicates whether the mechanical trim inputs are locked or unlocked (Figure 3).

The standard unit is available in either non polarized 12 VDC or 24 VDC operation (must be specified). An optional SO kit is required for AC operation. The SO-12 kit converts 12 VAC to 12 VDC. The SO-24 kit converts 24 VAC to 24 VDC. This equipment must be used in accordance with the National Electric Code.

INSTALLATION:

1. For device or trim preparation, see their directions.
2. Prepare door for mortise lock (see 7500 Mortise Lock instructions).
3. Install SO kit when using 12 or 24 VAC power supply (Figure 1). For wood fire door, locate SO kit in frame.
4. Wire mortise lock as shown. Leave adequate lengths of wire to make all connections before inserting lock in door.
5. Test operation: Applying power to the solenoid of fail secure lock unlocks the trim. Applying power to the solenoid of fail safe lock locks the trim.
6. Install mortise lock.

SOLENOID POWER REQUIREMENTS
 Yellow solenoid wires: 12 VDC, 0.65 A
 Black solenoid wires: 24 VDC, 0.34 A

NOTES
 DC input to solenoid is nonpolarized
 For wood fire door locate SO kit in frame

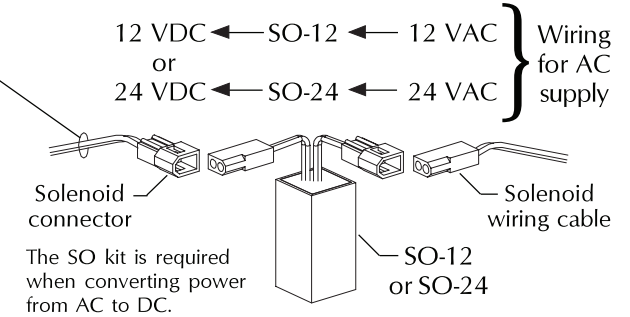


Figure 1

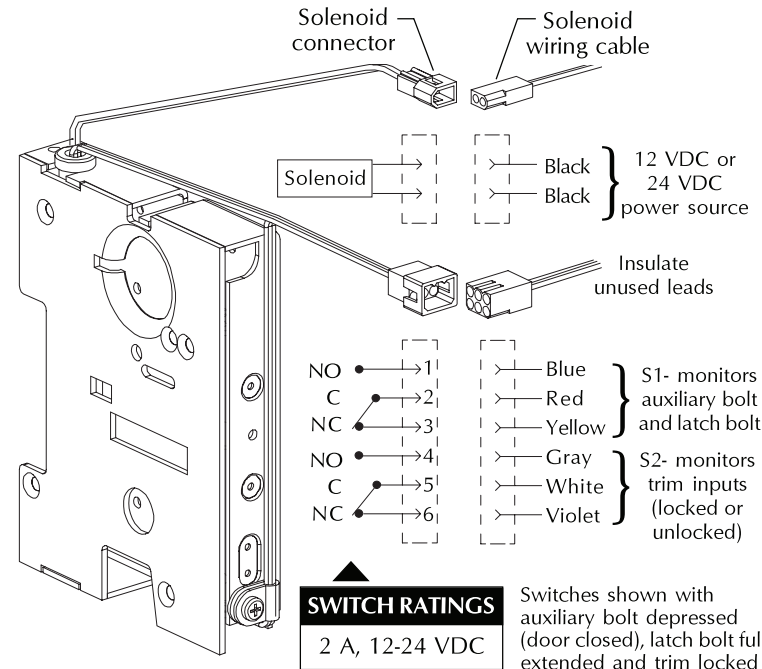


Figure 2

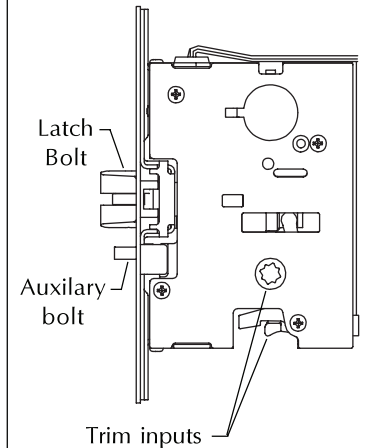


Figure 3

Customer Service
 1-877-671-7011 www.allegion.com/us

