



44487106

PS-900 Series Option Boards

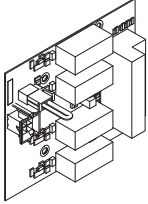
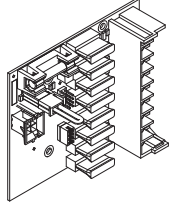
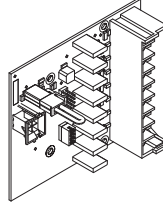


Installation Instructions

⚠ DANGER ⚠

To avoid risk of electric shock, turn off AC power to power supply before installing or wiring option board

This sheet covers:

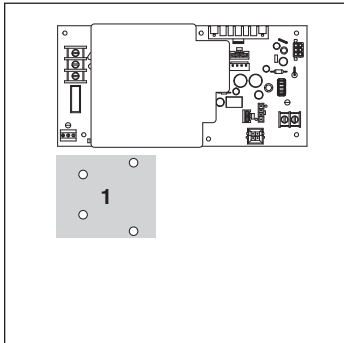
<p>900-4R 4 Independently Controlled Relays</p>  <p>Page 2</p>	<p>900-8F 8 Fuse Protected Outputs</p>  <p>Page 3</p>	<p>900-8P 8 PTC Protected Outputs</p>  <p>Page 4</p>
--	---	--

Refer to installation instructions for compatible supply models - PS902, PS904, PS906, and PS914.

1 INSTALL OPTION BOARD(S) INTO POWER SUPPLY

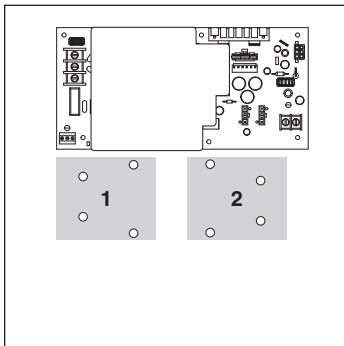
a Review Available Board Mounting Locations (gray)

PS902

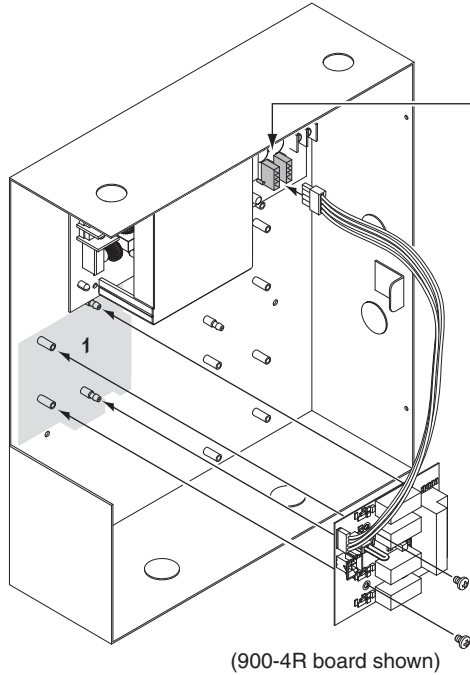
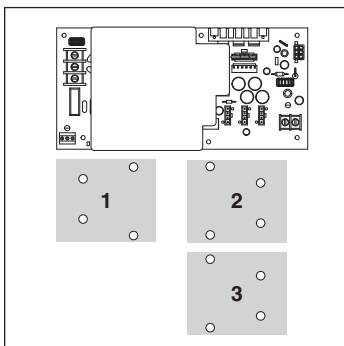


PS904

PS914



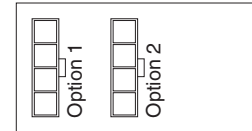
PS906



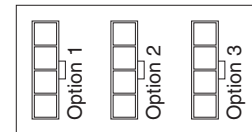
b Plug Cable into any Available Option Connector



PS902



PS904, 914



PS906

c Secure Board(s) with Screws

Customer Service

1-877-671-7011

www.allegion.com

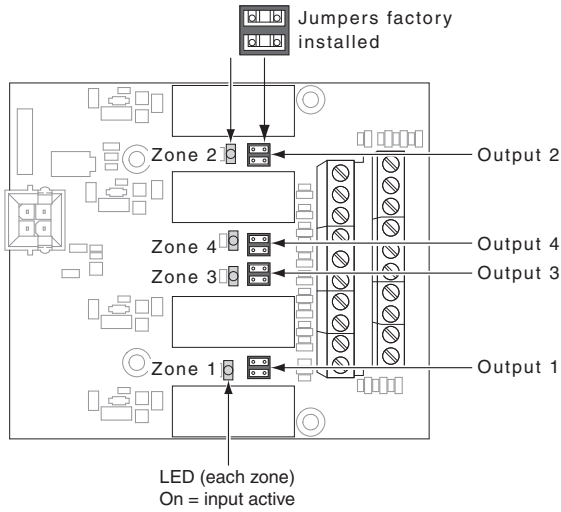
900-4R Specifications

Inputs I1-I4	Dry contacts required (Closed = Active) Connect control contacts between SC (Signal Common) and any input
Outputs O1-O4	• Form C contacts rated 30VDC, 3A (dry) • 12/24VDC, 3A (wet) when AC powered • 9.6-13.2VDC or 19.2-26.4VDC when battery powered • Maximum load cannot exceed power supply ratings or 6A for outputs combined
Board Input Power	Board requires 0.18A max. of power supply output current to operate
Temperature Range	32°-120° F (0°- 49° C)
Compliance	UL 294, ULC-S318, RoHS, & FCC Part 15
Fire Alarm Input	Accepts 900-FA Fire Alarm Board (Optional)

Function: Four independent dry-contact inputs control four Form C outputs

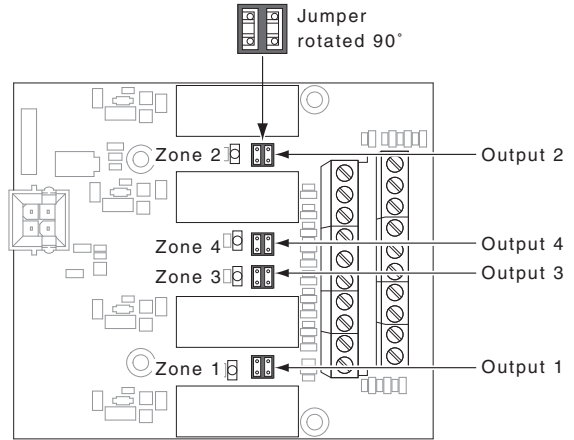
**Powered Outputs
(Default)**

By default, all outputs provide 12/24VDC



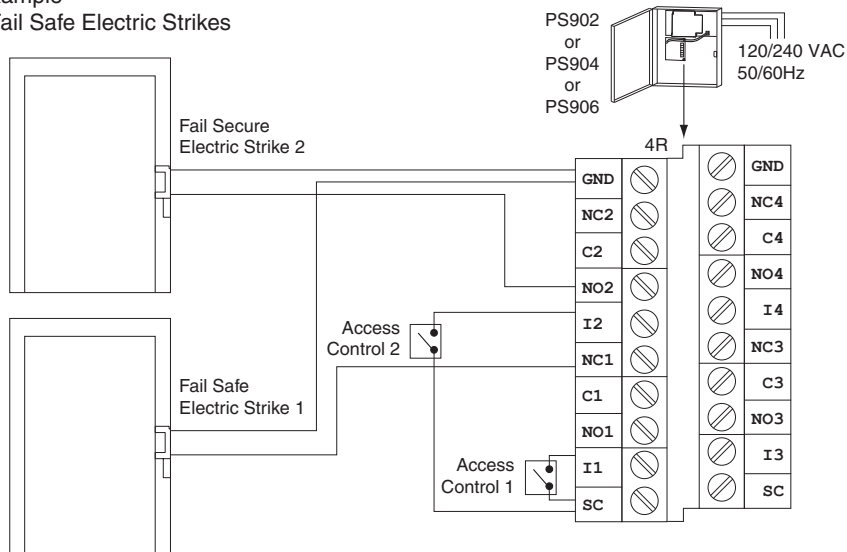
**Dry Contact Outputs
(Optional)**

For dry contact outputs, remove appropriate jumpers and rotate 90°, then reinstall (Zone 1 - Zone 4)



900-4R Wiring Example

Fail Secure and Fail Safe Electric Strikes



Note:
Fail secure output only allowed if approved by Authority Having Jurisdiction

Refer to Wire Table (page 4)