



44487106

PS-900 Series Option Boards

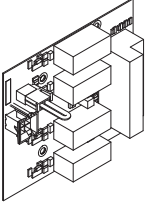
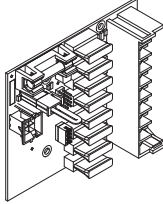
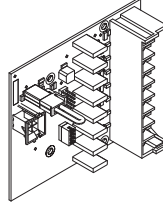


Installation Instructions

⚠ DANGER ⚠

To avoid risk of electric shock, turn off AC power to power supply before installing or wiring option board

This sheet covers:

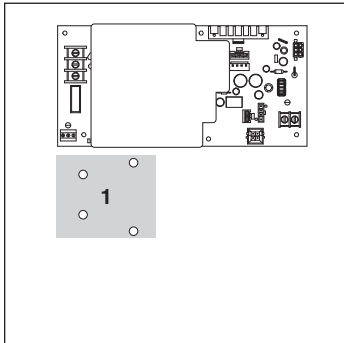
<p>900-4R 4 Independently Controlled Relays</p>  <p>Page 2</p>	<p>900-8F 8 Fuse Protected Outputs</p>  <p>Page 3</p>	<p>900-8P 8 PTC Protected Outputs</p>  <p>Page 4</p>
--	---	--

Refer to installation instructions for compatible supply models - PS902, PS904, PS906, and PS914.

1 INSTALL OPTION BOARD(S) INTO POWER SUPPLY

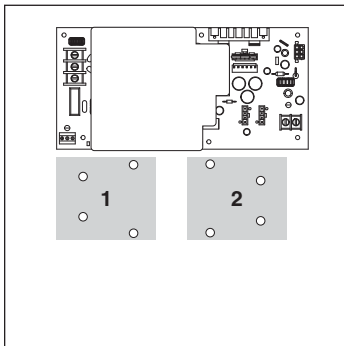
a Review Available Board Mounting Locations (gray)

PS902

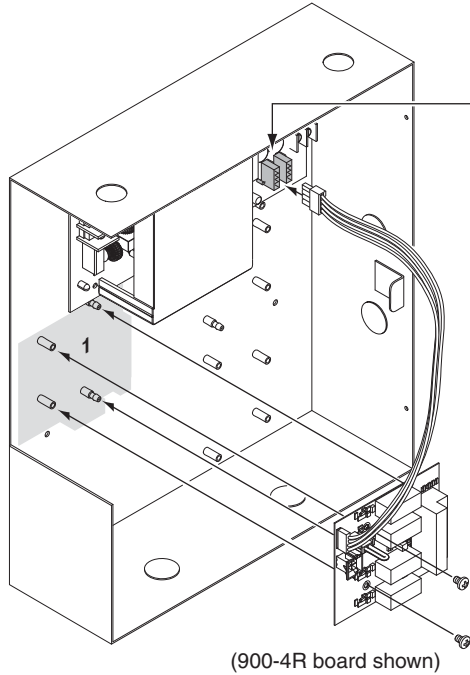
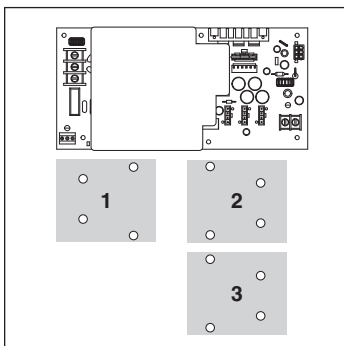


PS904

PS914



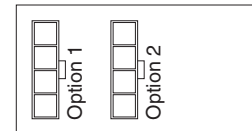
PS906



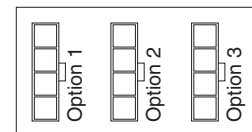
b Plug Cable into any Available Option Connector



PS902



PS904, 914



PS906

c Secure Board(s) with Screws

Customer Service

1-877-671-7011

www.allegion.com

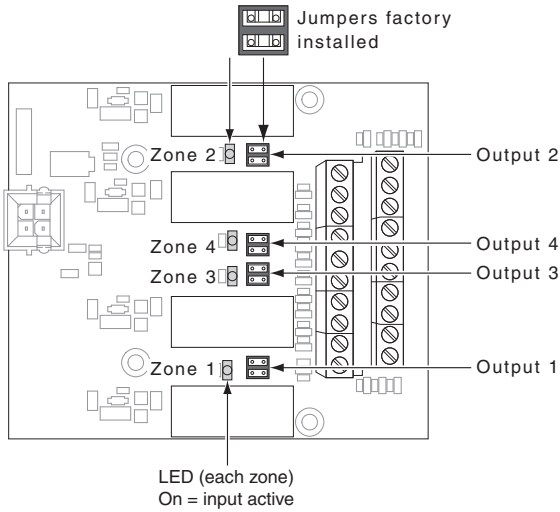
900-4R Specifications

Inputs I1-I4	Dry contacts required (Closed = Active) Connect control contacts between SC (Signal Common) and any input
Outputs O1-O4	• Form C contacts rated 30VDC, 3A (dry) • 12/24VDC, 3A (wet) when AC powered • 9.6-13.2VDC or 19.2-26.4VDC when battery powered • Maximum load cannot exceed power supply ratings or 6A for outputs combined
Board Input Power	Board requires 0.18A max. of power supply output current to operate
Temperature Range	32°-120° F (0°- 49° C)
Compliance	UL 294, ULC-S318, RoHS, & FCC Part 15
Fire Alarm Input	Accepts 900-FA Fire Alarm Board (Optional)

Function: Four independent dry-contact inputs control four Form C outputs

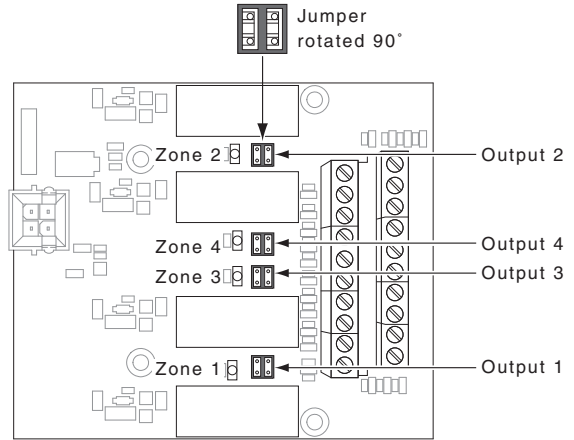
**Powered Outputs
(Default)**

By default, all outputs provide 12/24VDC



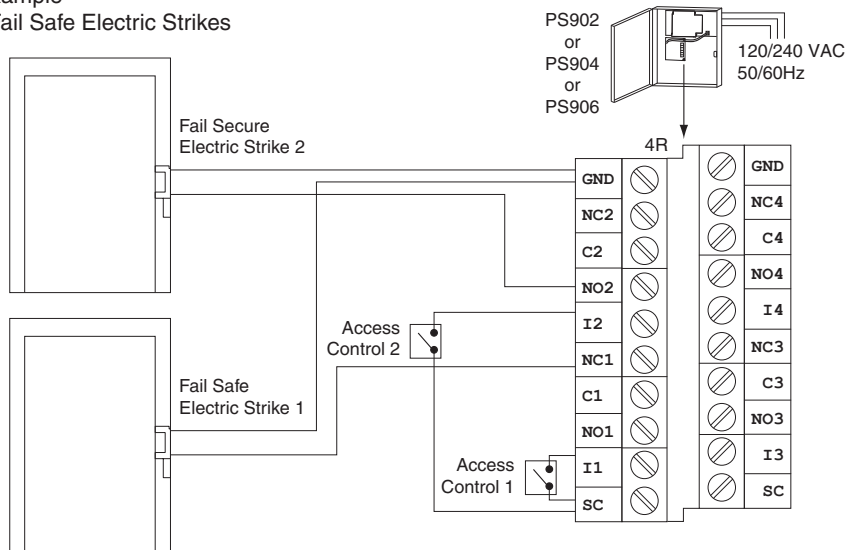
**Dry Contact Outputs
(Optional)**

For dry contact outputs, remove appropriate jumpers and rotate 90°, then reinstall (Zone 1 - Zone 4)



900-4R Wiring Example

Fail Secure and Fail Safe Electric Strikes



Note:
Fail secure output only allowed if approved by Authority Having Jurisdiction

Refer to Wire Table (page 4)

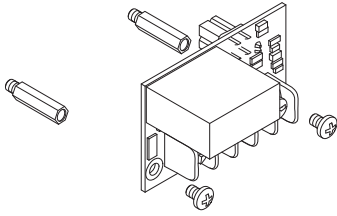


44487072

900-FA Fire Alarm Input



Installation Instructions

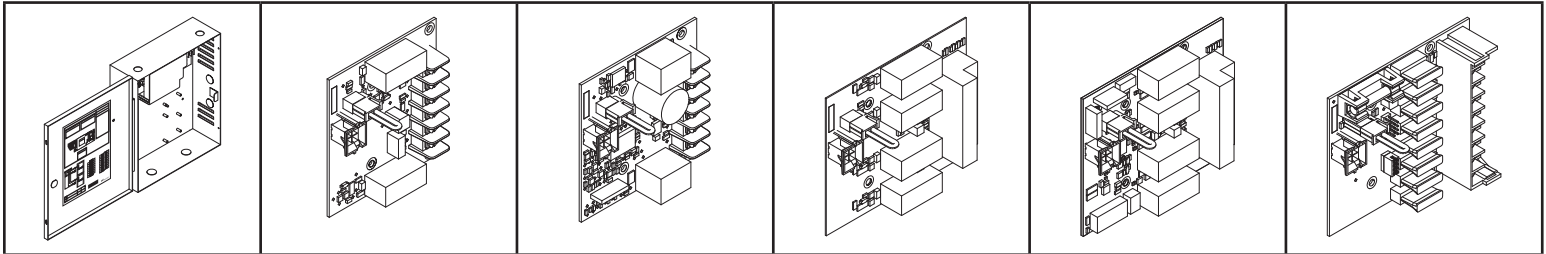


Input (Fire Alarm)	Dry contacts required (Closed = no fire alarm) Connect control contacts between FA1 and FA2
Output (Supervision)	30VDC, 1A resistive dry contact
Board Input Power	Board requires 0.05A max. of power supply output current to operate
Temperature Range	32°-120° F (0°- 49° C)
Compliance	UL 294, ULC-S318, RoHS, & FCC Part 15

The 900-FA Fire Alarm board can be installed on any one of the following power supply or option boards (refer to installation instructions):

WARNING

To avoid risk of electric shock, turn off AC power to power supply before installing or wiring 900-FA board. In the event a fire alarm is active, this board will remove power from the PS902 DC output and any 900-series option board output.



PS902 Power Supply

900 2RS (2 relay)

900-2Q
(2 Relay w/com)

900-4R (4 Relay)

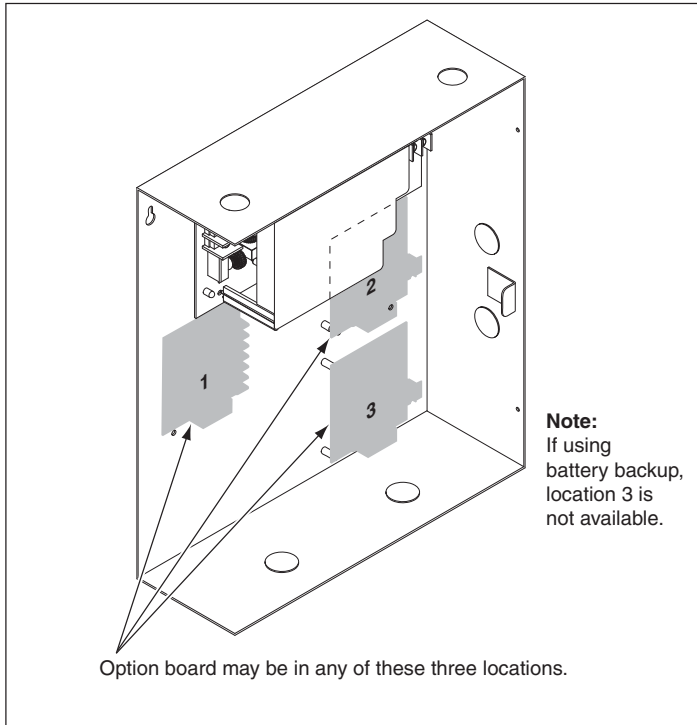
900-4RL
(4 Relay w/logic)

900-8F (8 Zone,
Distribution-fuse)
900-8P (8 Zone,
Distribution-PTC)

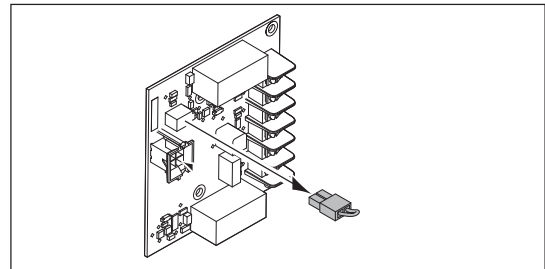
- If 900-FA was factory installed, go to step 2
- If installing to option board, go to 1a
- If installing to PS902 main board, go to 1b

1a If installing to option board

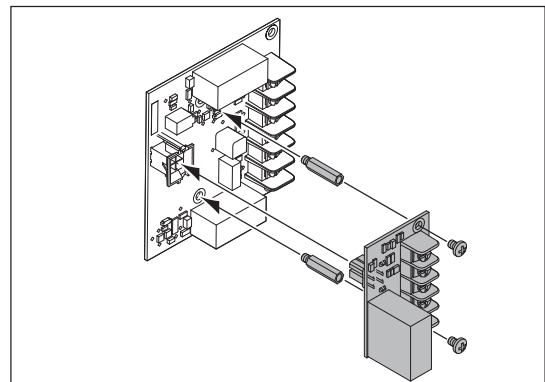
Choose Option Board where 900-FA is to be Installed



Remove Jumper from Option Board



Install 900-FA to Option Board

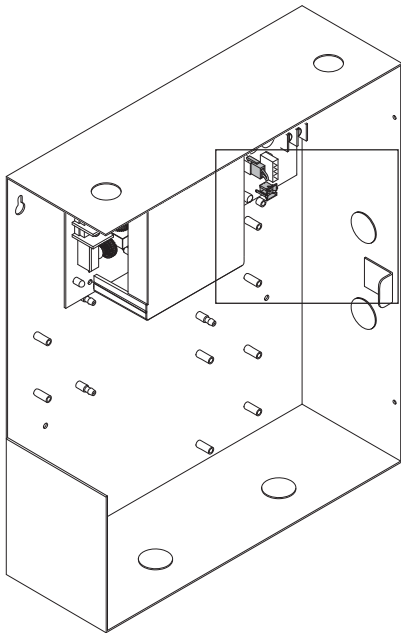


Customer Service

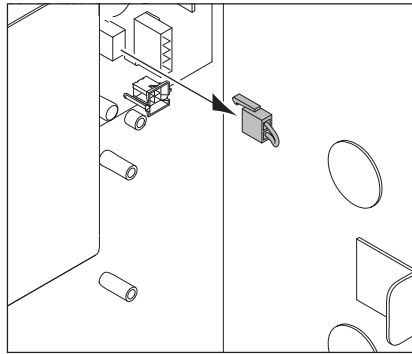
1-877-671-7011

www.allegion.com

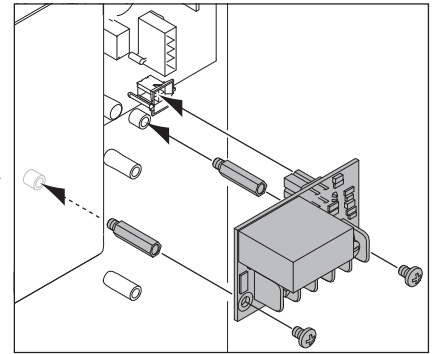
1 b If installing to PS902 main board



Remove Jumper



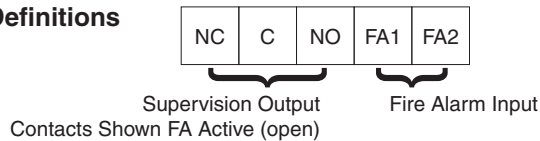
Install 900-FA Here



Note: Complete power failure shall result in a fail safe operation. When connected to a fire alarm releasing control unit, total loss of power for the locking mechanisms shall be configured for a fail safe operation.

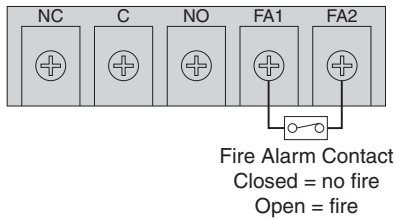
2 900-FA wiring

Terminal Definitions

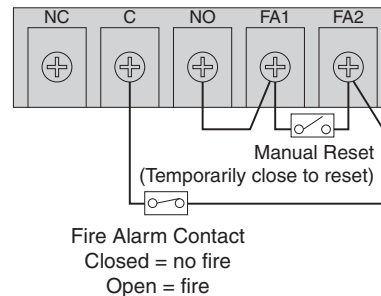


Note: Use 18 gauge wire for all wiring. Wire length dependent on physical layout.

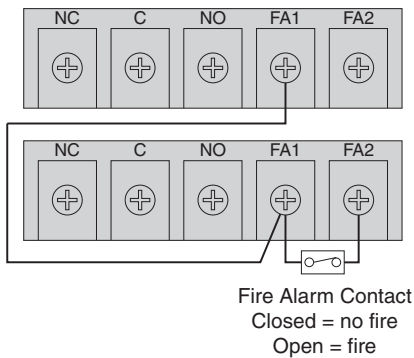
One 900-FA Board - Automatic Reset



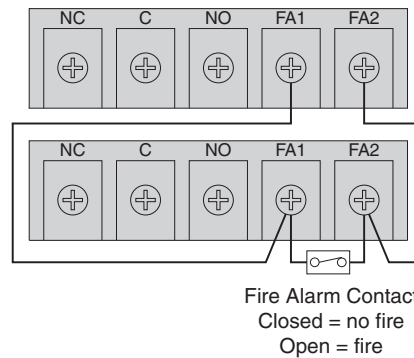
One 900-FA Board - Manual Reset



Two 900-FA Boards on one power supply Automatic Reset



Two 900-FA Boards on two power supplies Automatic Reset



NOTE: WHEN INSTALLATION IS COMPLETE, SECURE ENCLOSURE DOOR WITH SCREWS OR KEYLOCK