

**VON DUPRIN**

**INSTALLATION DIRECTIONS**

**BEFORE APPLYING THIS DEVICE**

- A. Threshold (if any) must be installed.
- B. Doors must be fitted and hung.
- C. Check that handing of hardware corresponds with handing of door. See Fig. 3.

**1. APPLY STRIKE**

- A. Tape appropriate strike template No. 3 or No. 4 depending on handing of door to stop.
- B. When Von Duprin Mullion is used apply strike at tapped holes in Mullion. (See illustration 1.)

**2. PREPARE DOOR**

- A. Tape full size template No. 1 or 2, depending on handing of door, to inside face of lock stile. Be sure center line of device is 39-13/16" from finished floor.

**NOTE:** BE SURE CENTERLINE OF LOCK STILE CASE IS PARALLEL TO STOP AND THAT EDGE OF CASE IS 3/16 FROM EDGE OF STRIKE. STRIKE MUST BE SHIMMED OUT IF LOCK CASE IS MOUNTED MORE THAN 3/16 FROM STRIKE.

- B. Prepare door as shown. See Fig. 1 for wood door application, and Fig. 2 for metal door application.

**3. APPLY OUTSIDE TRIM**

- A. See directions in trim carton. Line "X-X" on trim template corresponds to line "X-X" on device template and is parallel to edge of door. Transfer line "X-X" from inside face to outside face of door.
- B. Prepare outside face of lock stile.
- C. If necessary, cut off knob spindle to extend 1/4" to 1/2" and cylinder tailpiece to extend 5/8" to 3/4" thru door and into device case.
- D. Apply outside trim.

**4. INSTALL LEVER ARMS**

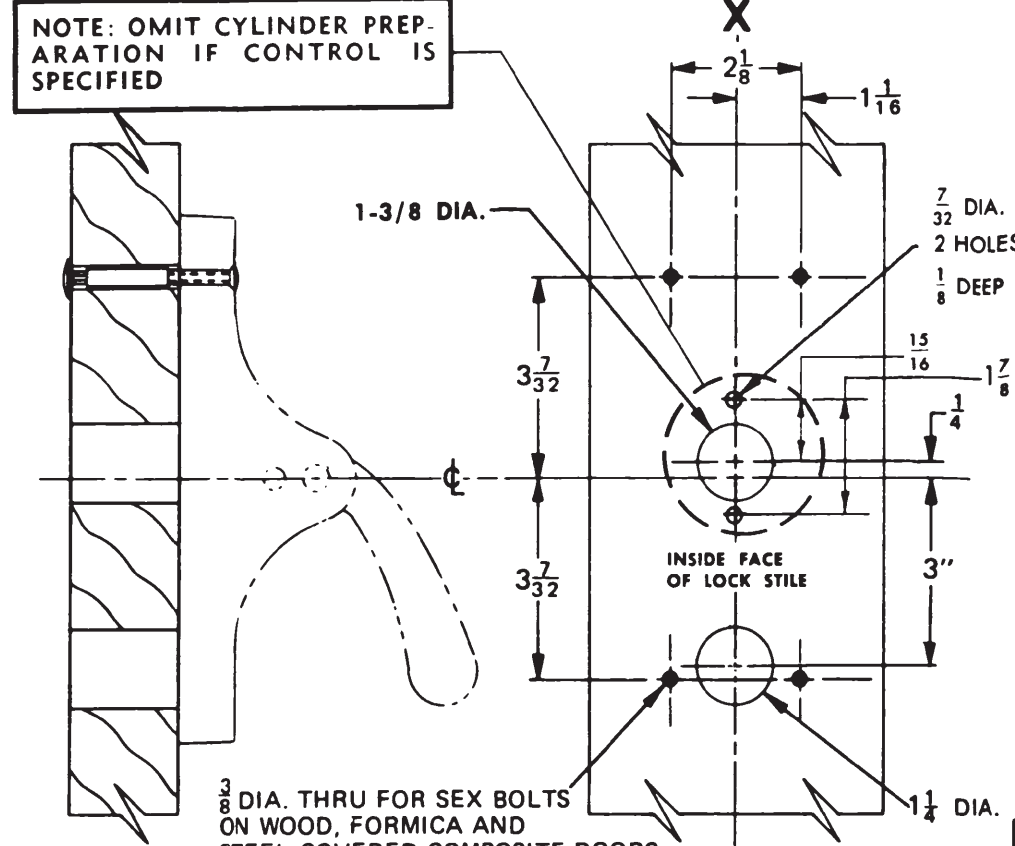
- A. Insert lever arms into lock stile and hinge stile cases.
- B. Assemble axles and tighten securely. (See instructions in axle envelope.)

**5. APPLY LOCK STILE CASE**

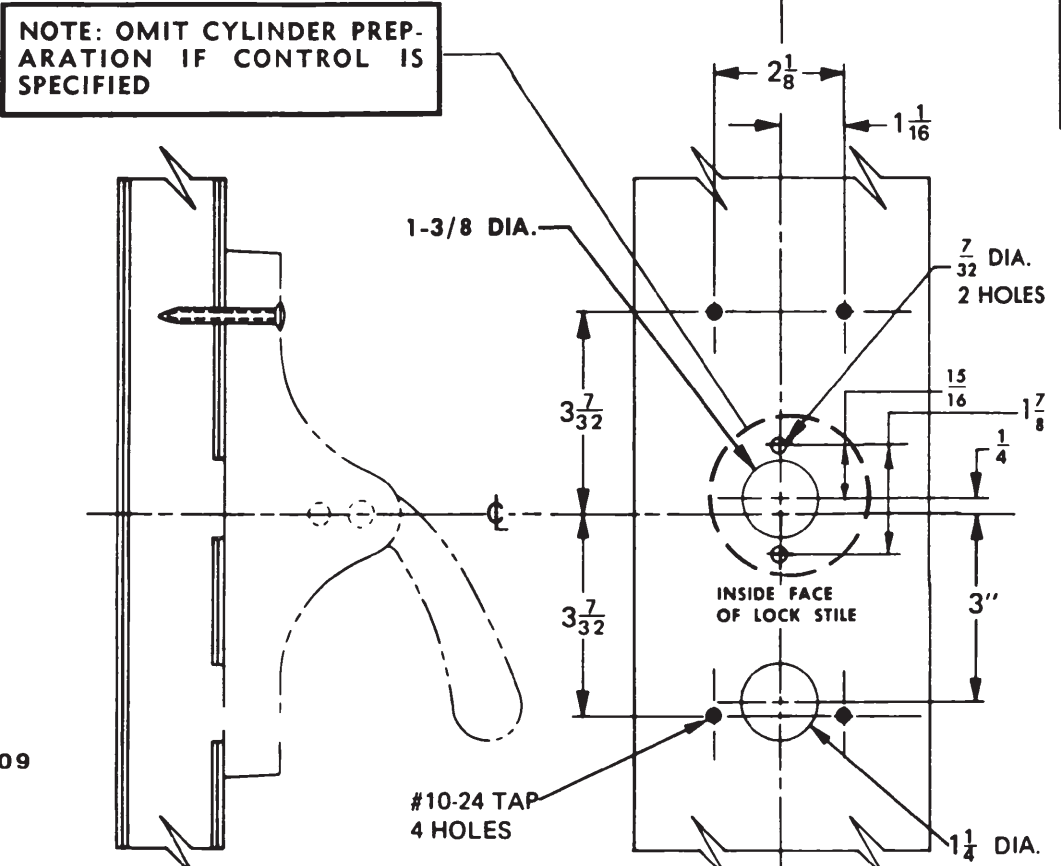
- A. Remove key from cylinder.
- B. Position cylinder cam as shown in Fig. 3.
- C. Attach lock stile case to door. (See Fig. 1 or Fig. 2)
- D. Test key and knob action.

**6. APPLY HINGE STILE CASE AND CROSSBAR TUBE (FIG. 4)**

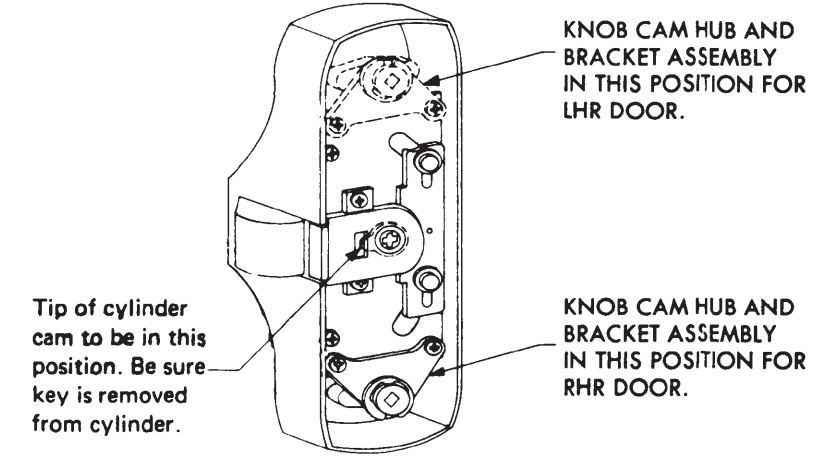
- A. Slip crossbar tube on lock stile and hinge stile lever arms. (See Direction No. 941009 for cutting crossbar, if necessary.)
- B. Be sure crossbar is level and hinge stile case is parallel to edge of door and approximately on centerline of exposed stile.
- C. Using holes in hinge stile case, mark location and prepare door for attaching screws.
- D. Apply hinge stile case with crossbar in place.
- E. Tighten wedge-tite set screws securely with dog key and screwdriver or equivalent for leverage, and test crossbar for free action. (See Direction No. 941009 for these instructions.)



**FIG. 1 WOOD DOOR APPLICATION**



**FIG. 2 METAL DOOR APPLICATION X**

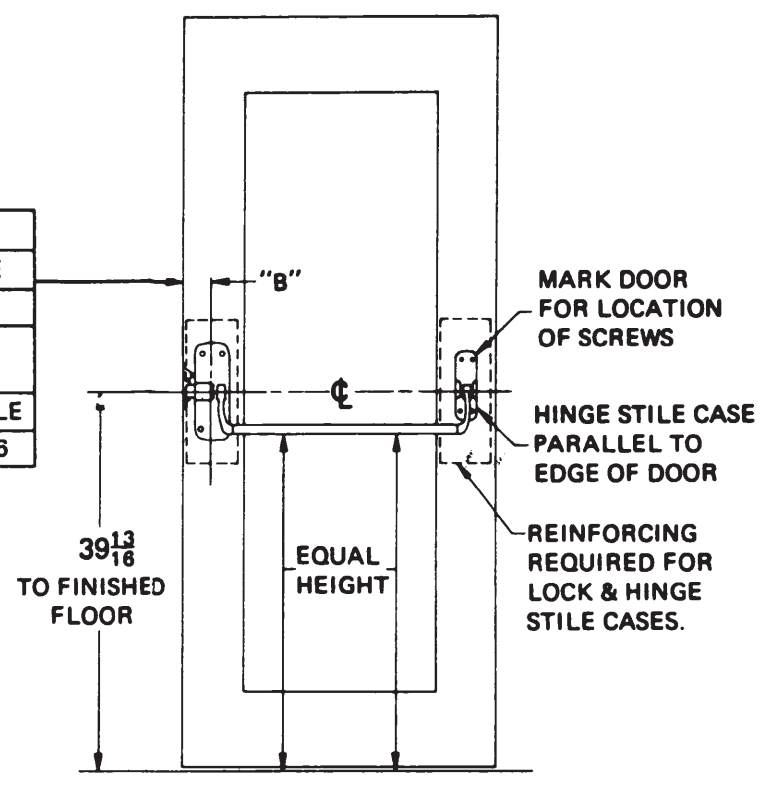


**FIG. 3**

SINGLE DOOR INSTALLATION		
STRIKE	DIMENSION "B"	MIN. STILE
268	2-3/8	4-3/8

DOUBLE DOOR INSTALLATION WITH VON DUPRIN MULLIONS		
MULLION x STRIKE	DIMENSION "B"	MIN. STILE
8854 x 268	3-3/8	4-11/16

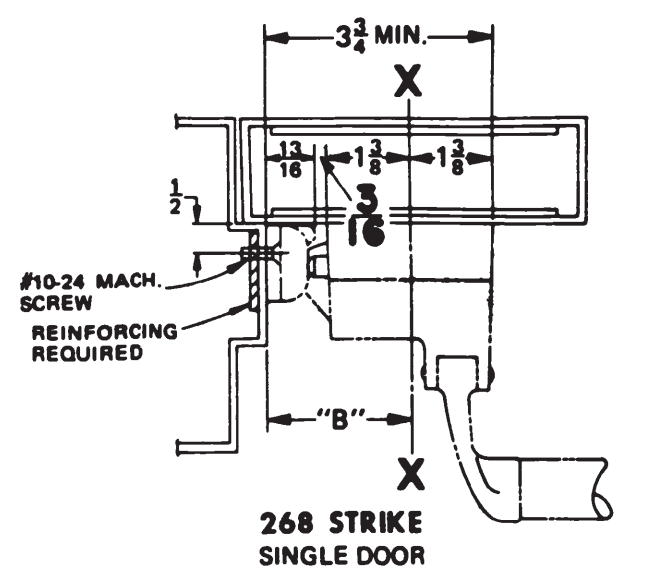


**FIG. 4**

SINGLE DOOR OPENING 39-13/16 TO FINISHED FLOOR	
THRESHOLD NO.	TO FIN. FLOOR
350 or 360	39-13/16
355 or 365	
390	
ALL OTHER THRESHOLDS	39-13/16
NO THRESHOLD (FLAT SILL)	

**FOR TRIM APPLICATION SEE DIRECTIONS IN TRIM CARTON**

DESCRIPTION	88K-F SERIES RIM DEVICE
-------------	-------------------------



**ILLUSTR. 1**  
9954 MULLION WITH 268 STRIKE

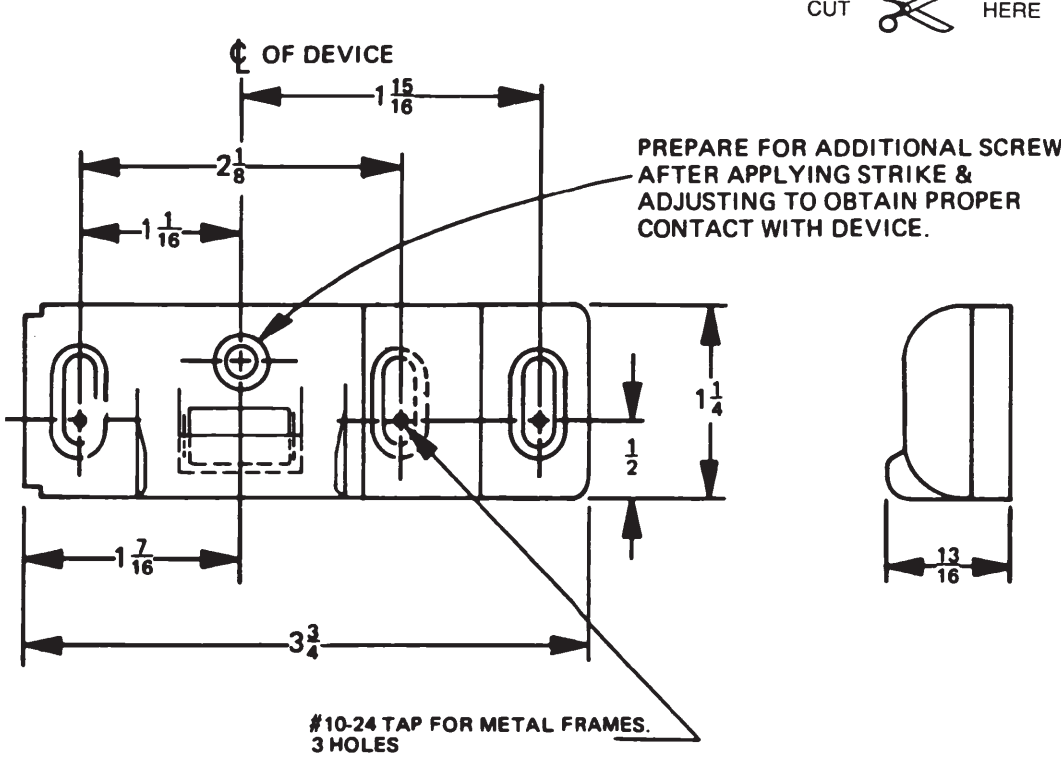


911172-00

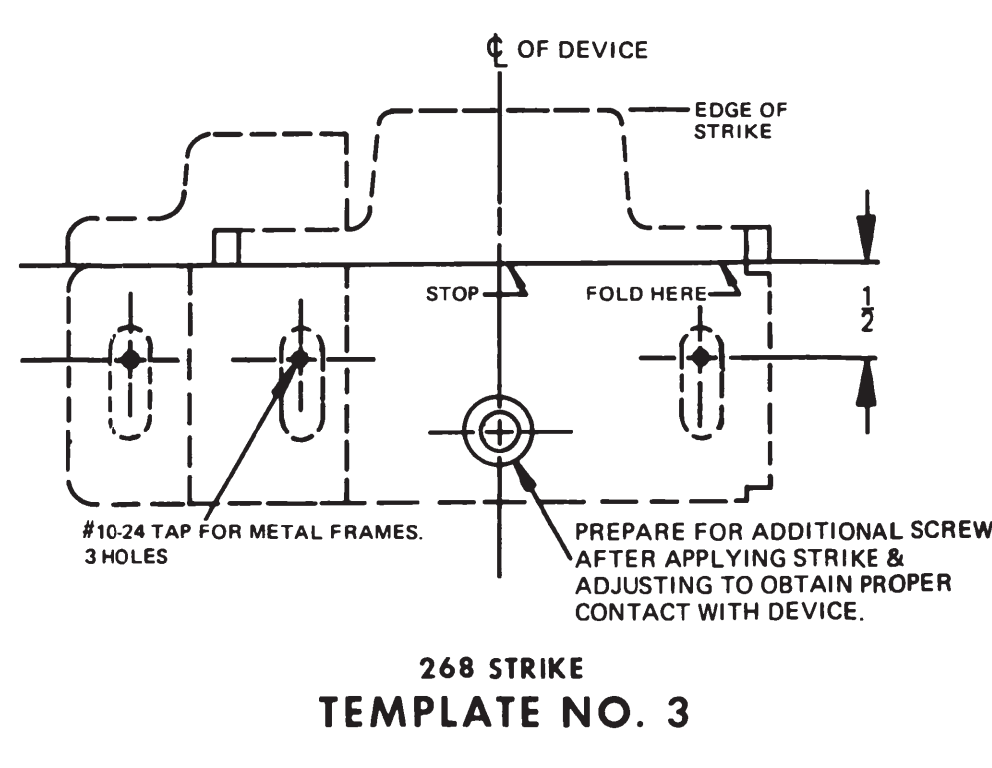


**Customer Service**  
1-877-671-7011 www.allegion.com/us

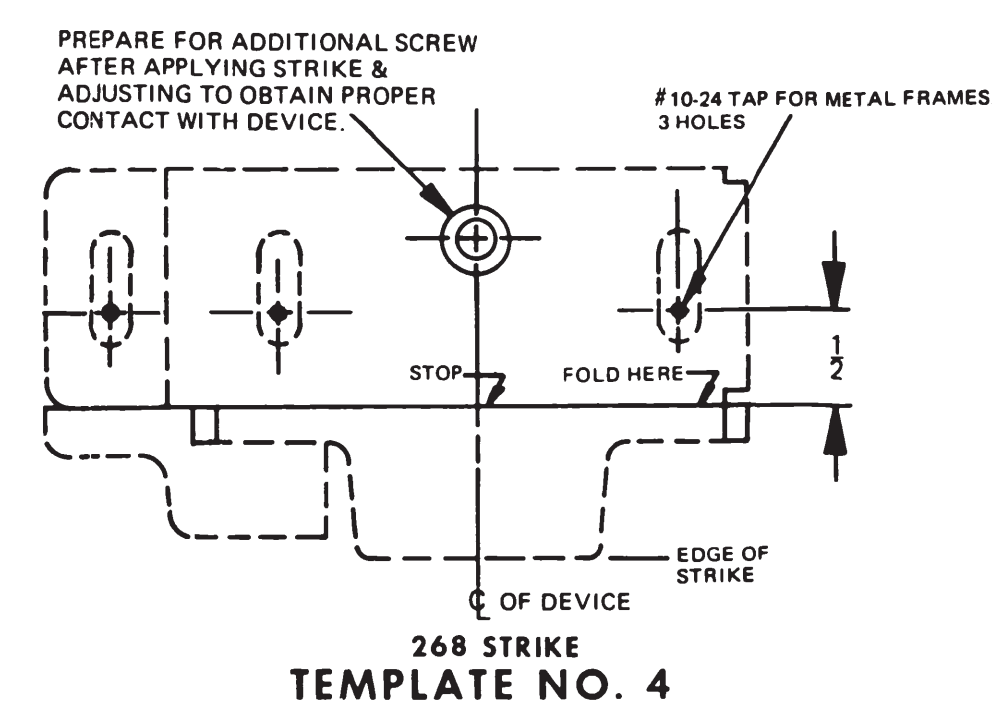
<b>VON DUPRIN</b>	
DIRECTION NUMBER	DATE
911172-00(b)	Rev. 01/14



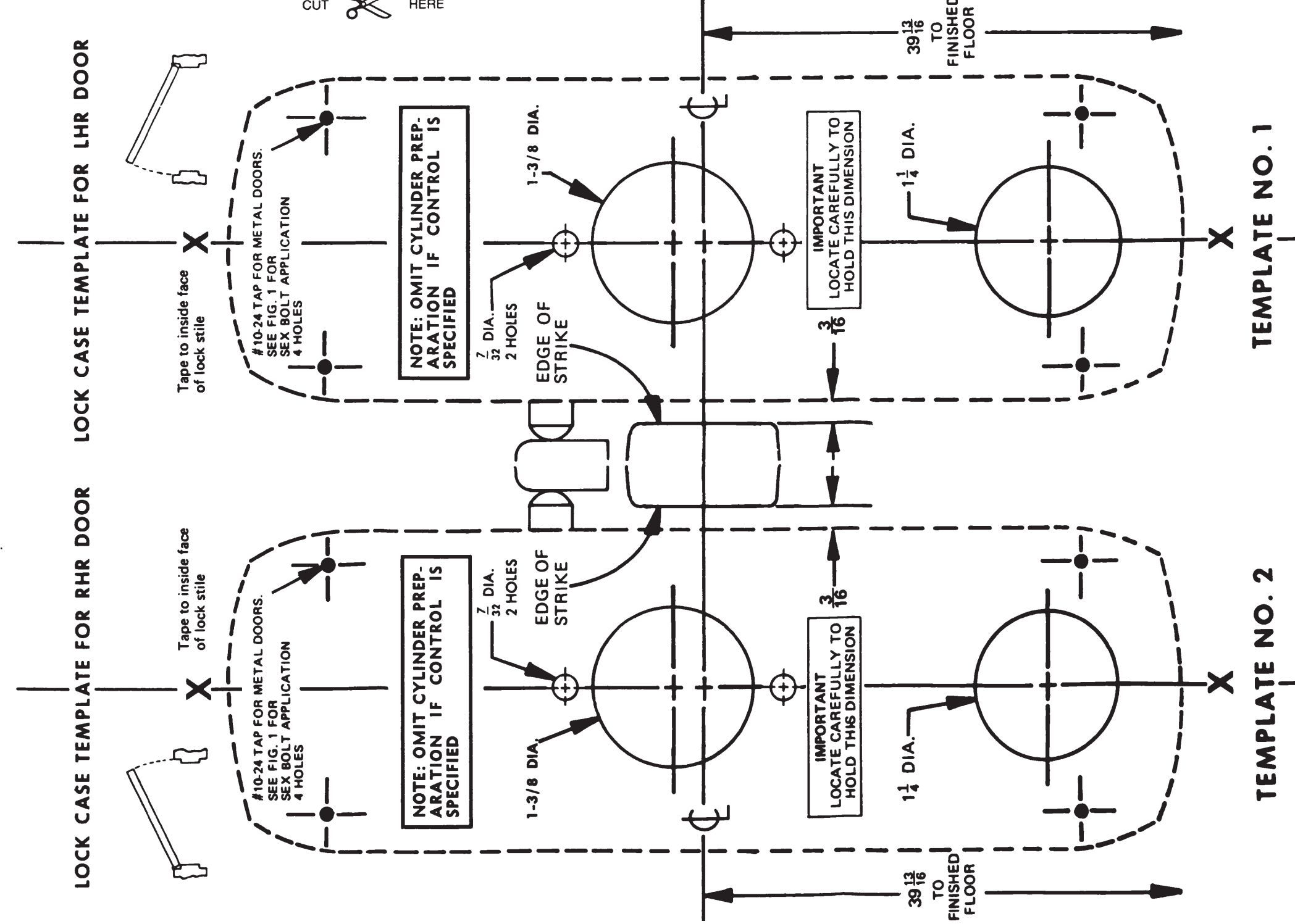
**268 STRIKE**



**268 STRIKE TEMPLATE NO. 3**

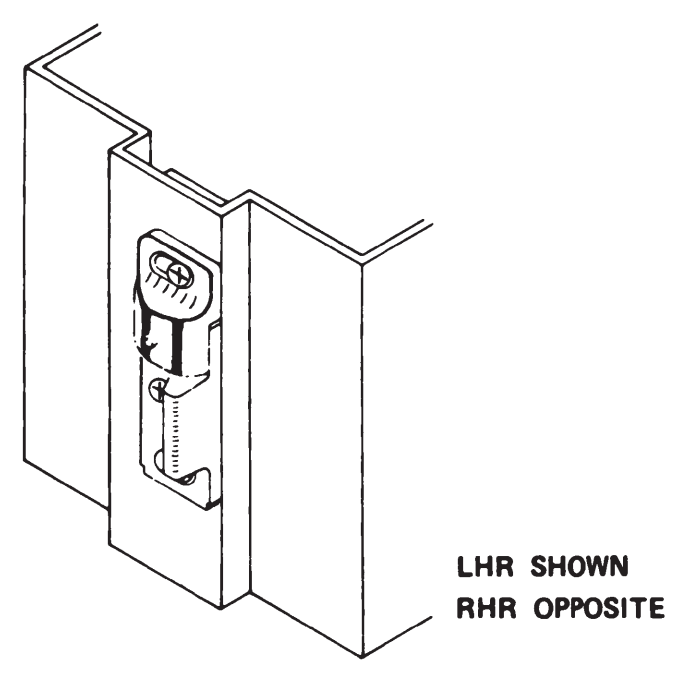


**268 STRIKE TEMPLATE NO. 4**



**TEMPLATE NO. 1**

**TEMPLATE NO. 2**



**LHR SHOWN RHR OPPOSITE**



921254-00

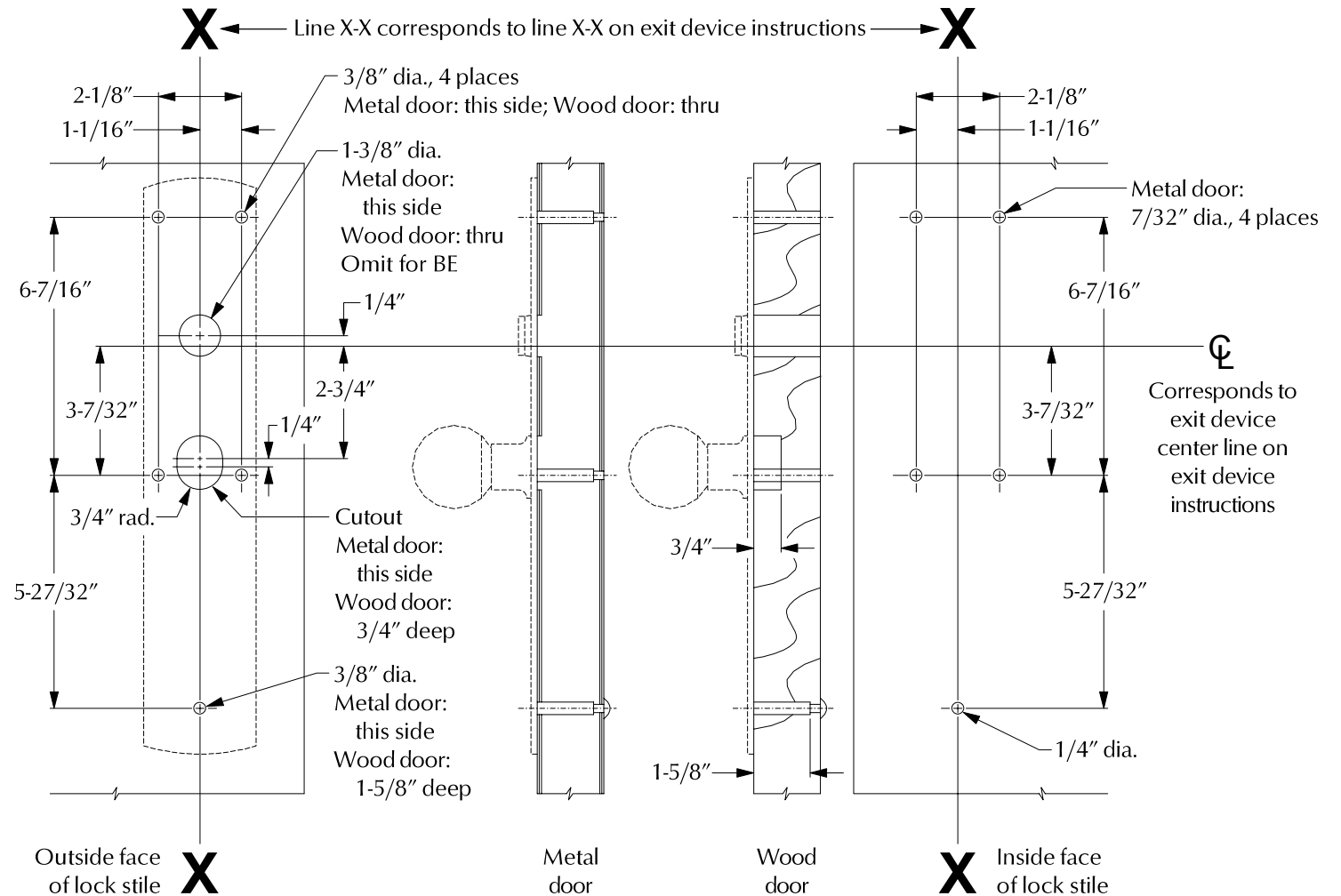
Trim for 44 and 88 rim devices, for 880K-DT/K-Rigid, see other side

# 880K/K-BE

# VON DUPRIN®

Installation instructions

1. Prepare door for exit device. See exit device instructions for holes, line X-X, and center lines.
2. Prepare door for trim:
  - A. Transfer line X-X from inside (exit device side) of door to outside (trim side) of door. Use extra care if edge of door is beveled.
  - B. Locate and prepare all holes as shown.
3. For K trim, install rim cylinder and cut cylinder tailpiece to extend 5/8" to 3/4" out of exit device side of door.
4. Cut knob spindle to extend 1/4" to 1/2" out of exit device side of door.
5. Apply trim.
6. Apply exit device.



LHR shown, RHR opposite

For cutouts on inside face of door, see exit device instructions

**Customer Service**  
 1-877-671-7011 [www.allegion.com/us](http://www.allegion.com/us)



© Allegion 2014  
Printed in U.S.A.  
921254-00 Rev. 01/14-b

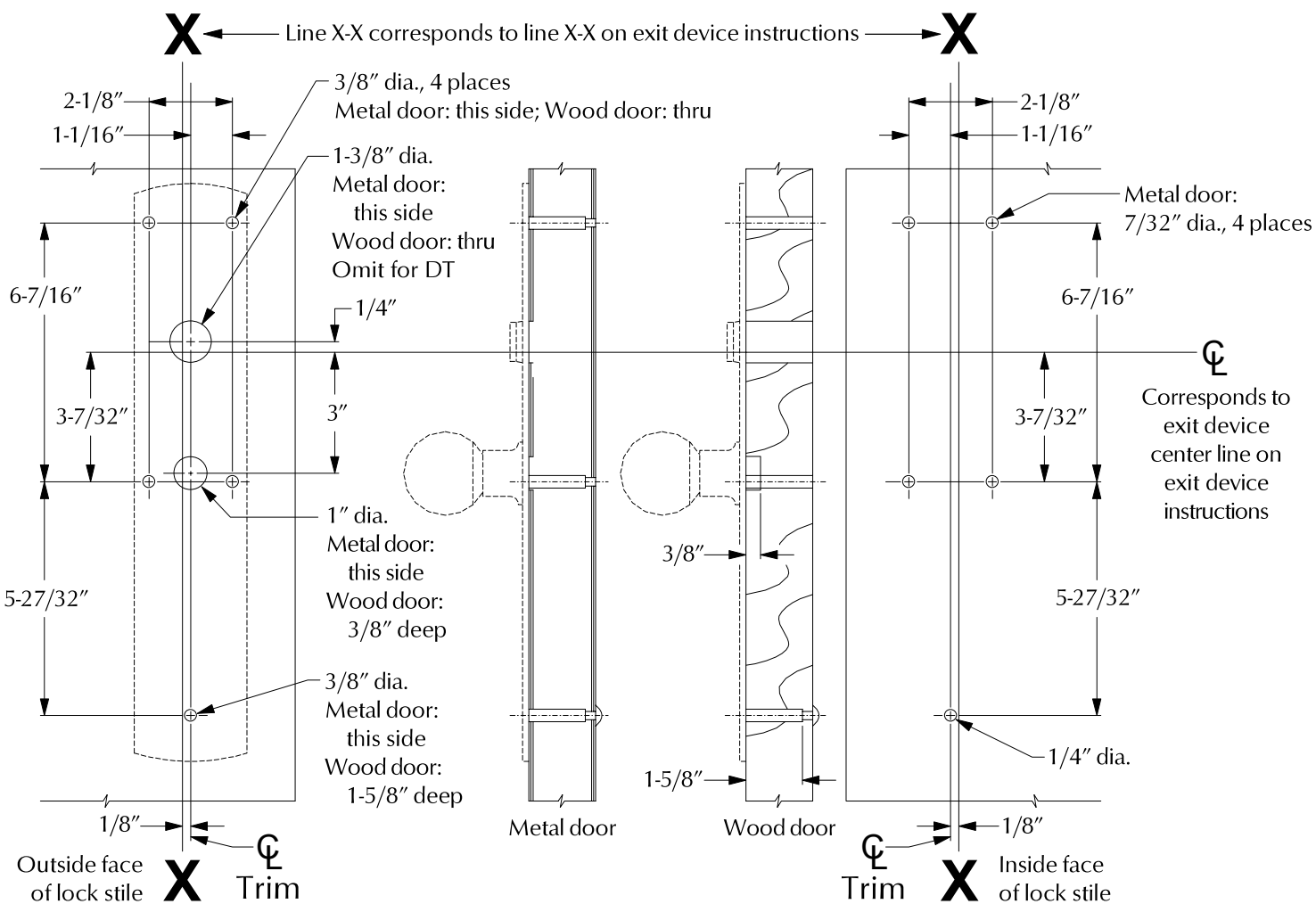
# 880K-DT/K-Rigid

Trim, for 880K-K/K-BE, See Other Side

1. Prepare door for exit device. See exit device instructions for holes, line X-X, and center lines.
2. Prepare door for trim:
  - A. Transfer line X-X from inside (exit device side) of door to outside (trim side) of door. Use extra care if edge of door is beveled.
  - B. Locate and prepare all holes as shown

**IMPORTANT**  
 Note that trim center line is offset from line X-X by 1/8" as shown.

3. For K-RIGID trim, install rim cylinder and cut cylinder tailpiece to extend 5/8" to 3/4" out of exit device side of door.
4. Apply trim.
5. Apply exit device.



**LHR shown, RHR opposite**  
**For cutouts on inside face of door, see exit device instructions**