

# INSTALLATION DIRECTIONS

## BEFORE APPLYING THIS DEVICE

- A. Threshold (if any) must be installed.
- B. Doors must be fitted and hung.
- C. Check that handing of hardware corresponds with handing of door.

### 1. APPLY STRIKE

- A. Tape appropriate strike template No. 3 or No. 4 depending on handing of door to stop.
- B. When Von Duprin Mullion is used apply strike at tapped holes in Mullion. (See illustration 1.)

### 2. PREPARE DOOR

- A. Tape full size template No. 1 or 2, depending on handing of door, to inside face of lock stile. Be sure center line of device is 39-13/16" from finished floor.

**NOTE** BE SURE CENTERLINE OF LOCK STILE CASE IS PARALLEL TO STOP AND THAT EDGE OF CASE IS 3/16" FROM EDGE OF STRIKE. STRIKE MUST BE SHIMMED OUT IF LOCK CASE IS MOUNTED MORE THAN 3/16" FROM STRIKE.

- B. Prepare door as shown. See Fig. 1 for wood door application, and Fig. 2 for metal door application.

### 3. APPLY OUTSIDE TRIM IF REQUIRED

- A. See directions in trim carton. Line "X-X" on trim template corresponds to line "X-X" on device template and is parallel to edge of door. Transfer line "X-X" from inside face to outside face of door.
- B. Prepare outside face of lock stile.
- C. Cut off cylinder tailpiece, if necessary, to extend 5/8" to 3/4" thru door and into device case.
- D. Apply outside trim.

### 4. INSTALL LEVER ARMS

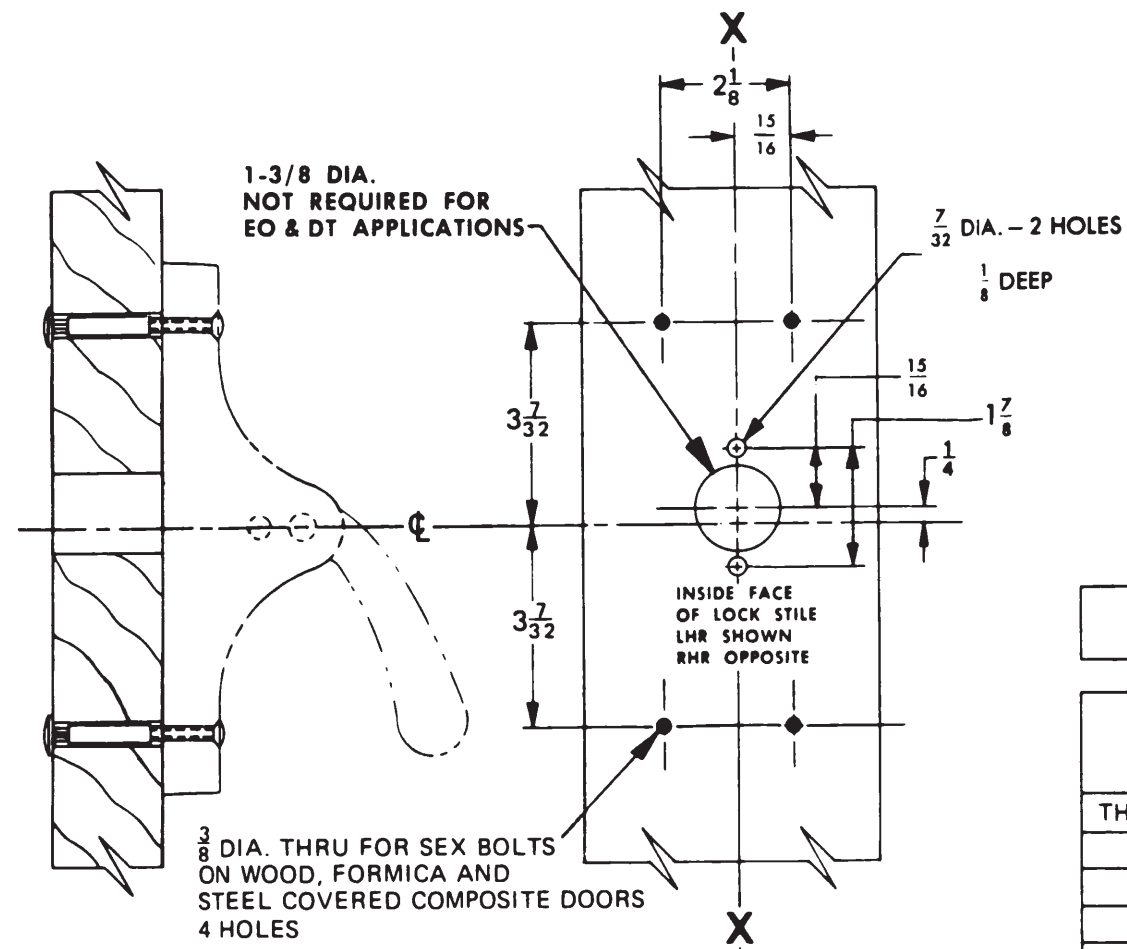
- A. Insert lever arms into lock stile and hinge stile cases.
- B. Assemble axles and tighten securely. (See instructions in axle envelope.)

### 5. APPLY LOCK STILE CASE

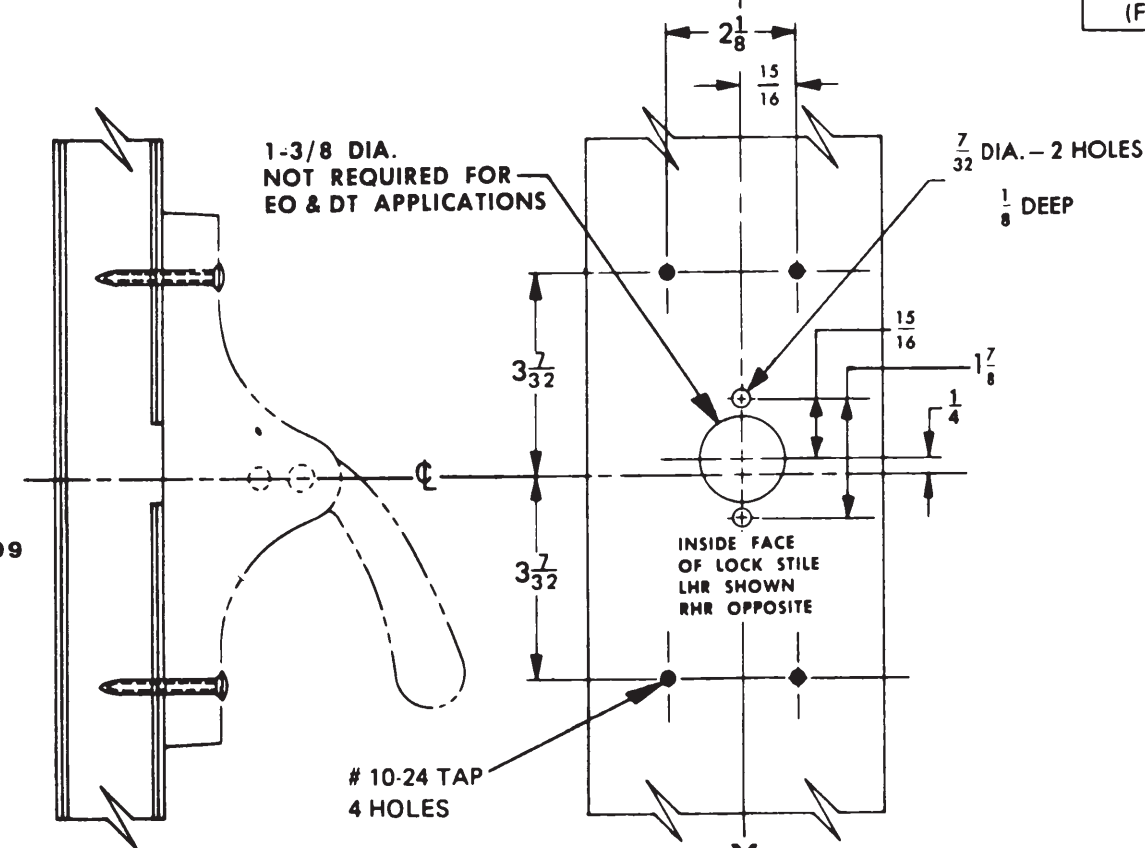
- A. Remove key from cylinder.
- B. Attach lock stile case to door. (See Fig. 1 or Fig. 2)
- C. Test key action.

### 6. APPLY HINGE STILE CASE AND CROSSBAR TUBE (FIG. 4)

- A. Slip crossbar tube on lock stile and hinge stile lever arms. (See Direction No. 941009 for cutting crossbar, if necessary.)
- B. Be sure crossbar is level and hinge stile case is parallel to edge of door and approximately on centerline of exposed stile.
- C. Using holes in hinge stile case, mark location and prepare door for attaching screws.
- D. Apply hinge stile case with crossbar in place.
- E. Tighten wedge-tite set screws securely with dog key and screwdriver or equivalent for leverage, and test crossbar for free action. (See Direction No. 941009 for these instructions.)



WOOD DOOR APPLICATION  
FIG. 1



METAL DOOR APPLICATION  
FIG. 2

SINGLE DOOR OPENING 39-13/16 TO FINISHED FLOOR	
DOUBLE DOOR OPENING WITH VON DUPRIN MULLION AND THRESHOLD	
THRESHOLD NO.	TO FIN. FLOOR
350 or 360	} 39 13/16
355 or 365	
390	
ALL OTHER THRESHOLDS	
NO THRESHOLD (FLAT SILL)	

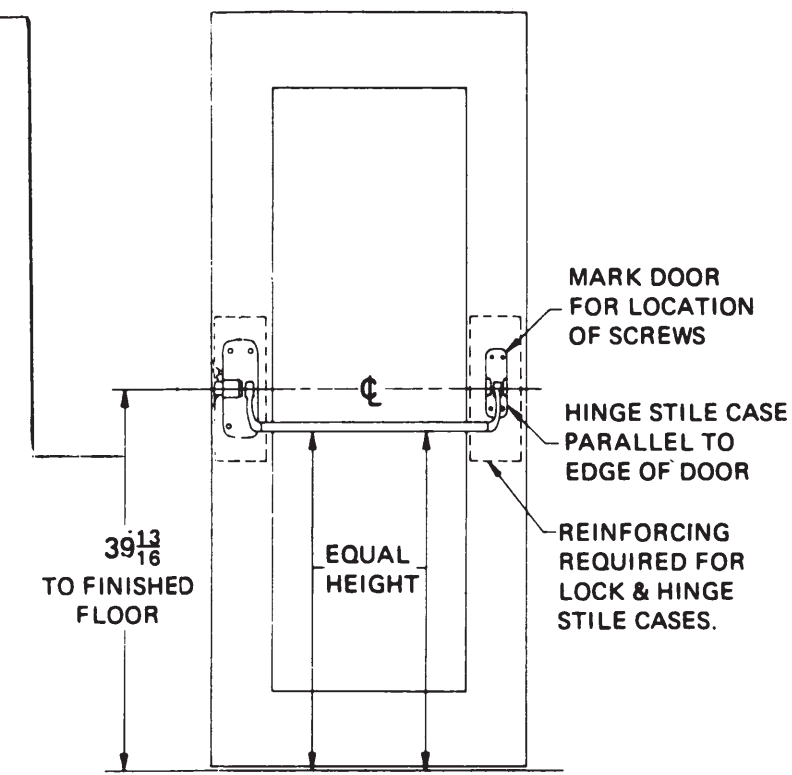
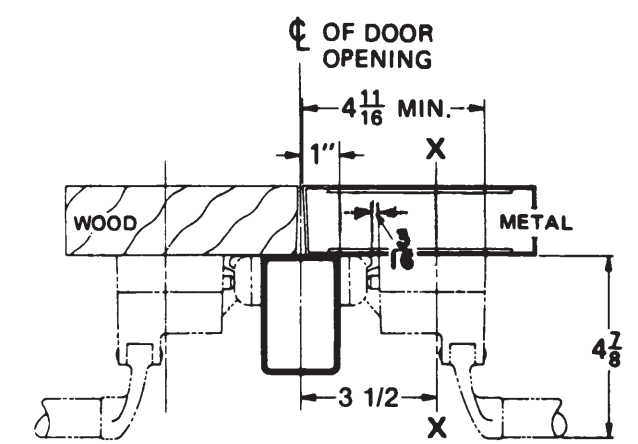
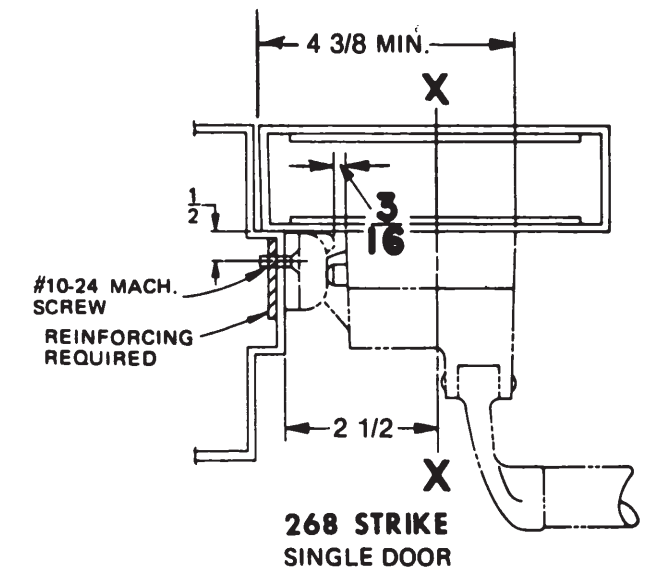


FIG. 4



ILLUST. 1  
9954 MULLION WITH 268 STRIKE



Customer Service  
1-877-671-7011 www.allegion.com/us



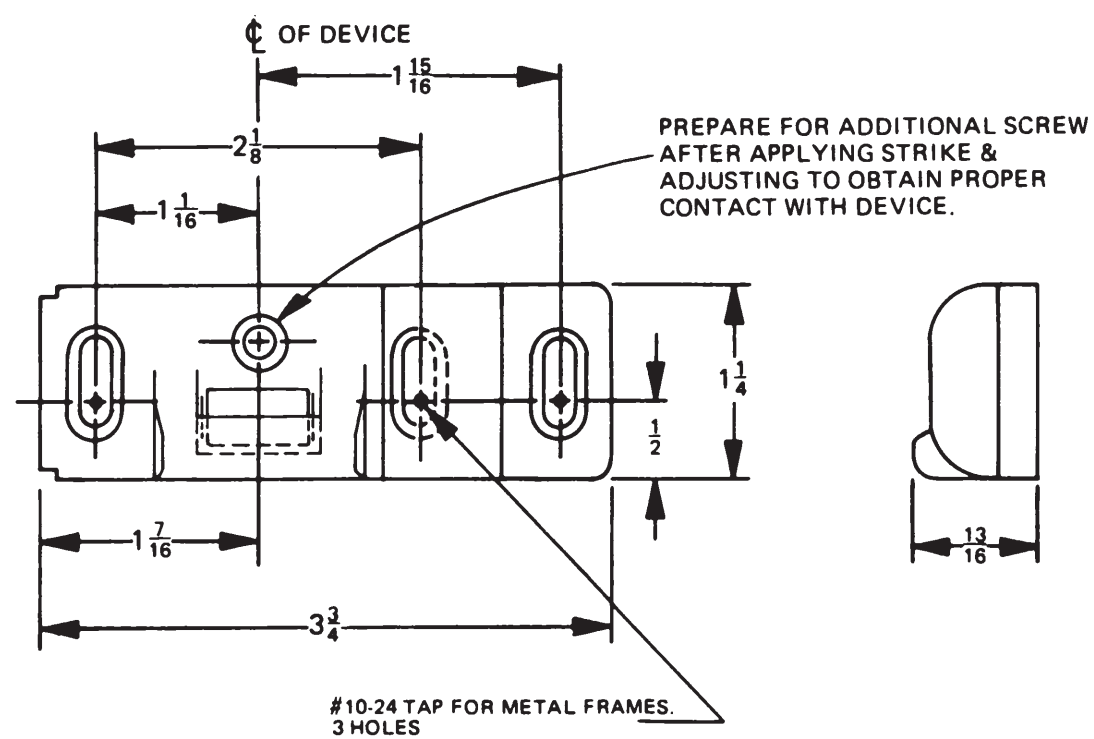
911170-00

DESCRIPTION  
88EO-F, 88DT-F & 88NL-F SERIES RIM DEVICES

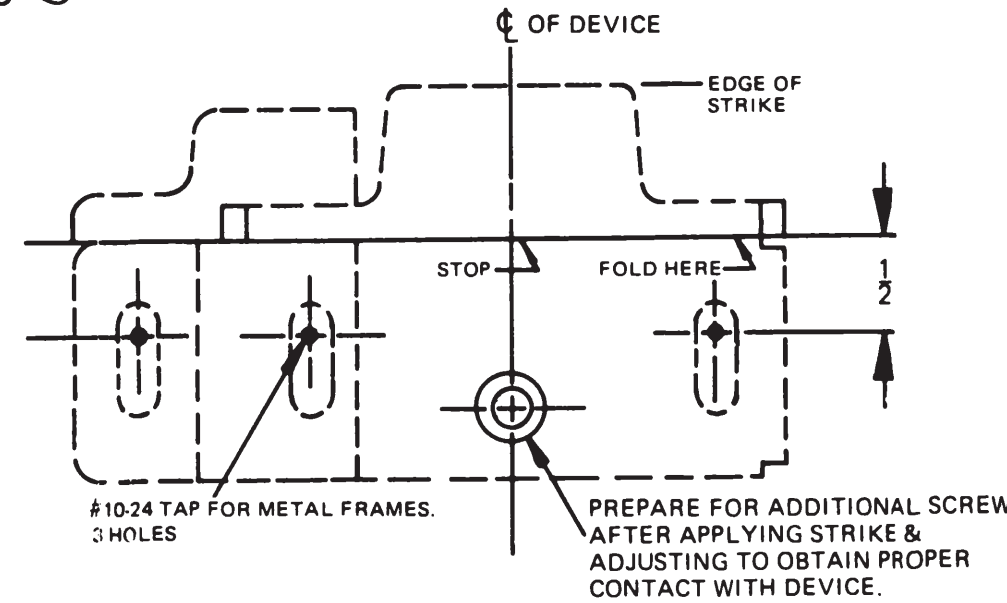
VON DUPRIN

DIRECTION NUMBER 911170-00 (b) DATE 06/14

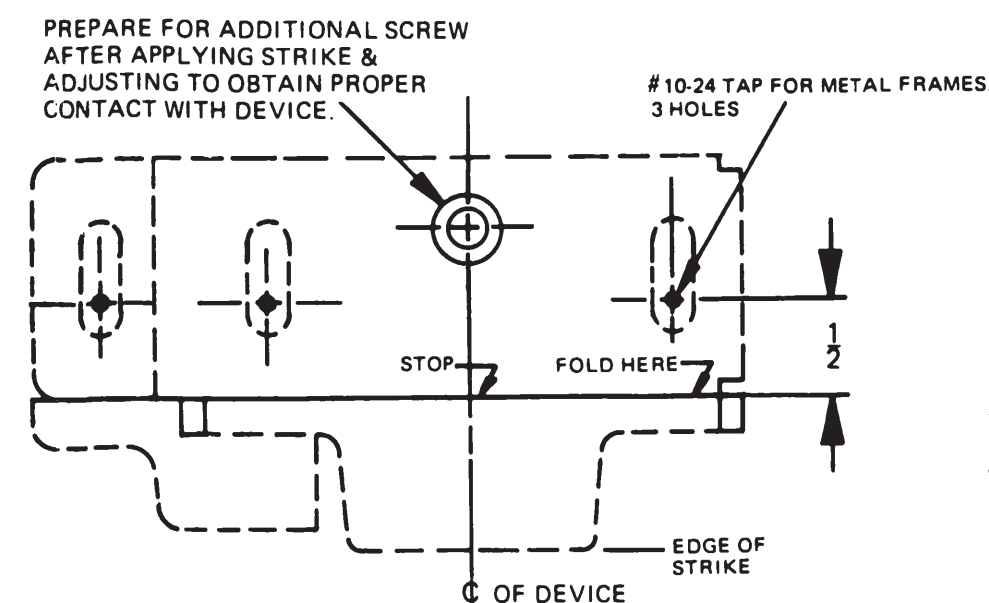
FOR TRIM APPLICATION SEE DIRECTIONS  
IN TRIM CARTON IF REQUIRED.



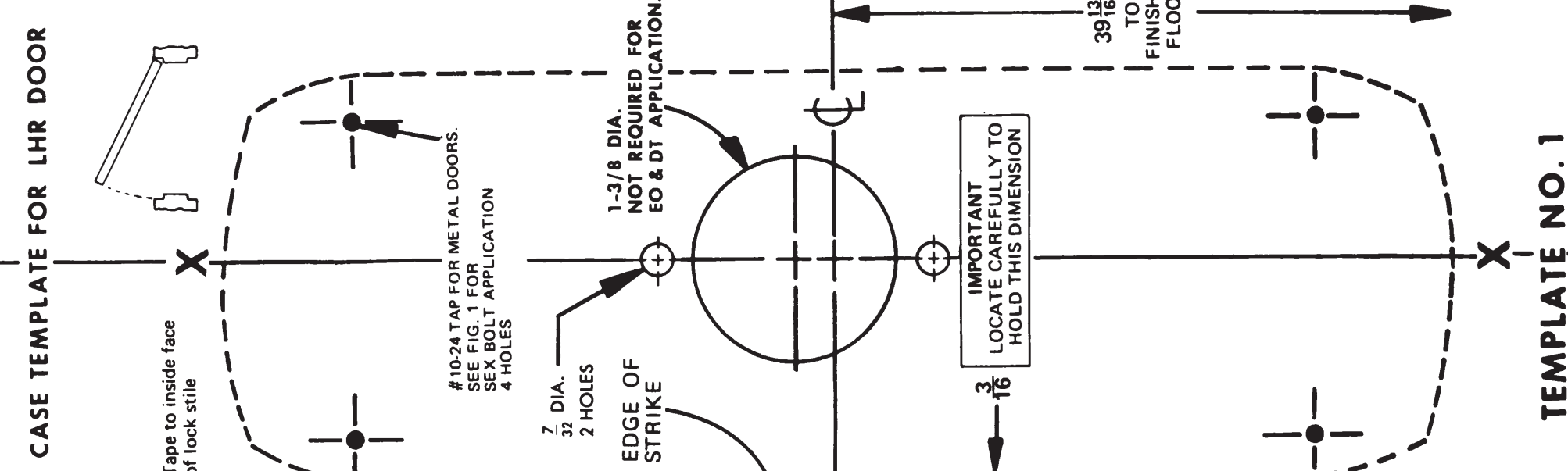
268 STRIKE



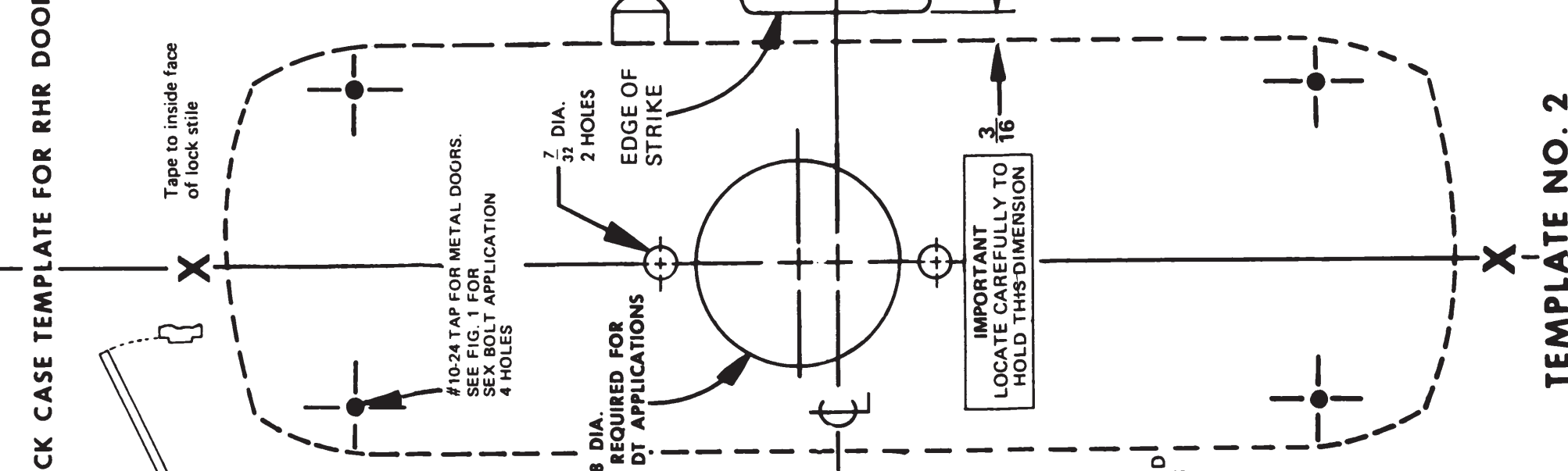
268 STRIKE  
TEMPLATE NO. 3



268 STRIKE  
TEMPLATE NO. 4



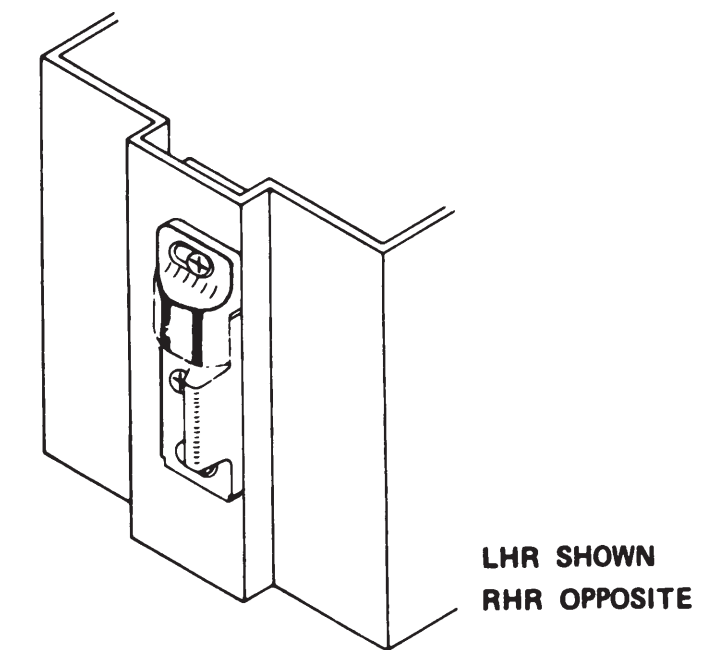
LOCK CASE TEMPLATE FOR LHR DOOR



LOCK CASE TEMPLATE FOR RHR DOOR

TEMPLATE NO. 1

TEMPLATE NO. 2



LHR SHOWN  
RHR OPPOSITE



921250-00

Trim for 44 and 88 Rim Devices

# 880DT/EO/NL/TP/TP-BE

# VON DUPRIN®

Installation Instructions

## 880TP/TP-BE

(see other side for 880DT/EO/NL)

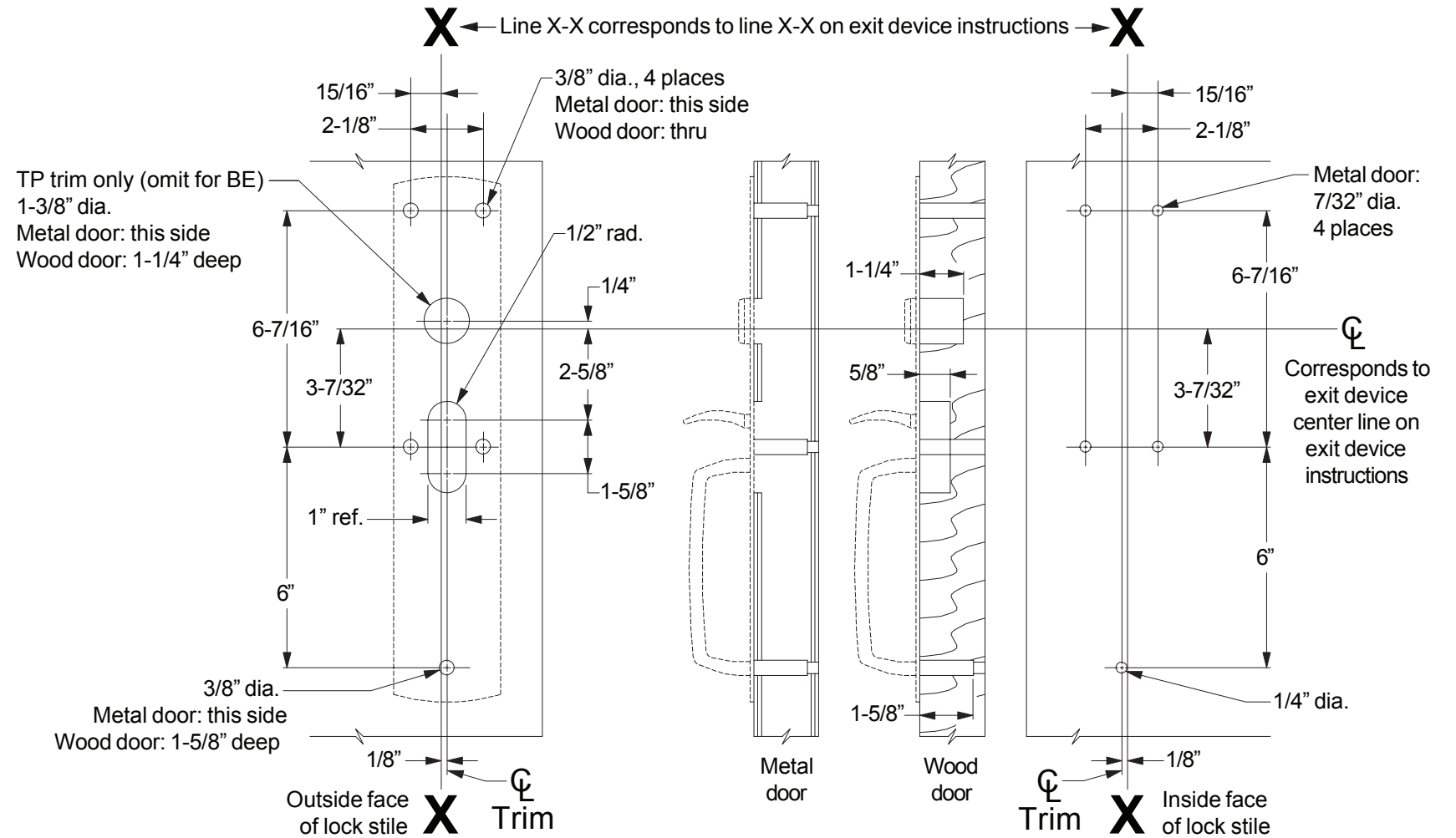
1. Prepare door for exit device. See exit device instructions for holes, line X-X, and center lines.
2. Prepare door for trim:
  - A. Transfer line X-X from inside (exit device side) of door to outside (trim side) of door. Use extra care if edge of door is beveled.
  - B. Locate and prepare all holes as shown.

**! IMPORTANT**

Note that trim center line is offset from line X-X by 1/8" as shown.

3. For TP trim, install cylinder in trim. Cut cylinder tailpiece to extend out of exit device side of door as follows:
  - 44 Rim device: 3/16" to 1/4" extension
  - 88 Rim device: 5/8" to 3/4" extension
4. Cut thumbpiece to extend 5/8" to 3/4" out of exit device side of door.
5. Apply trim.
6. Apply exit device.

## 880TP/TP-BE (see other side for 880DT/EO/NL)



LHR shown, RHR opposite

For cutouts on inside face of door, see exit device instructions

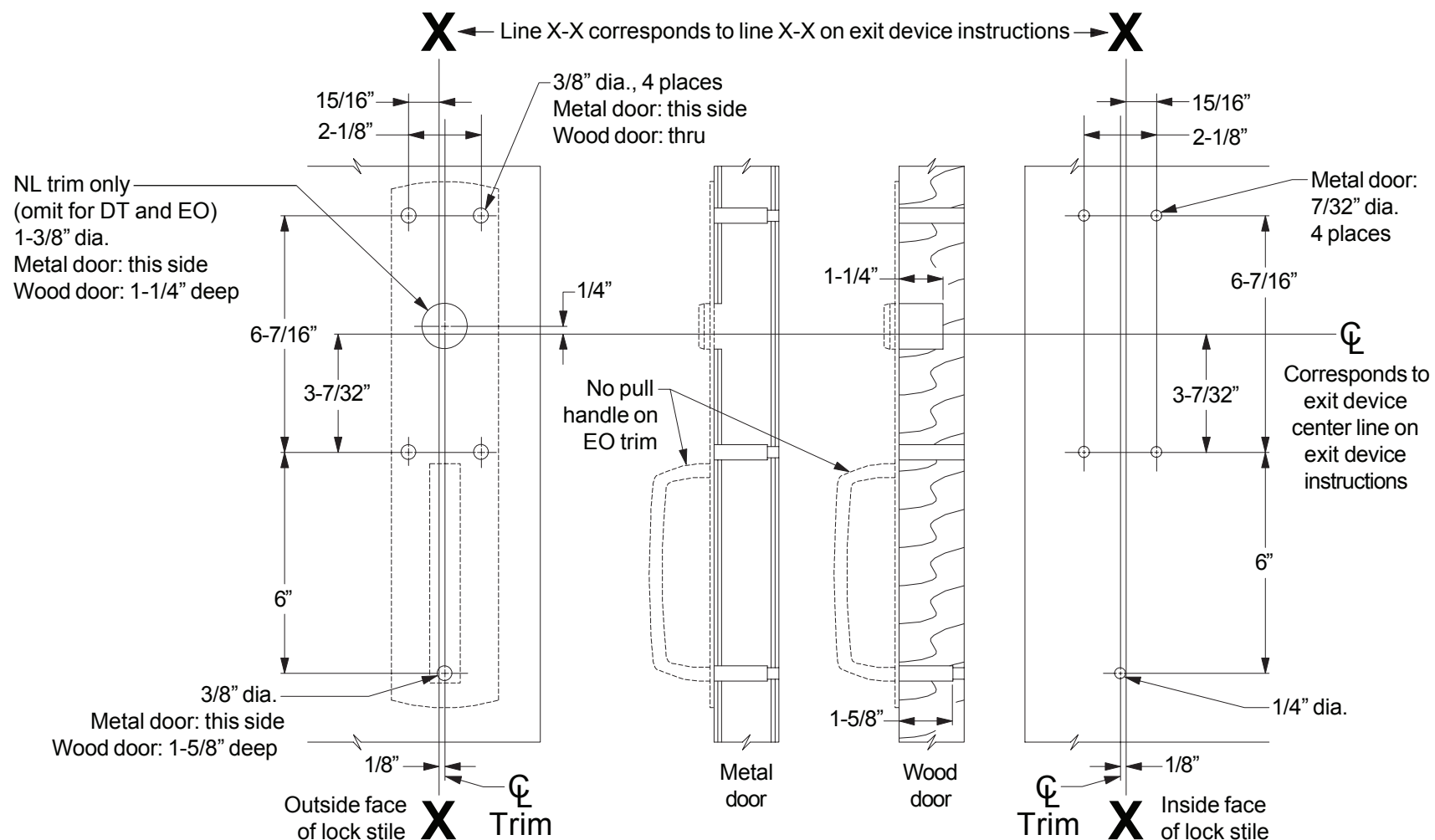
**880DT/EO/NL**  
**(see other side for 880TP/TP-BE)**

1. Prepare door for exit device. See exit device instructions for holes, line X-X, and center lines.
2. Prepare door for trim:
  - A. Transfer line X-X from inside (exit device side) of door to outside (trim side) of door. Use extra care if edge of door is beveled.
  - B. Locate and prepare all holes as shown.

**IMPORTANT**  
 Note that trim center line is offset from line X-X by 1/8" as shown.

3. For NL trim, install cylinder in trim. Cut cylinder tailpiece to extend 5/8" to 3/4" out of exit device side of door.
4. Apply trim.
5. Apply exit device.

**880DT/EO/NL (see other side for 880TP/TP-BE)**



LHR shown, RHR opposite

For cutouts on inside face of door, see exit device instructions