



911179-00

8875 & 8875-F

VON DUPRIN®

Mortise Lock Devices

Installation Instructions

1. Install threshold(s), if used, and fit and hang door(s).
2. Check that device handing matches door handing.
3. Tape full size RHR or LHR lock stile case and hinge stile case templates to inside face of door (Figure 1). Be sure center line of device is 39-13/16" from finished floor. Prepare inside face of door for device per templates.
4. Prepare lock stile of door for mortise lock (see mortise lock instructions 941019).
5. Prepare outside face of lock stile for trim (see trim instructions). Line X-X on trim instructions corresponds to line X-X on device template.
6. Prepare trim for installation (see trim instructions).
7. Install mortise lock (Figure 2).
8. For 1-3/4" thick doors, cut 3/8" off device lift finger.
9. Attach device cases to door (Figure 3).
10. Push down lock stile lever and check for full retraction of latch bolt. Release and check for full extension (3/4"). Adjust lift finger if necessary (Figure 4).
11. Measure dimension "X" (Figure 3) and cut crossbar tube to dimension "X." Cut end without hole.
12. Install crossbar tube and wedge assembly (see instructions 941009) and test crossbar for free action.
13. Prepare frame for strike (Figure 5).
14. Install strike to frame with two #12-12 x 12-24 x 1" combination screws.

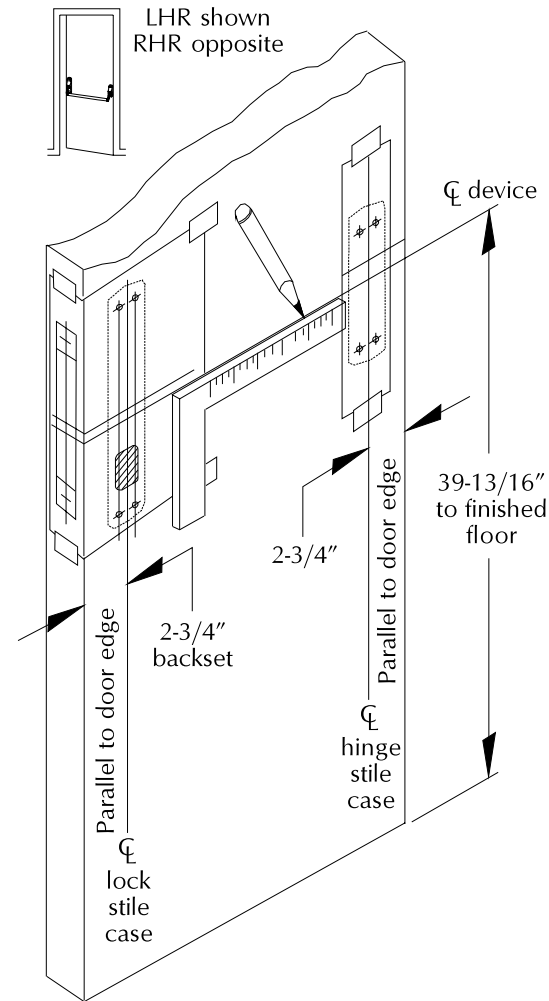


Figure 1. Prepare Door

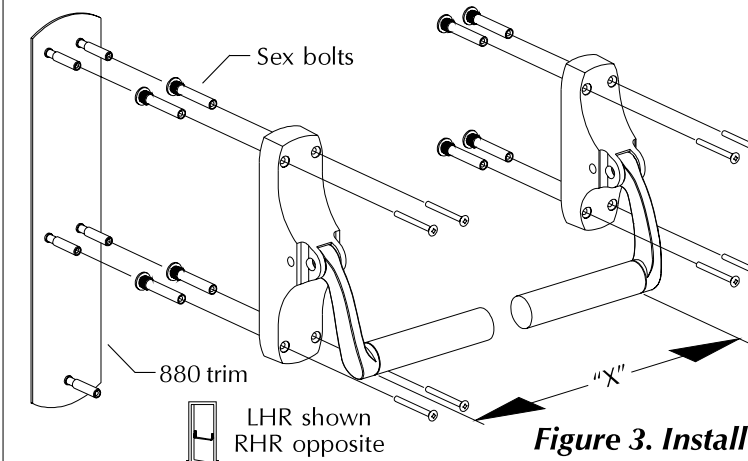


Figure 3. Install Device

Mounting	Fasteners
Surface	#10-12 x 10-24 x 2" combination screws (supplied with device)
880 trim	#10-24 machine screws
Sex bolts	#10-24 machine screws

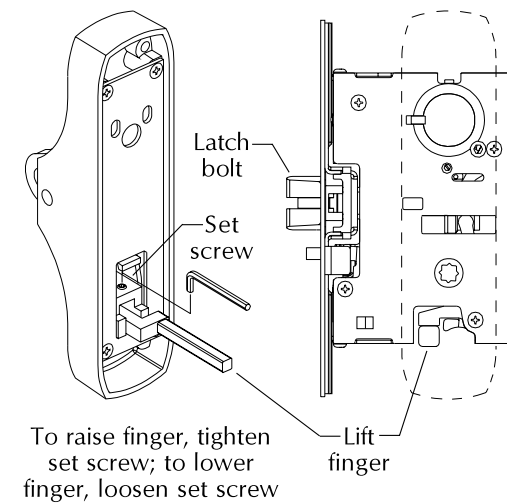


Figure 4. Adjust Lift Finger

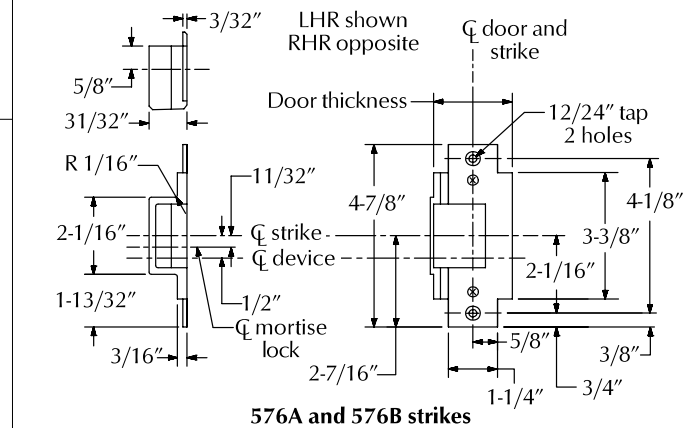
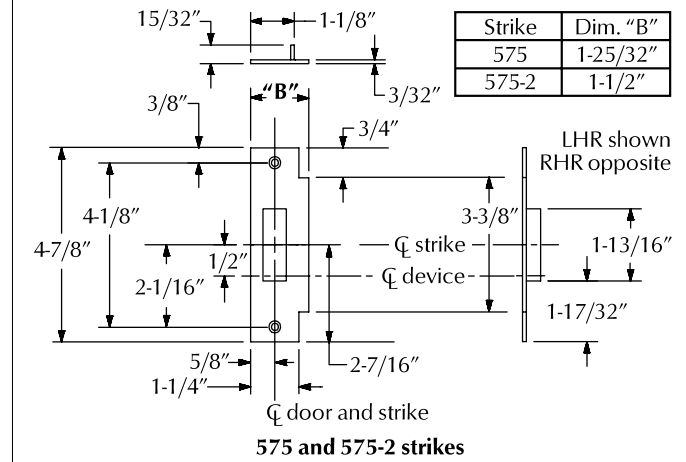
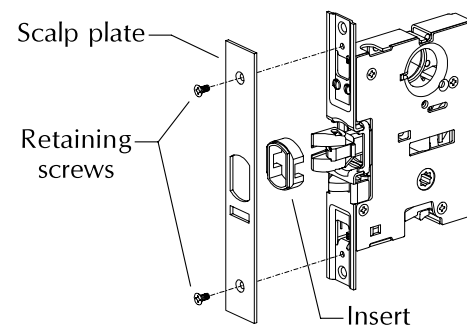


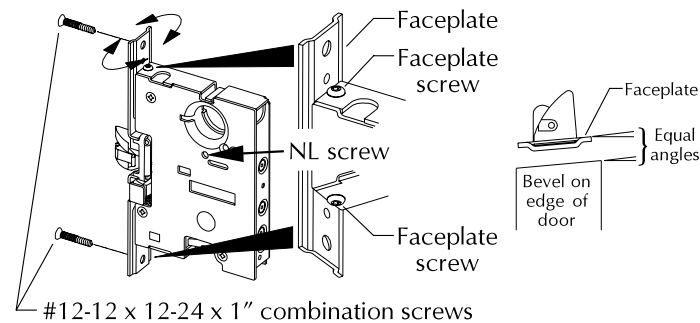
Figure 5. Prepare Frame for Strike

Figure 2. Install Mortise Lock

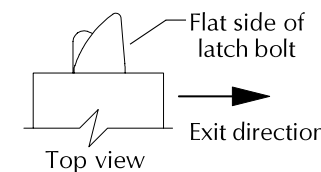
1. Remove retaining screws, scalp plate, and insert.



2. For TP and K trims turn NL screw clockwise all the way in.
3. Loosen top and bottom faceplate screws, pivot faceplate to match door bevel, tighten top and bottom faceplate screws.
4. Install mortise lock into door with two #12-12 x 12-24 combination screws.



5. Rotate latch bolt so flat side faces exit direction.
6. Replace insert, scalp plate, and scalp plate retaining screws.

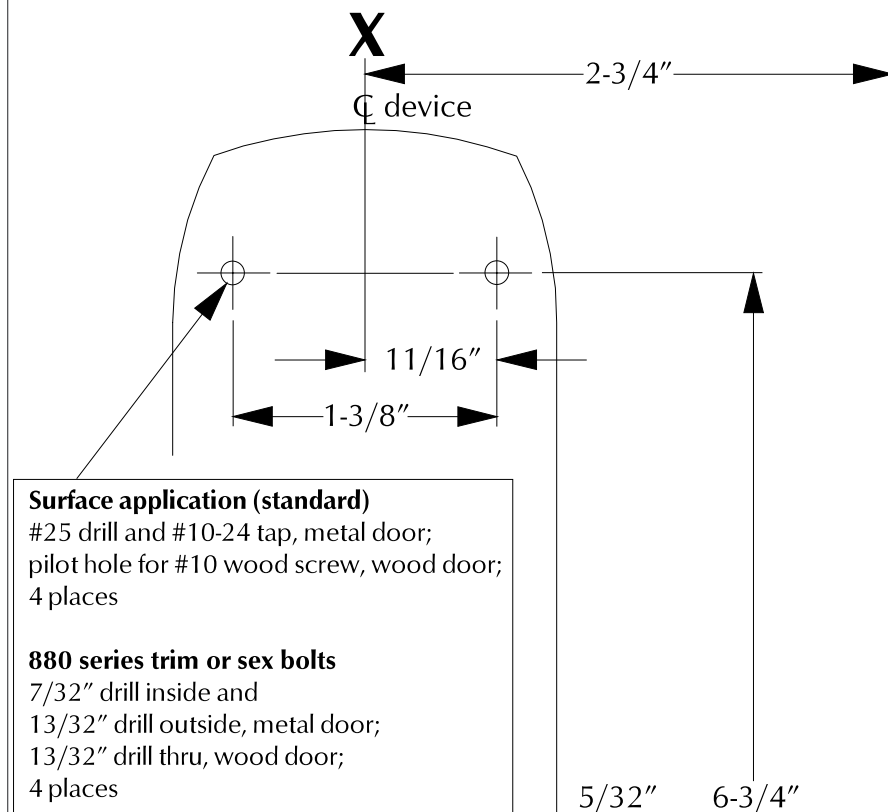


Customer Service
1-877-671-7011 www.allegion.com/us



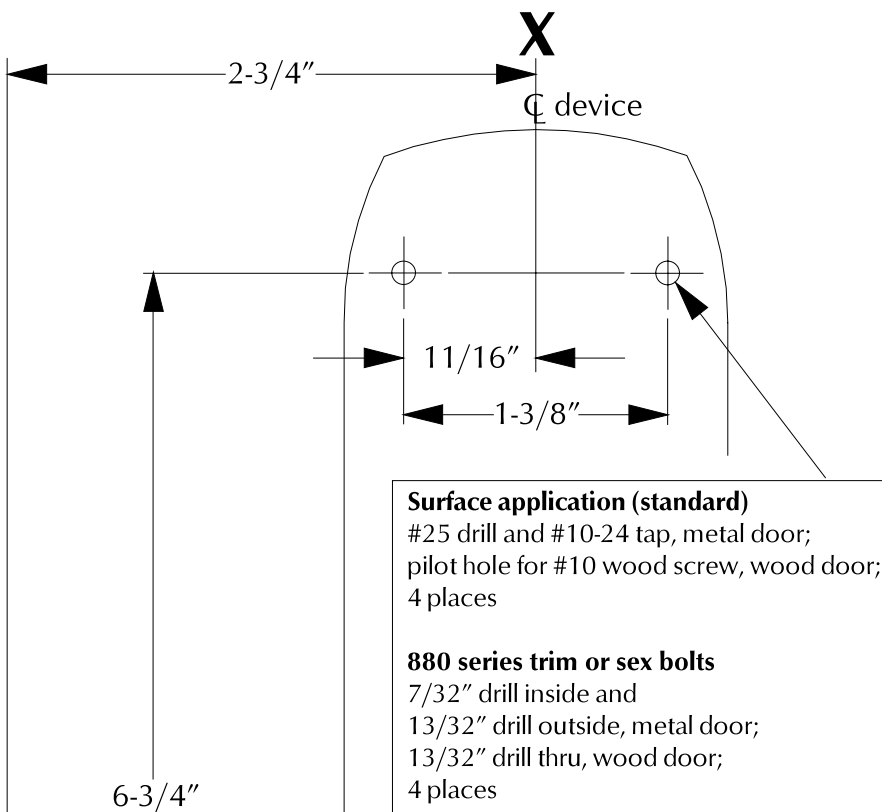
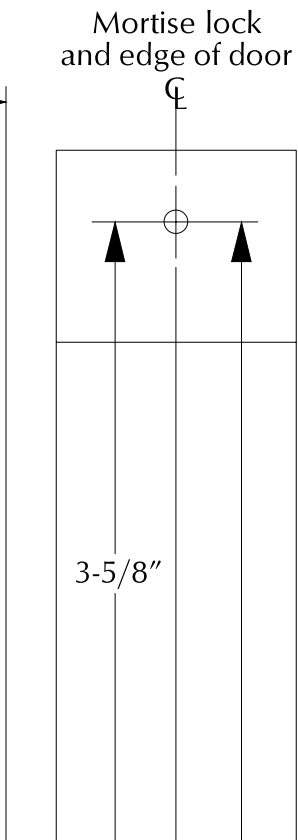
© Allegion 2014
Printed in U.S.A.
911179-00 Rev. 01/14-b

8875/8875-F Template



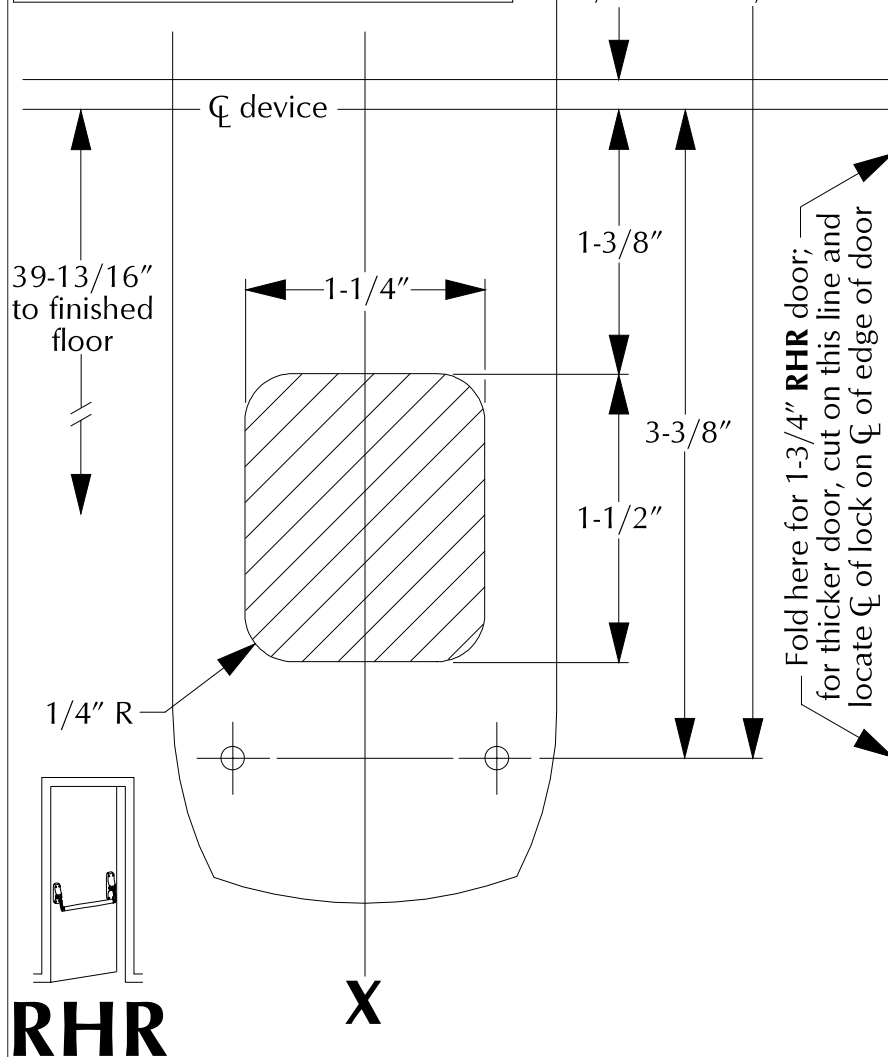
Surface application (standard)
 #25 drill and #10-24 tap, metal door;
 pilot hole for #10 wood screw, wood door;
 4 places

880 series trim or sex bolts
 7/32" drill inside and
 13/32" drill outside, metal door;
 13/32" drill thru, wood door;
 4 places



Surface application (standard)
 #25 drill and #10-24 tap, metal door;
 pilot hole for #10 wood screw, wood door;
 4 places

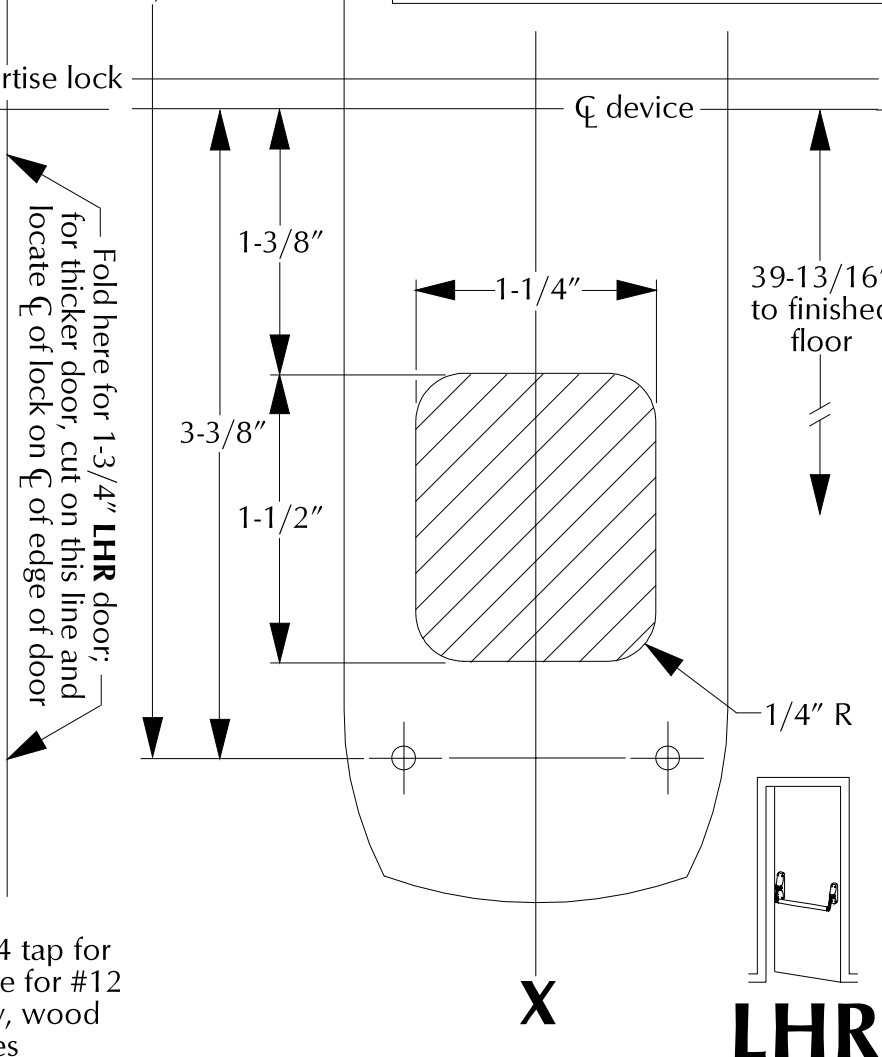
880 series trim or sex bolts
 7/32" drill inside and
 13/32" drill outside, metal door;
 13/32" drill thru, wood door;
 4 places



RHR

X

Fold here for 1-3/4" RHR door;
 for thicker door, cut on this line and
 locate C of lock on C of edge of door



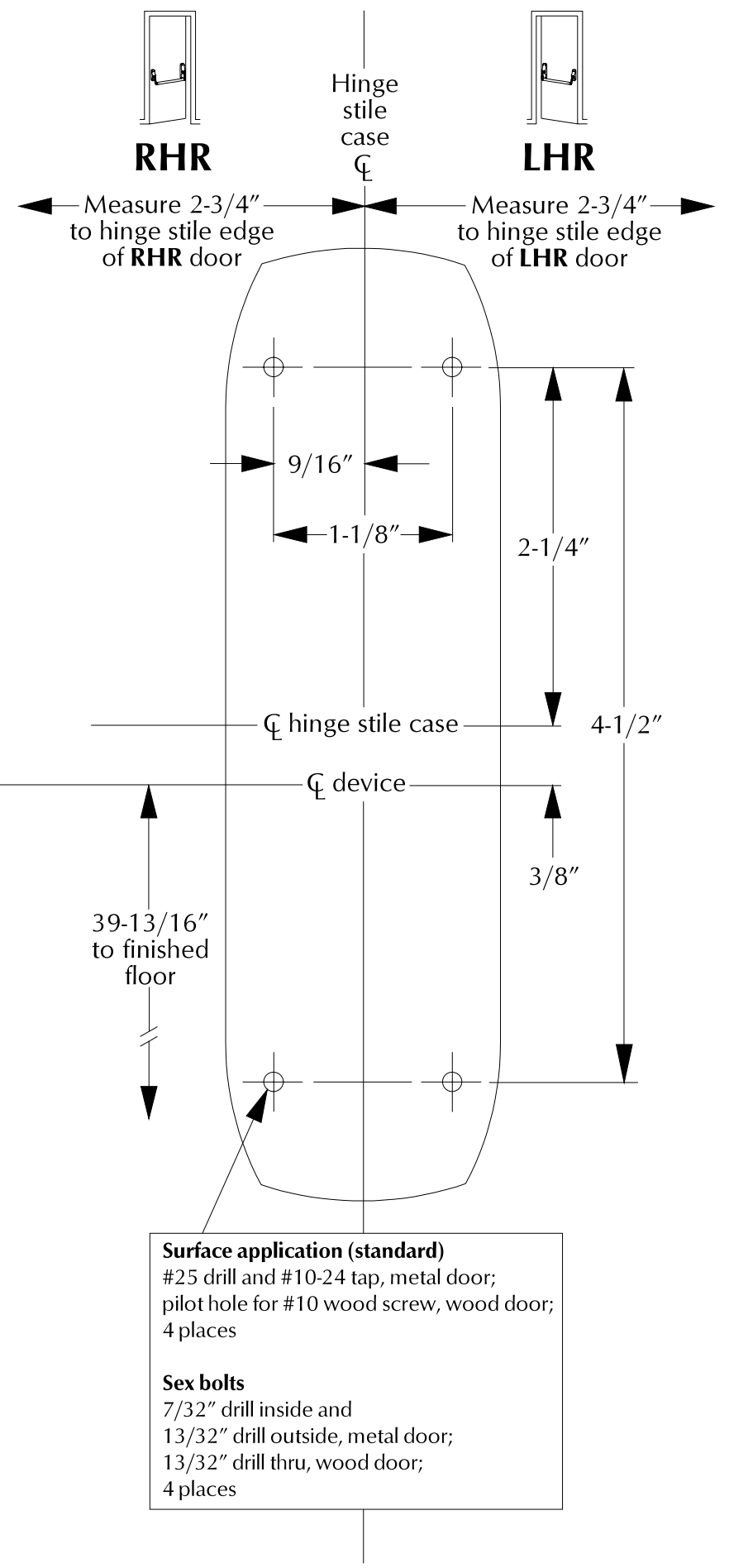
LHR

Fold here for 1-3/4" LHR door;
 for thicker door, cut on this line and
 locate C of lock on C of edge of door

#16 drill and #12-24 tap for
 metal door; pilot hole for #12
 combination screw, wood
 door; 2 places

CUT HERE

CUT HERE



RHR

Hinge
 stile
 case
 C

LHR

Measure 2-3/4"
 to hinge stile edge
 of RHR door

Measure 2-3/4"
 to hinge stile edge
 of LHR door

C hinge stile case

C device

39-13/16"
 to finished
 floor

3/8"

Surface application (standard)
 #25 drill and #10-24 tap, metal door;
 pilot hole for #10 wood screw, wood door;
 4 places

Sex bolts
 7/32" drill inside and
 13/32" drill outside, metal door;
 13/32" drill thru, wood door;
 4 places



921260-00

Trim

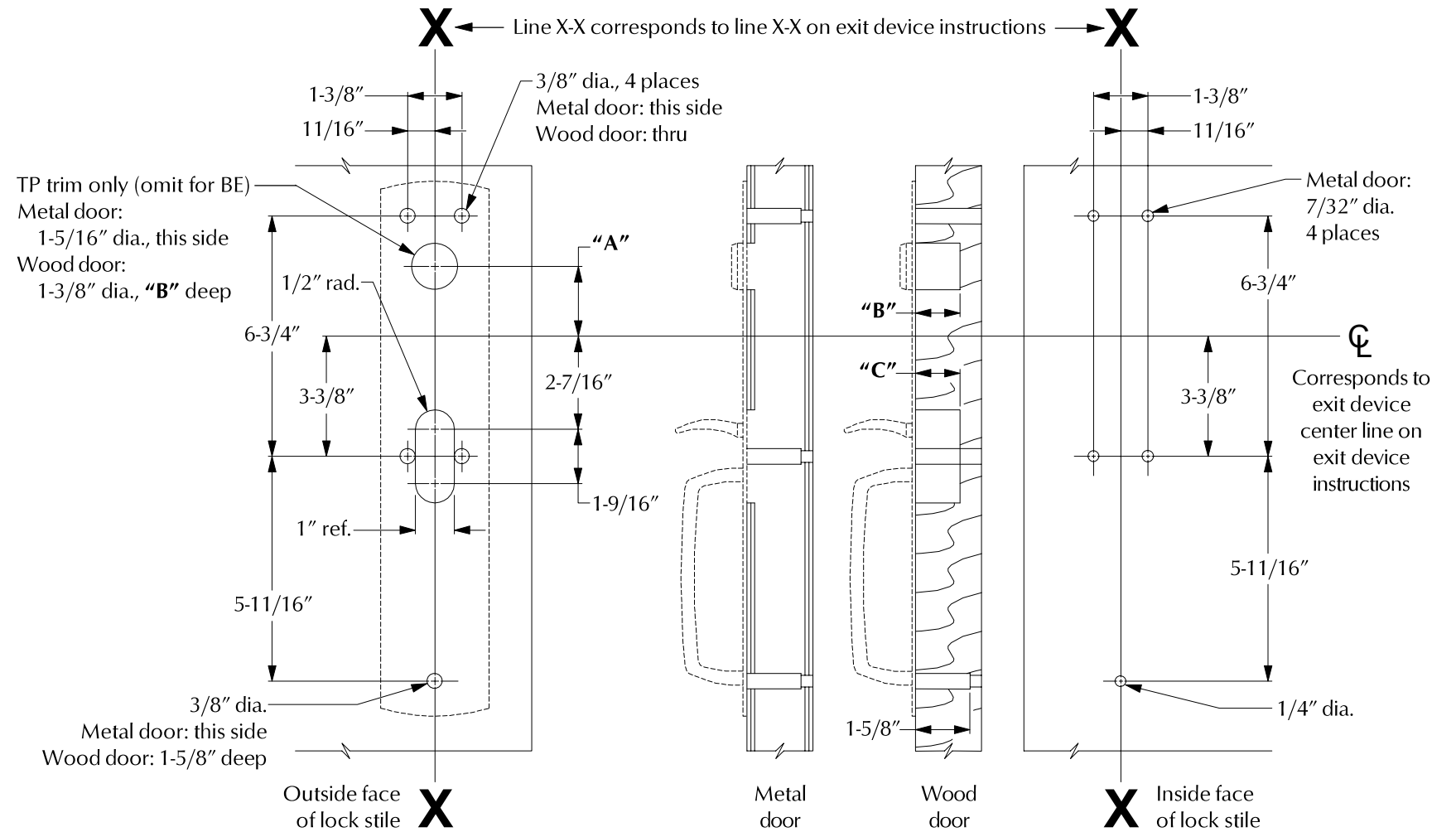
880TP/TP-BE

VON DUPRIN

Installation Instructions

1. Prepare door for exit device. See exit device instructions for holes, line X-X, and center lines.
2. Prepare door for trim:
 - A. Transfer line X-X from inside (exit device side) of door to outside (trim side) of door. Use extra care if edge of door is beveled.
 - B. Locate and prepare all holes as shown.
3. For TP trim with 8827 Vertical Rod Device, install cylinder in trim.
4. Apply trim.
5. Apply exit device.

Device Application Schedule			
Device	"A"	"B"	"C"
8827 Vertical Rod	1-3/4"	thru	slot thru to device cutout
8875 Mortise Lock	2"	3/4"	slot thru to mortise lock cavity



LHR shown, RHR opposite
For cutouts on inside face of door, see exit device instructions

Customer Service
1-877-671-7011 www.allegion.com/us



© Allegion 2014
Printed in U.S.A.
921260-00 Rev. 01/14-b