



911179-00

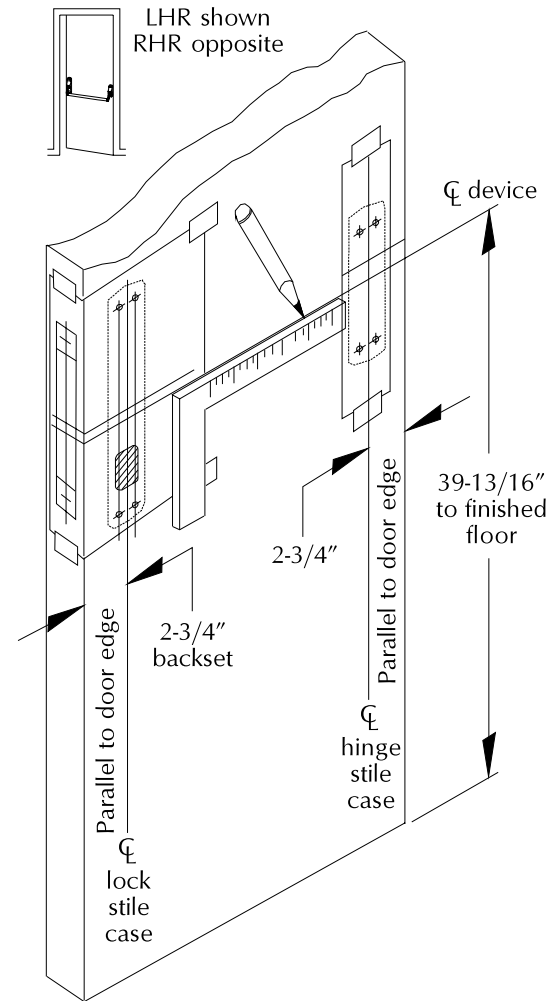
# 8875 & 8875-F

# VON DUPRIN®

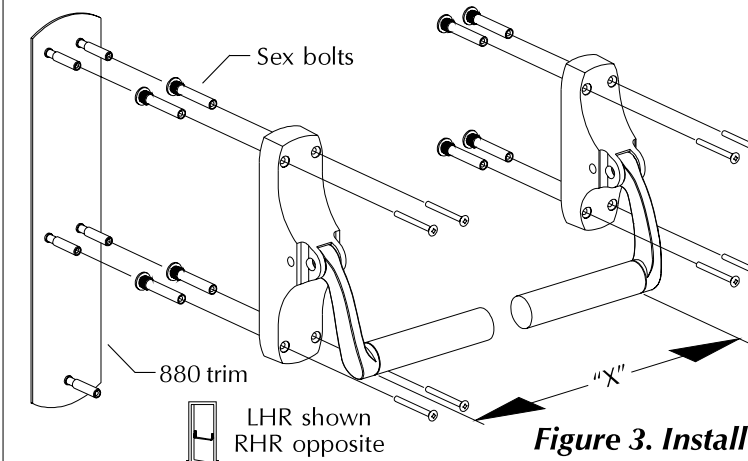
Mortise Lock Devices

Installation Instructions

1. Install threshold(s), if used, and fit and hang door(s).
2. Check that device handing matches door handing.
3. Tape full size RHR or LHR lock stile case and hinge stile case templates to inside face of door (Figure 1). Be sure center line of device is 39-13/16" from finished floor. Prepare inside face of door for device per templates.
4. Prepare lock stile of door for mortise lock (see mortise lock instructions 941019).
5. Prepare outside face of lock stile for trim (see trim instructions). Line X-X on trim instructions corresponds to line X-X on device template.
6. Prepare trim for installation (see trim instructions).
7. Install mortise lock (Figure 2).
8. For 1-3/4" thick doors, cut 3/8" off device lift finger.
9. Attach device cases to door (Figure 3).
10. Push down lock stile lever and check for full retraction of latch bolt. Release and check for full extension (3/4"). Adjust lift finger if necessary (Figure 4).
11. Measure dimension "X" (Figure 3) and cut crossbar tube to dimension "X." Cut end without hole.
12. Install crossbar tube and wedge assembly (see instructions 941009) and test crossbar for free action.
13. Prepare frame for strike (Figure 5).
14. Install strike to frame with two #12-12 x 12-24 x 1" combination screws.

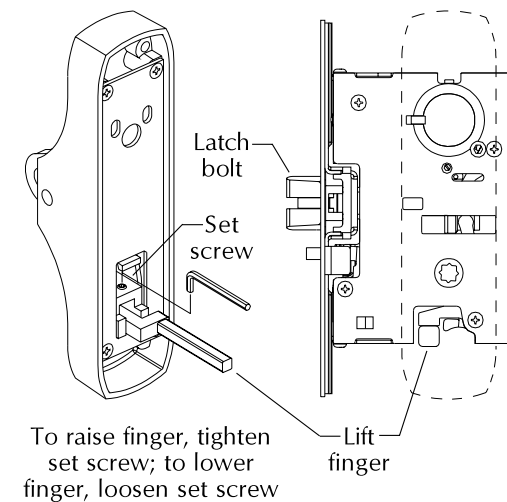


**Figure 1. Prepare Door**

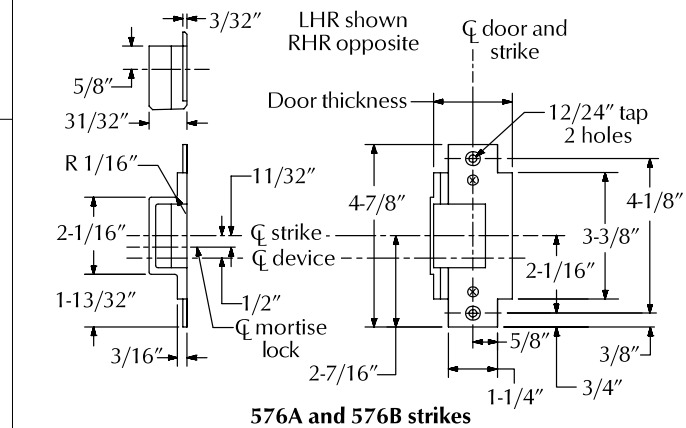
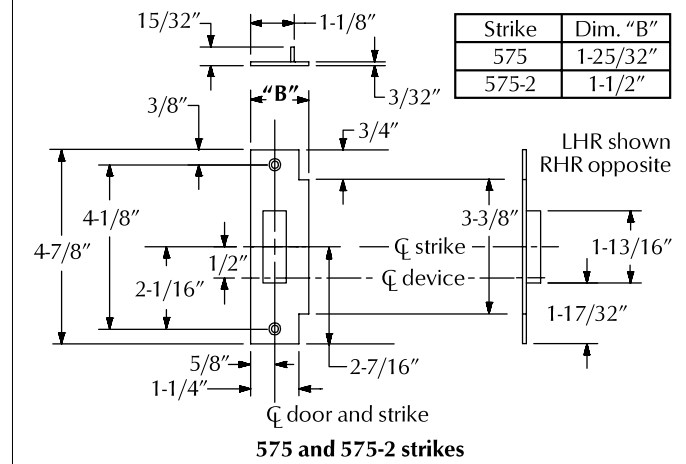


**Figure 3. Install Device**

Mounting	Fasteners
Surface	#10-12 x 10-24 x 2" combination screws (supplied with device)
880 trim	#10-24 machine screws
Sex bolts	#10-24 machine screws



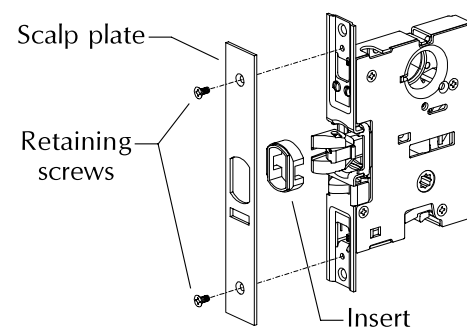
**Figure 4. Adjust Lift Finger**



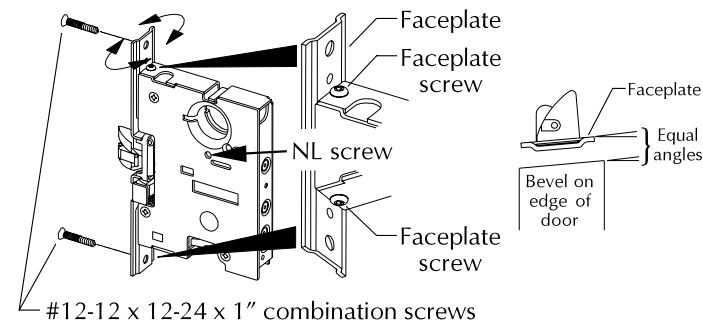
**Figure 5. Prepare Frame for Strike**

### Figure 2. Install Mortise Lock

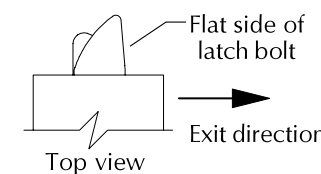
1. Remove retaining screws, scalp plate, and insert.



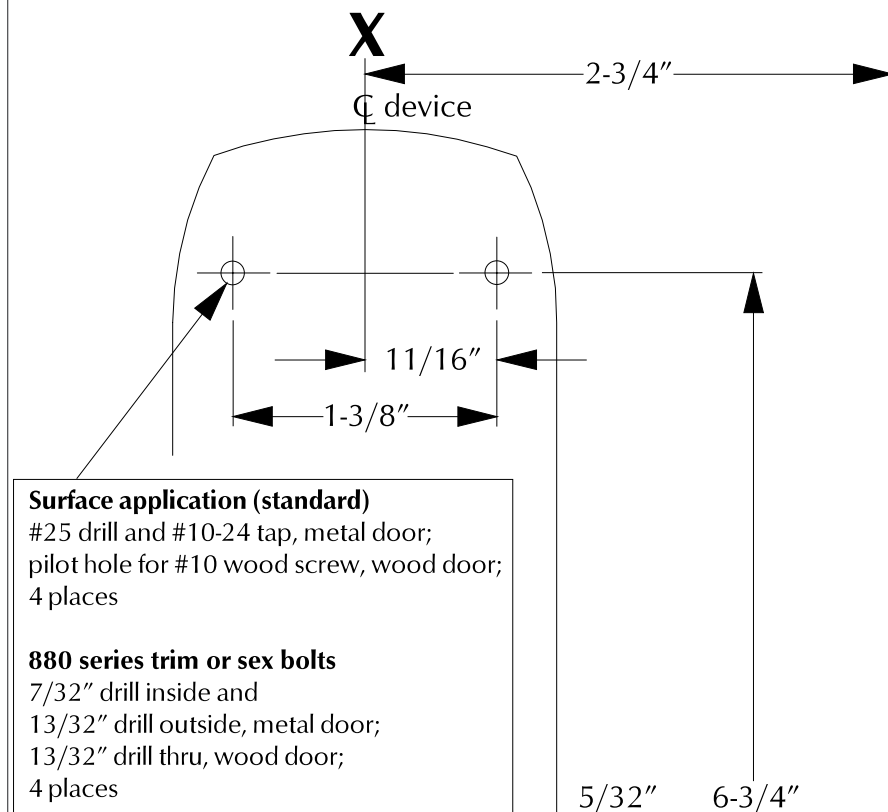
2. For TP and K trims turn NL screw clockwise all the way in.
3. Loosen top and bottom faceplate screws, pivot faceplate to match door bevel, tighten top and bottom faceplate screws.
4. Install mortise lock into door with two #12-12 x 12-24 combination screws.



5. Rotate latch bolt so flat side faces exit direction.
6. Replace insert, scalp plate, and scalp plate retaining screws.

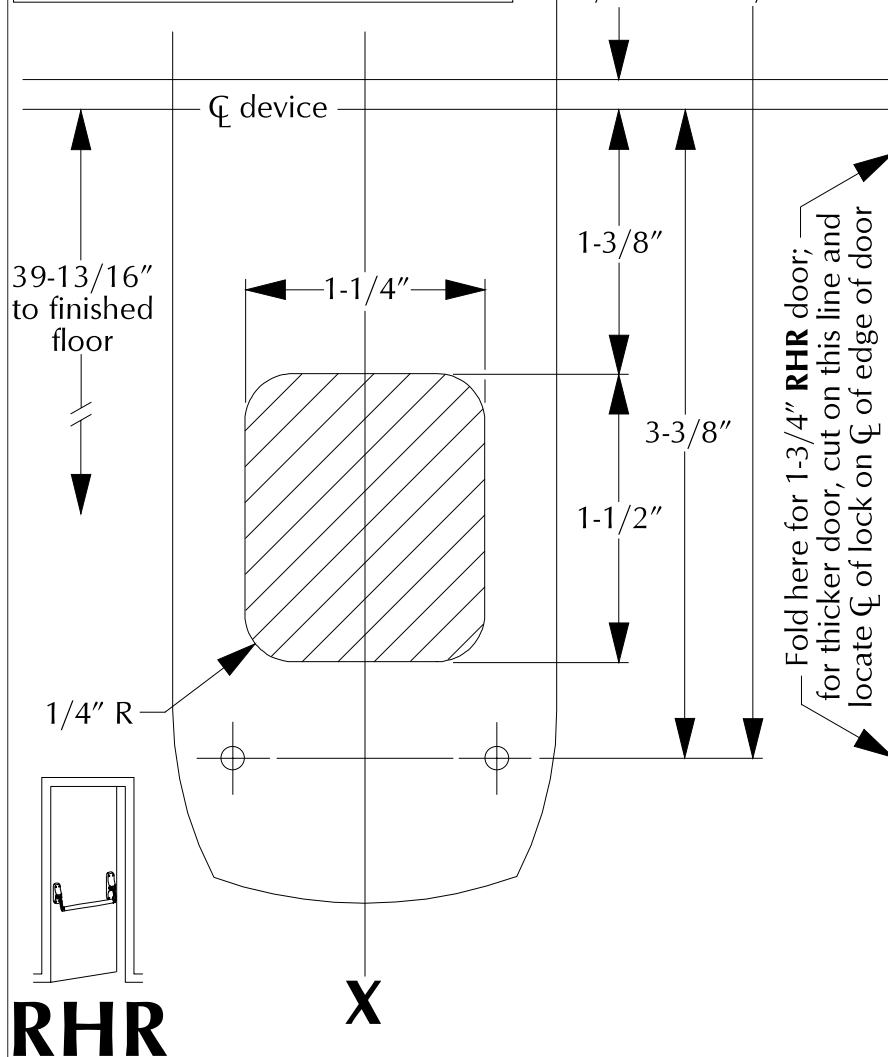


# 8875/8875-F Template



**Surface application (standard)**  
 #25 drill and #10-24 tap, metal door;  
 pilot hole for #10 wood screw, wood door;  
 4 places

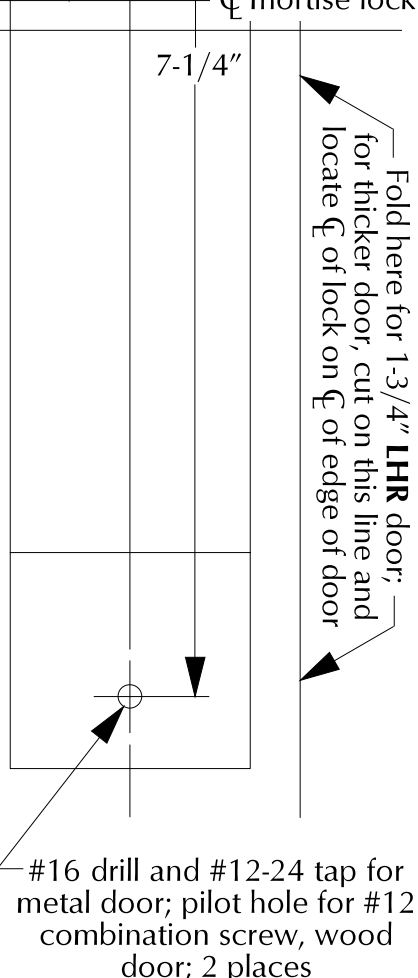
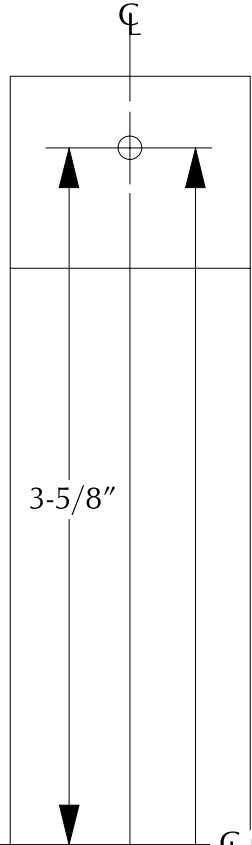
**880 series trim or sex bolts**  
 7/32" drill inside and  
 13/32" drill outside, metal door;  
 13/32" drill thru, wood door;  
 4 places



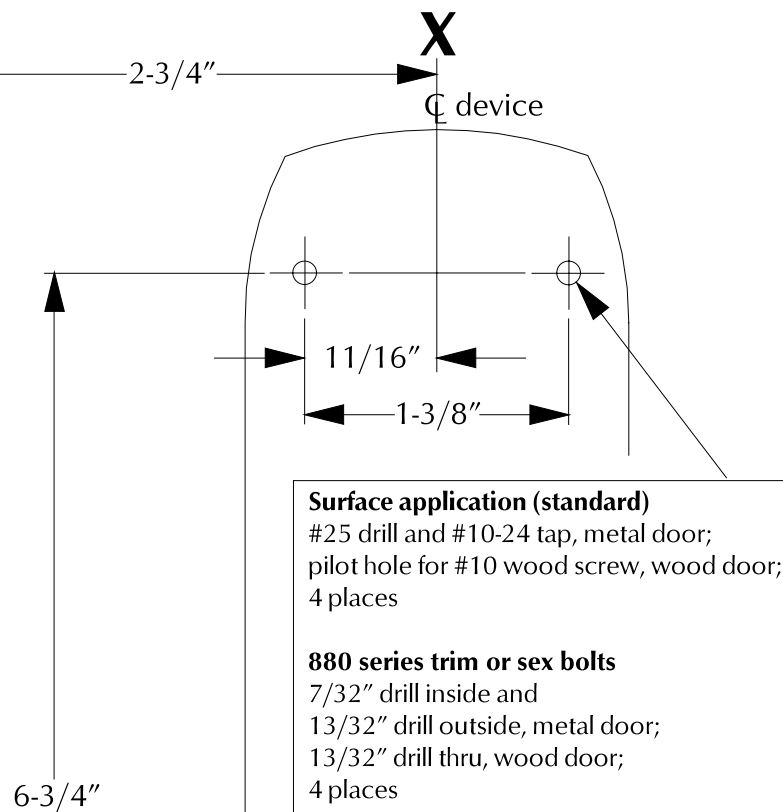
**RHR**

**X**

Mortise lock  
and edge of door

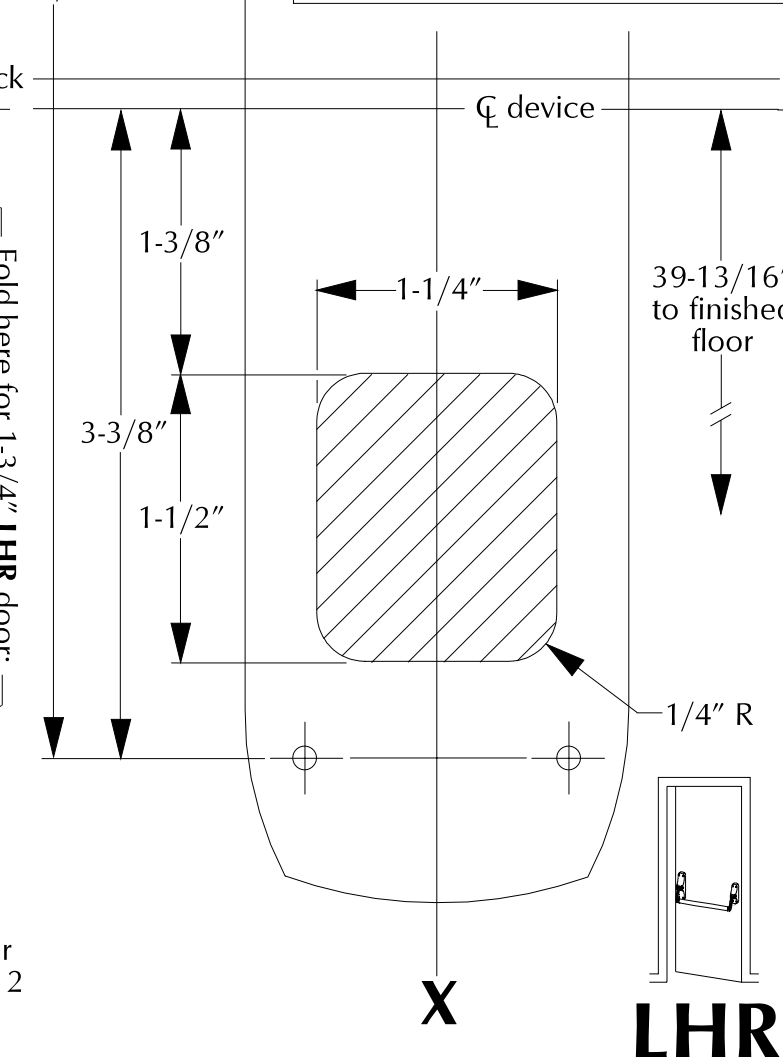


#16 drill and #12-24 tap for  
metal door; pilot hole for #12  
combination screw, wood  
door; 2 places



**Surface application (standard)**  
 #25 drill and #10-24 tap, metal door;  
 pilot hole for #10 wood screw, wood door;  
 4 places

**880 series trim or sex bolts**  
 7/32" drill inside and  
 13/32" drill outside, metal door;  
 13/32" drill thru, wood door;  
 4 places

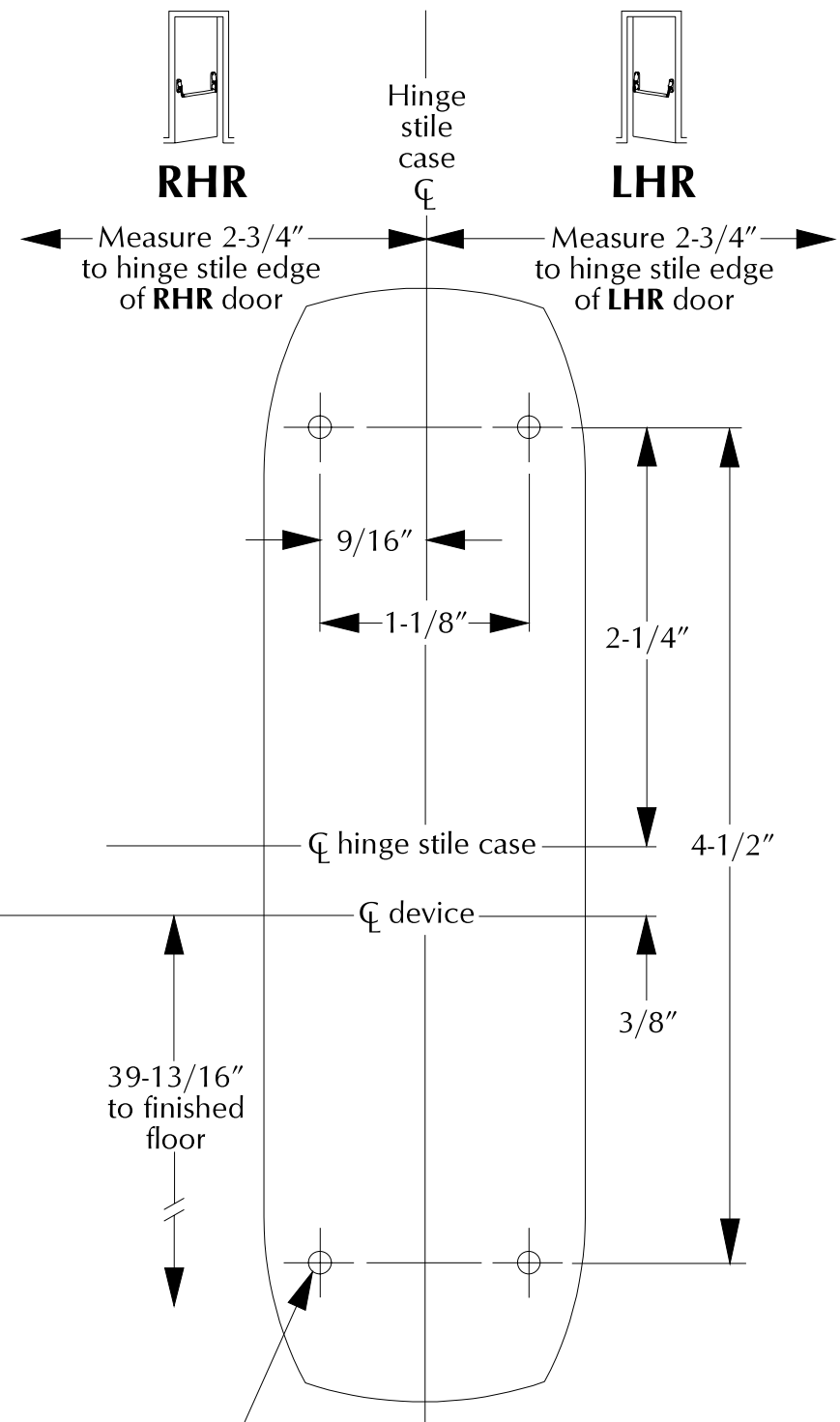


**X**

**LHR**

CUT HERE

CUT HERE



**Surface application (standard)**  
 #25 drill and #10-24 tap, metal door;  
 pilot hole for #10 wood screw, wood door;  
 4 places

**Sex bolts**  
 7/32" drill inside and  
 13/32" drill outside, metal door;  
 13/32" drill thru, wood door;  
 4 places

**RHR**

Hinge  
stile  
case

**LHR**

Measure 2-3/4"  
to hinge stile edge  
of **RHR** door

Measure 2-3/4"  
to hinge stile edge  
of **LHR** door

C hinge stile case

C device

39-13/16"  
to finished  
floor

3/8"



921257-00

Trim

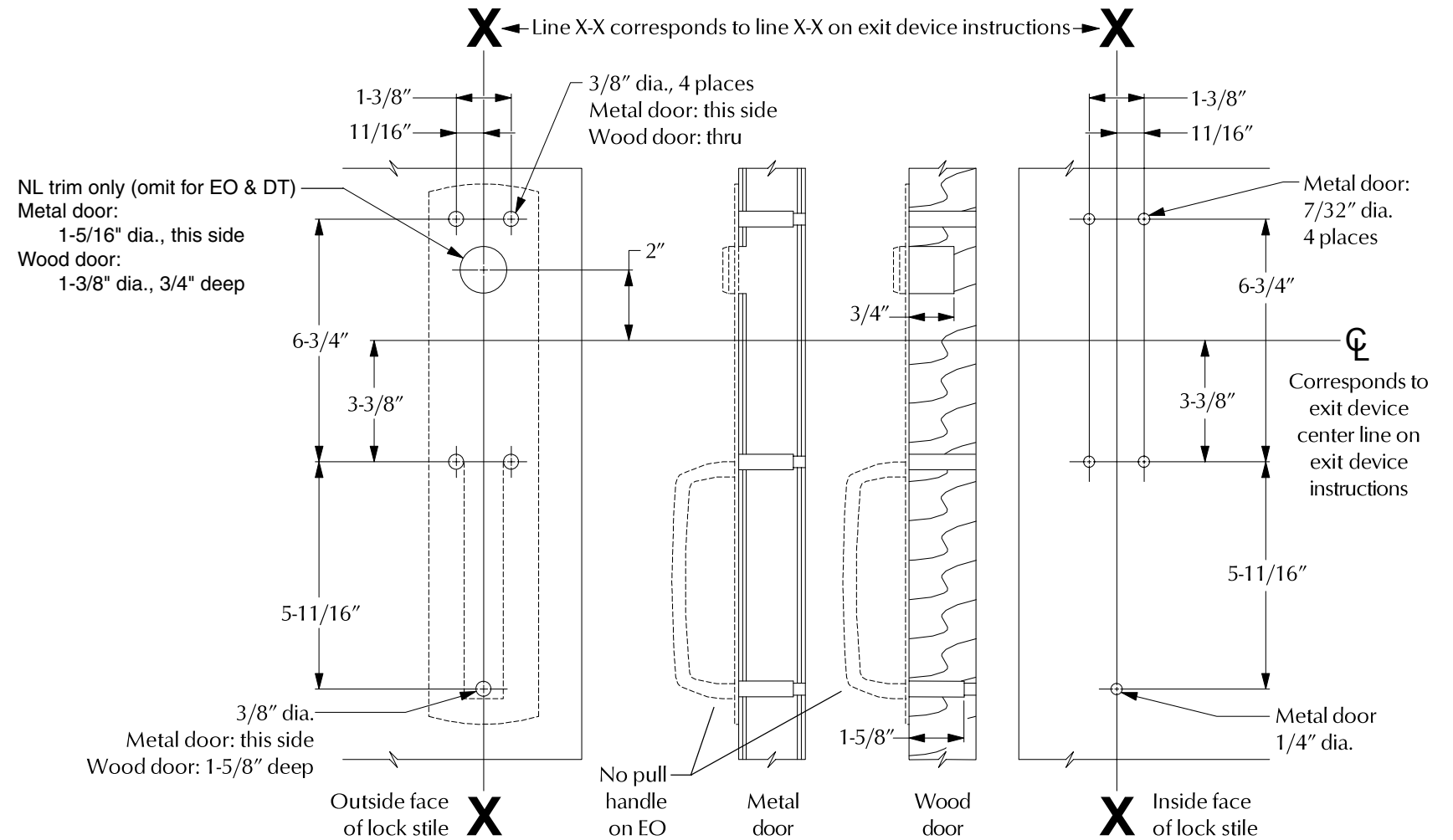
# 880EO/DT/NL

# VON DUPRIN®

Installation Instructions

1. Prepare door for exit device. See exit device instructions for holes, line X-X, and center lines.
2. Prepare door for trim:
  - A. Transfer line X-X from inside (exit device side) of door to outside (trim side) of door. Use extra care if edge of door is beveled.
  - B. Locate and prepare all holes as shown.
3. Apply trim.
4. Apply exit device.

Device Application Schedule	
Trim	Device
880EO/DT	8827 Vertical Rod 8875 Mortise Lock
880NL	8875 Mortise Lock



LHR shown, RHR opposite

For cutouts on inside face of door, see exit device instructions

**Customer Service**  
1-877-671-7011    www.allegion.com/us



© Allegion 2014  
Printed in U.S.A.  
921257-00 Rev. 01/14-c