

INSTALLATION DIRECTIONS

BEFORE APPLYING THIS DEVICE

A. Check that handing of hardware corresponds to handing of door.

1. PREPARE DOOR

A. Tape Template No. 1 or 2, depending on handing of door, to inside face of lock stile. Be sure centerline "X-X" of template is parallel to edge of door and backset is 2-3/4". Be sure centerline of device is 39-13/16" to finished floor.

B. Prepare door as shown. See Fig. 1 for metal door application.

2. INSTALL TOP ROD AND LATCH RELEASE (FIG. 2)

A. Slip top rod and latch release into top door channel cutout. Reference 2-3/8" to centerline of vertical rods.

B. Be sure latch release is flat on top door channel.

C. Apply rod guide and tighten mounting screws. (Fig. 2C)

3. INSTALL BOTTOM ROD AND GUIDE (FIG. 3) NOTE: DO NOT CUT BOTTOM ROD

A. Slip bottom rod through hole in bottom door channel.

B. Screw coupling on bottom rod onto top rod.

C. Install bottom rod guide with spring toward top of door.

4. ADJUST BOTTOM ROD

A. Depress plunger and push top rod toward bottom of door.

B. Bottom rod must extend 5/8" from bottom of door.

C. If necessary adjust coupling to raise or lower bottom rod.

D. Be sure rectangular hole in coupling is visible through rectangular cutout in door.

5. INSTALL LEVER ARMS

A. Insert lever arms into lock stile and hinge stile cases.

B. Assemble axles and tighten securely. (See instructions in axle envelope.)

6. APPLY LOCK STILE CASE (FIG. 4)

A. Check device lift flinger for correct length. Cut 1/4" off for 1 3/4" thick door installation

B. Adjust lift flinger to contact top of rectangular hole in coupling (Fig. 4A).

C. Attach lock stile case to door. See Fig. 1.

7. HANG DOOR AND INSTALL SILL STRIKE AND THRESHOLD (IF ANY) FIG. 5

8. INSTALL SOFFIT LATCH BOLT (FIG. 6)

A. Block door in open position.

B. Install latch bolt as shown.

9. APPLY PLUNGER RELEASE BRACKET (FIG. 7)

A. Close door against stop.

B. Tape Template No. 3 to stop and prepare frame for attaching screws.

C. Position bracket to depress plunger, and allow rods to fall into engaged position.

D. Tighten bracket mounting screws.

10. ADJUST LIFT FINGER (FIG. 8)

A. Depress lock stile case lever arm.

B. Check top rod for full retraction of latch bolt. Top rod should be flush to 1/16" above latch release surface.

C. Check bottom rod for full retraction from strike.

D. Remove lock stile case and adjust finger if necessary. (Fig. 4A)

11. APPLY HINGE STILE CASE AND CROSSBAR TUBE (FIG. 9)

A. Slip crossbar tube on lock stile and hinge stile lever arms. (See Form No. 52 for cutting crossbar.)

B. Be sure crossbar is level and hinge stile case is parallel to edge of door and approximately on centerline of exposed stile.

C. Using holes in hinge stile case, mark location and prepare door for attaching screws.

D. Apply hinge stile case with crossbar in place.

E. Tighten wedge-tite set screws securely with dog key and screwdriver or equivalent for leverage, and test crossbar for free action. (See Form No. 52 for these instructions.)

12. APPLY OUTSIDE TRIM (IF REQUIRED)

A. See directions in trim carton. Line "X-X" on trim template corresponds to line "X-X" on device template and is parallel to edge of door. Transfer line "X-X" from inside face to outside face of door.

B. Prepare outside face of lock stile and apply trim.

13. APPLY COORDINATOR

See directions in coordinator package.

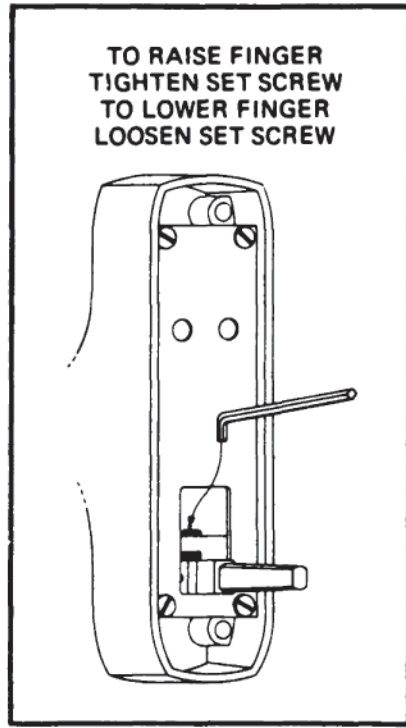


FIG. 4A

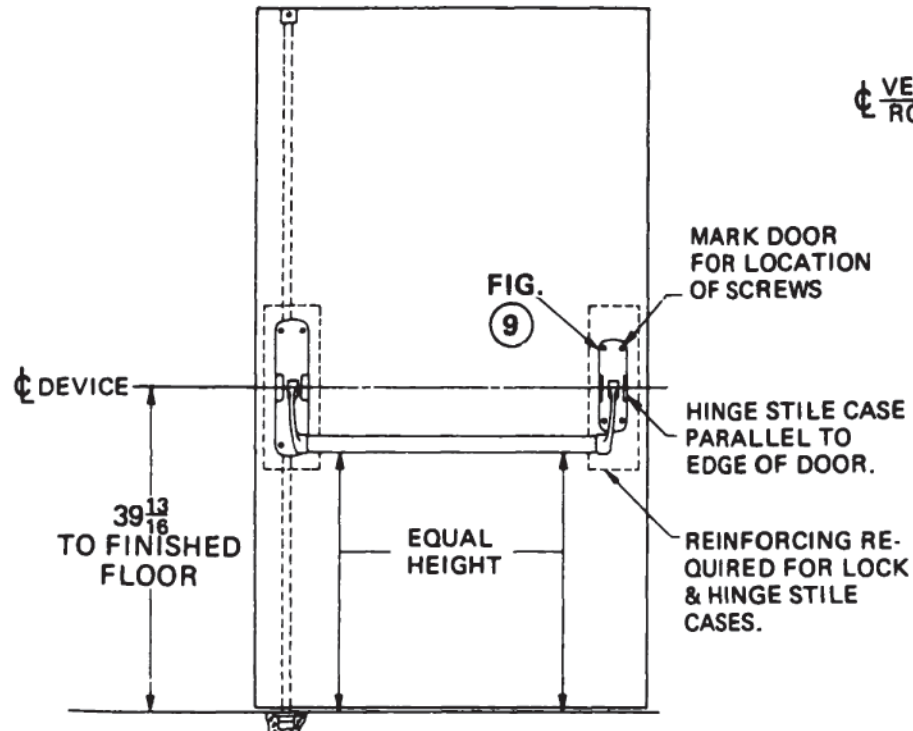
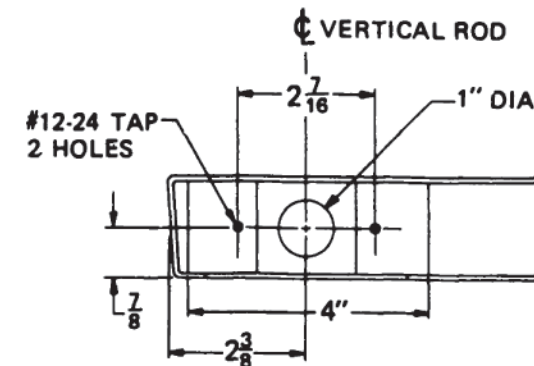
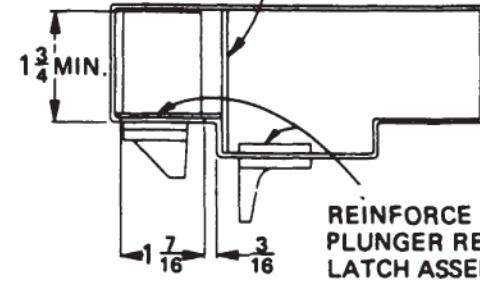


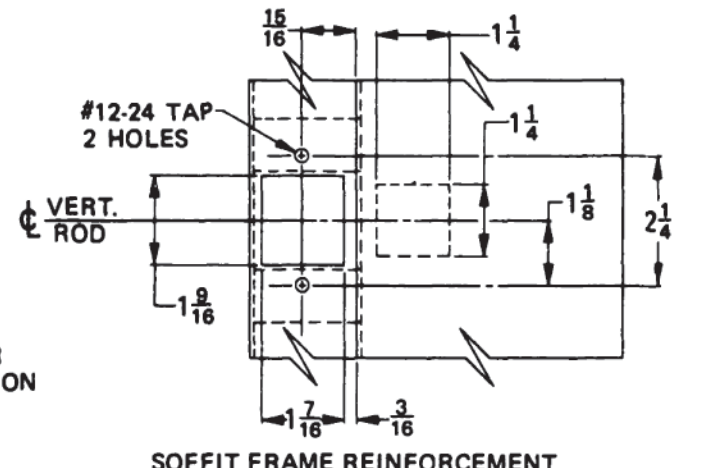
FIG. 5



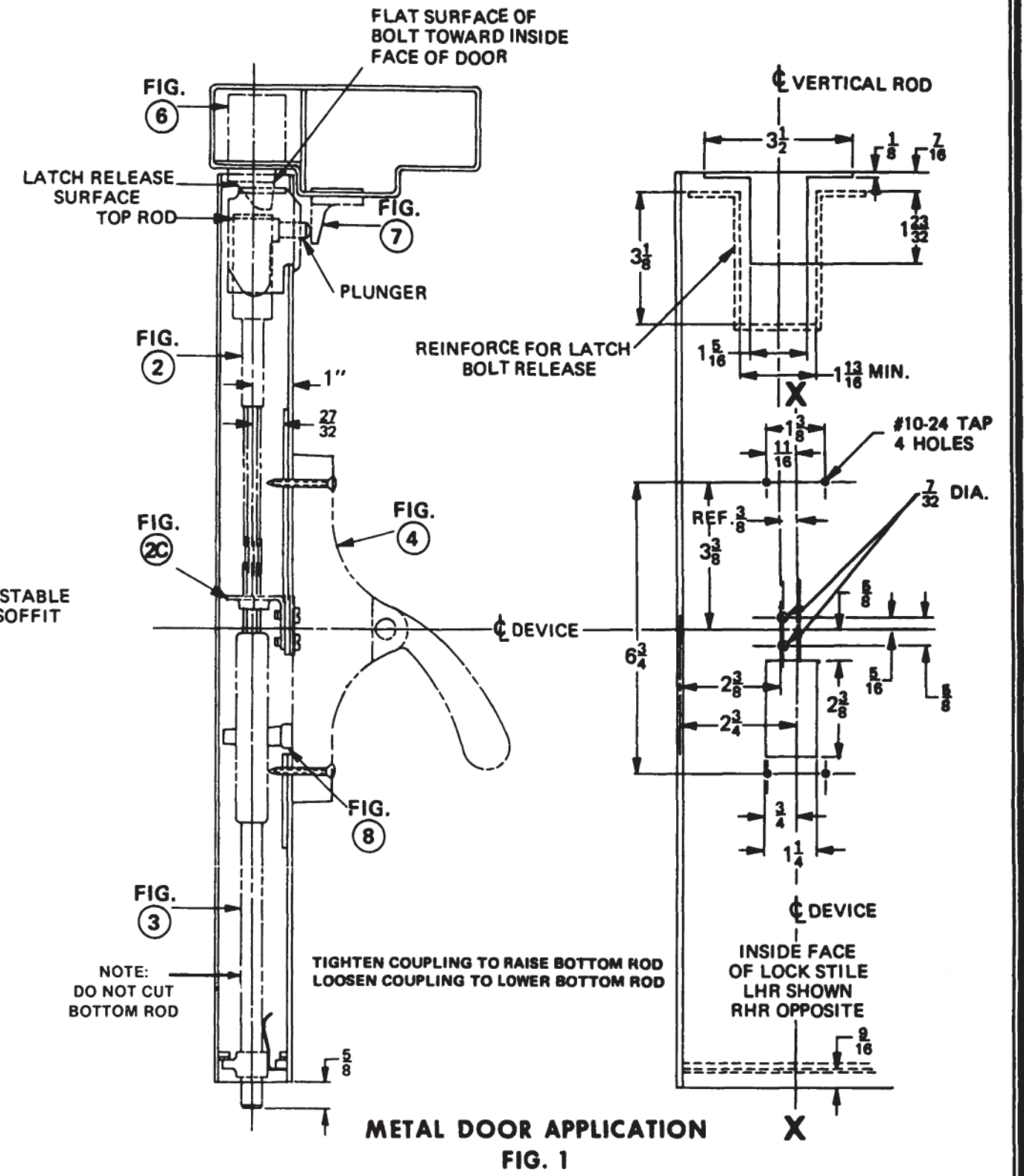
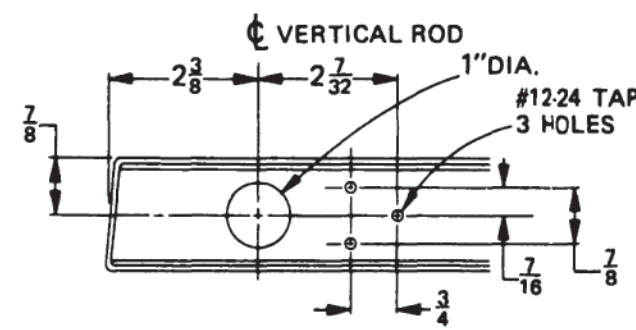
NOTE - MORTAR GUARD SHOULD BE PROVIDED TO PROTECT SOFFIT LATCH BOLT ASSEMBLY



REINFORCE FOR ADJUSTABLE PLUNGER RELEASE & SOFFIT LATCH ASSEMBLY



SOFFIT FRAME REINFORCEMENT



METAL DOOR APPLICATION

FIG. 1

Customer Service
1-877-671-7011 www.allegion.com/us



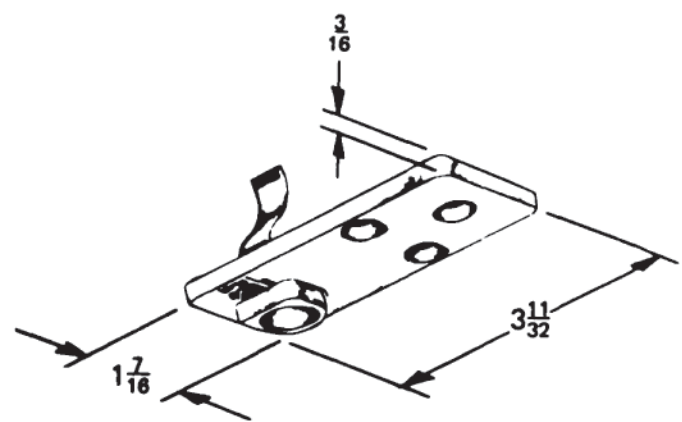
UL LISTED FIRE EXIT HARDWARE

DESCRIPTION **8847-F CONCEALED VERTICAL ROD DEVICE**

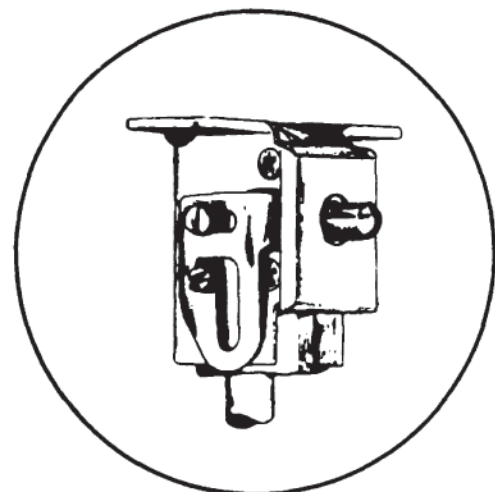
VON DUPRIN

DIRECTION NUMBER 911163-00 (c) DATE 10/14

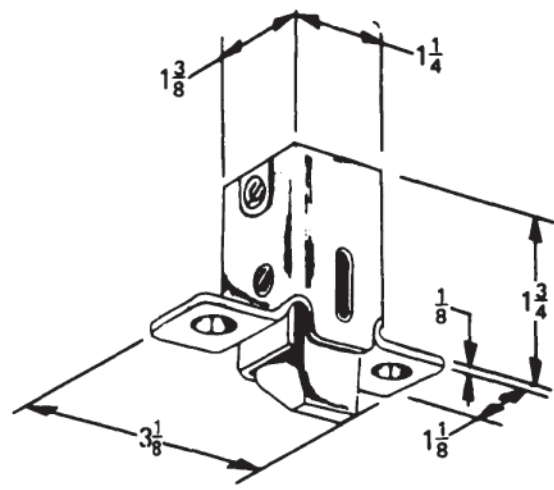
FOR TRIM APPLICATION SEE DIRECTIONS IN TRIM CARTON IF REQUIRED



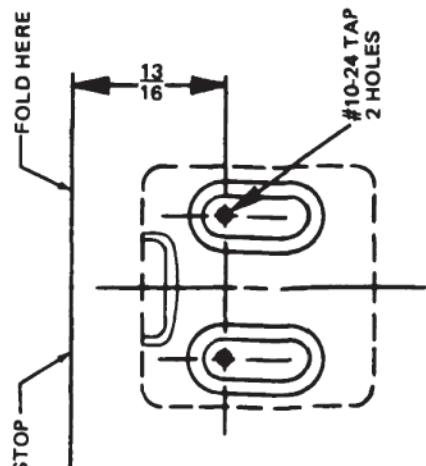
BOTTOM ROD GUIDE



LATCH BOLT RELEASE

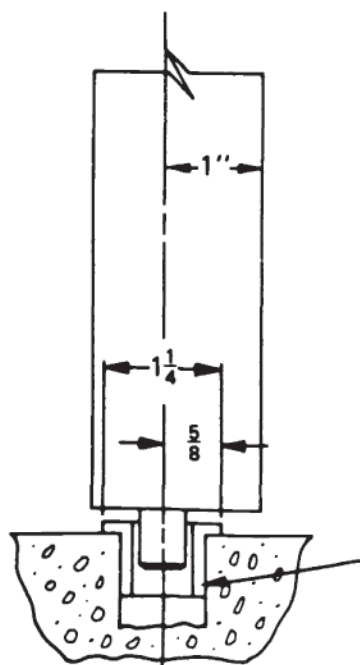


SOFFIT LATCH BOLT ASSEMBLY

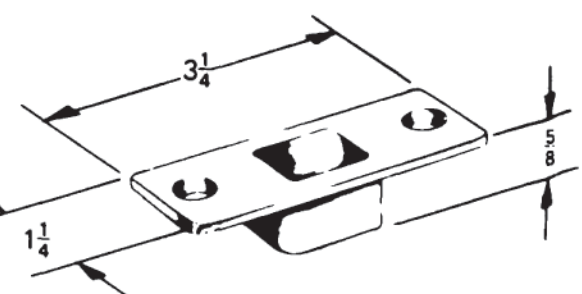


TEMPLATE NO. 3

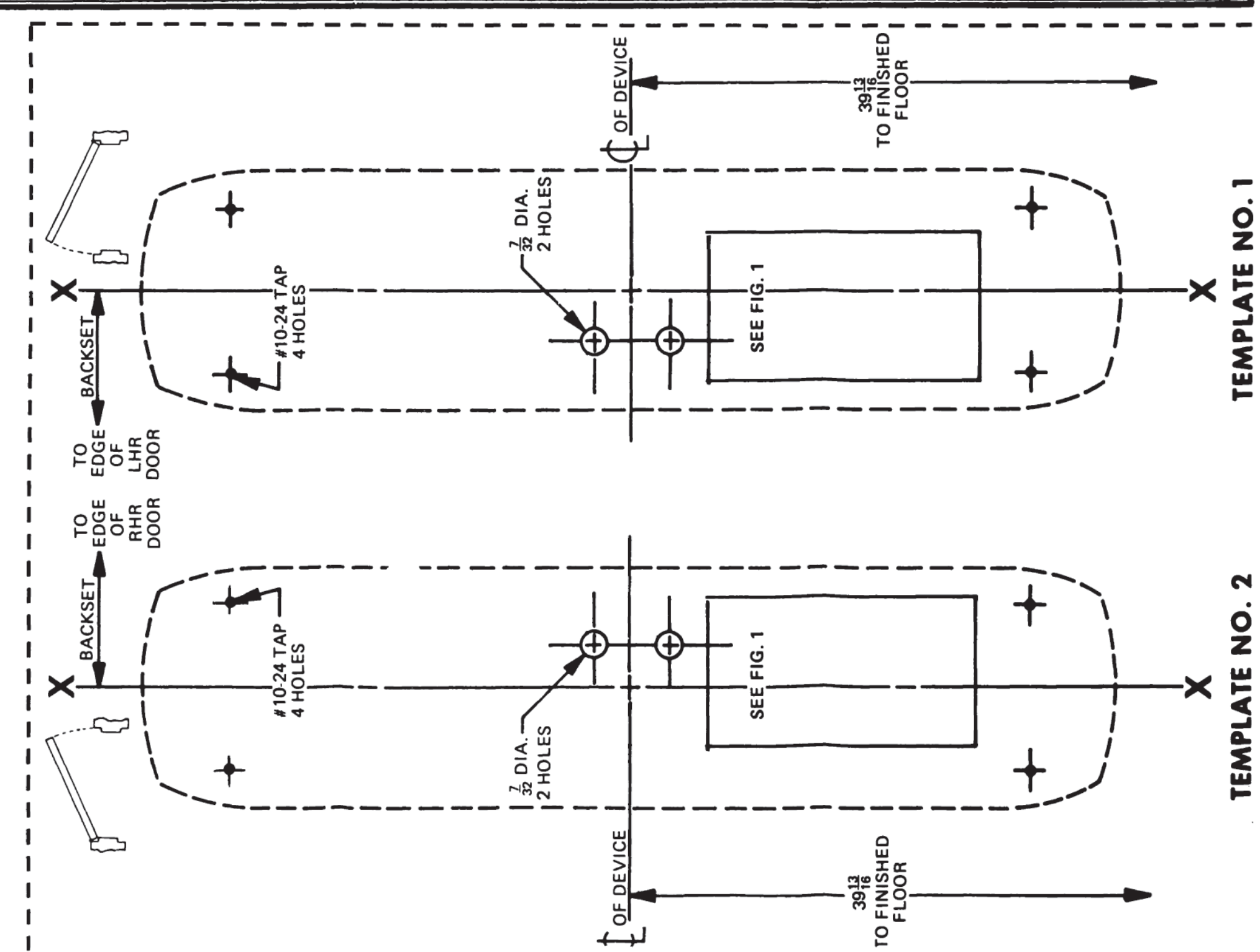
PLUNGER RELEASE BRACKET



FLAT SILL APPLICATION



301L STRIKE



TEMPLATE NO. 1

TEMPLATE NO. 2



941100-00

Control

371-L & 371-L-BE

VON DUPRIN®

Installation Instructions

1. Prepare door for exit device. See exit device instructions for locations of holes, backset (line X-X), and center lines.

2. Prepare door for control:

A. Transfer line X-X from inside (exit device side) of door to outside (control side) of door. Use extra care if edge of door is beveled. Be sure line X-X is parallel to edge of door.

B. Locate and prepare holes as indicated.

3. Install rod member (Figure 1):

A. Slip top rod assembly in door until bottom of rod is visible in control cutout.

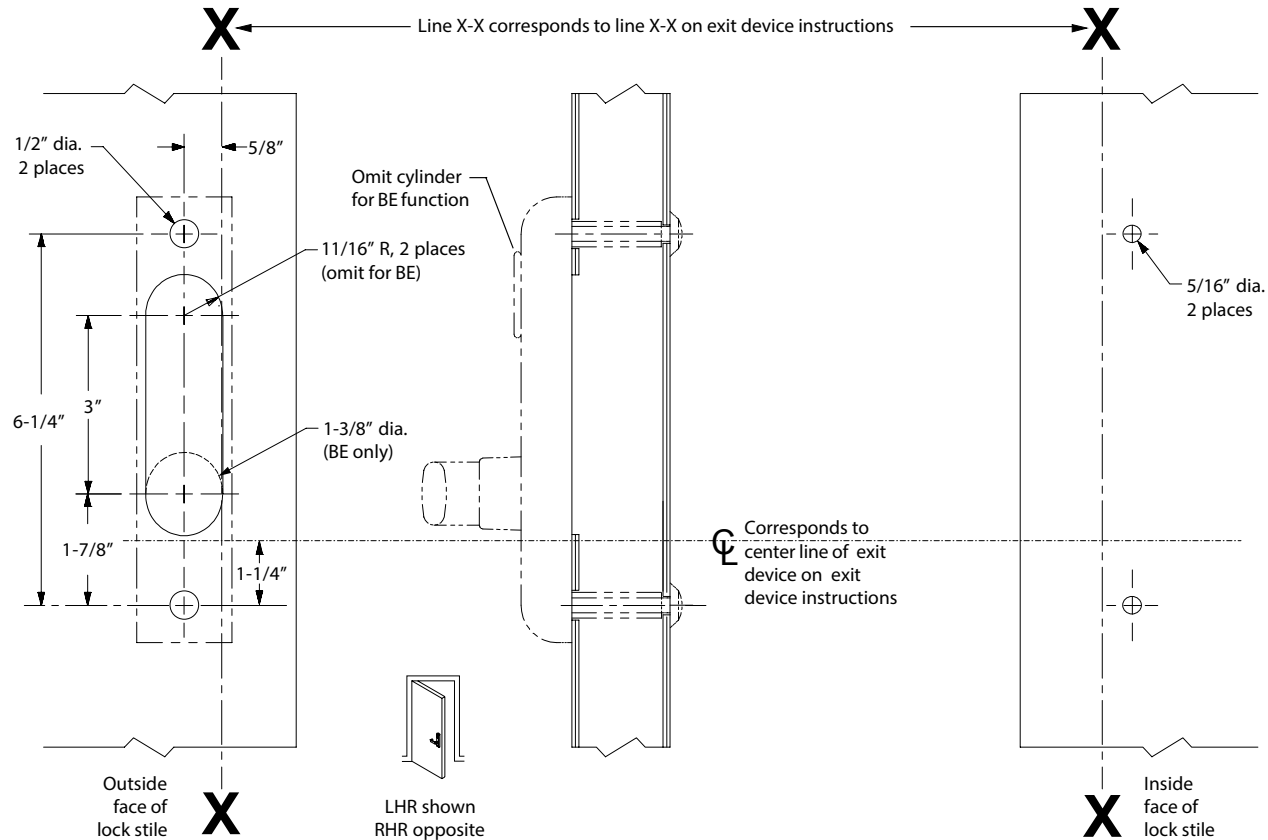
B. Slip rod member on top rod according to handing of door. Keep rod member visible in cutout and lower top rod assembly until latch release is in position on latch release reinforcement. Slightly tighten socket set screws in rod member to maintain this position.

C. Complete the installation and adjustment of top and bottom rod assemblies. See directions for vertical rod device.

4. Install cylinder if required (Figs. 2 & 3). Insure cylinder cam is set for required function and replace if necessary.

5. Install control and adjust member so that the bottom surface is against top surface of control cam. Secure rod member by tightening socket set screws.

6. Apply device and test key, control, and device action.



For cutouts on inside face of door see instructions in device carton	Device Application Schedule
	5547-F Vertical Rod Exit Device

Customer Service
 1-877-671-7011 www.allegion.com/us



© Allegion 2014
Printed in U.S.A.
941100-00 Rev. 01/14-b

TL Function - Control remains unlocked when key is removed

NL Function - Control relocks when key is removed. Requires use of key to operate

For NL function replace TL cylinder plate (std. on all controls) with NL cylinder plate (included in polybag) replacing screw and washer.

Note: Control must be in locked position when installing cylinder plate.

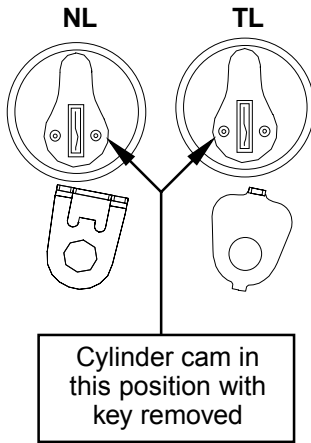


Figure 2

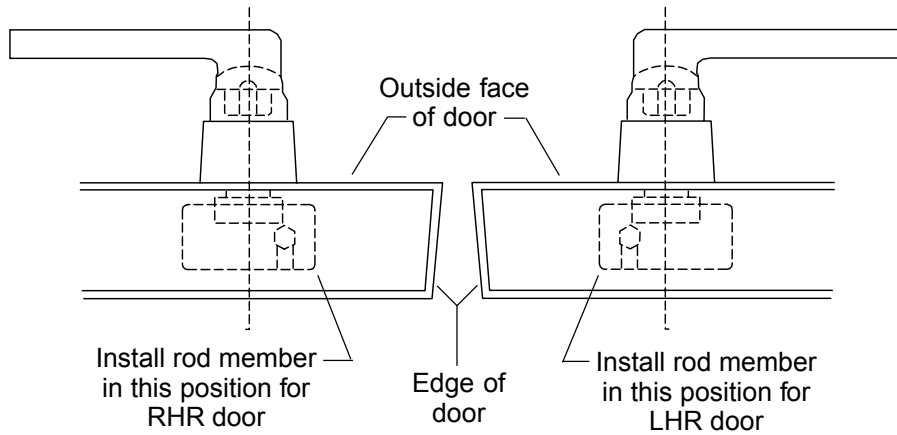


Figure 1

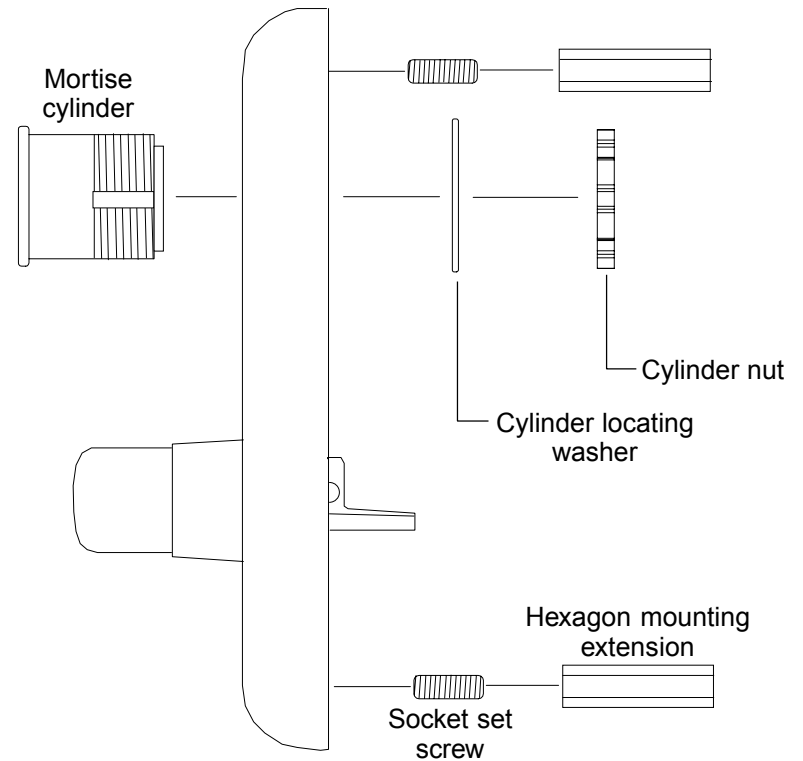


Figure 3



941098-00

Control

371-L & 371-L-BE

VON DUPRIN

Installation Instructions

1. Prepare door for exit device. See exit device instructions for locations of holes, backset (line X-X), and center lines.

2. Prepare door for control:

A. Transfer line X-X from inside (exit device side) of door to outside (control side) of door. Use extra care if edge of door is beveled. Be sure line X-X is parallel to edge of door.

B. Locate and prepare holes as indicated.

3. Install rod member (Figure 1):

A. Slip top rod assembly in door until bottom of rod is visible in control cutout.

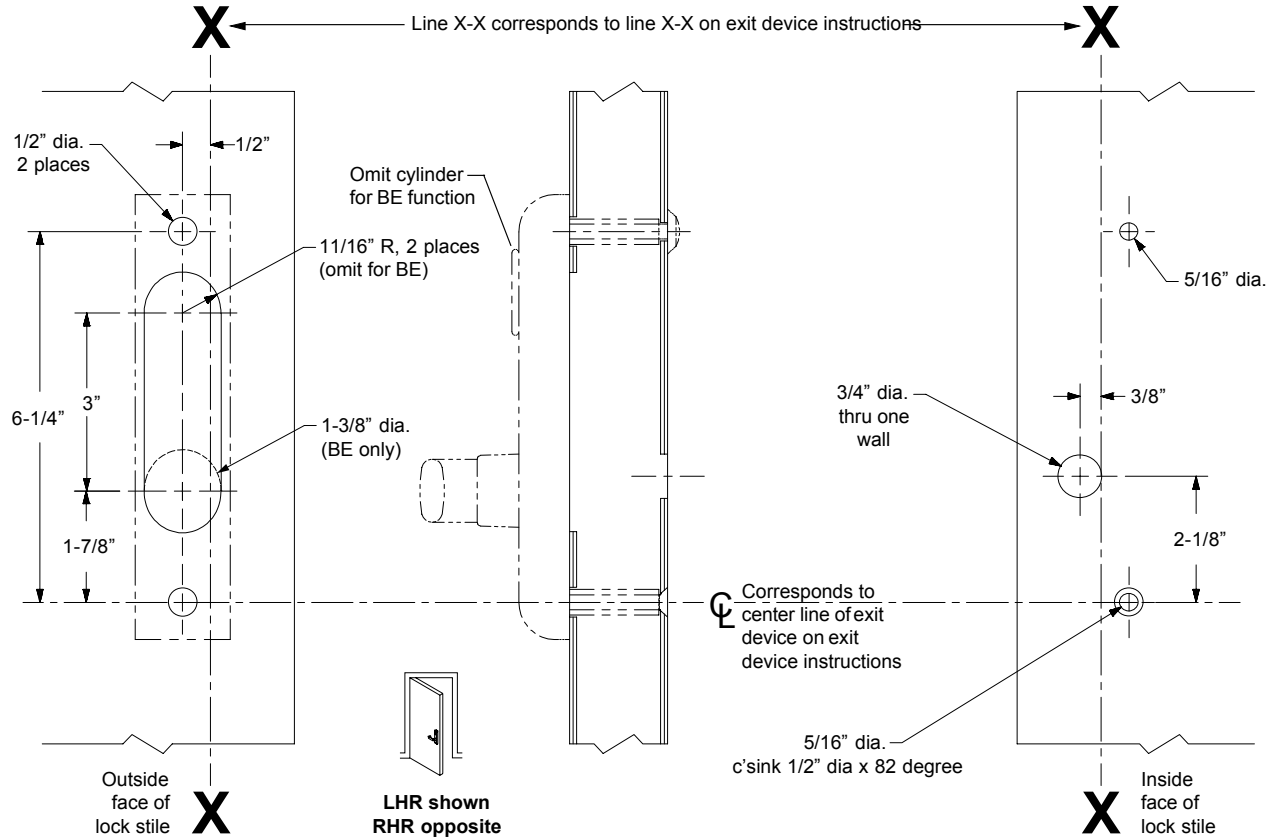
B. Slip rod member on top rod according to handing of door. Keep rod member visible in cutout and lower top rod assembly until latch release is in position on latch release reinforcement. Slightly tighten socket set screws in rod member to maintain this position.

C. Complete the installation and adjustment of top and bottom rod assemblies. See directions for vertical rod device.

4. Install cylinder if required (Figs. 2 & 3). Insure cylinder cam is set for required function and replace if necessary.

5. Install control and adjust member so that the bottom surface is against top surface of control cam. Secure rod member by tightening socket set screws.

6. Apply device and test key, control, and device action.



For cutouts on inside face of door see instructions in device carton

Device Application Schedule
8847-F Vertical Rod Exit Device

Customer Service

1-877-671-7011 www.allegion.com/us



© Allegion 2014
Printed in U.S.A.
941098-00 Rev. 01/14-b

TL Function - Control remains unlocked when key is removed

NL Function - Control relocks when key is removed. Requires use of key to operate

For NL function replace TL cylinder plate (std. on all controls) with NL cylinder plate (included in polybag) replacing screw and washer.

Note: Control must be in locked position when installing cylinder plate.

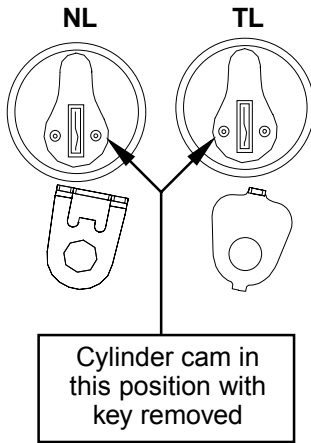


Figure 2

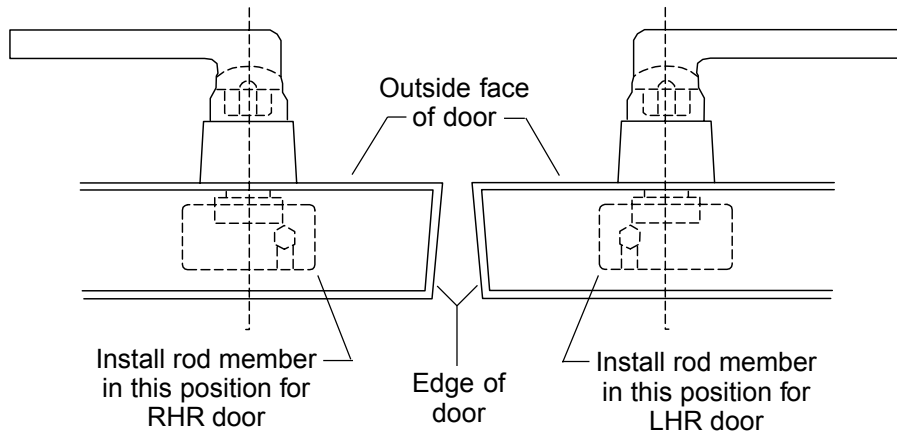


Figure 1

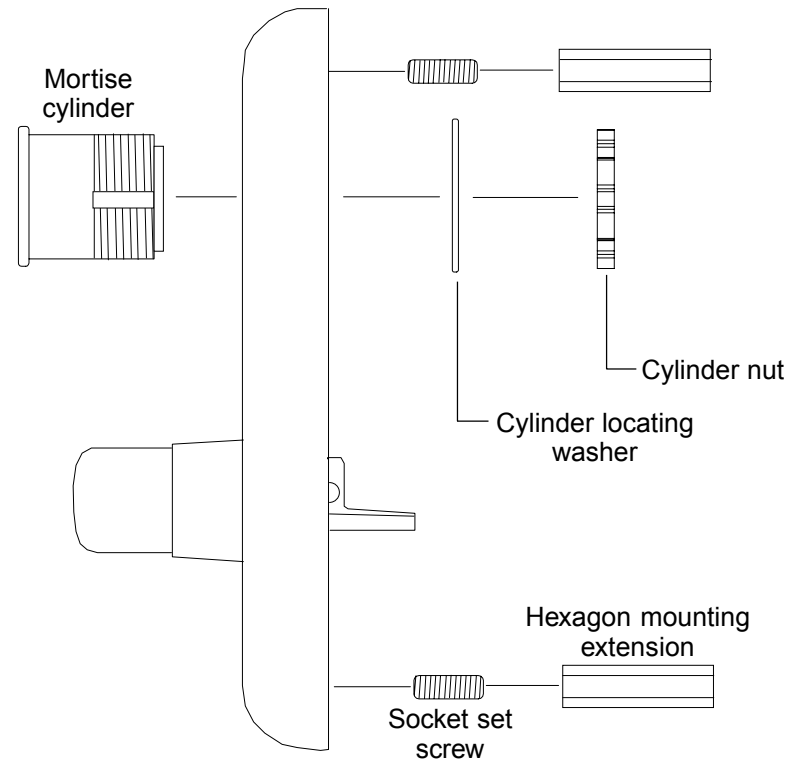


Figure 3