

# INSTALLATION DIRECTIONS

## BEFORE APPLYING THIS DEVICE

A. Check that handing of hardware corresponds to handing of door.

### 1. PREPARE DOOR

A. Tape Template No. 1 or 2, depending on handing of door, to inside face of lock stile. Be sure centerline "X-X" of template is parallel to edge of door and backset is 2-3/4". Be sure centerline of device is 39-13/16" to finished floor.

B. Prepare door as shown. See Fig. 1 for metal door application.

### 2. INSTALL TOP ROD AND LATCH RELEASE (FIG. 2)

A. Slip top rod and latch release into top door channel cutout. Reference 2-3/8" to centerline of vertical rods.

B. Be sure latch release is flat on top door channel.

C. Apply rod guide and tighten mounting screws. (Fig. 2C)

### 3. INSTALL BOTTOM ROD AND GUIDE (FIG. 3)

NOTE: DO NOT CUT BOTTOM ROD

A. Slip bottom rod through hole in bottom door channel.

B. Screw coupling on bottom rod onto top rod.

C. Install bottom rod guide with spring toward top of door.

### 4. ADJUST BOTTOM ROD

A. Depress plunger and push top rod toward bottom of door.

B. Bottom rod must extend 5/8" from bottom of door.

C. If necessary adjust coupling to raise or lower bottom rod.

D. Be sure rectangular hole in coupling is visible through rectangular cutout in door.

### 5. INSTALL LEVER ARMS

A. Insert lever arms into lock stile and hinge stile cases.

B. Assemble axles and tighten securely. (See instructions in axle envelope.)

### 6. APPLY LOCK STILE CASE (FIG. 4)

A. Check device lift finger for correct length. Cut 1/4" off for 1 3/4" thick door installation

B. Adjust lift finger to contact top of rectangular hole in coupling (Fig. 4A).

C. Attach lock stile case to door. See Fig. 1.

### 7. HANG DOOR AND INSTALL SILL STRIKE AND THRESHOLD (IF ANY) FIG. 5

### 8. INSTALL SOFFIT LATCH BOLT (FIG. 6)

A. Block door in open position.

B. Install latch bolt as shown.

### 9. APPLY PLUNGER RELEASE BRACKET (FIG. 7)

A. Close door against stop.

B. Tape Template No. 3 to stop and prepare frame for attaching screws.

C. Position bracket to depress plunger, and allow rods to fall into engaged position.

D. Tighten bracket mounting screws.

### 10. ADJUST LIFT FINGER (FIG. 8)

A. Depress lock stile case lever arm.

B. Check top rod for full retraction of latch bolt. Top rod should be flush to 1/16" above latch release surface.

C. Check bottom rod for full retraction from strike.

D. Remove lock stile case and adjust finger if necessary. (Fig. 4A)

### 11. APPLY HINGE STILE CASE AND CROSSBAR TUBE (FIG. 9)

A. Slip crossbar tube on lock stile and hinge stile lever arms. (See Form No. 52 for cutting crossbar.)

B. Be sure crossbar is level and hinge stile case is parallel to edge of door and approximately on centerline of exposed stile.

C. Using holes in hinge stile case, mark location and prepare door for attaching screws.

D. Apply hinge stile case with crossbar in place.

E. Tighten wedge-tite set screws securely with dog key and screwdriver or equivalent for leverage, and test crossbar for free action. (See Form No. 52 for these instructions.)

### 12. APPLY OUTSIDE TRIM (IF REQUIRED)

A. See directions in trim carton. Line "X-X" on trim template corresponds to line "X-X" on device template and is parallel to edge of door. Transfer line "X-X" from inside face to outside face of door.

B. Prepare outside face of lock stile and apply trim.

### 13. APPLY COORDINATOR

See directions in coordinator package.

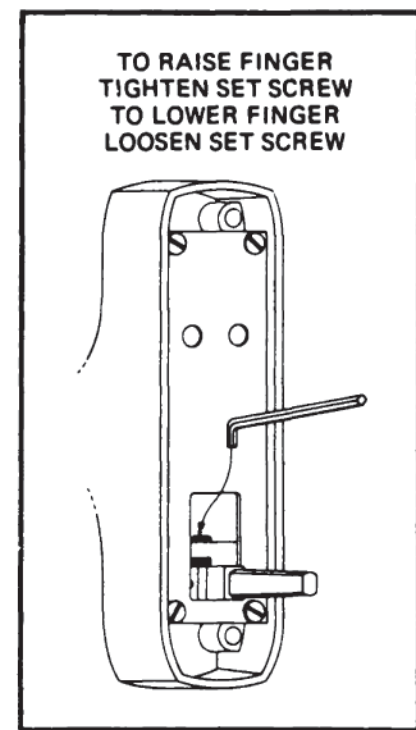


FIG. 4A

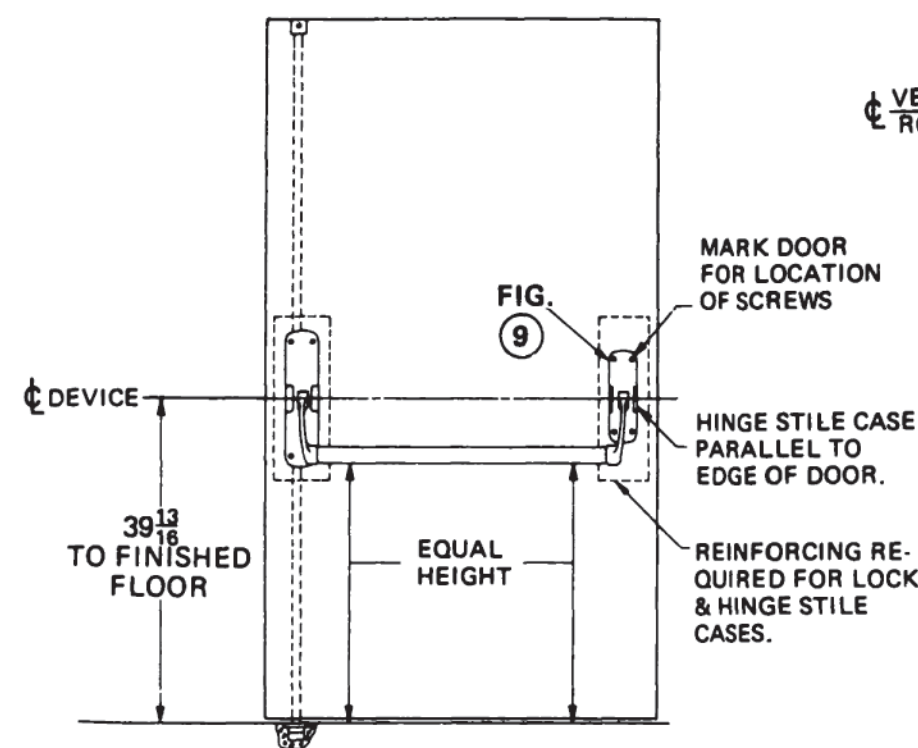
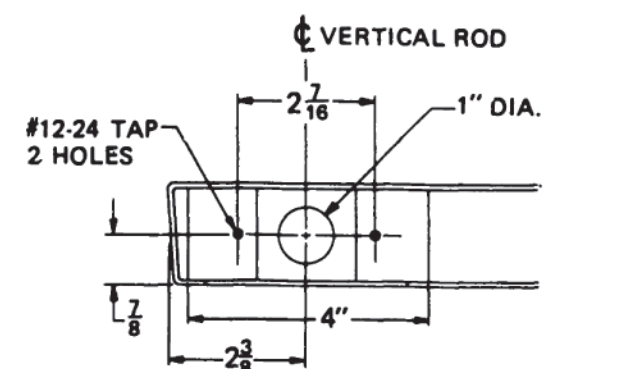


FIG. 5



NOTE - MORTAR GUARD SHOULD BE PROVIDED TO PROTECT SOFFIT LATCH BOLT ASSEMBLY

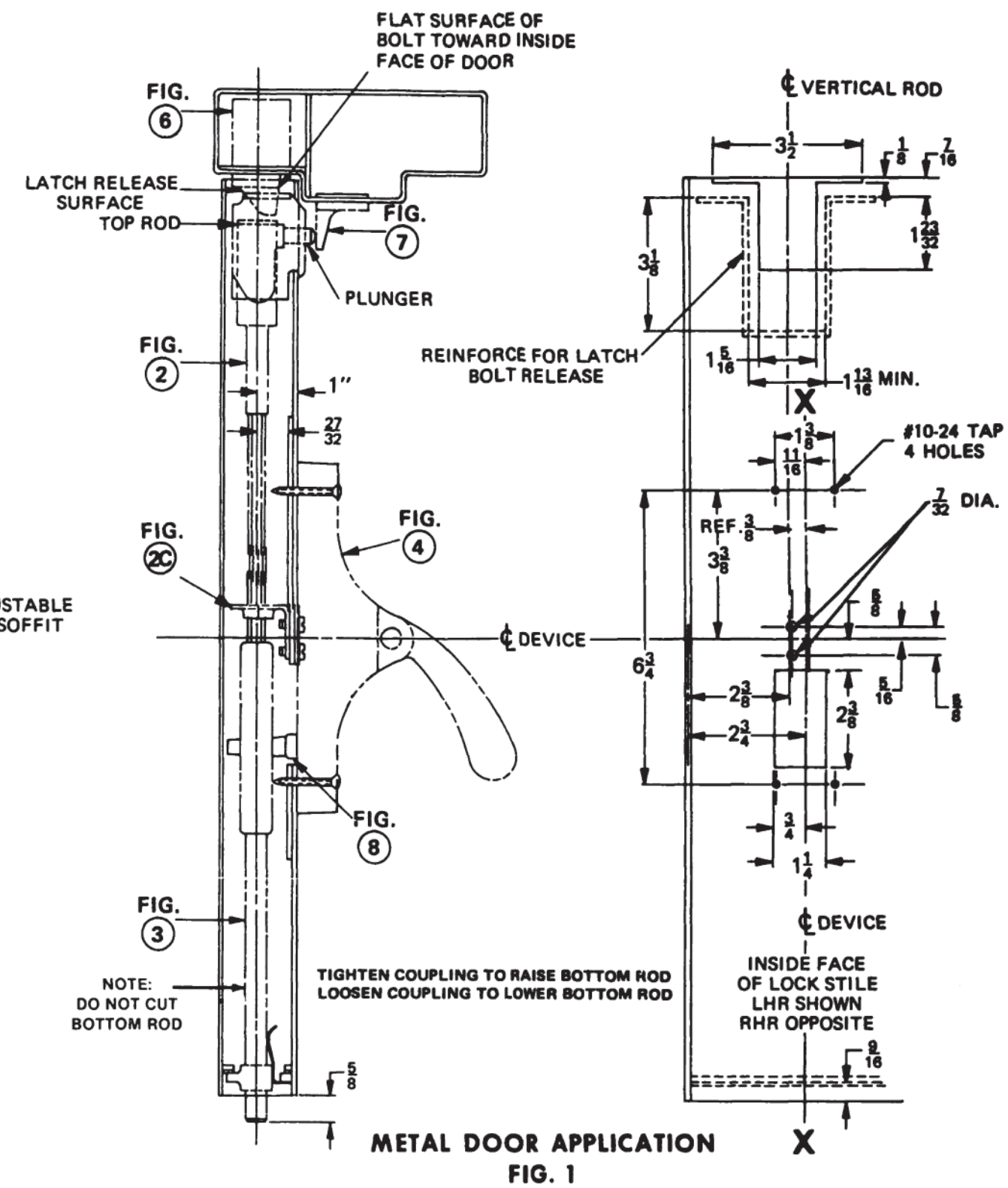
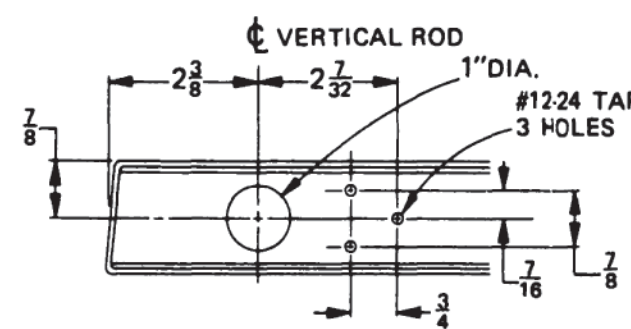
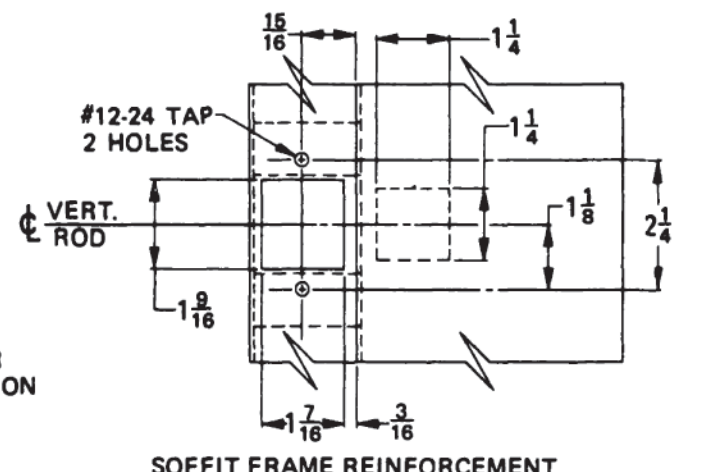
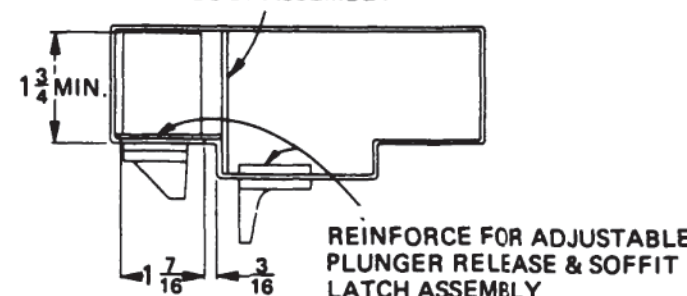


FIG. 1

Customer Service  
1-877-671-7011 www.allegion.com/us



911163-00

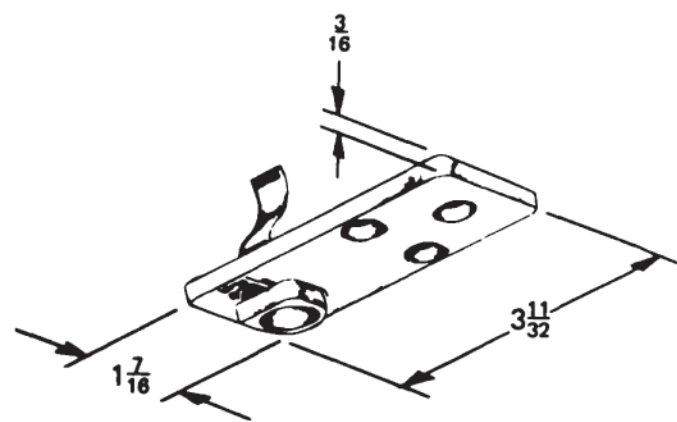
UL LISTED FIRE EXIT HARDWARE

DESCRIPTION **8847-F CONCEALED VERTICAL ROD DEVICE**

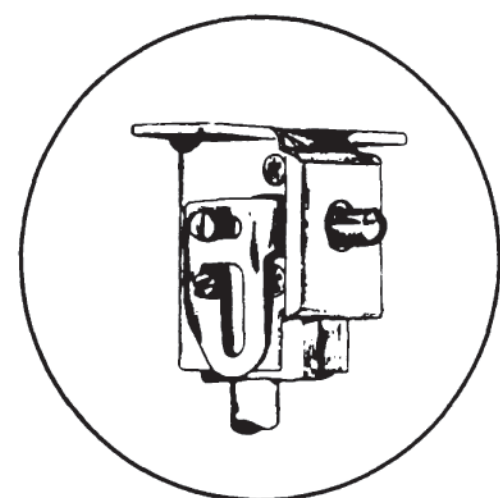
**VON DUPRIN**

DIRECTION NUMBER 911163-00 (c) DATE 10/14

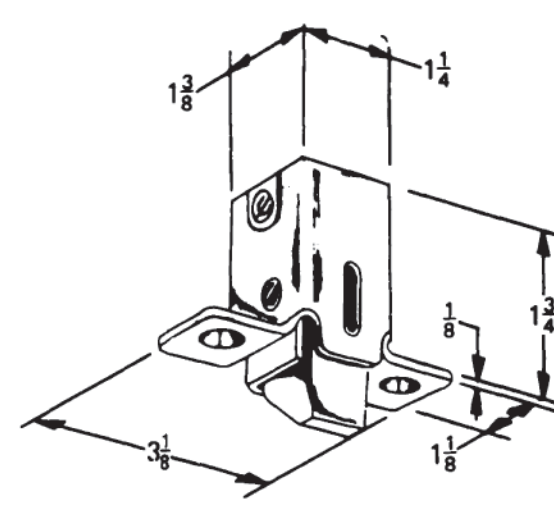
FOR TRIM APPLICATION SEE DIRECTIONS IN TRIM CARTON IF REQUIRED



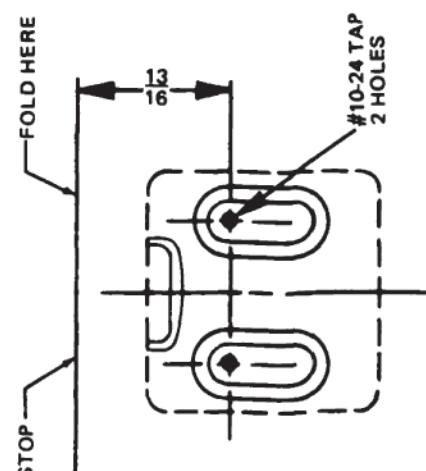
BOTTOM ROD GUIDE



LATCH BOLT RELEASE

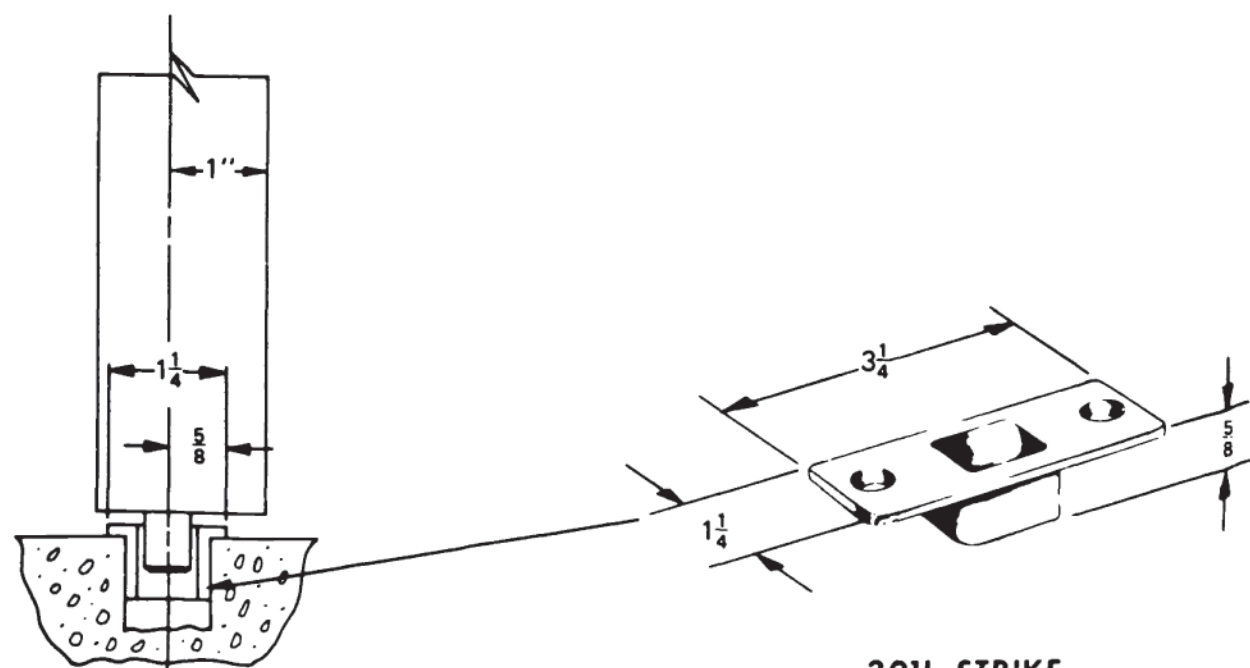


SOFFIT LATCH BOLT ASSEMBLY



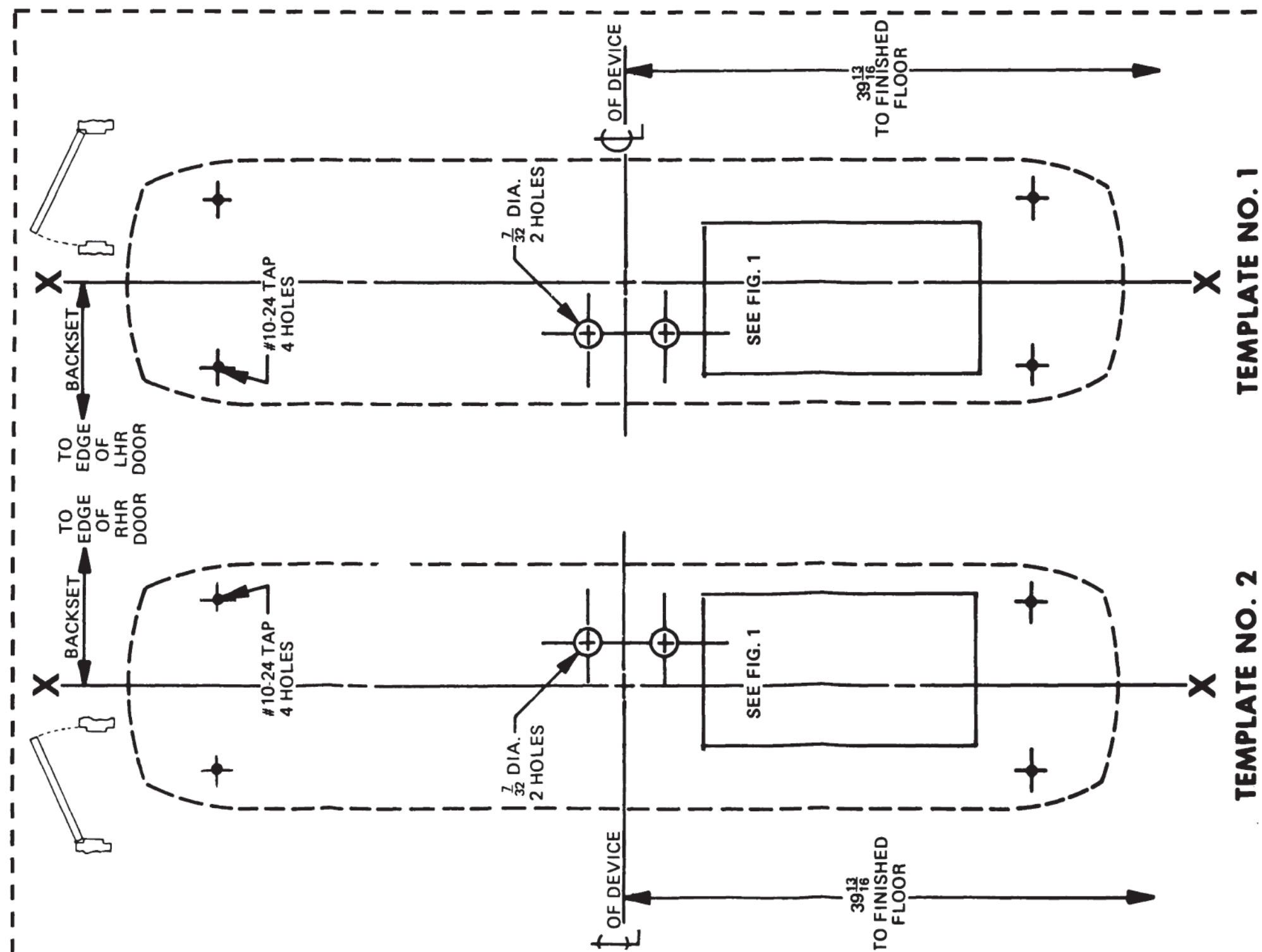
TEMPLATE NO. 3

PLUNGER RELEASE BRACKET



FLAT SILL APPLICATION

SOFFIT STRIKE



TEMPLATE NO. 1

TEMPLATE NO. 2