

**INSTALLATION DIRECTIONS**

**BEFORE APPLYING THIS DEVICE**

- A. Threshold (if any) must be installed.
- B. Doors must be fitted and hung.
- C. Check that handing of hardware corresponds to handing of door.
- D. Apply Astragal (if any). See template No. 40106 for applying Astragal.

**1. PREPARE DOOR**

- A. Tape template No. 1 to inside face of lock stile. Be sure centerline "X-X" of template is parallel to edge of door and backset is as shown in schedule. Be sure centerline of device is 39-13/16" to finished floor.
- B. Prepare door as shown. See Fig. 1 for wood door application and Fig. 2 for metal door application.

**2. APPLY OUTSIDE TRIM**

- A. See directions in trim carton. Line "X-X" on trim template corresponds to Line "X-X" on device template and is parallel to edge of door. Transfer Line "X-X" from inside face to outside face of door.
- B. Prepare outside face of lock stile.

**3. INSTALL LEVER ARMS**

- A. Insert lever arms into lock stile and hinge stile cases.
- B. Assemble axles and tighten securely. (See instructions in axle envelope.)

**4. APPLY LOCK STILE CASE**

- A. Remove key from cylinder.
- B. Position cylinder cam as shown in Fig. 8.
- C. Attach lock stile case to door. (See Fig. 1 or Fig. 2)
- D. Test key and thumbpiece action.

**5. APPLY LOCK STILE CASE AND CROSSBAR TUBE (FIG. 7)**

- A. Dog lever arms in depressed position.
- B. Slip crossbar tube on lock stile and hinge stile lever arms. (See Direction No. 941009 for cutting crossbar, if necessary.)
- C. Be sure crossbar is level and hinge stile case is parallel to edge of door and approximately on centerline of exposed stile.
- D. Using holes in hinge stile case, mark location and prepare door for attaching screws.
- E. Apply hinge stile case with crossbar in place.
- F. Tighten wedge-tite set screws securely with dog key and screwdriver or equivalent for leverage, and test crossbar for free action. (See Direction No. 941009 for these instructions.)

**6. APPLY TOP LATCH CASE AND STRIKE**

- A. Close door against stop.
- B. Tape template No. 2, 3, or 4 to door and surface indicated on template.
- C. Prepare door and soffit for latch case and strike and apply.

**7. APPLY TOP ROD**

- A. Block door in open position.
- B. Check rod for correct length. See instruction sheet 0835 for cutting 88 vertical rods.
- C. Drive in top rod connector.
- D. Attach top rod with rod guide, see Fig. 3. Adjust rod length so connector fits as shown. (Fig. 4 and 5.)

**NOTE**

BE SURE LATCH BOLT IS RETRACTED AND CROSSBAR IS DOGGED

**NOTE**

- E. Test for latch bolt engagement in strike. For less bottom rod applications, omit steps 8 and 9.

**8. APPLY BOTTOM LATCH CASE & STRIKE**

- A. Close door so top bolt engages.
- B. Tape template No. 5, 6, or 7 to door and surface indicated on template.
- C. Prepare door and floor or threshold for latch case and strike and apply.

**9. APPLY BOTTOM ROD**

- A. Block door in open position.
- B. Retract bottom latch bolt.
- C. Adjust rod so rod connector fits as shown. (Fig. 6.)

**NOTE**

- 1. DO NOT CUT BOTTOM ROD.
- 2. BE SURE LATCH BOLT IS RETRACTED AND CROSSBAR IS DOGGED.

**10. TEST DEVICE FOR FREE ACTION AND COMPLETE LATCH BOLT RETRACTION WHEN CROSSBAR IS DEPRESSED. IF LATCH BOLTS DO NOT RETRACT COMPLETELY, READJUST.**

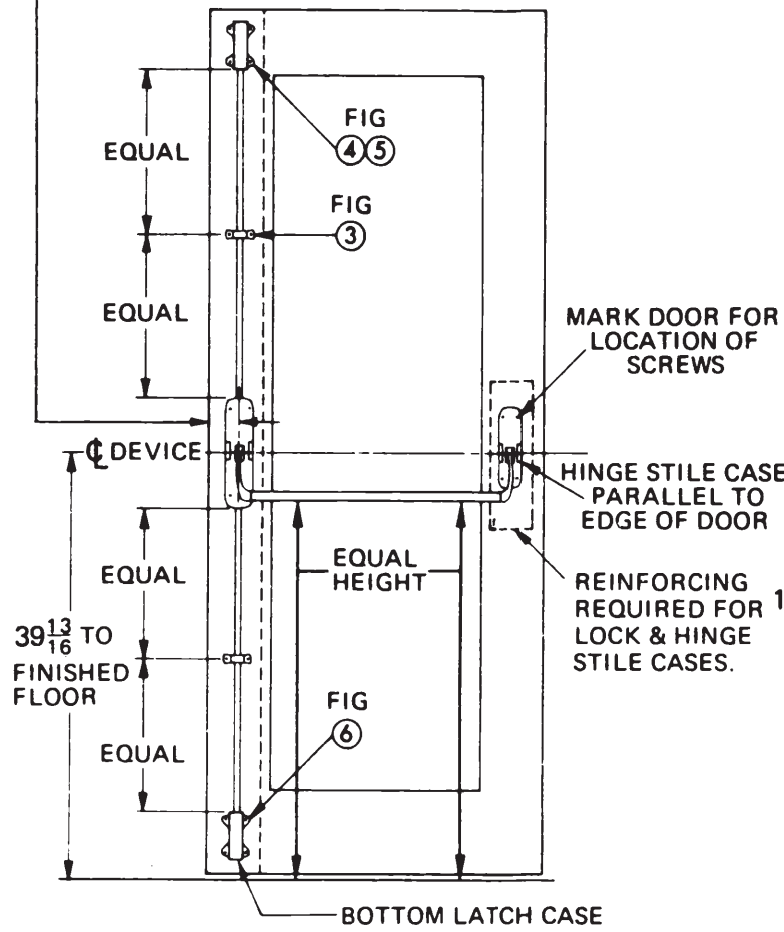
- D. Test door for top and bottom latch engagement.

**11. APPLY TOP AND BOTTOM LATCH CASE COVERS.**

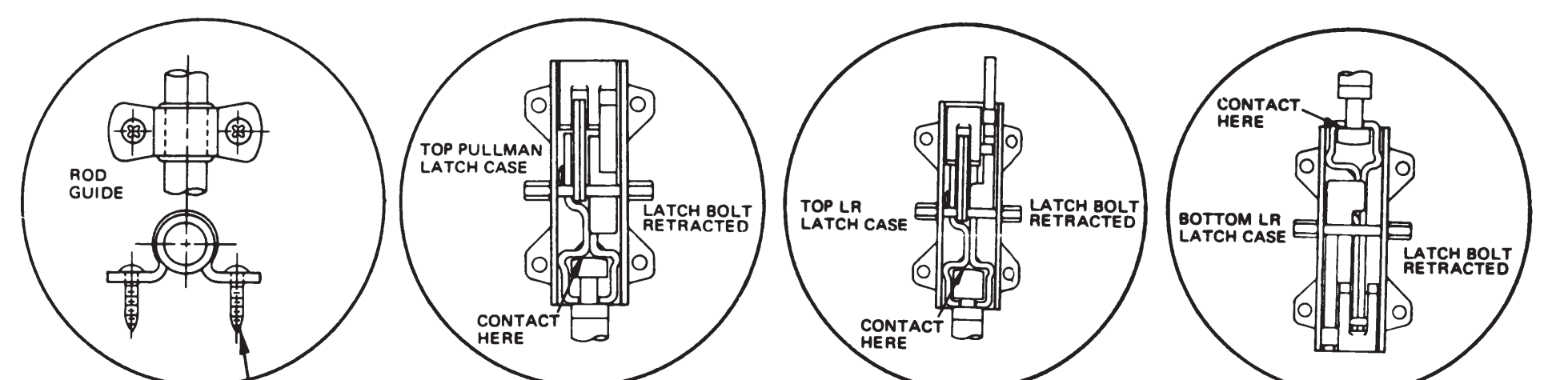
Tip of cylinder cam to be in this position. Be sure key is removed from cylinder.

**FIG. 8**

DEVICE BACKSET SCHEDULE		
INSTALLATION	PANELED DOOR	FLUSH DOOR
TWO VERT. ROD DEVICES	1/2 OF STILE	2-1/2"
VERT. ROD & MORT. DEVICE	2-3/4"	2-3/4"
SINGLE DOOR	1/2 OF STILE	2-3/4"
VERT. ROD & RIM DEVICE REQUIRES 1609J STRIKE	3"	3"
WHEN COORDINATOR IS USED BACKSET OF VERTICAL ROD DEVICE MUST BE	3"	3"



**FIG. 7**



**FIG. 3**

**FIG. 4**

**FIG. 5**

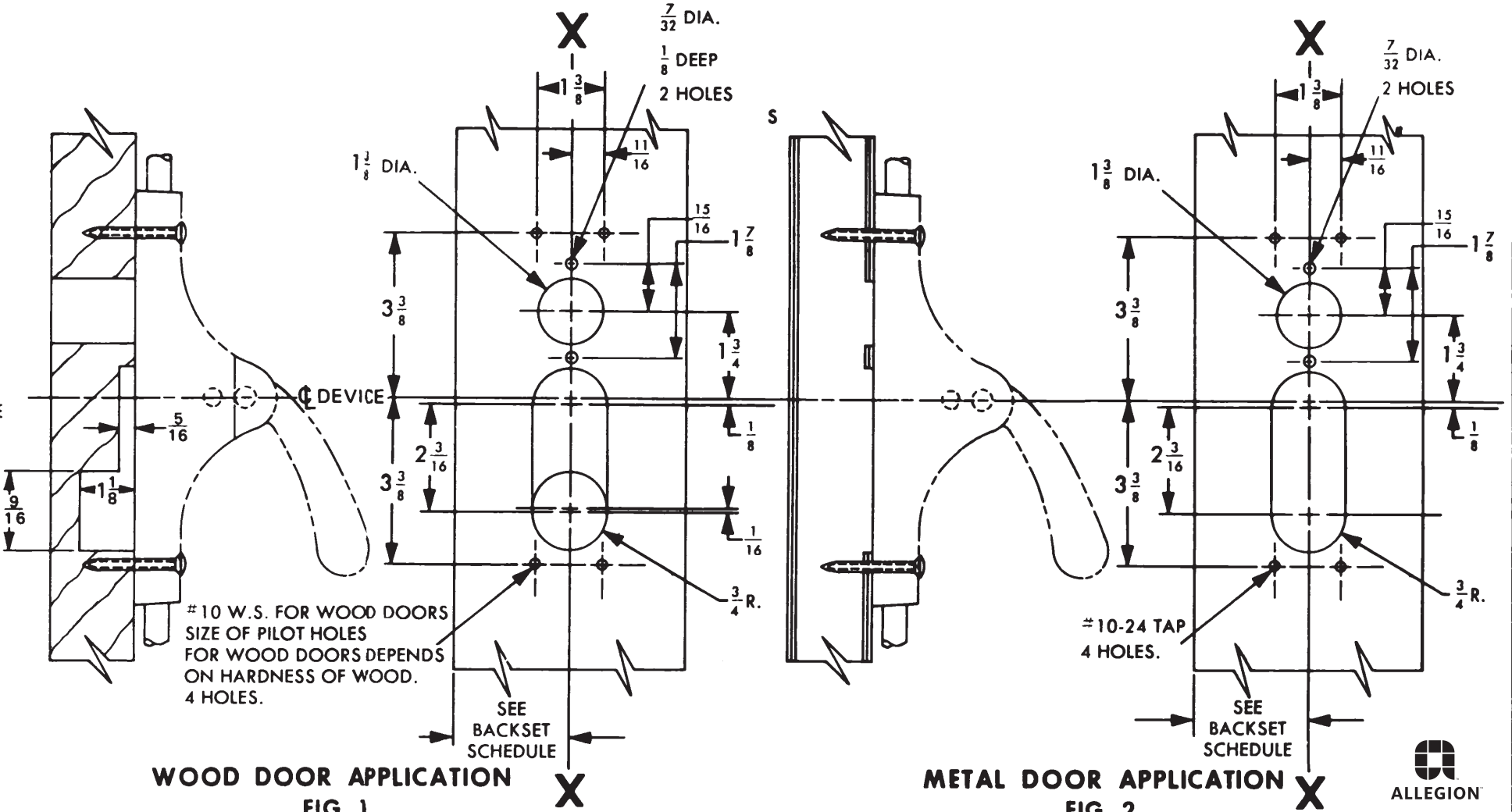
**FIG. 6**

NOTE: DO NOT CUT BOTTOM ROD.

Customer Service  
1-877-671-7011 www.allegion.com/us



911161-00



**WOOD DOOR APPLICATION**

**FIG. 1**

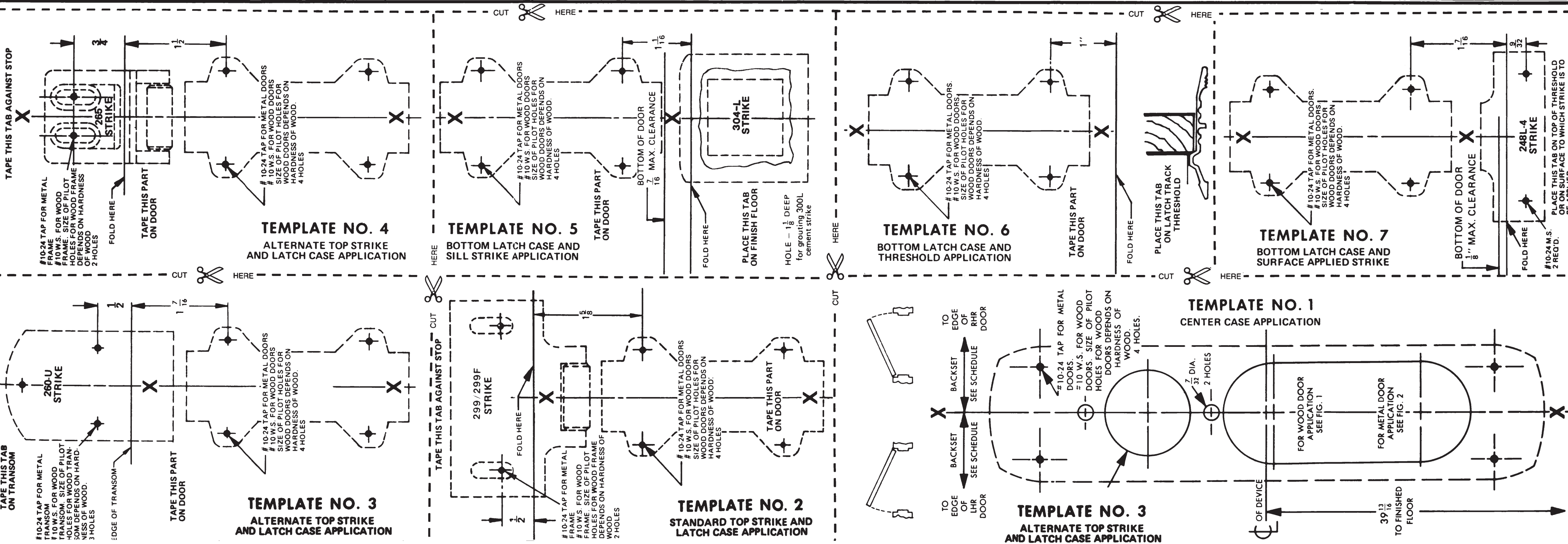
**METAL DOOR APPLICATION**

**FIG. 2**

FOR TRIM APPLICATION SEE DIRECTIONS IN TRIM CARTON

DESCRIPTION	DIRECTION NUMBER	DATE
8827TP & 8827TP-NL SERIES VERTICAL ROD DEVICES	911161-00 (b)	06/14

**VON DUPRIN**



**TEMPLATE NO. 4**  
ALTERNATE TOP STRIKE AND LATCH CASE APPLICATION

**TEMPLATE NO. 5**  
BOTTOM LATCH CASE AND SILL STRIKE APPLICATION

**TEMPLATE NO. 6**  
BOTTOM LATCH CASE AND THRESHOLD APPLICATION

**TEMPLATE NO. 7**  
BOTTOM LATCH CASE AND SURFACE APPLIED STRIKE

**TEMPLATE NO. 3**  
ALTERNATE TOP STRIKE AND LATCH CASE APPLICATION

**TEMPLATE NO. 2**  
STANDARD TOP STRIKE AND LATCH CASE APPLICATION

**TEMPLATE NO. 3**  
ALTERNATE TOP STRIKE AND LATCH CASE APPLICATION

**TEMPLATE NO. 1**  
CENTER CASE APPLICATION



921260-00

Trim

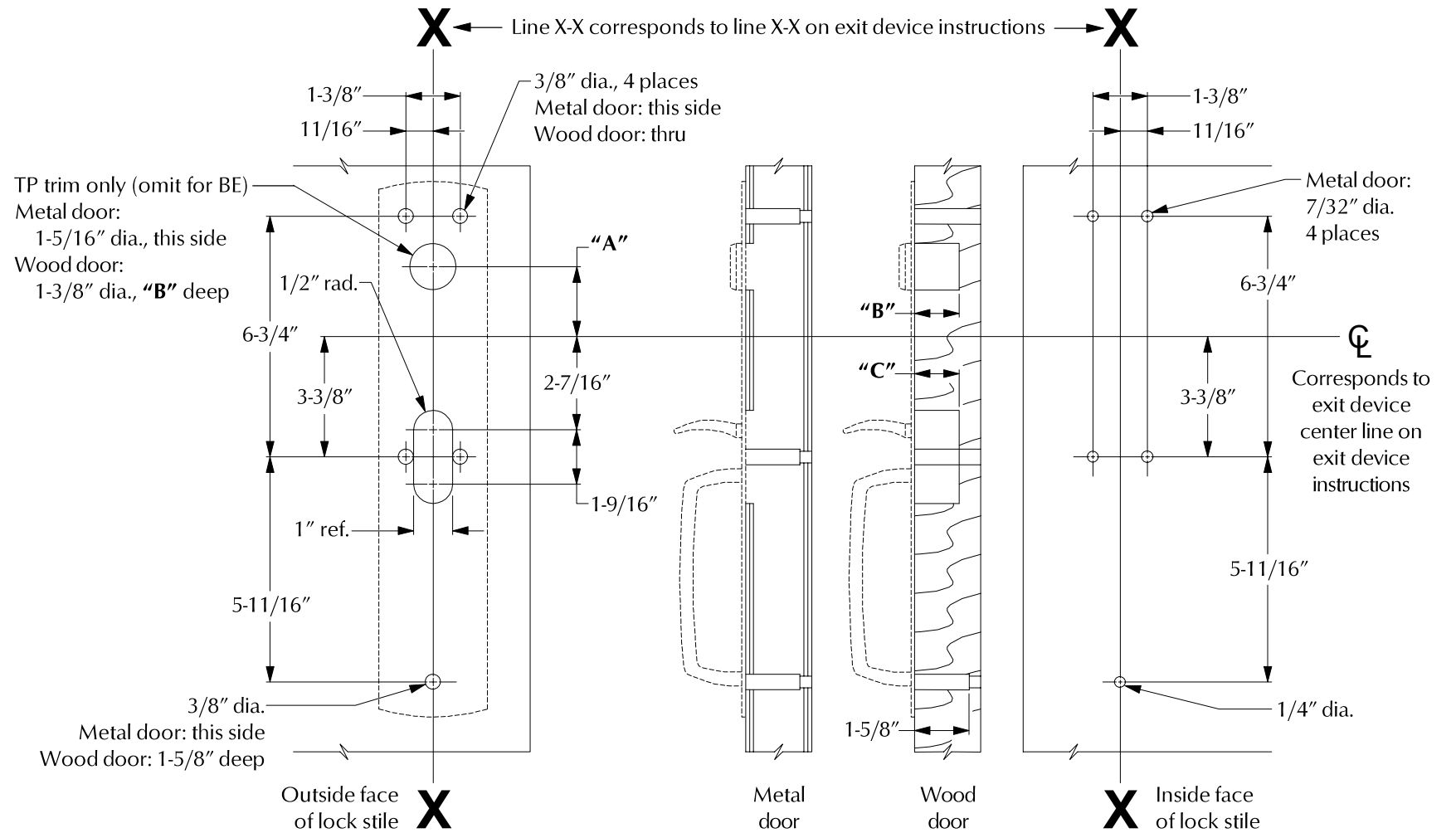
# 880TP/TP-BE

# VON DUPRIN®

Installation Instructions

1. Prepare door for exit device. See exit device instructions for holes, line X-X, and center lines.
2. Prepare door for trim:
  - A. Transfer line X-X from inside (exit device side) of door to outside (trim side) of door. Use extra care if edge of door is beveled.
  - B. Locate and prepare all holes as shown.
3. For TP trim with 8827 Vertical Rod Device, install cylinder in trim.
4. Apply trim.
5. Apply exit device.

Device Application Schedule			
Device	"A"	"B"	"C"
8827 Vertical Rod	1-3/4"	thru	slot thru to device cutout
8875 Mortise Lock	2"	3/4"	slot thru to mortise lock cavity



LHR shown, RHR opposite  
For cutouts on inside face of door, see exit device instructions

**Customer Service**  
1-877-671-7011 [www.allegion.com/us](http://www.allegion.com/us)



© Allegion 2014  
Printed in U.S.A.  
921260-00 Rev. 01/14-b