

# VON DUPRIN<sup>®</sup> INSTALLATION DIRECTIONS

## BEFORE APPLYING THIS DEVICE

- Threshold (if any) must be installed.
- Doors must be fitted and hung.
- Check that handing of hardware corresponds to handing of door.
- Apply Astragal (if any). See template No. 40108 for applying Astragal.

## 1. PREPARE DOOR

- Tape template No. 1 to inside face of lock stile. Be sure centerline "X-X" of template is parallel to edge of door and backset is as shown in schedule. Be sure centerline of device is 39-13/16" to finished floor.
- Prepare door as shown. See Fig. 1 for wood door application and Fig. 2 for metal door application.

## 2. APPLY OUTSIDE TRIM FOR DT APPLI-CATION ONLY

- See directions in trim carton if required. Line "X-X" on trim template corresponds to Line "X-X" on device template and is parallel to edge of door. Transfer Line "X-X" from inside face to outside face of door.
- Prepare outside face of lock stile.

## 3. INSTALL LEVER ARMS

- Insert lever arms into lock stile and hinge stile cases.
- Assemble axles and tighten securely. (See instructions in axle envelope.)

## 4. APPLY LOCK STILE CASE

- Attach lock stile to door. See Fig. 1 or 2.

## 5. APPLY HINGE STILE CASE AND CROSS-BAR TUBE (FIG. 7)

- Dog lever arms in depressed position.
- Slip crossbar tube on lock stile and hinge stile lever arms. (See Direction Sheet 41009 for cutting crossbar.)
- Be sure crossbar is level and hinge stile case is parallel to edge of door and approximately on centerline of exposed stile.
- Using holes in hinge stile case, mark location and prepare door for attaching screws.
- Apply hinge stile case with crossbar in place.
- Tighten wedge-tite set screws securely with dog key and screwdriver or equivalent for leverage, and test crossbar for free action. (See Direction Sheet 41009 for these instructions.)

## 6. APPLY TOP LATCH CASE AND STRIKE

- Close door against stop.
- Tape template No. 2, 3, or 4 to door and surface indicated on template.
- Prepare door and soffit for latch case and strike and apply.

## 7. APPLY TOP ROD

- Block door in open position.
- Check rod for correct length. See Direction Sheet 41028 for cutting 88 vertical rods.
- Drive in top rod connector.
- Attach top rod with rod guide, see Fig. 3. Adjust rod length so connector fits as shown. (Fig. 4 and 5.)

NOTE

BE SURE LATCH BOLT IS RETRACTED AND CROSSBAR IS DOGGED

## 8. APPLY BOTTOM LATCH CASE & STRIKE

- Close door so top bolt engages.
- Tape template No. 5, 6, or 7 to door and surface indicated on template.
- Prepare door and floor or threshold for latch case and strike and apply.

## 9. APPLY BOTTOM ROD

- Block door in open position.
- Retract bottom latch bolt.
- Adjust rod so rod connector fits as shown. (Fig. 6.)

NOTES

(1) DO NOT CUT BOTTOM ROD.  
(2) BE SURE LATCH BOLT IS RETRACTED AND CROSSBAR IS DOGGED.

- Test door for top and bottom latch engagement.
- TEST DEVICE FOR FREE ACTION AND COMPLETE LATCH BOLT RETRACTION WHEN CROSSBAR IS DEPRESSED. IF LATCH BOLTS DO NOT RETRACT COMPLETELY, READJUST.
- APPLY TOP AND BOTTOM LATCH CASE COVERS.

DEVICE BACKSET SCHEDULE		
INSTALLATION	PANELED DOOR	FLUSH DOOR
TWO VERT. ROD DEVICES	1/2 OF STILE	2-1/2"
VERT. ROD & MORT. DEVICE	2-3/4"	2-3/4"
SINGLE DOOR	1/2 OF STILE	2-3/4"
VERT. ROD & RIM DEVICE REQUIRES 1809J STRIKE	3"	3"
WHEN COORDINATOR IS USED BACKSET OF VERTICAL ROD DEVICE MUST BE	3"	3"

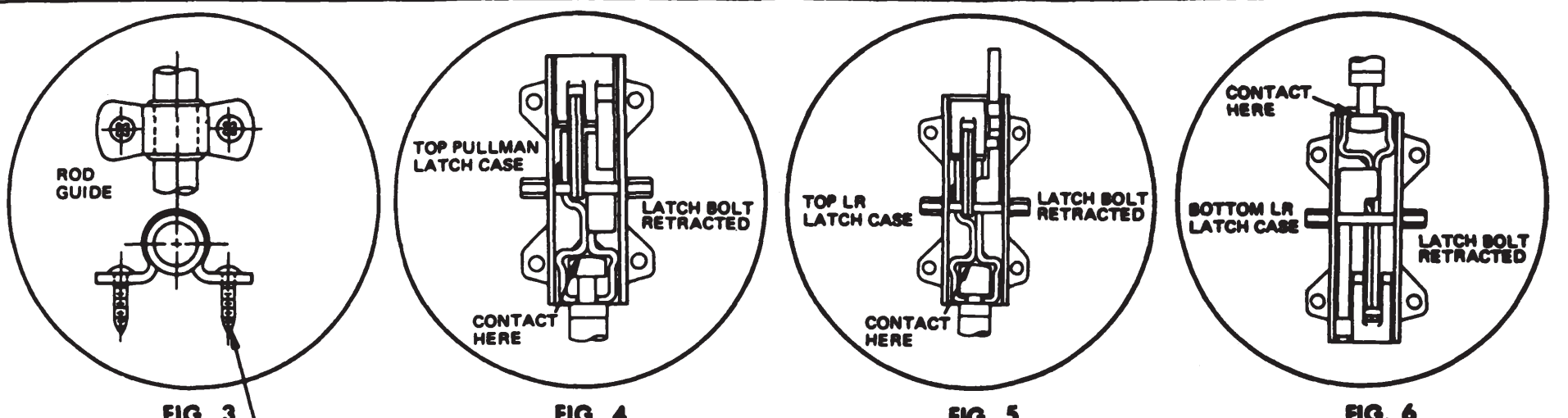


FIG. 3 FIG. 4 FIG. 5 FIG. 6 NOTE: DO NOT CUT BOTTOM ROD

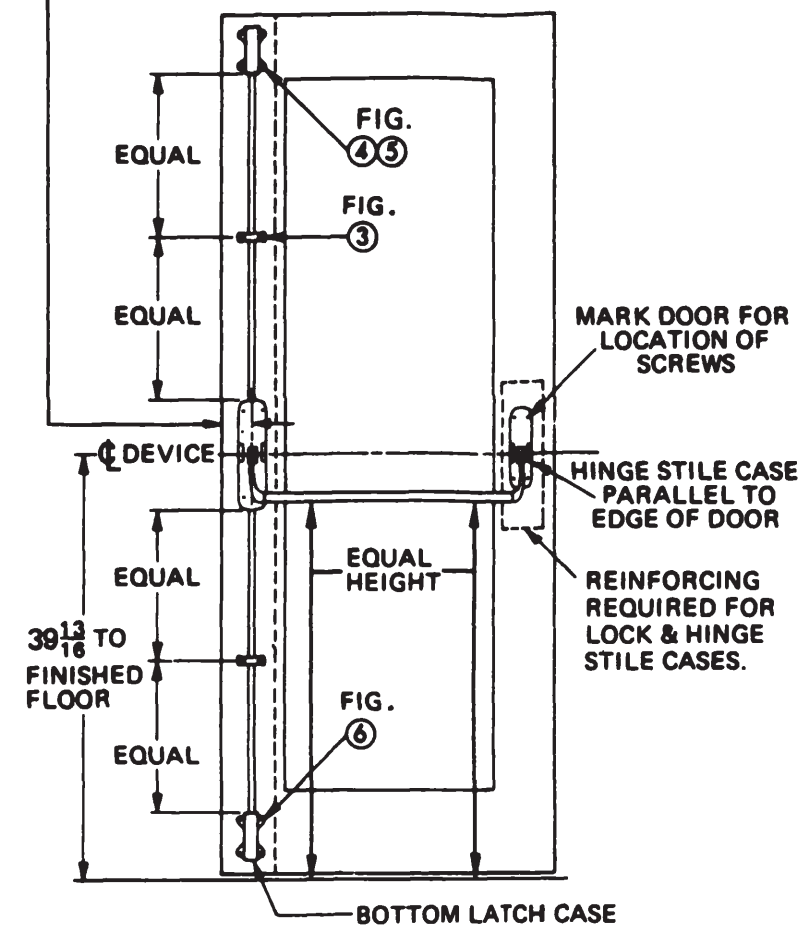
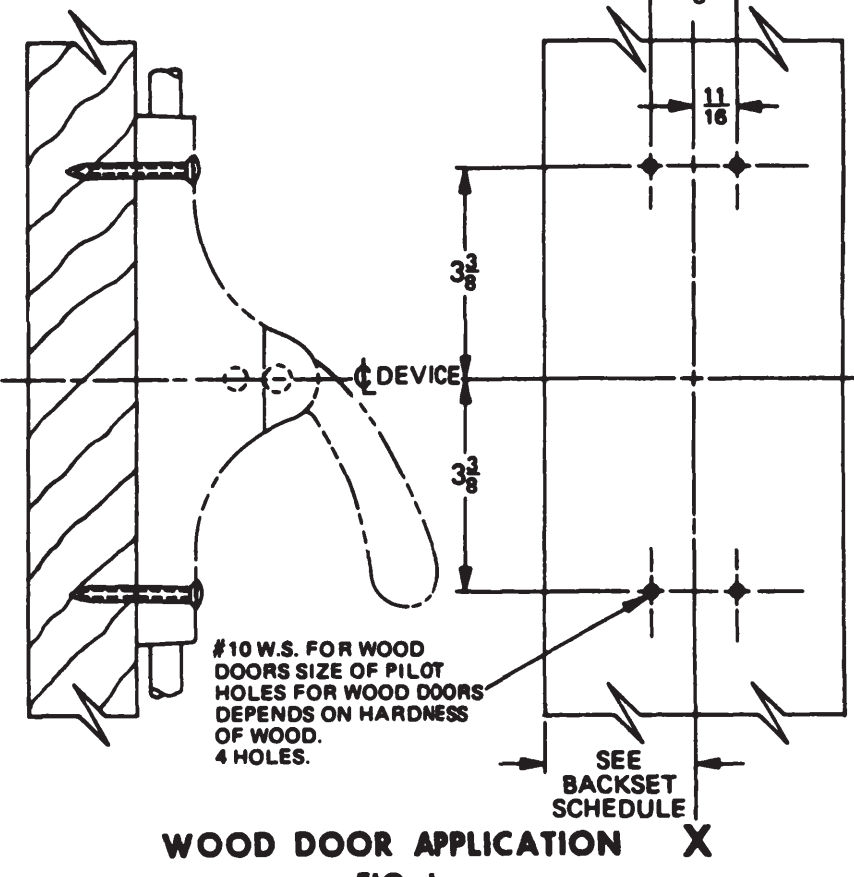
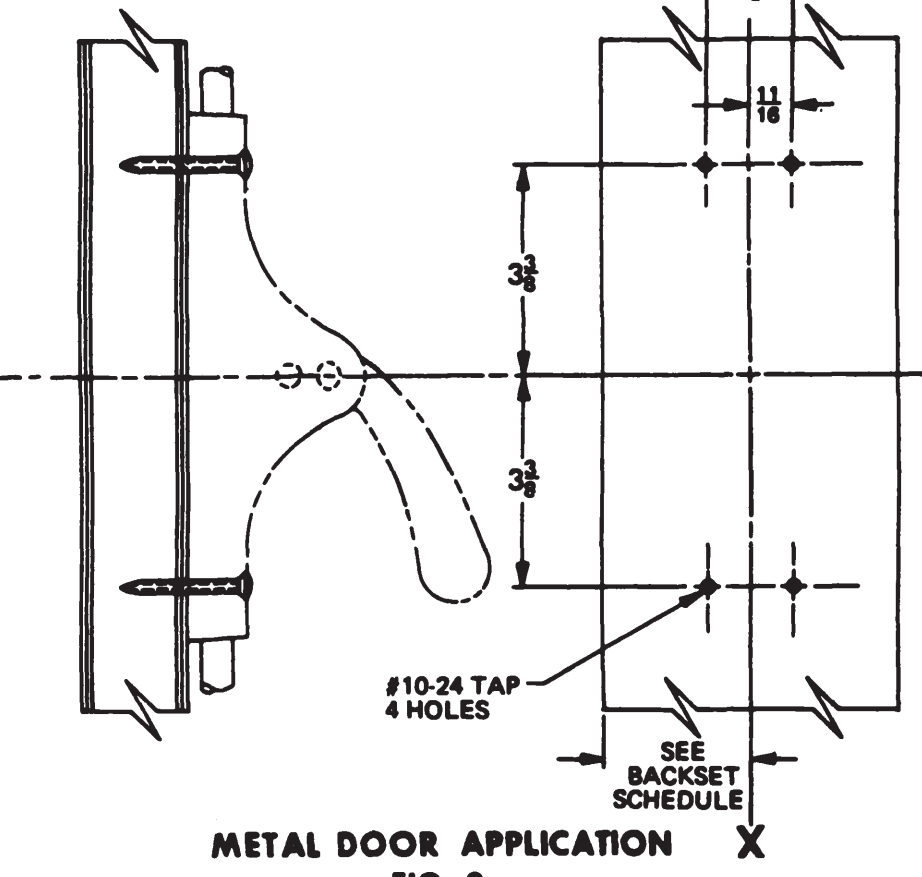


FIG. 7



WOOD DOOR APPLICATION FIG. 1



METAL DOOR APPLICATION FIG. 2



911160-00

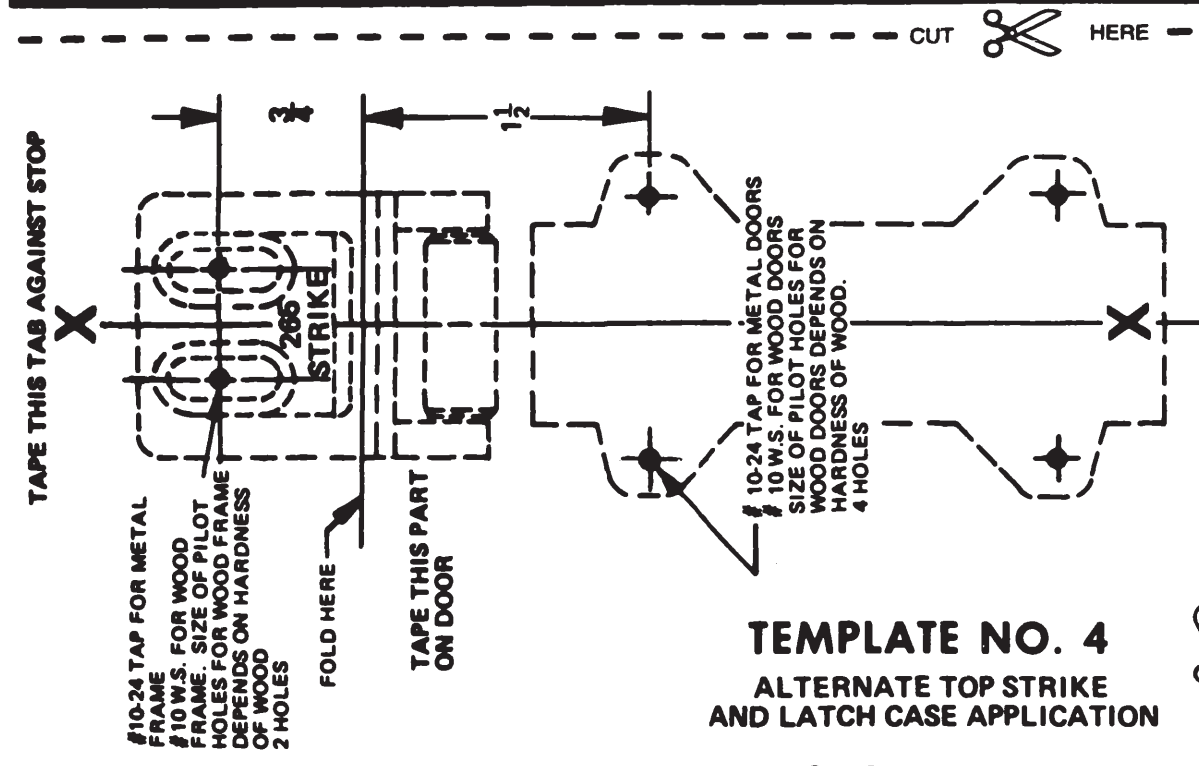


Customer Service  
1-877-671-7011 www.allegion.com/us

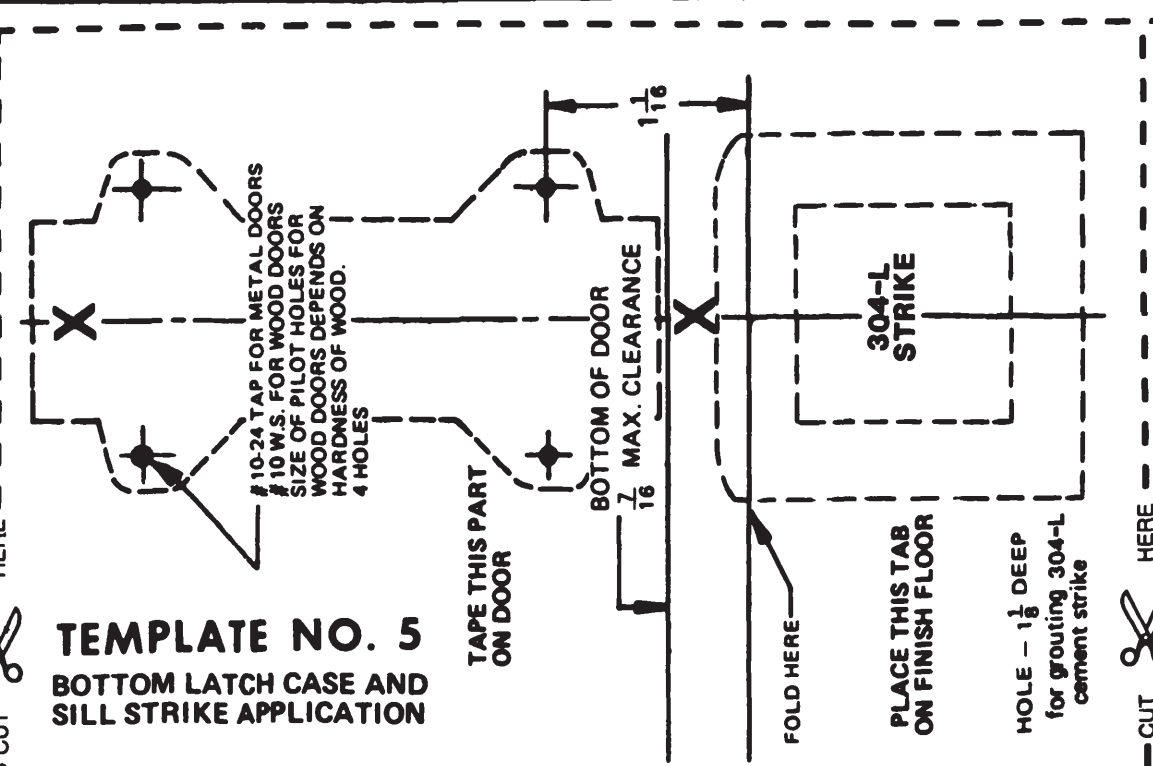
DESCRIPTION  
8827EO, 8827DT & 8827T  
SERIES VERTICAL ROD DEVICES

DIRECTION NUMBER 911160-00(b) DATE Rev. 01/14

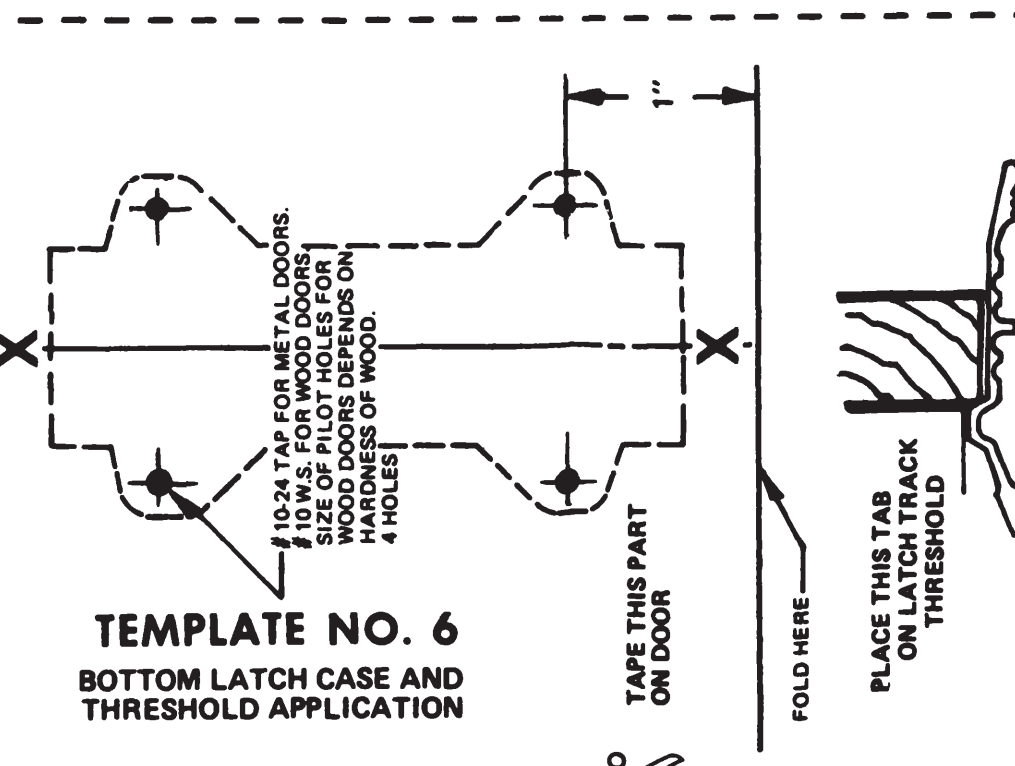
FOR TRIM APPLICATION SEE DIRECTIONS IN TRIM CARTON IF REQUIRED



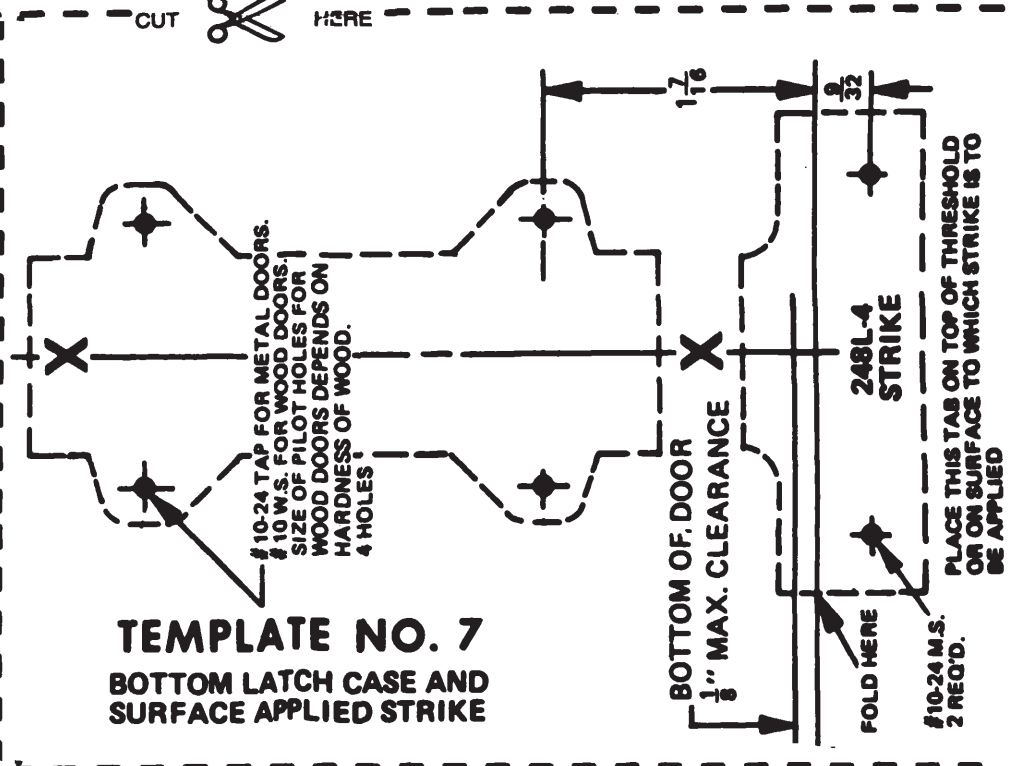
TEMPLATE NO. 4  
ALTERNATE TOP STRIKE  
AND LATCH CASE APPLICATION



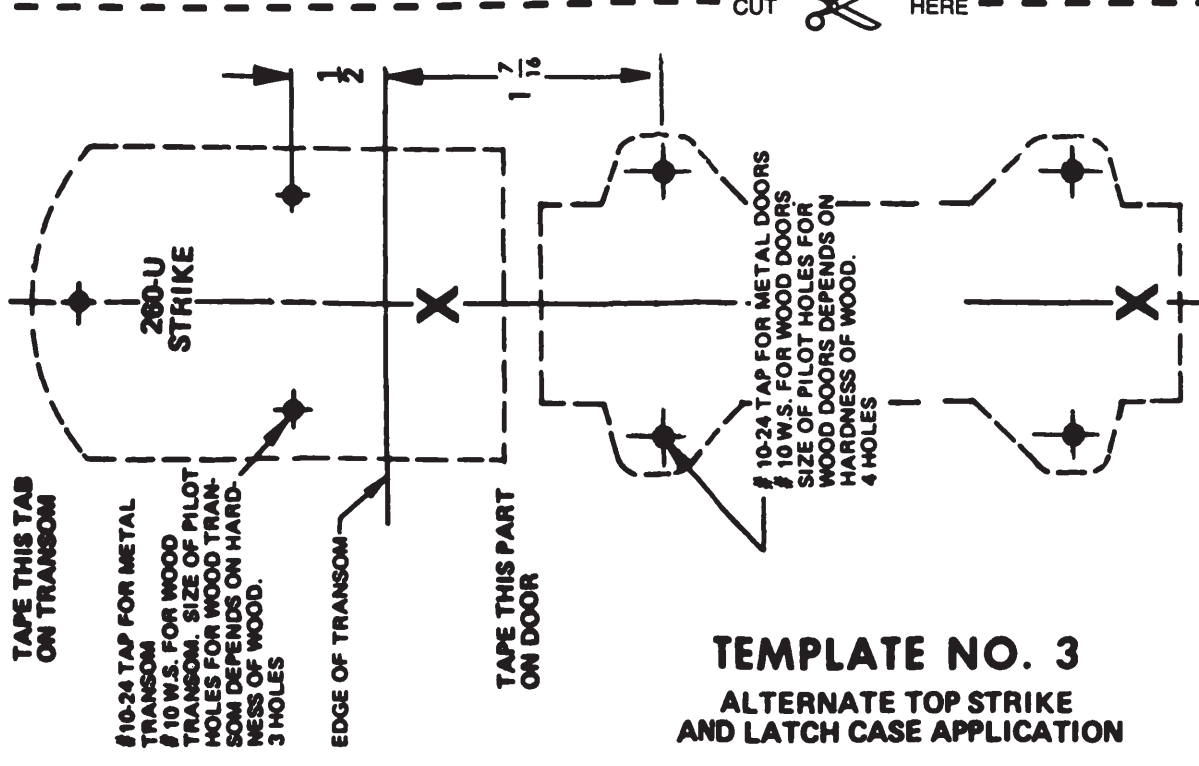
TEMPLATE NO. 5  
BOTTOM LATCH CASE AND  
SILL STRIKE APPLICATION



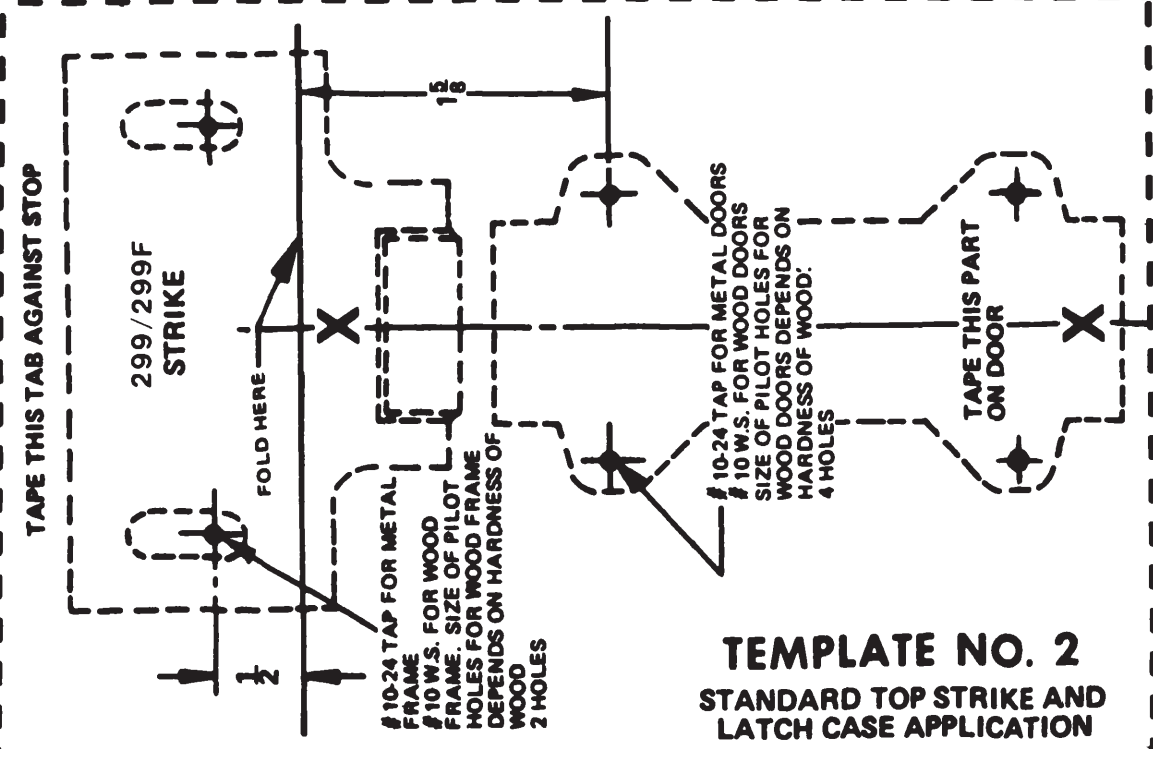
TEMPLATE NO. 6  
BOTTOM LATCH CASE AND  
THRESHOLD APPLICATION



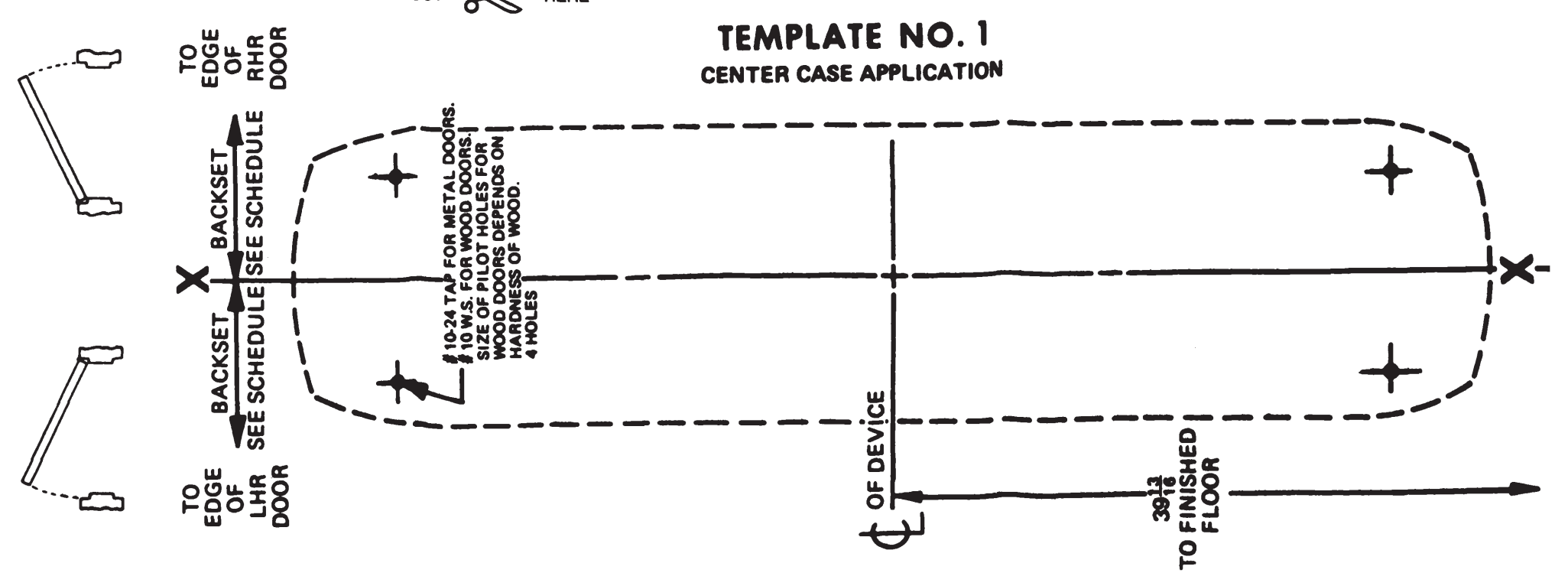
TEMPLATE NO. 7  
BOTTOM LATCH CASE AND  
SURFACE APPLIED STRIKE



TEMPLATE NO. 3  
ALTERNATE TOP STRIKE  
AND LATCH CASE APPLICATION



TEMPLATE NO. 2  
STANDARD TOP STRIKE AND  
LATCH CASE APPLICATION



TEMPLATE NO. 1  
CENTER CASE APPLICATION