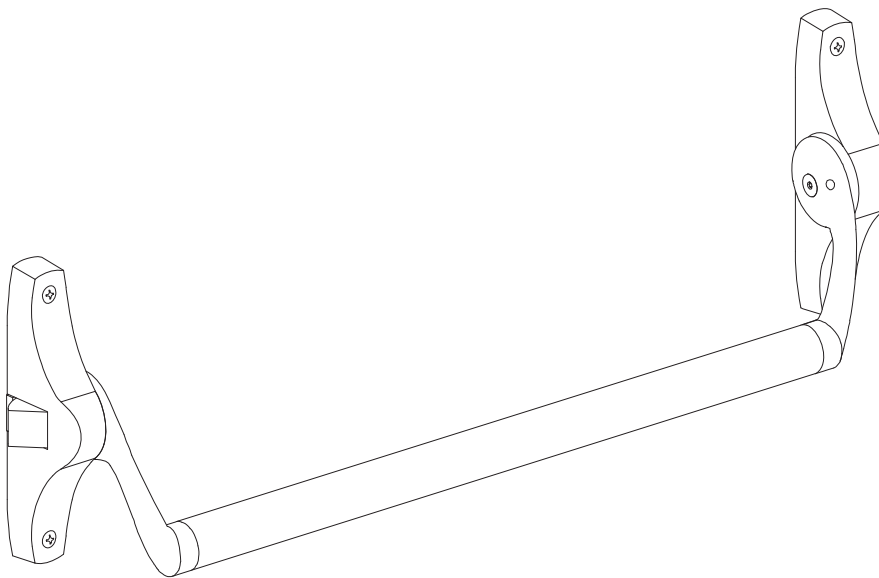


VON DUPRIN®

55 Series Exit Devices

Service manual



INDEX

General Information

Introduction	2
How to Order	2
Part Number Changes	2
55 Series Finishes	3
Outside Trim Functions	3
Strikes	4

55 Series Device Parts

Crossbars	5
Lever Arm Kits	6
Lever Arm Parts Packages	7
End Case Kit and End Case Parts	8
Center Case Kits	9
Center Case Parts: 55 Rim Device	10
Center Case Parts: 5547 Device	11
Center Case Parts: 5547-F, 5547WDC, 5575, 5575-F Devices	12
Vertical Latches	13
Vertical Rods: 5547 Device	14-15
Vertical Rods: 5547-F Device	14-15
Vertical Rods: 5547WDC Device	16

INTRODUCTION

This manual contains a listing of replaceable parts and assemblies for the 55 Series Panic and FEH Devices.

HOW TO ORDER

Some parts are sold separately. Other items are available as part of a kit or multiple quantity package. For the best possible service when ordering replacement parts or assemblies, please provide the following information:

- Part number or assembly number
- Description
- Quantity needed
- Finish desired (if available finished)
- Date of original purchase (if known)

To find out the name of your local Von Duprin distributor or sales representative, contact:

Von Duprin Division
Allegion
2720 Tobey Drive
Indianapolis, IN 46219
Phone: (877) 671-7011

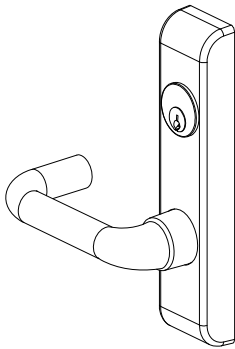
PART NUMBER AND AVAILABILITY CHANGES

This manual was designed to help illustrate the replacement parts and kits that are available for sale. Because of changes to the product and/or manufacturing process, part numbers and availability can change over time.

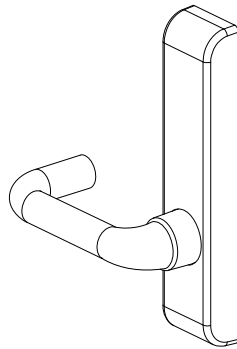
55 SERIES FINISHES

US Number	BHMA Number	Color
US3	605	Brass, polished
US4	606	Brass, dull
US10B	613	Brass, dull (oxidized)
US26	625	Chrome, polished
US26D	626	Chrome, dull
US10	612	Bronze, dull
SPBLK	693	Gloss black powder

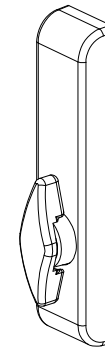
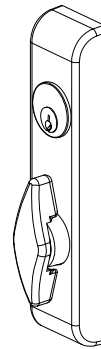
OUTSIDE TRIM FUNCTIONS



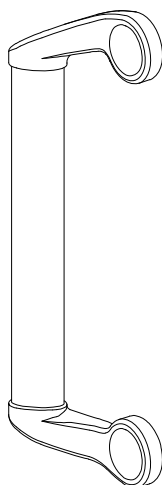
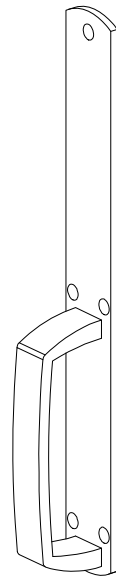
371L
for 5547-F



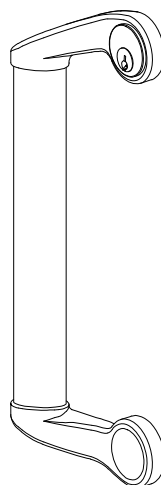
371L-BE
for 5547-F



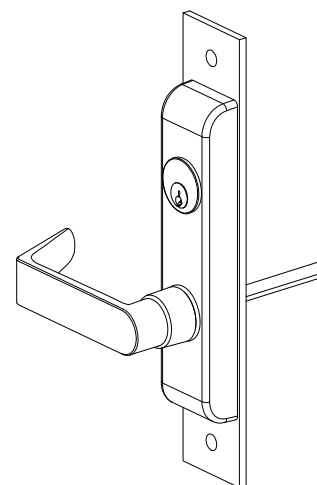
376T or 376T-BE x 609DT
for 5547, 5547-F



550DT
for 55 Rim, 5547, 5575

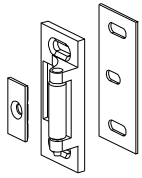


555NL/556NL
555 NL for 55 Rim, 5547, 5575, 5575-F
556NL for 5547WDC

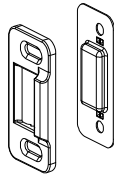


375L
for 5575, 5575-F

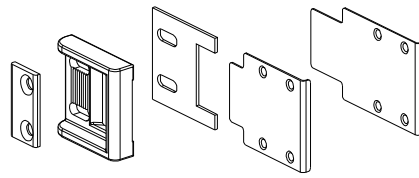
55 RIM STRIKES



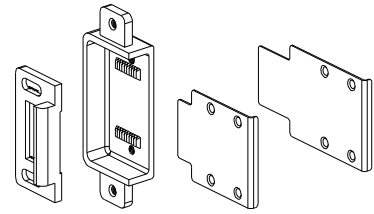
299
Single door;
double door
with mullion



1606
Single door;
double door
with mullion

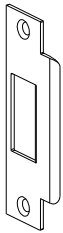


1409
Single door
(wear plates available for
1-3/4" and 2-1/4" thick doors)



1410
Single door
(wear plates available for
1-3/4" and 2-1/4" thick doors)

5575/5575-F STRIKES

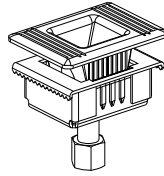


575
single door

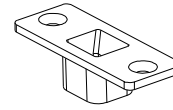


575-2
double door

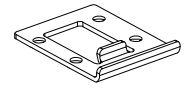
5547-F STRIKES



385A
(bottom)

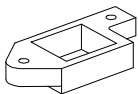


301L
(bottom)

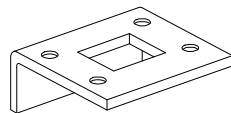


283 soffit
(top)

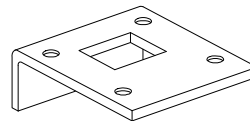
5547 STRIKES



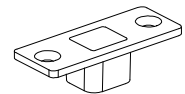
471U
(top)



472U
(1-3/4" thick doors; top)

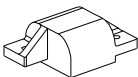


473U
(2-1/4" thick doors; top)

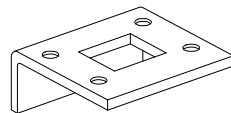


301L
(bottom)

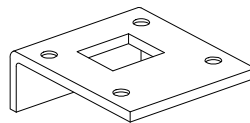
5547WDC/5547WDC-F STRIKES



338
(top)



472U
(1-3/4" thick doors; top)

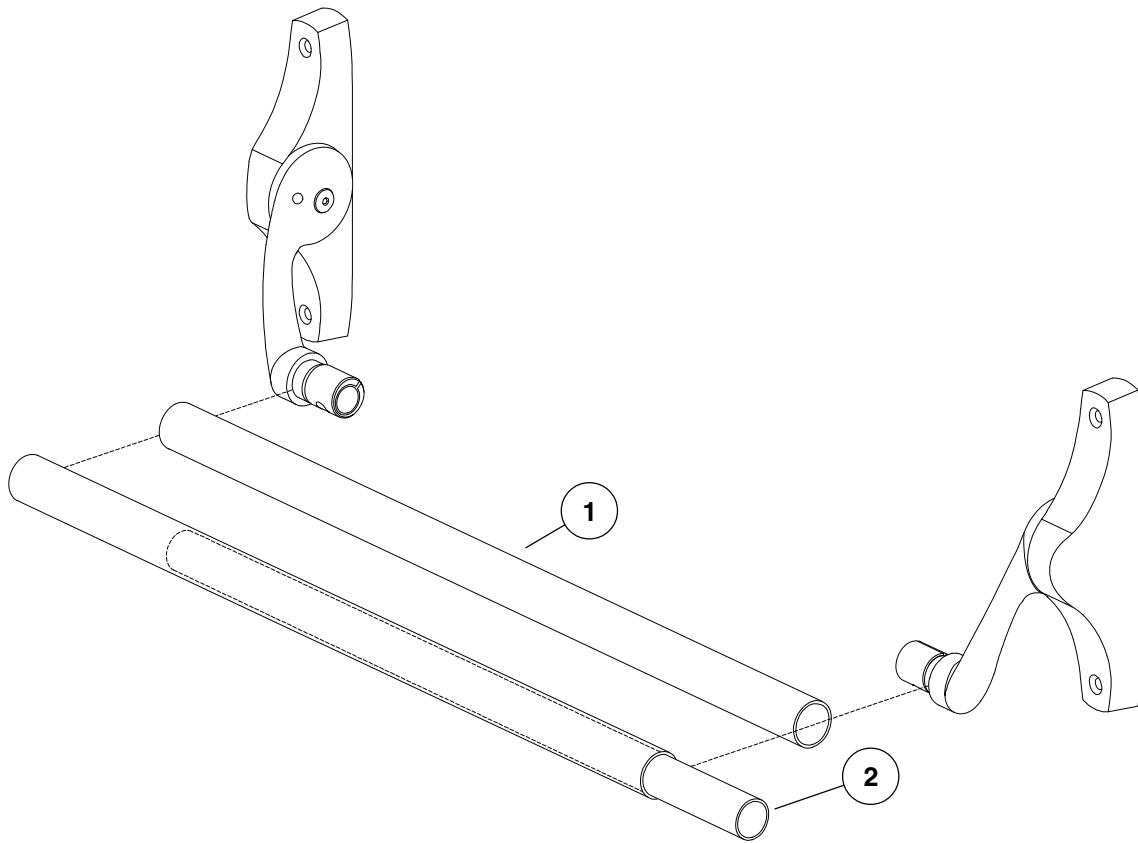


473U
(2-1/4" thick doors; top)

CROSSBARS

Item No.	Part No.	Description	Quantity	Finish
1	050004	42" Standard Crossbar Kit	1	X
1	050005	42" Knurled Crossbar Kit	1	X
2	050459	37" Crossbar Reinforcement Kit	1	

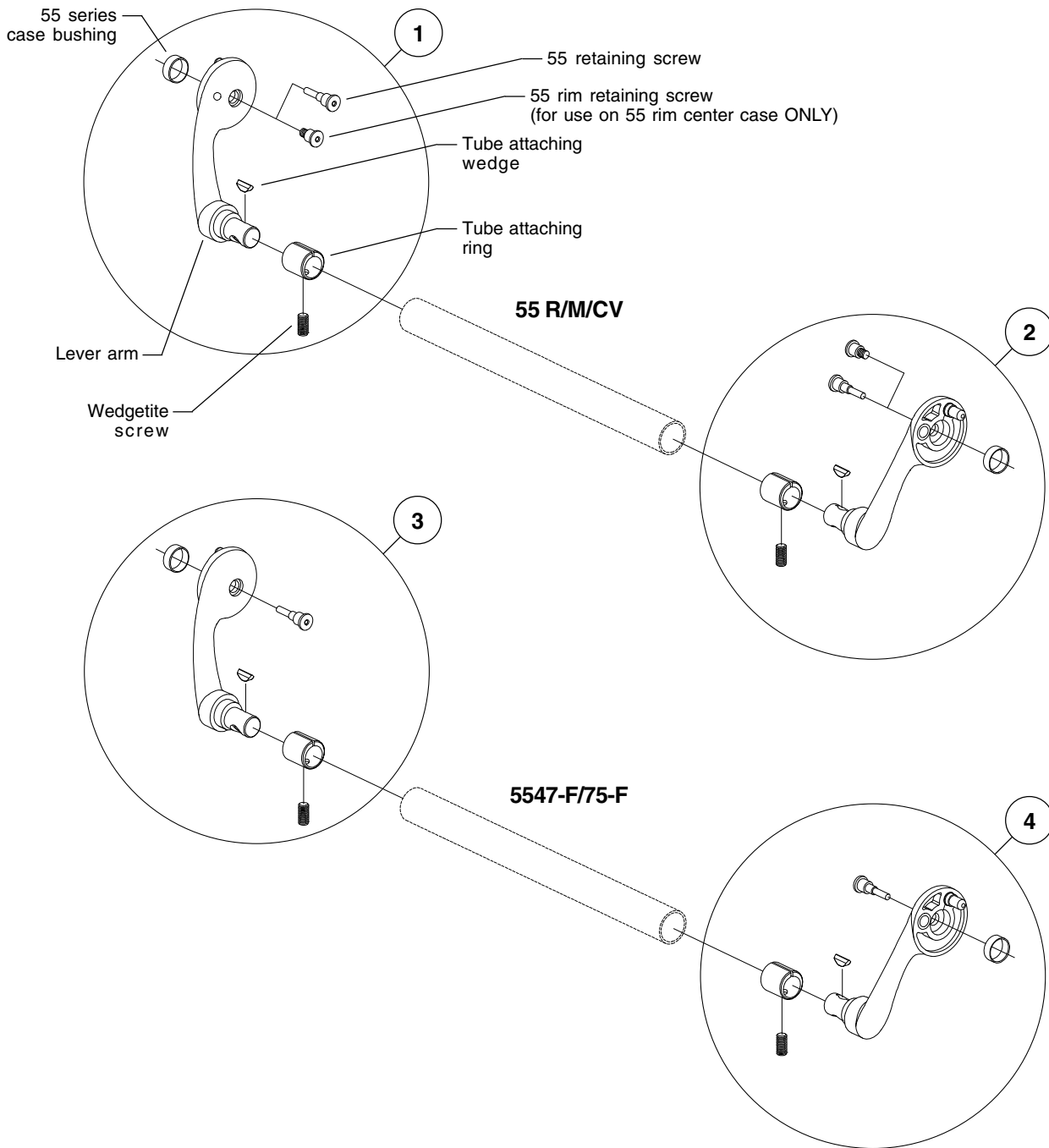
X in "Finish" column designates finished item; specify finish when ordering.



LEVER ARM KITS

Item No.	Part No.	Description	Quantity	Finish
1	050112	55 R/M/CV LH Lever Arm Kit	1	X
2	050136	55 R/M/CV RH Lever Arm Kit	1	X
3	050137	5547-F/75-F LH Lever Arm Kit	1	X
4	050139	5547-F/75-F RH Lever Arm Kit	1	X

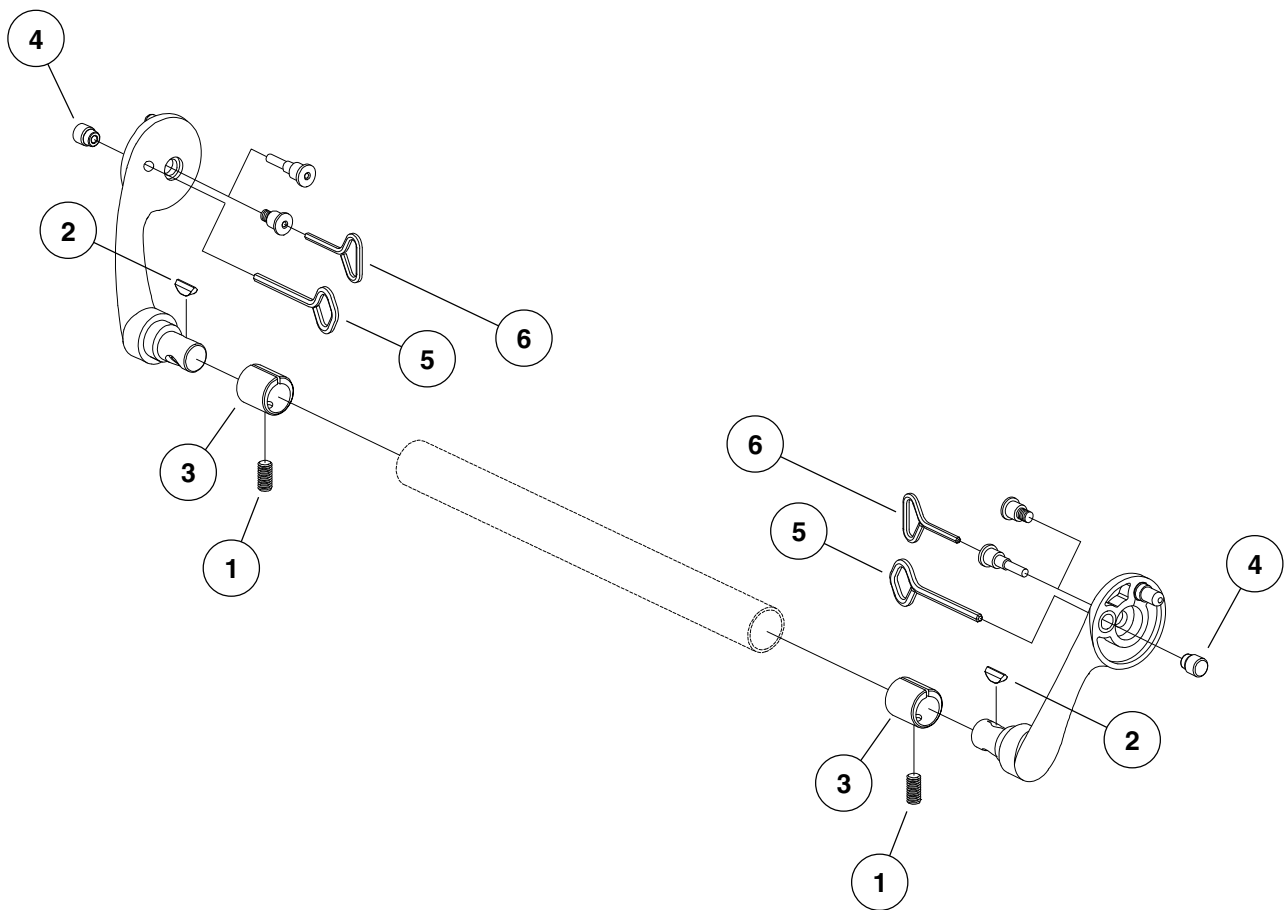
X in "Finish" column designates finished item; specify finish when ordering.



LEVER ARM PARTS PACKAGES

Item No.	Part No.	Description	Quantity	Finish
1	090008	Wedgetite Screw Pkg.	2	
1	090081	Wedgetite Screw Pkg.	30	
2	090020	Crossbar Tube Attaching Wedge Pkg.	2	
3	090021	Crossbar Tube Attaching Ring Pkg.	2	
4	090029	55 Dog Screw Pkg.	2	
4	090053	55 Dog Screw Pkg.	10	
5	090005	227 Dog Key 5/32" Pkg.	2	
5	090085	227 Dog Key 5/32" Pkg.	10	
6	103866	55 Series Special Hex Key (Reversing Pkg.)	1	

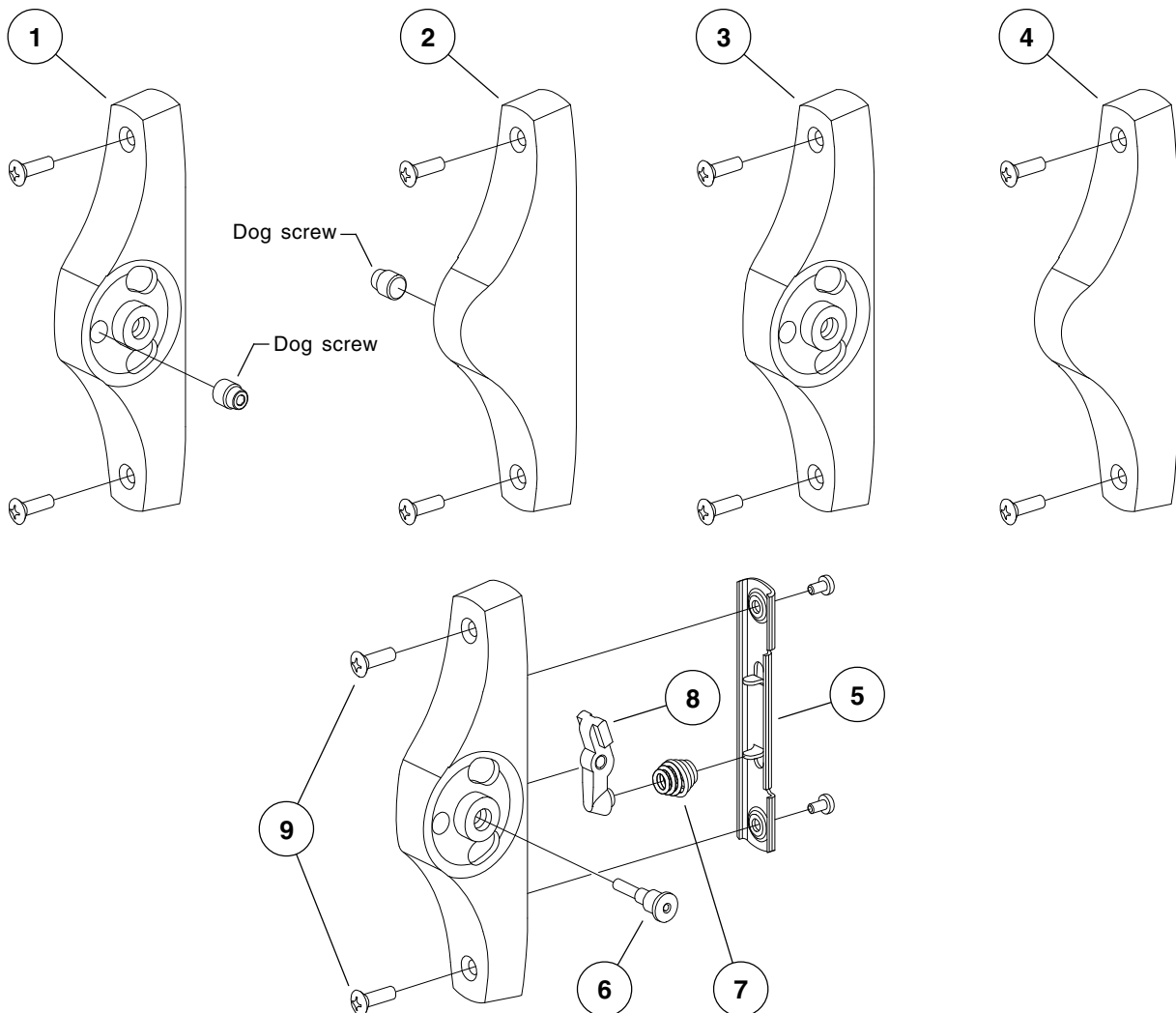
X in "Finish" column designates finished item; specify finish when ordering.



END CASE KITS AND END CASE PARTS

Item No.	Part No.	Description	Quantity	Finish
1	050196	55 Rim/5575/5547 RHR End Case Kit	1	X
2	050197	55 Rim/5575/5547 LHR End Case Kit	1	X
3	050198	5547-F/5575-F RHR End Case Kit	1	X
4	050199	5547-F/5575-F LHR End Case Kit	1	X
5	050364	55 Series End Case Backplate	1	
6	090051	55 Retaining Screw Pkg.	10	
6	090026	55 Retaining Screw Pkg.	2	
7	090052	55 End Case Spring Pkg.	20	
7	090028	55 End Case Spring Pkg.	4	
8	050366	55 End Case Spring Lever	1	
9	900507	55 Series End Case Mounting Pkg.	2	X

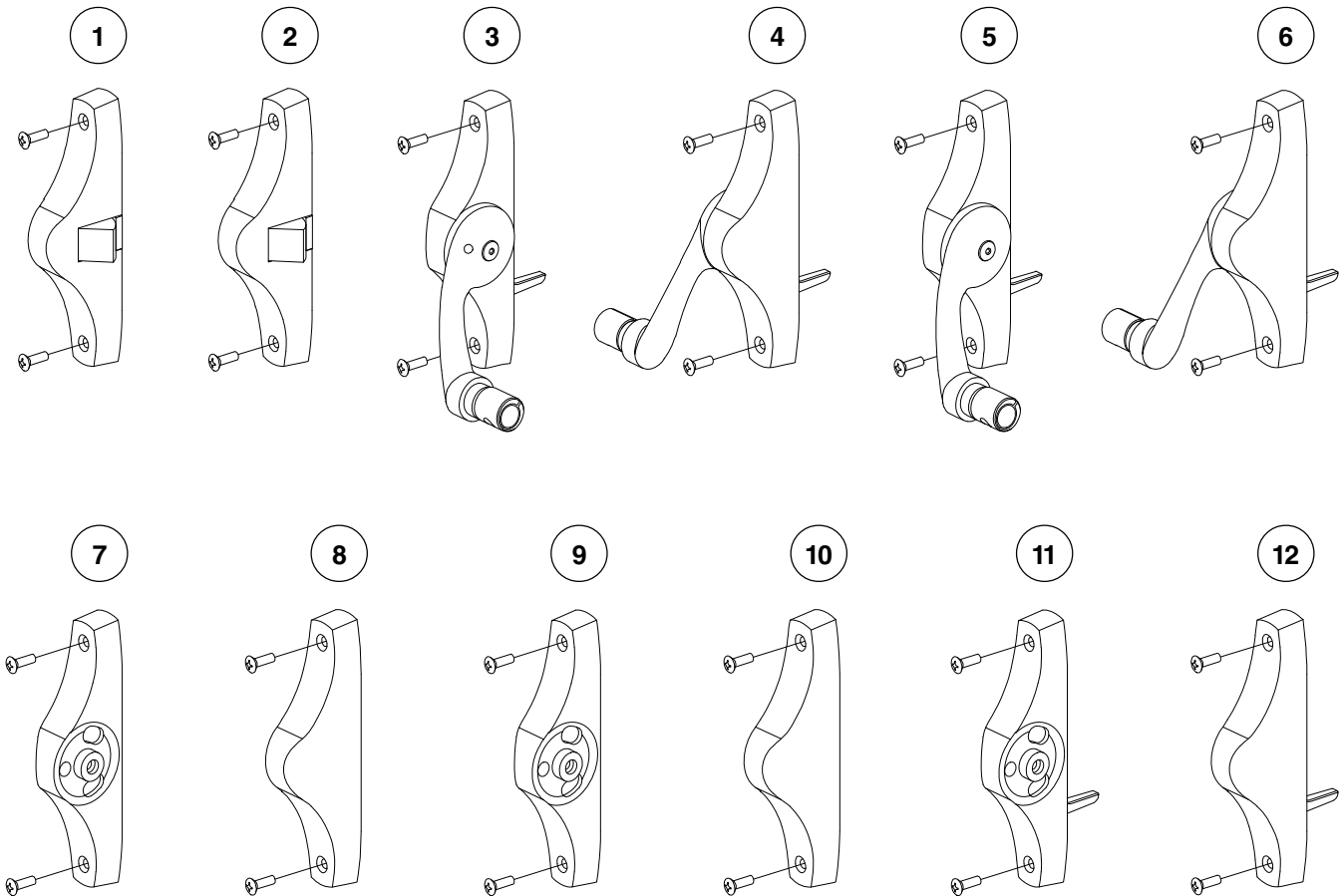
X in "Finish" column designates finished item; specify finish when ordering.



CENTER CASE KITS

Item No.	Part No.	Description	Quantity	Finish
1	050183	55EO Center Case Kit	1	X
2	050184	55NL Center Case Kit	1	X
3	050186	5575 Center case LHR Kit	1	X
4	050185	5575 Center Case RHR Kit	1	X
5	050188	5575-F Center Case LHR Kit	1	X
6	050187	5575-F Center Case RHR Kit	1	X
7	050191	5547 LHR Center Case Kit	1	X
8	050189	5547 RHR Center Case Kit	1	X
9	050193	5547-F LHR Center Case Kit	1	X
10	050192	5547-F RHR Center Case Kit	1	X
11	050195	5547WDC LHR Center Case Kit	1	X
12	050194	5547WDC RHR Center Case Kit	1	X

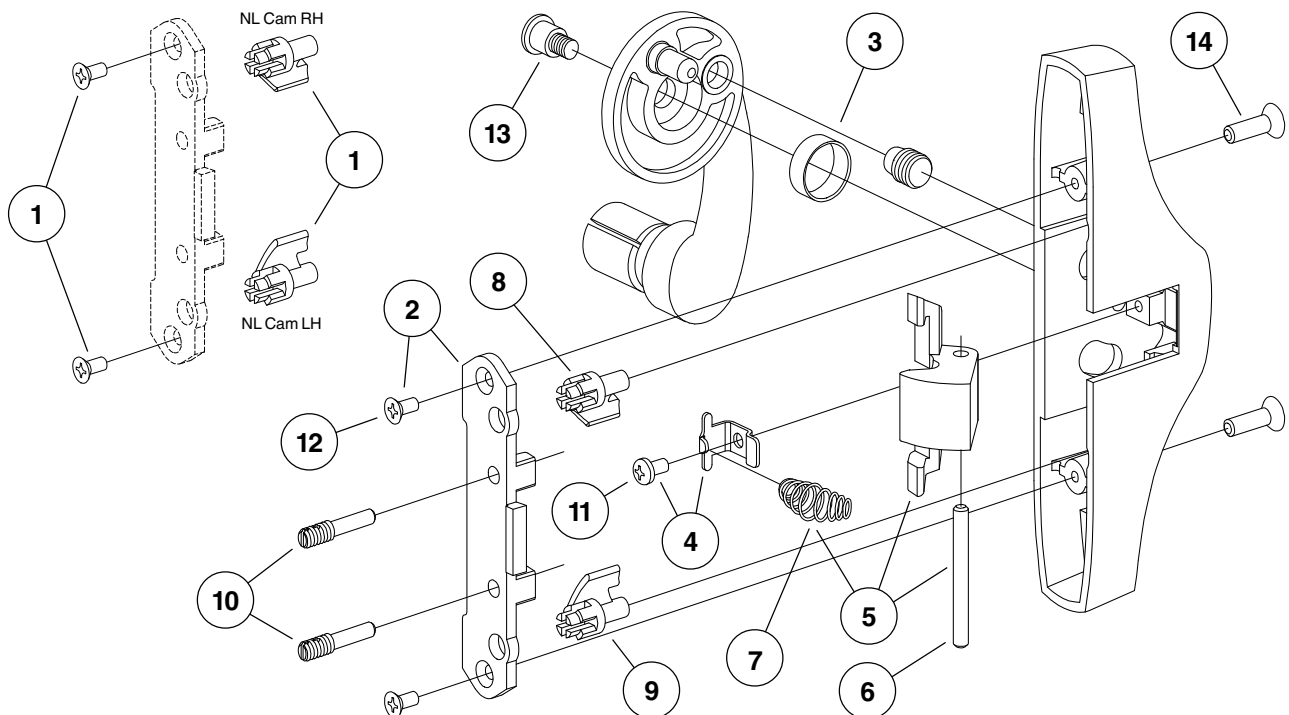
X in "Finish" column designates finished item; specify finish when ordering.



CENTER CASE PARTS: 55 RIM DEVICE

Item No.	Part No.	Description	Quantity	Finish
1	050105	55CK-NL Conversion Kit (order trim separate)	1	
2	050332	55 Rim Backplate w/Screws	1	X
3	050333	55 Case Bushing	1	
4	050334	55 Rim Spring Clip w/Screws	1	
5	050352	55 Rim Latch Bolt w/Axle and Spring	1	
6	050353	55 Rim Latch Bolt Axle	1	
7	050354	55 Rim Latch Bolt Spring	1	
8	050355	55NL Cam RH	1	
9	050356	55NL Cam LH	1	
10	090023	55 Axle Retainer Pkg.	2	
11	090024	55 Spring Anchor Screw Pkg.	10	
12	090025	55 Backplate Screw Pkg.	10	
13	090022	55 Rim Center Case Retaining Screw Pkg.	2	
13	090050	55 Rim Center Case Retaining Screw Pkg.	10	
14	900507	55 Rim Center Case Mounting Pkg.	1	X
		12-24 x 3/4" OPHMS	2	
14	900512	Rim 2" Dr SNB Mounting Pkg.	1	X
		12-24 x 1" OPHMS	4	

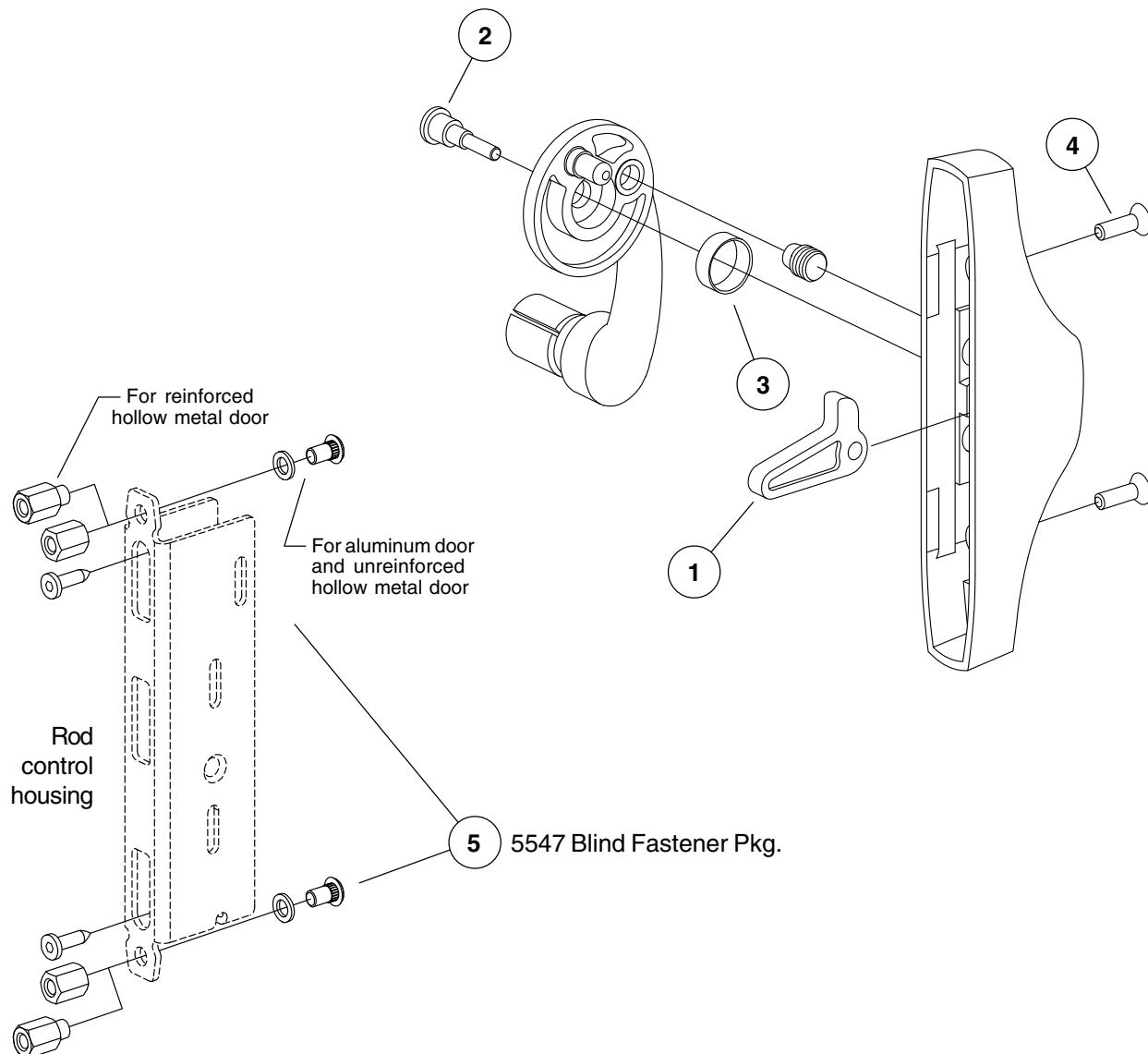
X in "Finish" column designates finished item; specify finish when ordering.



CENTER CASE PARTS: 5547 DEVICE

Item No.	Part No.	Description	Quantity	Finish
1	050357	5547 Control Lever	1	
2	090051	55 Retaining Screw Pkg.	10	
2	090026	55 Retaining Screw Pkg.	2	
3	050333	55 Case Bushing	1	
4	900508	5547 Center Case Mounting Pkg.		X
		12-24 x 1/2" OPHMS	2	
4	900514	5547 2" Dr SNB Mounting Pkg.		X
		12-24 x 1" OPHMS	2	
5	900539	5547 Blind Fastener Pkg.	1	

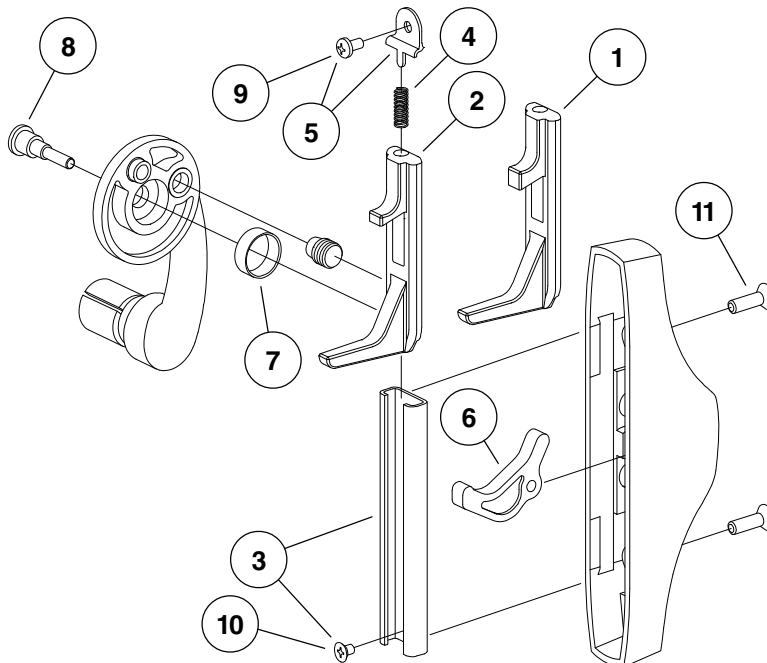
X in "Finish" column designates finished item; specify finish when ordering.



CENTER CASE PARTS: 5547-F, 5547WDC, 5575, 5575-F DEVICES

Item No.	Part No.	Description	Quantity	Finish
1	050360	5547-F/5547WDC Lift Member	1	
2	050361	5575/5575-F Lift Member	1	
3	050359	5547-F/5547WDC Lift Member Channel	1	
4	050362	5547/5547-F Latch Release Spring	1	
5	050363	5547-F/5547WDC Spring Anchor	1	
6	050358	5547-F/5547WDC Lift Member Lever	1	
7	050333	55 Case Bushing	1	
8	090051	55 Retaining Screw Pkg.	10	
8	090026	55 Retaining Screw Pkg.	2	
9	090024	55 Spring Anchor Screw Pkg.	10	
10	090027	Lift Member Guide Screw Pkg.	10	
11	900509	5547-F/5575/5575-F Center Case Mounting Pkg.		X
		12-24 x 5/8" OPHMS	2	
11	900507	5547WDC Center Case Mounting Pkg.		X
		12-24 x 3/4" OPHMS	2	
11	900512	5547WDC 2" Dr SNB Mounting Pkg.		X
		12-24 x 1" OPHMS	4	
11	900514	5547/5575 2" Dr SNB Mounting Pkg.		X
		12-24 x 1" OPHMS	2	

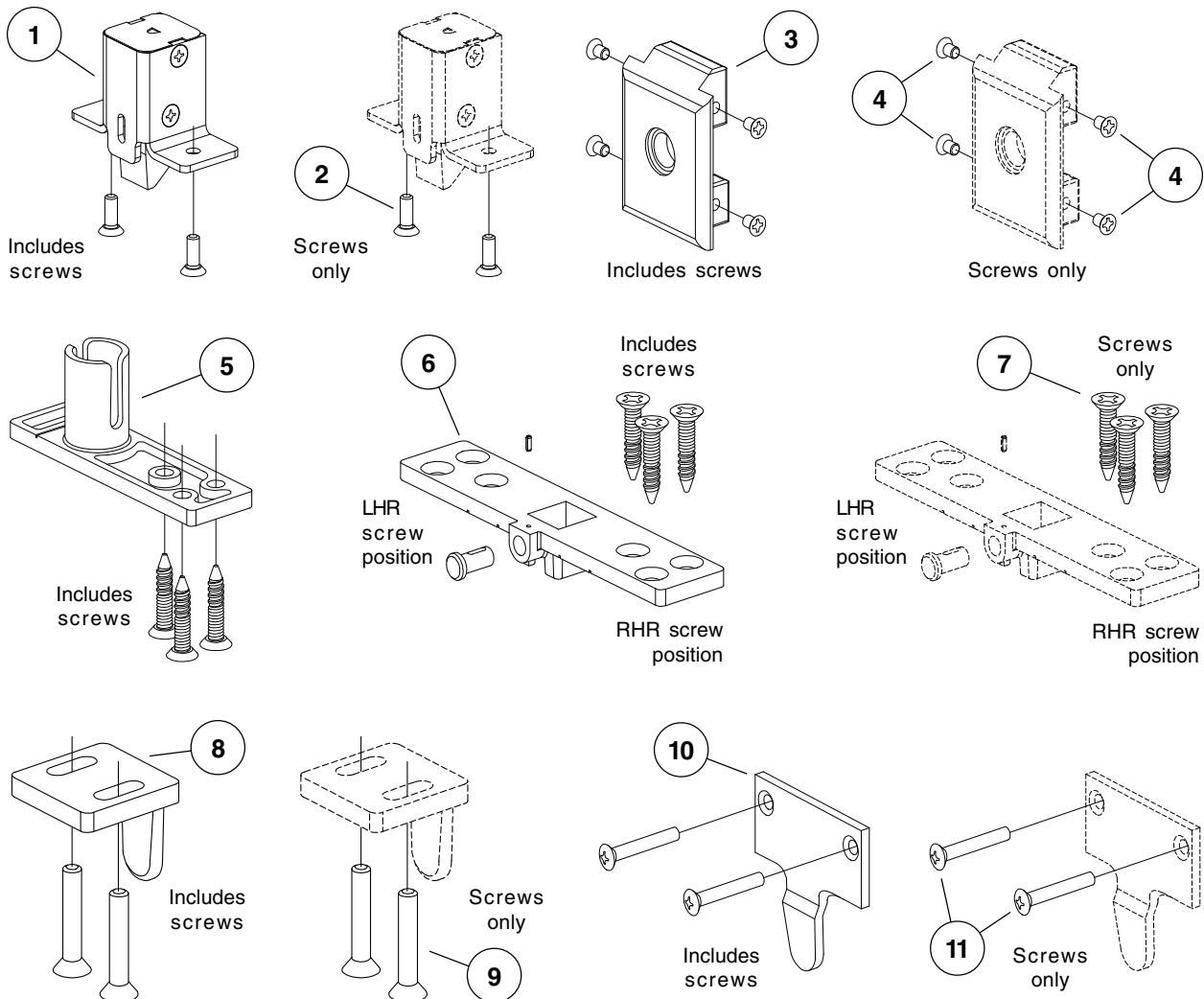
X in "Finish" column designates finished item; specify finish when ordering.



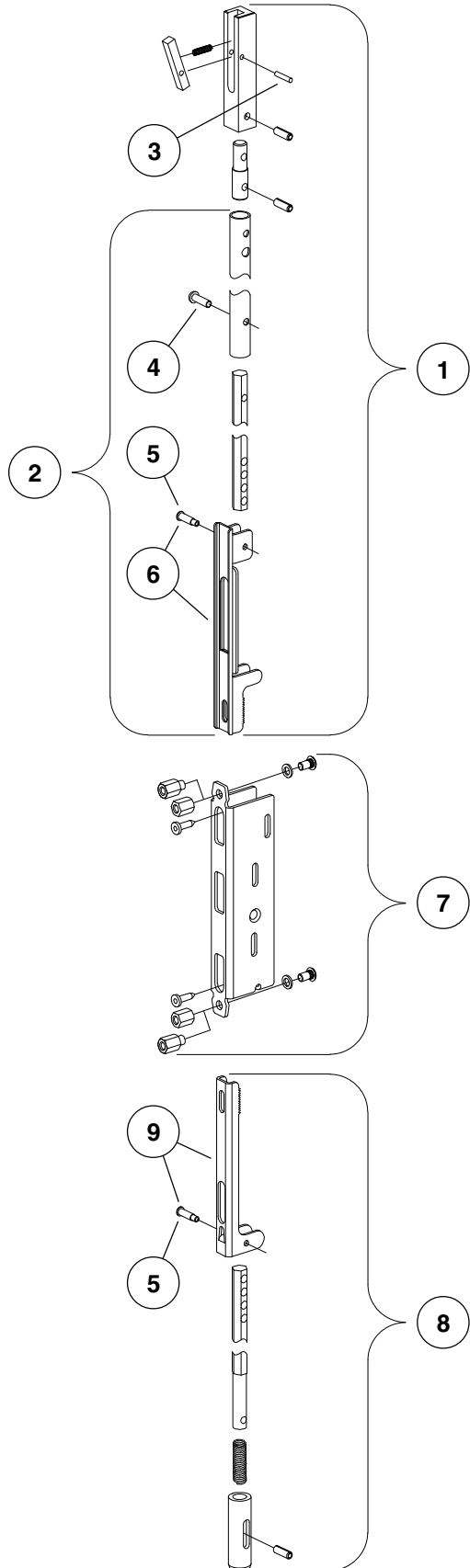
VERTICAL LATCHES

Item No.	Part No.	Description	Quantity	Finish
1	114141	5547-F Soffit Latch Kit (includes screws)	1	
2	900502	5547 Soffit Latch Mounting Pkg.	2	
3	050278	5547-F Release Guide Cover with Screws	1	X
4	PKGSRV.1018	5547-F Top Latch Release Screw Pkg.	20	
5	050370	5547/5547WDC Bottom Bracket Guide (includes screws)	1	
6	100316	5547/5547WDC Top Plate (includes screws)	1	
7	090033	5547WDC Top Plate Screw Pkg.	10	
8	900576	5547-F Plunger Release Bracket (includes screws)	1	X
9	090034	5547-F Plunger Release Bracket Screw Pkg.	10	X
10	900614	5547-F Flush Transom Release Bracket with Screws	1	X
11	090035	5547-F Flush Transom release Bracket Screw Pkg.	10	X

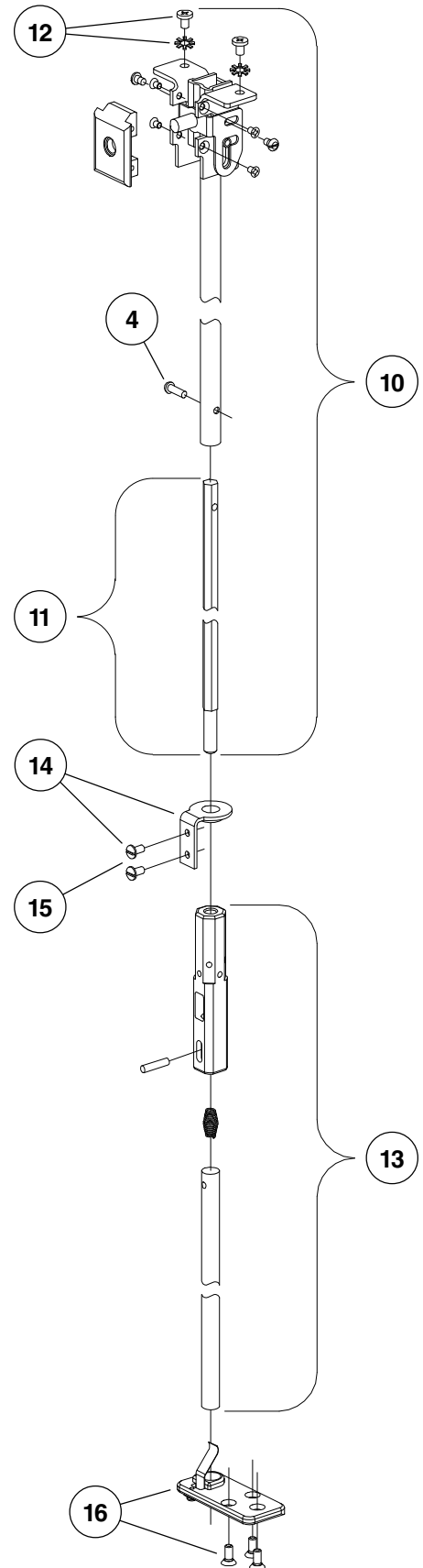
X in "Finish" column designates finished item; specify finish when ordering.



VERTICAL RODS: 5547 DEVICE



VERTICAL RODS: 5547-F DEVICE



VERTICAL RODS: 5547 DEVICE

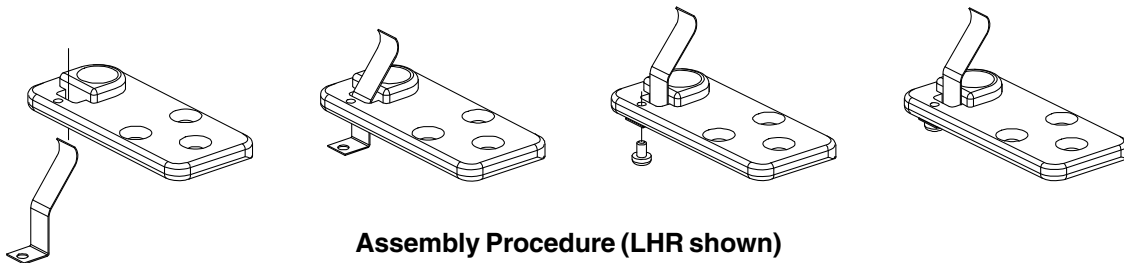
Item No.	Part No.	Description	Quantity	Finish
1	050053	5547 Top Rod Kit 6'8"-8' Door	1	
1	050372	5547 Top Rod Kit 8'-10' Door	1	
2	051704	5547 Extension Rod Kit 8'-10' Door	1	
3	090032	5547 Top Rod 1/8" x 5/8" Roll Pin Pkg.	10	
4	090011	5547 Rod Connector Rivet Pkg.	10	
5	090030	5547 Rod Connector Pin Pkg.	2	
6	050368	5547 Top Rod Connector with Pin	1	
7	050367	5547 Rod Control Housing	1	
8	050036	5547 Bottom Rod Kit	1	
9	050369	5547 Bottom Rod Connector with Pin	1	

X in "Finish" column designates finished item; specify finish when ordering.

VERTICAL RODS: 5547-F DEVICE

Item No.	Part No.	Description	Quantity	Finish
10	050457	5547-F Top Rod Kit 6'8"-8' Door	1	X
10	050373	5547-F Top Rod Kit 8'-10' Door	1	X
11	051705	5547-F Extension Rod Kit 8'-10' Door	1	
12	900541	5547-F Rod Set Mounting Pkg.	1	
13	050458	5547-F Bottom Rod Kit	1	
14	105144	5547-F Rod Guide Pkg.	1	
15	090018	5547-F Rod Guide Mounting Screw Pkg.	10	
16	100741	5547-F Bottom Guide Pkg.	1	

X in "Finish" column designates finished item; specify finish when ordering.

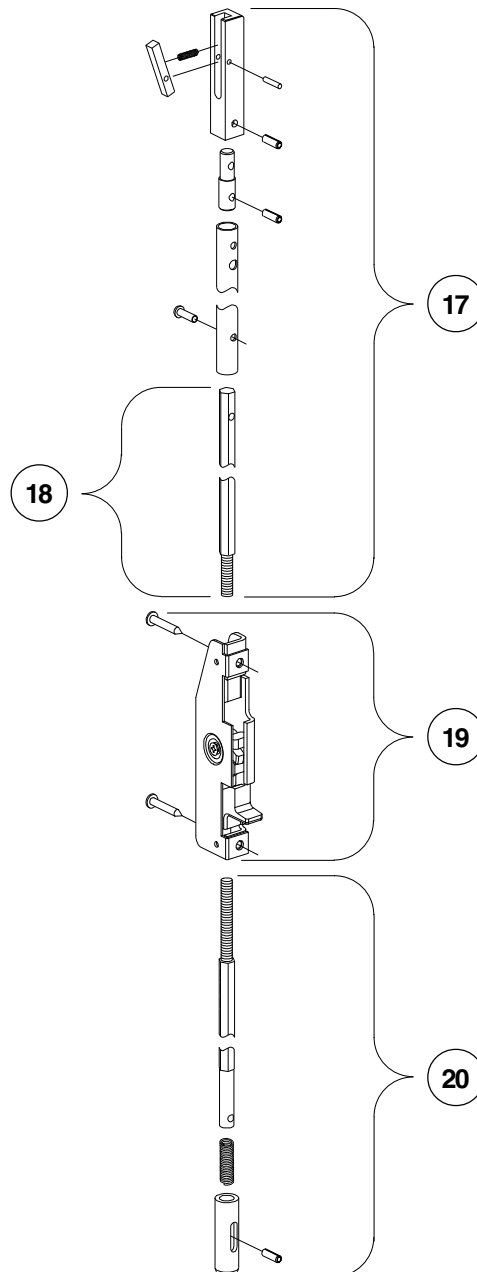


Assembly Procedure (LHR shown)
 5547-F Bottom Guide Pkg.
 Part No. 100741

VERTICAL RODS: 5547WDC DEVICE

Item No.	Part No.	Description	Quantity	Finish
17	050110	5547WDC Top Rod Kit 6'8"-8' Door	1	
17	050374	5547WDC Top Rod Kit 8'-10' Door	1	
18	051707	5547WDC Extension Rod Kit 8'-10' Door	1	
19	100315	5547WDC Latch Control	1	
20	050096	5547WDC Bottom Rod Kit	1	

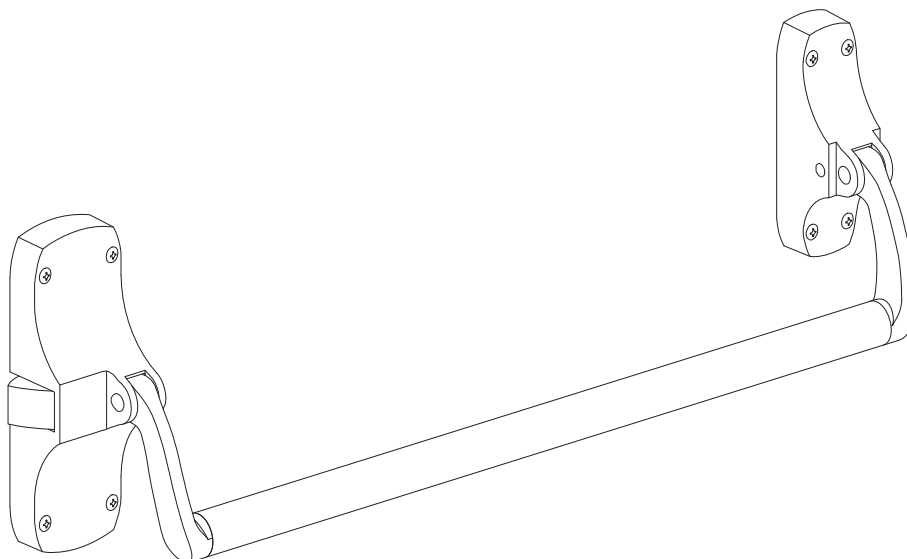
X in "Finish" column designates finished item; specify finish when ordering.



VON DUPRIN®

88 Series Rim Exit Device

Service manual



INDEX

General Information

Introduction	2
How to Order	2
Part Number Changes	2
88 Rim Series Finishes	3
Outside Trim Functions	3
Strikes	3

88 Rim Series Device Parts

Crossbars	4
Lever Arm Kits	5
Lever Arm Parts Packages	6
End Case Kit and End Case Parts	8
Center Case Parts: EO, DT, and NL Panic Exit Devices	10
Center Case Parts: EO and NL Fire Exit Devices	12
Center Case Parts: TP Panic Exit Devices	14
Center Case Parts: TP Fire Exit Devices	16
Center Case Parts: K/L Panic Exit Devices	18
Center Case Parts: K/L Fire Exit Devices	20
Backplate Conversion Kits	22
Center Case Kits	23

INTRODUCTION

This manual contains a listing of replaceable parts and assemblies for the 88 Series Panic and FEH Devices.

HOW TO ORDER

Some parts are sold separately. Other items are available as part of a kit or multiple quantity package. For the best possible service when ordering replacement parts or assemblies, please provide the following information:

- Part number or assembly number
- Description
- Quantity needed
- Finish desired (if available finished)
- Date of original purchase (if known)

To find out the name of your local Von Duprin distributor or sales representative, contact:

Von Duprin Division
Allegion
2720 Tobey Drive
Indianapolis, IN 46219
Phone: (877) 671-7011

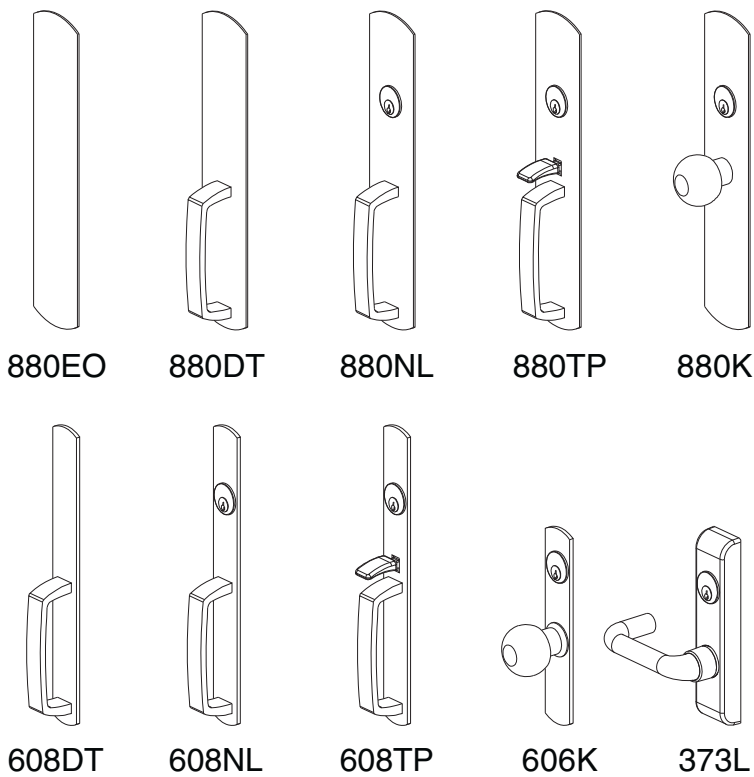
PART NUMBER AND AVAILABILITY CHANGES

This manual was designed to help illustrate the replacement parts and kits that are available for sale. Because of changes to the product and/or manufacturing process, part numbers and availability can change over time.

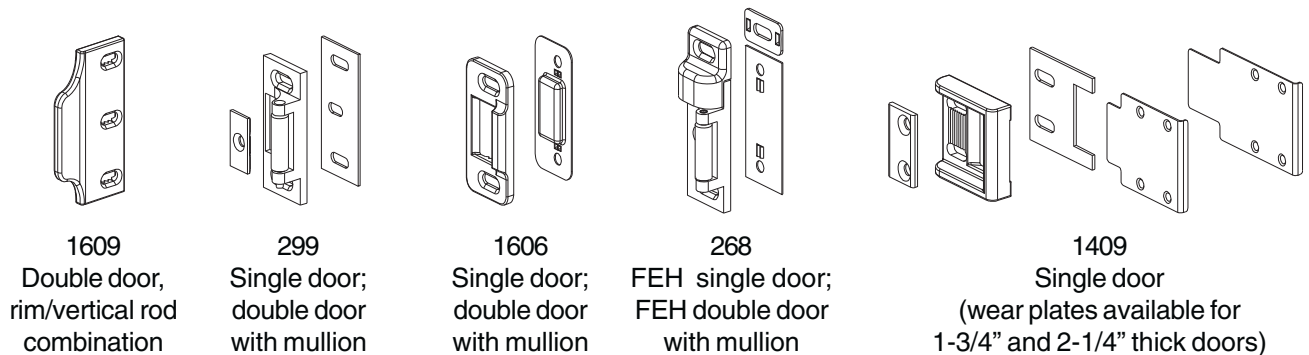
88 RIM SERIES FINISHES

US Number	BHMA Number	Color
US3	605	Brass, polished
US4	606	Brass, dull
US10	612	Bronze, dull
US10B	613	Brass, dull (oxidized)
US26	625	Chrome, polished
US26D	626	Chrome, dull
SPBLK	693	Gloss Black Powder Coat

OUTSIDE TRIM FUNCTIONS



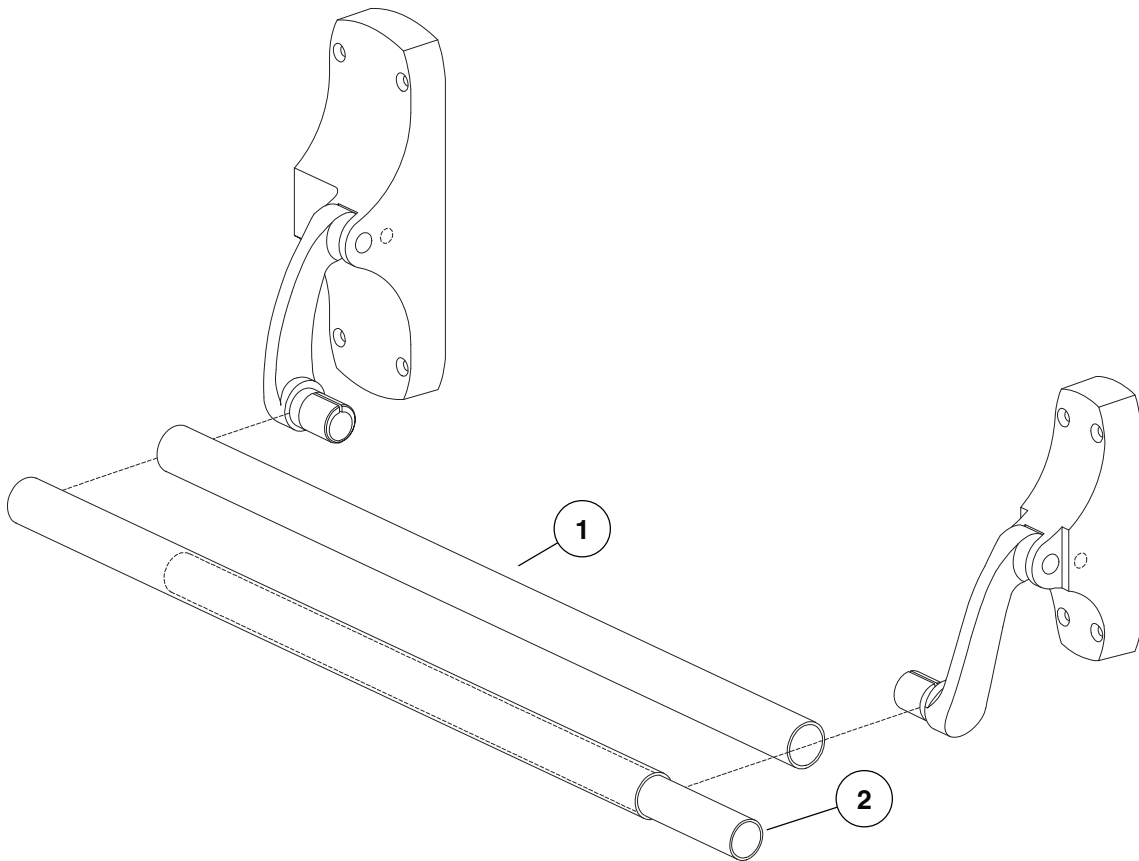
STRIKES



CROSSBARS

Item No.	Part No.	Description	Quantity	Finish
1	050004	42" Standard Crossbar Kit	1	X
1	050005	42" Knurled Crossbar Kit	1	X
2	050459	37" Crossbar Reinforcement Kit	1	

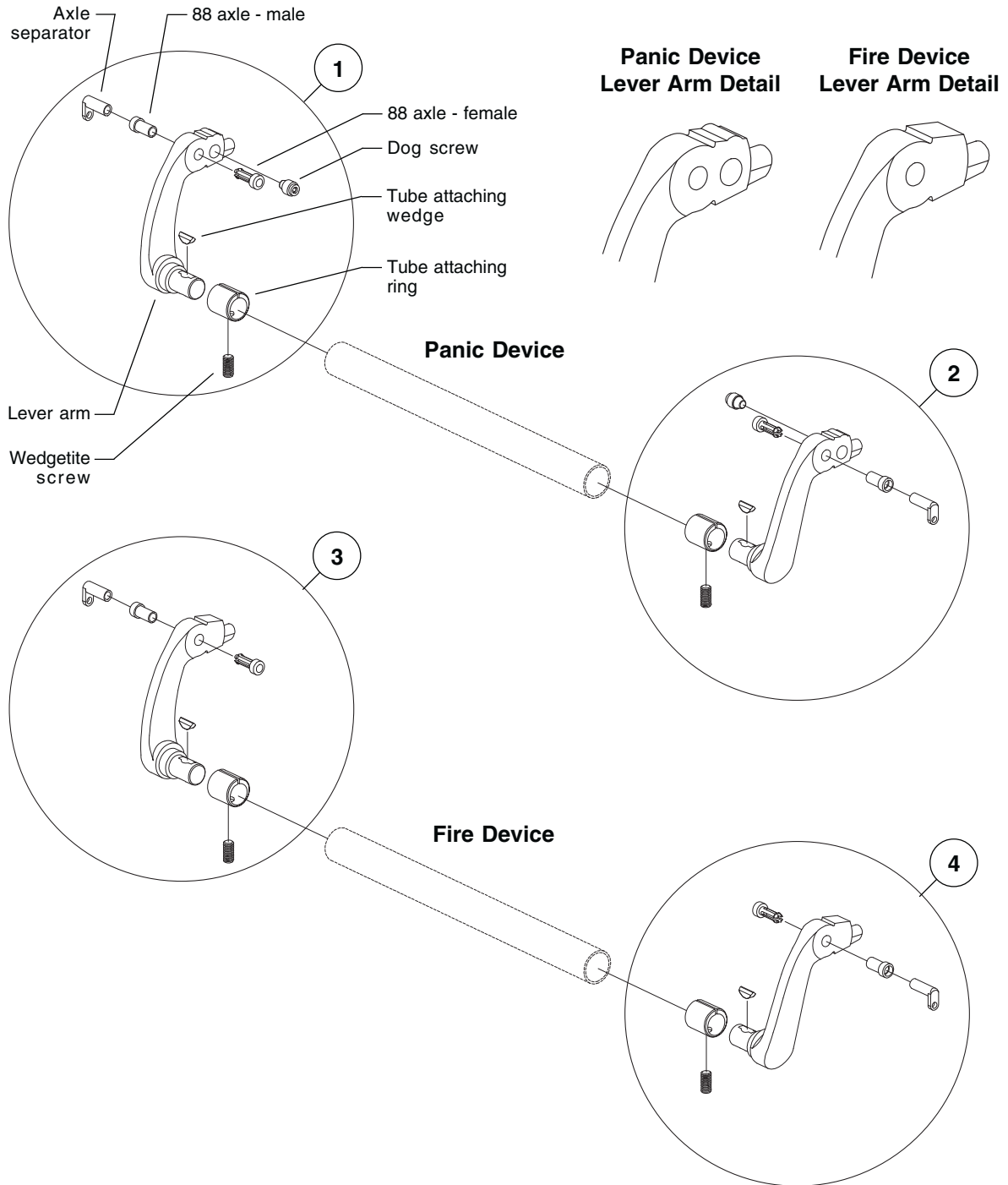
X in "Finish" column designates finished item; specify finish when ordering.



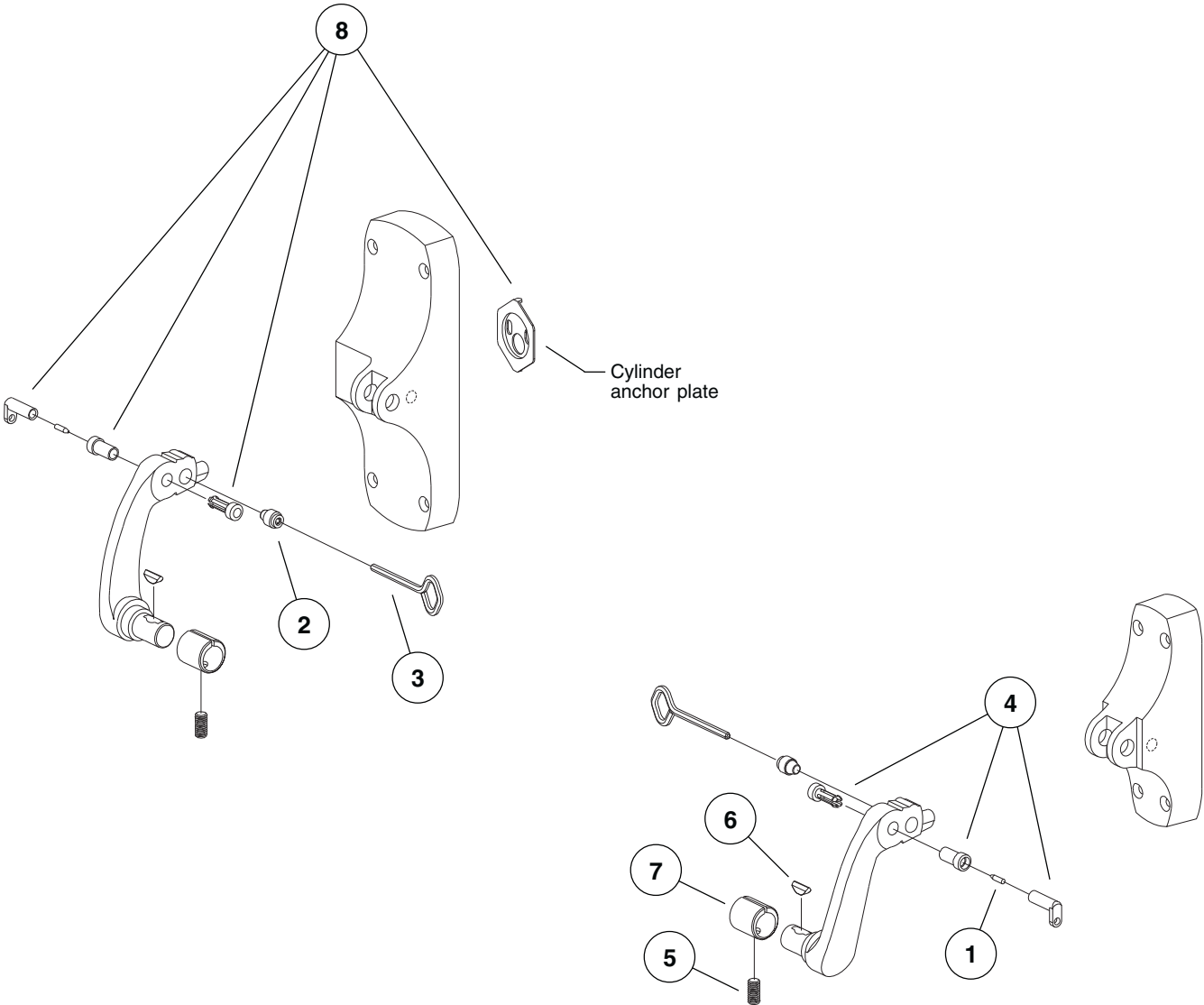
LEVER ARM KITS

Item No.	Part No.	Description	Quantity	Finish
1	050439	88 R/M/V LH Lever Arm Kit	1	X
2	050438	88 R/M/V RH Lever Arm Kit	1	X
3	050441	88-F Rim LH Lever Arm Kit	1	X
4	050440	88-F Rim RH Lever Arm Kit	1	X

X in "Finish" column designates finished item; specify finish when ordering.



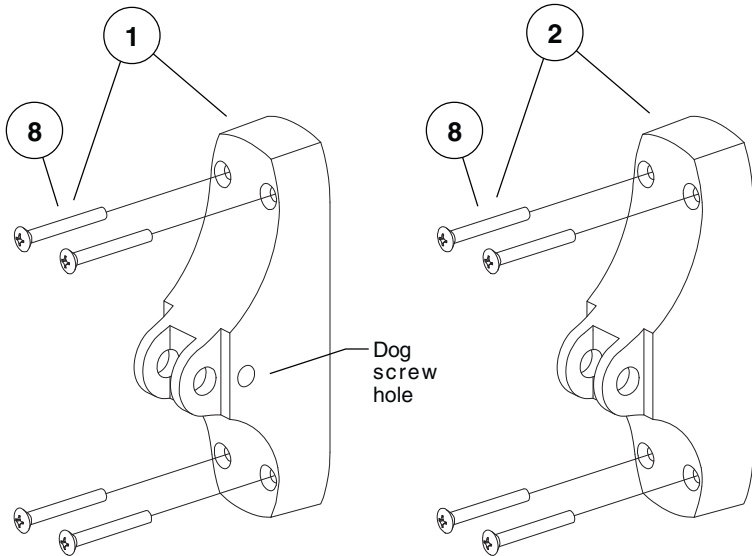
LEVER ARM PARTS PACKAGES



LEVER ARM PARTS PACKAGES

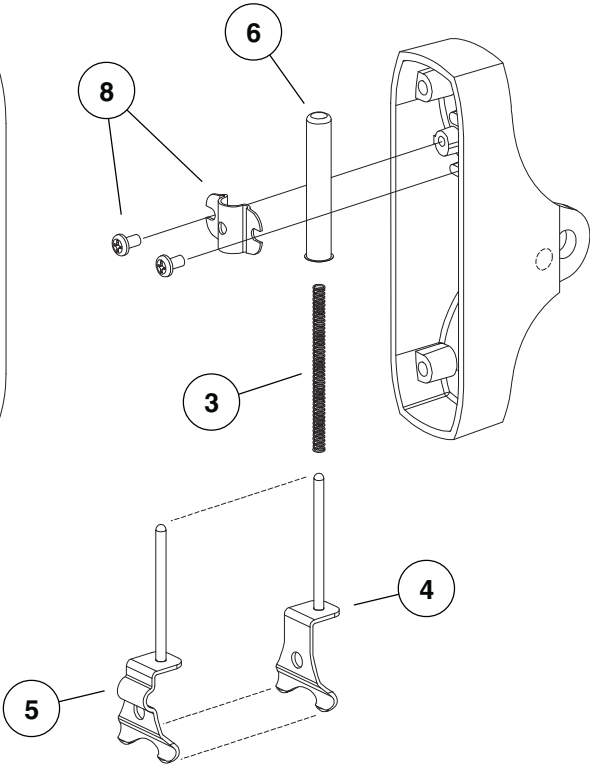
Item No.	Part No.	Description	Quantity	Finish
1	090007	Axle Security Pin Pkg.	10	
1	033022	Axle Security Pin Pkg.	50	
2	090004	Dog Screw Pkg.	2	
2	090083	Dog Screw Pkg.	10	
3	090005	227 Dog Key 5/32" Pkg.	2	
3	090085	227 Dog Key 5/32" Pkg.	10	
4	090006	Lever Arm Axle Pkg.		
		88 Axle Separator	2	
		88 Axle - Male	2	
		88 Axle - Female	2	
4	090082	Lever Arm Axle Pkg.		
		88 Axle Separator	10	
		88 Axle - Male	10	
		88 Axle - Female	10	
5	090008	Wedgetite Screw Pkg.	2	
5	090081	Wedgetite Screw Pkg.	30	
6	090020	Crossbar Tube Attaching Wedge Pkg.	2	
7	090021	Crossbar Tube Attaching Ring Pkg.	2	
8	103865	88 Lever Arm Axle Pkg.		
		Cyliner Anchor Plate	1	
		88 Axle Separator	1	
		88 Axle - Male	2	
		88 Axle - Female	2	

END CASE KIT AND END CASE PARTS



Panic Device

Fire Device

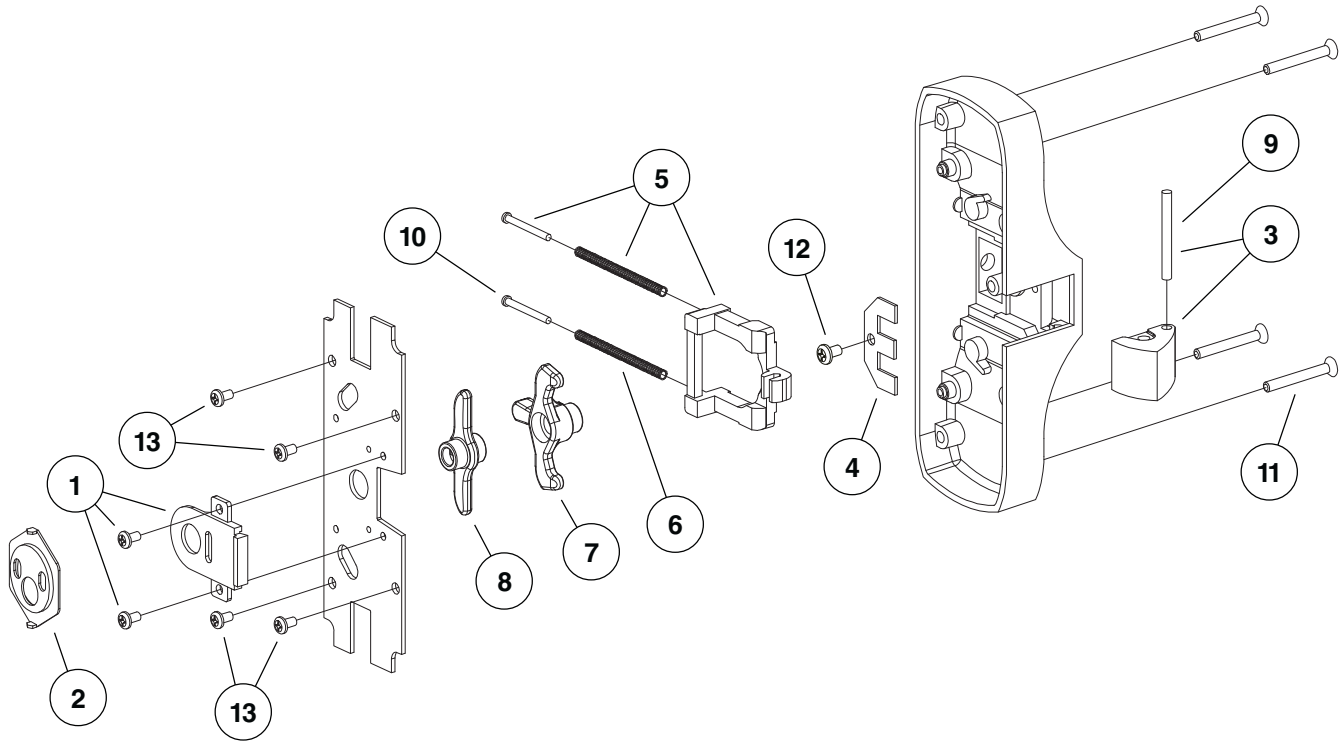


END CASE KIT AND END CASE PARTS

Item No.	Part No.	Description	Quantity	Finish
1	050435	88 R/M/V End Case Kit		X
		88 R/M/V End Case	1	
		10-24 x 1-1/2" OPHMS	4	
		10-24 x 2" OPHMS	4	
		10-12 x 10-24 x 2" OPHCS	4	
2	050437	88-F Rim End Case Kit		X
		88-F End Case	1	
		10-24 x 1-1/2" OPHMS	4	
		10-24 x 2" OPHMS	4	
		10-12 x 10-24 x 2" OPHCS	4	
3	090003	88 End Case Spring Pkg.	2	
3	090080	88 End Case Spring Pkg.	10	
4	050451	88 End Case Spring Stop Kit	1	
5	050452	88-F End Case Spring Stop Kit	1	
6	050476	88/88-F End Case Spring Tube	1	
7	050477	88/88-F Spring Tube Bracket w/Screws Kit		
		88/88-F Spring Tube Bracket	1	
		88/88-F Spring Tube Bracket Screws	2	
8	900503	88 Center or End Case Mtg. Pkg. (CS and MS screws)		X
		10-24 x 1-1/2" OPHMS	4	
		10-24 x 2" OPHMS	4	
		10-12 x 10-24 x 2" OPHCS	4	
8	900504	88 Center or End Case Mtg. Pkg. (CS screws)		X
		10-12 x 10-24 x 2" OPHCS	4	
8	900505	88 Center or End Case Mtg. Pkg. (MS screws 1-3/4" door)		X
		10-24 x 1-1/2" OPHMS	4	
8	900506	88 Center or End Case Mtg. Pkg. (MS screws 2-1/4" door)		X
		10-24 x 2" OPHMS	4	

X in "Finish" column designates finished item; specify finish when ordering.

CENTER CASE PARTS: EO, DT, AND NL PANIC EXIT DEVICES

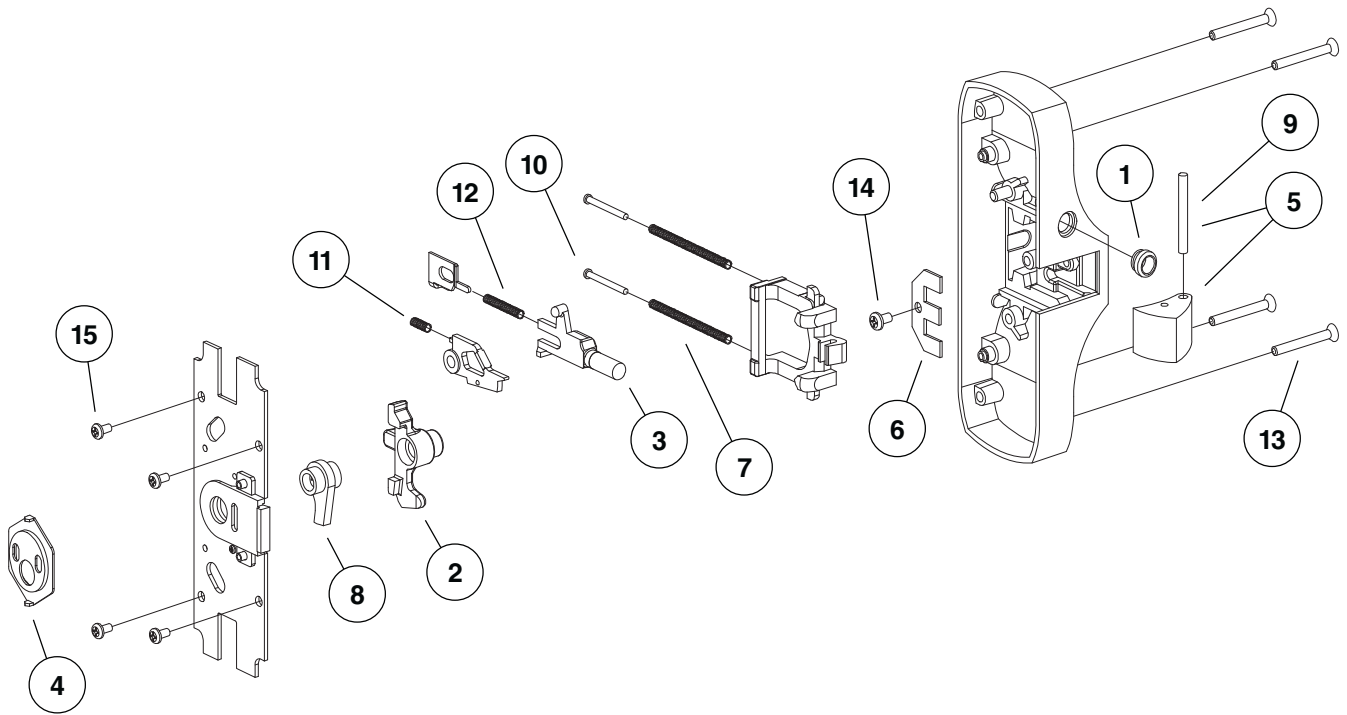


CENTER CASE PARTS: EO, DT, AND NL PANIC EXIT DEVICES

Item No.	Part No.	Description	Quantity	Finish
1	050260	88 Rim Auxiliary Backplate Kit		X
		88 Rim Auxiliary Backplate	1	
		8-32 x 5/16" PPHMS	2	
2	050331	88 Cylinder Anchor Plate	1	
3	050497	88 Latchbolt w/Axle Kit		
		88 Rim Latchbolt	1	
		88 Rim Latchbolt Axle	1	
4	050499	88 Rim Latch Retainer Plate	1	
5	050500	88 Rim Latch Tail, Spring, Rivet Kit		
		88 Rim Latch Tail Rivet	2	
		88 Rim Latch Tail Spring	2	
		88 Rim Latch Tail	1	
6	050393	88 Rim Latch Tail Spring Pkg.	10	
7	050501	88 Rim Master Cam	1	
8	050502	88NL Cylinder Cam	1	
9	090001	88 Rim Latch Bolt Axle Pkg.	4	
10	090002	88 Rim Center Case Rivet Pkg.	10	
11	900503	88 Center or End Case Mtg. Pkg. (CS and MS screws)		X
		10-24 x 1-1/2" OPHMS	4	
		10-24 x 2" OPHMS	4	
		10-12 x 10-24 x 2" OPHCS	4	
11	900504	88 Center or End Case Mtg. Pkg. (CS screws)		X
		10-12 x 10-24 x 2" OPHCS	4	
11	900505	88 Center or End Case Mtg. Pkg. (MS screws 1-3/4" door)		X
		10-24 x 1-1/2" OPHMS	4	
11	900506	88 Center or End Case Mtg. Pkg. (MS screws 2-1/4" door)		X
		10-24 x 2" OPHMS	4	
12	900610	88 Rim Latch Retainer Plate Screw Pkg.		
		10-24 x 5/16" PPHMS Thd. Cut	10	
13	900613	88 Backplate Screw Pkg.		
		8-32 x 3/8" PPH TF	4	

X in "Finish" column designates finished item; specify finish when ordering.

CENTER CASE PARTS: EO AND NL FIRE EXIT DEVICES

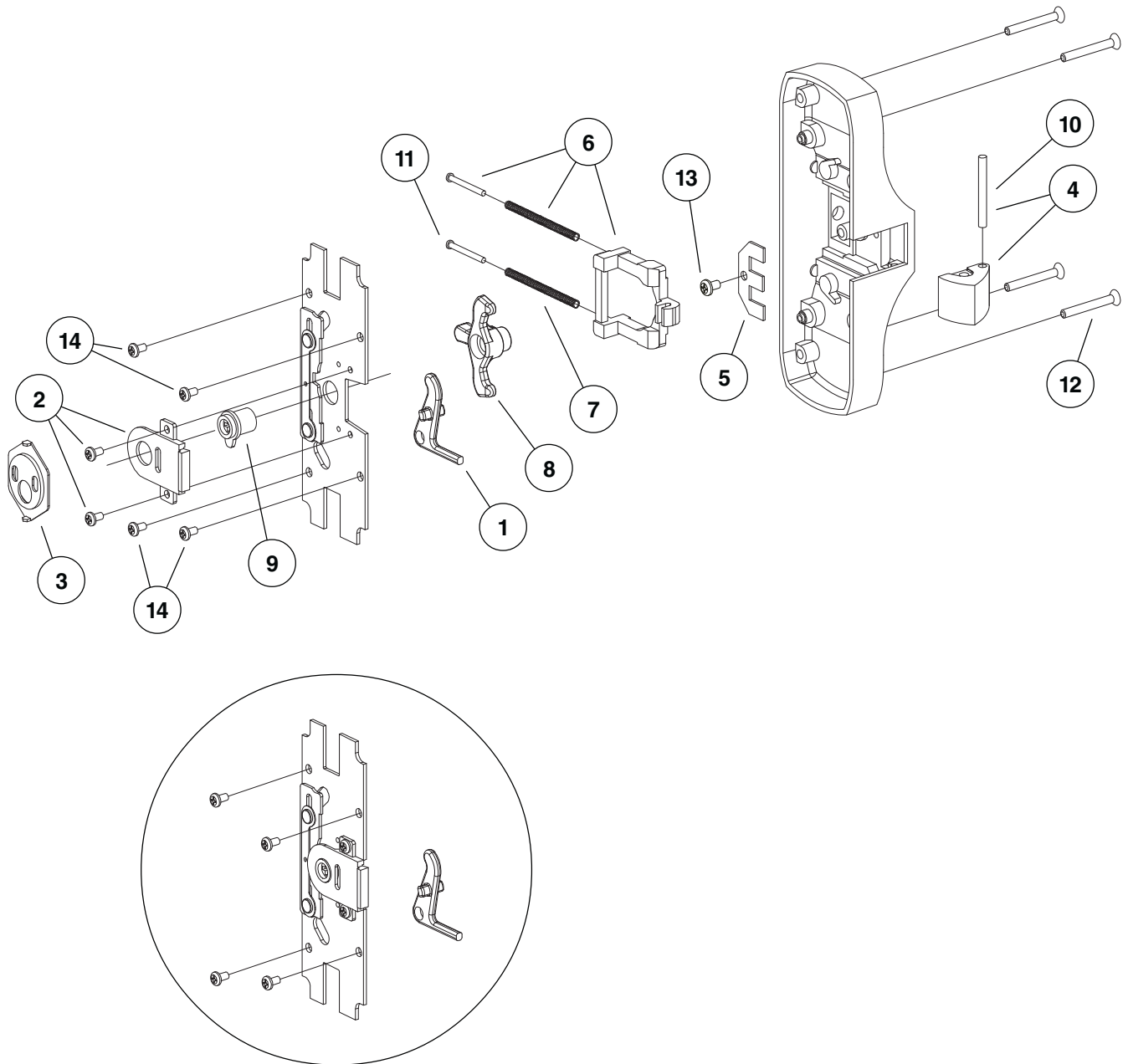


CENTER CASE PARTS: EO AND NL FIRE EXIT DEVICES

Item No.	Part No.	Description	Quantity	Finish
1	050272	88-F Auxiliary Bolt Bushing	1	
2	050274	88-F Master Cam LH (shown)	1	
2	050273	88-F Master Cam RH (not shown)	1	
3	050276	88-F Auxiliary Bolt LH (shown)	1	
3	050275	88-F Auxiliary Bolt RH (not shown)	1	
4	050331	88 Cylinder Anchor Plate	1	
5	050498	88-F Latchbolt w/Axle Kit		
		88-F Rim Latchbolt	1	
		88 Rim Latchbolt Axle	1	
6	050499	88 Rim Latch Retainer Plate	1	
7	050393	88 Rim Latch Tail Spring Pkg.	10	
8	050503	88NL-FCylinder Cam	1	
9	090001	88 Rim Latch Bolt Axle Pkg.	4	
10	090002	88 Rim Center Case Rivet Pkg.	10	
11	090009	88-F Rim Gravity Dog Spring Pkg.	5	
12	090017	88-F Auxiliary Bolt Return Spring Pkg.	5	
13	900503	88 Center or End Case Mtg. Pkg. (CS and MS screws)		X
		10-24 x 1-1/2" OPHMS	4	
		10-24 x 2" OPHMS	4	
		10-12 x 10-24 x 2" OPHCS	4	
13	900504	88 Center or End Case Mtg. Pkg. (CS screws)		X
		10-12 x 10-24 x 2" OPHCS	4	
13	900505	88 Center or End Case Mtg. Pkg. (MS screws 1-3/4" door)		X
		10-24 x 1-1/2" OPHMS	4	
13	900506	88 Center or End Case Mtg. Pkg. (MS screws 2-1/4" door)		X
		10-24 x 2" OPHMS	4	
14	900610	88 Rim Latch Retainer Plate Screw Pkg.		
		10-24 x 5/16" PPHMS Thd. Cut	10	
15	900613	88 Backplate Screw Pkg.		
		8-32 x 3/8" PPH TF	4	

X in "Finish" column designates finished item; specify finish when ordering.

CENTER CASE PARTS: TP PANIC EXIT DEVICES



Part No. 050102, 88CK-TP Conversion Kit;
replaces item No. 1, 88 Thumbpiece Lift Replacement Kit,
for 88TP devices shipped after June 2000

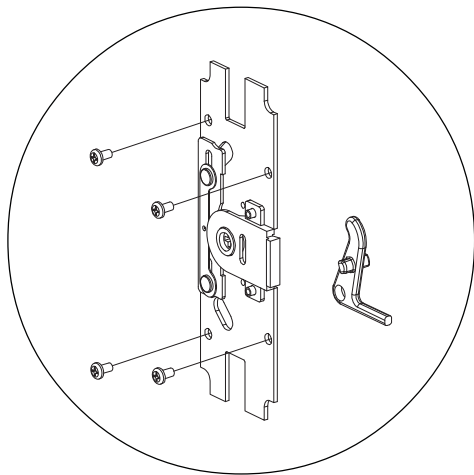
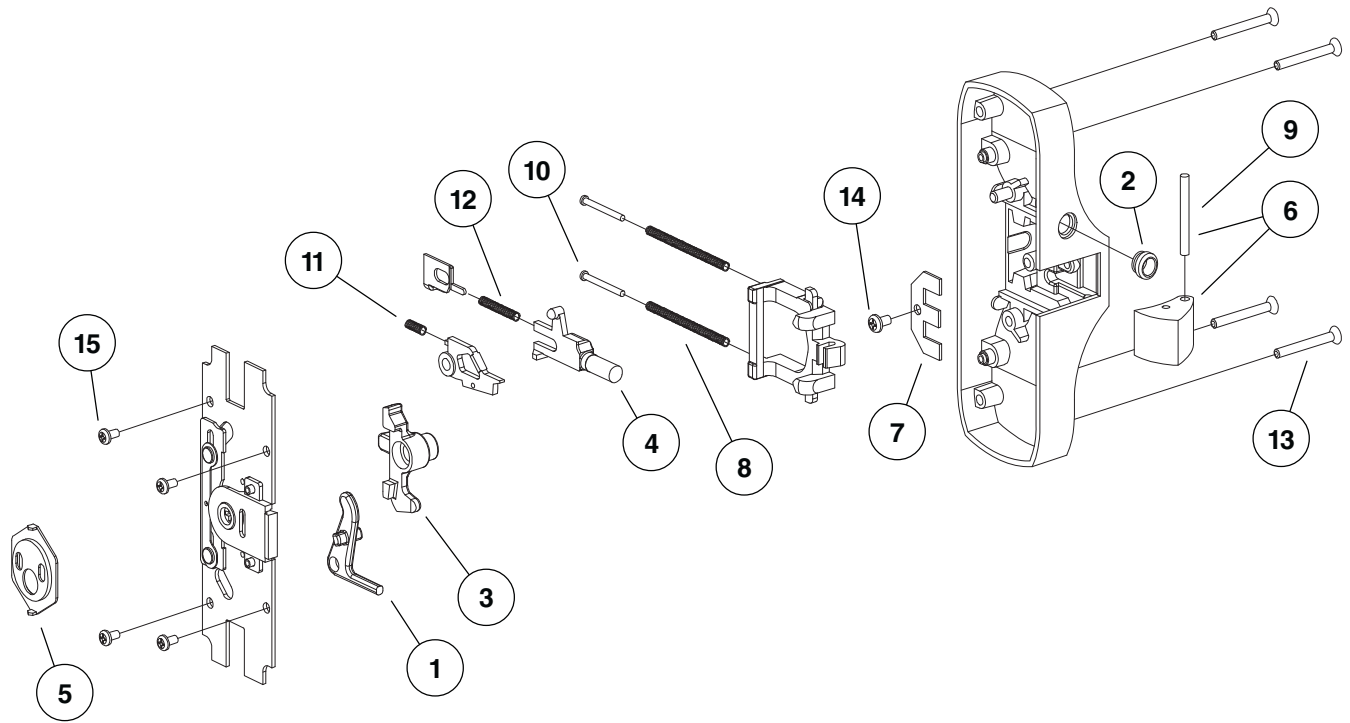
CENTER CASE PARTS: TP PANIC EXIT DEVICES

Item No.	Part No.	Description	Quantity	Finish
1	050019	88 Thumbpiece Lift Replacement Kit *	1	
2	050260	88 Rim Auxiliary Backplate		X
		88 Rim Auxiliary Backplate	1	
		8-32 x 5/16" PPHMS	2	
3	050331	88 Cylinder Anchor Plate	1	
4	050497	88 Latchbolt w/Axle Kit		
		88 Rim Latchbolt	1	
		88 Rim Latchbolt Axle	1	
5	050499	88 Rim Latch Retainer Plate	1	
6	050500	88 Rim Latch Tail, Spring, Rivet Kit		
		88 Rim Latch Tail Rivet	2	
		88 Rim Latch Tail Spring	2	
		88 Rim Latch Tail	1	
7	050393	88 Rim Latch Tail Spring Pkg.	10	
8	050501	88 Rim Master Cam	1	
9	050508	88TP/TP-F Cylinder Cam	1	
10	090001	88 Rim Latch Bolt Axle Pkg.	4	
11	090002	88 Rim Center Case Rivet Pkg.	10	
12	900503	88 Center or End Case Mtg. Pkg. (CS and MS screws)		X
		10-24 x 1-1/2" OPHMS	4	
		10-24 x 2" OPHMS	4	
		10-12 x 10-24 x 2" OPHCS	4	
12	900504	88 Center or End Case Mtg. Pkg. (CS screws)		X
		10-12 x 10-24 x 2" OPHCS	4	
12	900505	88 Center or End Case Mtg. Pkg. (MS screws 1-3/4" door)		X
		10-24 x 1-1/2" OPHMS	4	
12	900506	88 Center or End Case Mtg. Pkg. (MS screws 2-1/4" door)		X
		10-24 x 2" OPHMS	4	
13	900610	88 Rim Latch Retainer Plate Screw Pkg.		
		10-24 x 5/16" PPHMS Thd. Cut	10	
14	900613	88 Backplate Screw Pkg.		
		8-32 x 3/8" PPH TF	4	

X in "Finish" column designates finished item; specify finish when ordering.

* For 88TP devices shipped after June 2000; for devices shipped before June 2000, use replacement part No. 050102.

CENTER CASE PARTS: TP FIRE EXIT DEVICES



Part No. 050107, 88CK-TP-F Conversion Kit;
replaces item No. 1, 88 Thumbpiece Lift Replacement Kit,
for 88TP-F devices shipped after June 2000

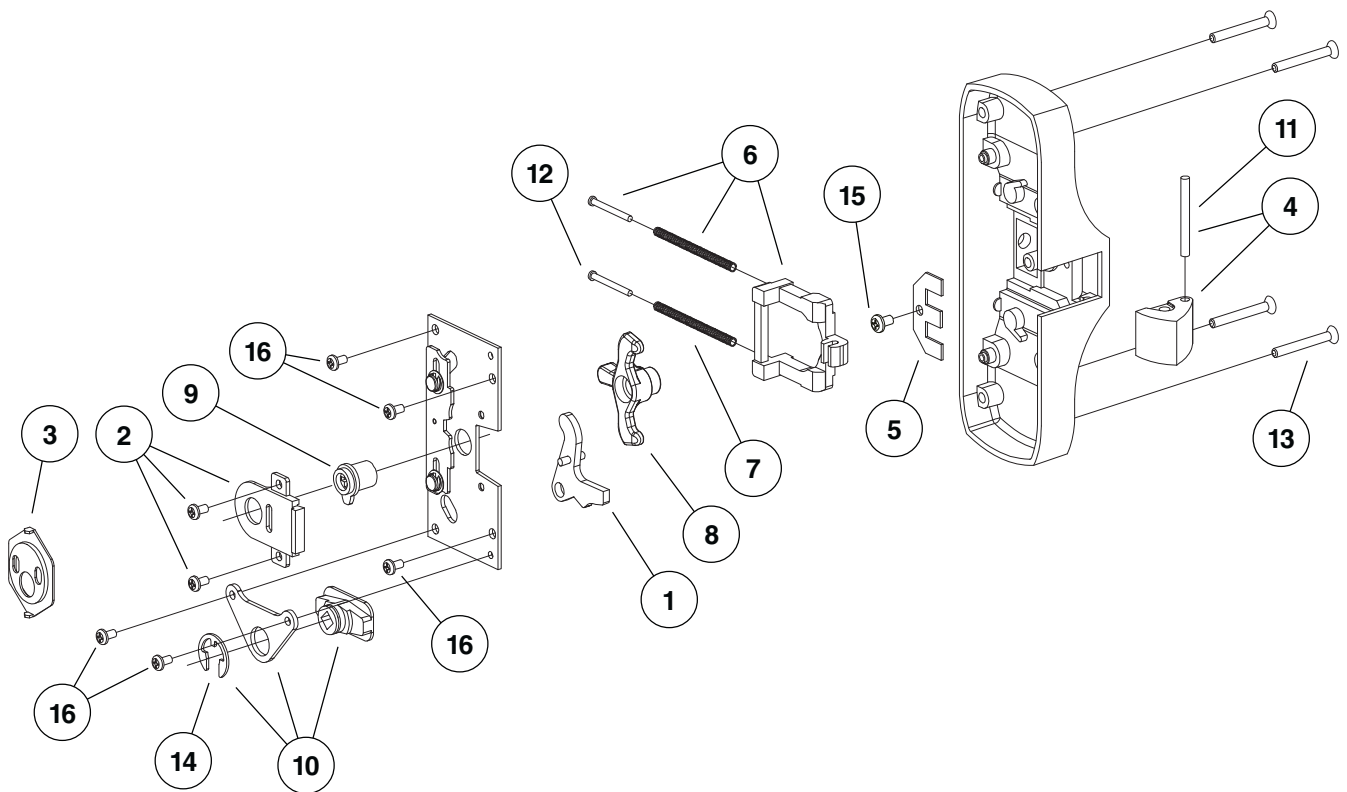
CENTER CASE PARTS: TP FIRE EXIT DEVICES

Item No.	Part No.	Description	Quantity	Finish
1	050019	88 Thumbpiece Lift Replacement Kit *	1	
2	050272	88-F Auxiliary Bolt Bushing	1	
3	050274	88-F Master Cam LH (shown)	1	
3	050273	88-F Master Cam RH (not shown)	1	
4	050276	88-F Auxiliary Bolt LH (shown)	1	
4	050275	88-F Auxiliary Bolt RH (not shown)	1	
5	050331	88 Cylinder Anchor Plate	1	
6	050498	88-F Latchbolt w/Axle Kit		
		88-F Rim Latchbolt	1	
		88 Rim Latchbolt Axle	1	
7	050499	88 Rim Latch Retainer Plate	1	
8	050393	88 Rim Latch Tail Spring Pkg.	10	
9	090001	88 Rim Latch Bolt Axle Pkg.	4	
10	090002	88 Rim Center Case Rivet Pkg.	10	
11	090009	88-F Rim Gravity Dog Spring Pkg.	5	
12	090017	88-F Auxiliary Bolt Return Spring Pkg.	5	
13	900503	88 Center or End Case Mtg. Pkg. (CS and MS screws)		X
		10-24 x 1-1/2" OPHMS	4	
		10-24 x 2" OPHMS	4	
		10-12 x 10-24 x 2" OPHCS	4	
13	900504	88 Center or End Case Mtg. Pkg. (CS screws)		X
		10-12 x 10-24 x 2" OPHCS	4	
13	900505	88 Center or End Case Mtg. Pkg. (MS screws 1-3/4" door)		X
		10-24 x 1-1/2" OPHMS	4	
13	900506	88 Center or End Case Mtg. Pkg. (MS screws 2-1/4" door)		X
		10-24 x 2" OPHMS	4	
14	900610	88 Rim Latch Retainer Plate Screw Pkg.		
		10-24 x 5/16" PPHMS Thd. Cut	10	
15	900613	88 Backplate Screw Pkg.		
		8-32 x 3/8" PPH TF	4	

X in "Finish" column designates finished item; specify finish when ordering.

* For 88TP-F devices shipped after June 2000; for devices shipped before June 2000, use replacement part No. 050107.

CENTER CASE PARTS: K/L PANIC EXIT DEVICES

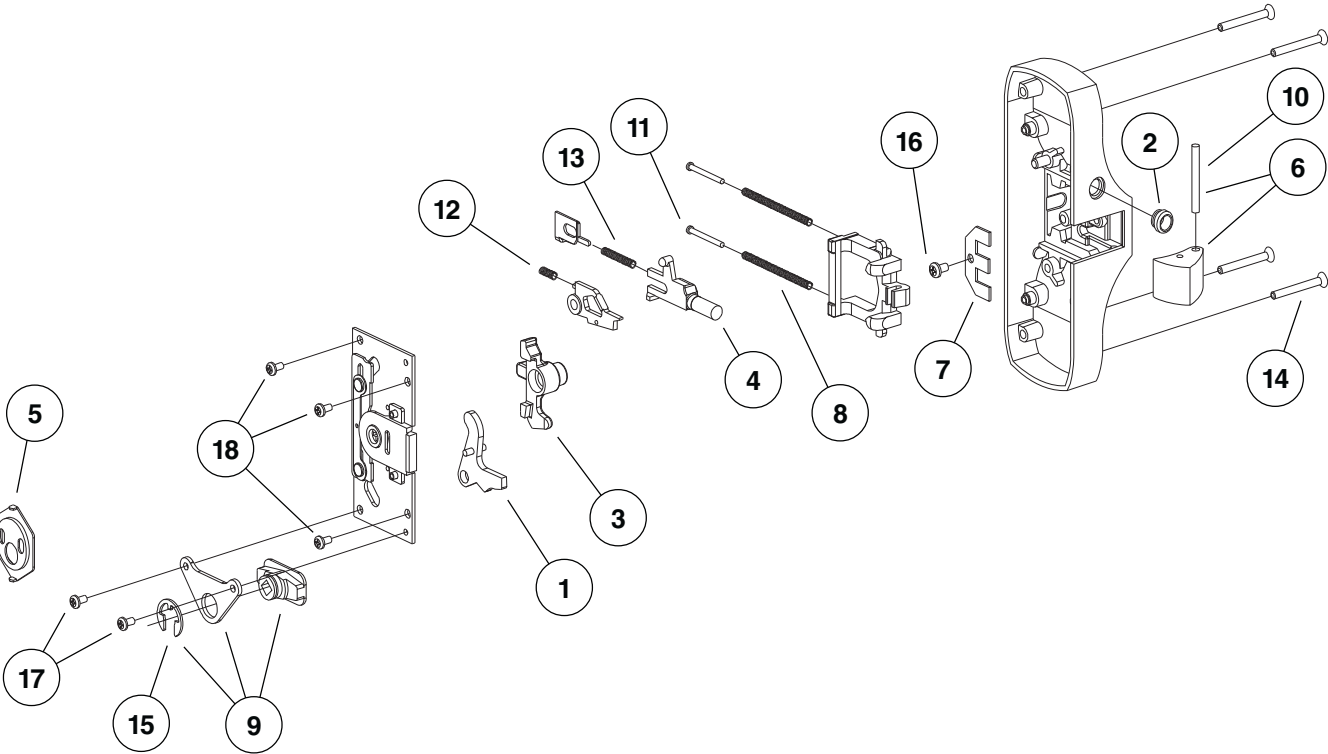


CENTER CASE PARTS: K/L PANIC EXIT DEVICES

Item No.	Part No.	Description	Quantity	Finish
1	050504	88K/L-F Knob Cam Lift	1	
2	050260	88 Rim Auxiliary Backplate		X
		88 Rim Auxiliary Backplate	1	
		8-32 x 5/16" PPHMS	2	
3	050331	88 Cylinder Anchor Plate	1	
4	050497	88 Latchbolt w/Axle Kit		
		88 Rim Latchbolt	1	
		88 Rim Latchbolt Axle	1	
5	050499	88 Rim Latch Retainer Plate	1	
6	050500	88 Rim Latch Tail, Spring, Rivet Kit		
		88 Rim Latch Tail Rivet	2	
		88 Rim Latch Tail Spring	2	
		88 Rim Latch Tail	1	
7	050393	88 Rim Latch Tail Spring Pkg.	10	
8	050501	88 Rim Master Cam	1	
9	050505	88K/L-F Cylinder Cam	1	
10	050506	88K/L-F Knob Cam Bracket Assy.	1	
11	090001	88 Rim Latch Bolt Axle Pkg.	4	
12	090002	88 Rim Center Case Rivet Pkg.	10	
13	900503	88 Center or End Case Mtg. Pkg. (CS and MS screws)		X
		10-24 x 1-1/2" OPHMS	4	
		10-24 x 2" OPHMS	4	
		10-12 x 10-24 x 2" OPHCS	4	
13	900504	88 Center or End Case Mtg. Pkg. (CS screws)		X
		10-12 x 10-24 x 2" OPHCS	4	
13	900505	88 Center or End Case Mtg. Pkg. (MS screws 1-3/4" door)		X
		10-24 x 1-1/2" OPHMS	4	
13	900506	88 Center or End Case Mtg. Pkg. (MS screws 2-1/4" door)		X
		10-24 x 2" OPHMS	4	
14	090015	88K/L-F Retaining Ring Pkg.	10	
15	900610	88 Rim Latch Retainer Plate Screw Pkg.		
		10-24 x 5/16" PPHMS Thd. Cut	10	
16	900613	88 Backplate Screw Pkg.		
		8-32 x 3/8" PPH TF	4	

X in "Finish" column designates finished item; specify finish when ordering.

CENTER CASE PARTS: K/L FIRE EXIT DEVICES



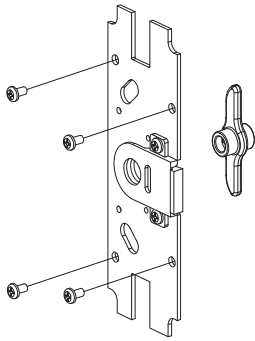
CENTER CASE PARTS: K/L FIRE EXIT DEVICES

Item No.	Part No.	Description	Quantity	Finish
1	050504	88K/L-F Knob Cam Lift	1	
2	050272	88-F Auxiliary Bolt Bushing	1	
3	050274	88-F Master Cam LH (shown)	1	
3	050273	88-F Master Cam RH (not shown)	1	
4	050276	88-F Auxiliary Bolt LH (shown)	1	
4	050275	88-F Auxiliary Bolt RH (not shown)	1	
5	050331	88 Cylinder Anchor Plate	1	
6	050498	88-F Latchbolt w/Axle Kit		
		88-F Rim Latchbolt	1	
		88 Rim Latchbolt Axle	1	
7	050499	88 Rim Latch Retainer Plate	1	
8	050393	88 Rim Latch Tail Spring Pkg.	10	
9	050506	88K/L-F Knob Cam Bracket Assy.	1	
10	090001	88 Rim Latch Bolt Axle Pkg.	4	
11	090002	88 Rim Center Case Rivet Pkg.	10	
12	090009	88-F Rim Gravity Dog Spring Pkg.	5	
13	090017	88-F Auxiliary Bolt Return Spring Pkg.	5	
14	900503	88 Center or End Case Mtg. Pkg. (CS and MS screws)		X
		10-24 x 1-1/2" OPHMS	4	
		10-24 x 2" OPHMS	4	
		10-12 x 10-24 x 2" OPHCS	4	
14	900504	88 Center or End Case Mtg. Pkg. (CS screws)		X
		10-12 x 10-24 x 2" OPHCS	4	
14	900505	88 Center or End Case Mtg. Pkg. (MS screws 1-3/4" door)		X
		10-24 x 1-1/2" OPHMS	4	
14	900506	88 Center or End Case Mtg. Pkg. (MS screws 2-1/4" door)		X
		10-24 x 2" OPHMS	4	
15	090015	88K/L-F Retaining Ring Pkg.	10	
16	900610	88 Rim Latch Retainer Plate Screw Pkg.		
		10-24 x 5/16" PPHMS Thd. Cut	10	
17	900613	88 Backplate Screw Pkg.		
		8-32 x 3/8" PPH TF	4	

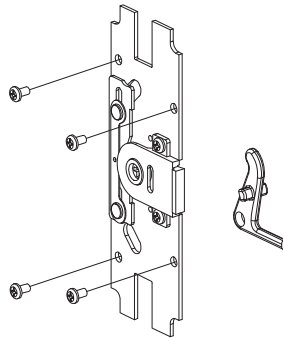
X in "Finish" column designates finished item; specify finish when ordering.

BACKPLATE CONVERSION KITS

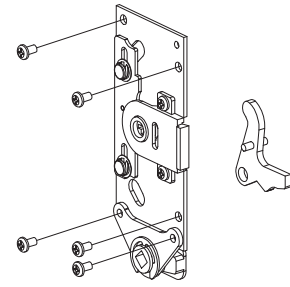
Specify Finish when Ordering Backplate Conversion Kits



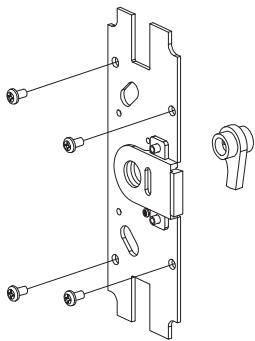
Description: 88CK-NL
Part No. 050101



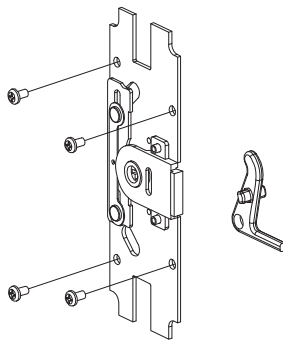
Description: 88CK-TP
Part No. 050102



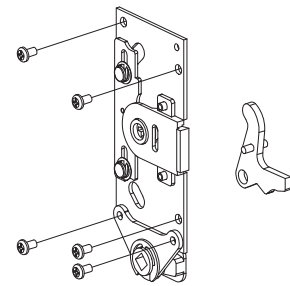
Description: 88CK-K/L
Part No. 050103



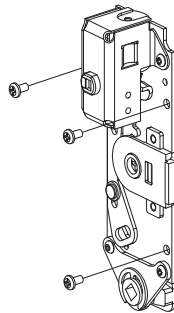
Description: 88CK-NL-F
Part No. 050106



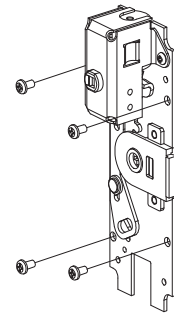
Description: 88CK-TP-F
Part No. 050107



Description: 88CK-K/L-F
Part No. 050108



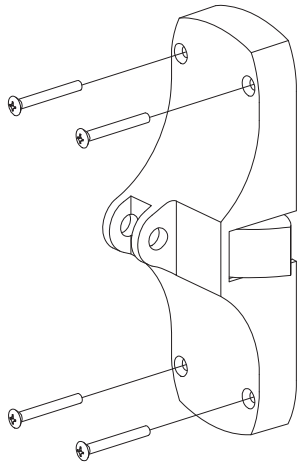
Description	Part No.
E88K RHR FSE 24VDC	050336
E88K LHR FSE 24VDC	050337
E88K RHR FS 24VDC	050338
E88K LHR FS 24VDC	050339
E88K RHR FSE 24VAC	050344
E88K LHR FSE 24VAC	050345
E88K RHR FS 24VAC	050346
E88K LHR FS 24VAC	050347



Description	Part No.
E88TP RHR FSE 24VDC	050341
E88TP LHR FSE 24VDC	050341
E88TP RHR FS 24VDC	050342
E88TP LHR FS 24VDC	050343
E88TP RHR FSE 24VAC	050348
E88TP LHR FSE 24VAC	050349
E88TP RHR FS 24VAC	050350
E88TP LHR FS 24VAC	050351

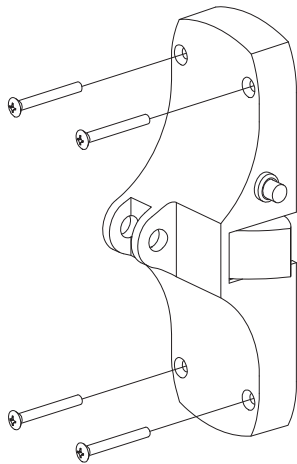
CENTER CASE KITS

Specify Finish when Ordering Center Case Kits



Panic Exit Device Center Case Kit
RHR shown

Description (Panic Exit Devices)	Part No.
88EO/DT/NL - - -	050409
88TP - - -	050410
88K/L RHR - -	050411
88K/L LHR - -	050412
E88K RHR FSE 24VDC	050336
E88K LHR FSE 24VDC	050337
E88K RHR FS 24VDC	050338
E88K LHR FS 24VDC	050339
E88K RHR FSE 24VAC	050344
E88K LHR FSE 24VAC	050345
E88K RHR FS 24VAC	050346
E88K LHR FS 24VAC	050347



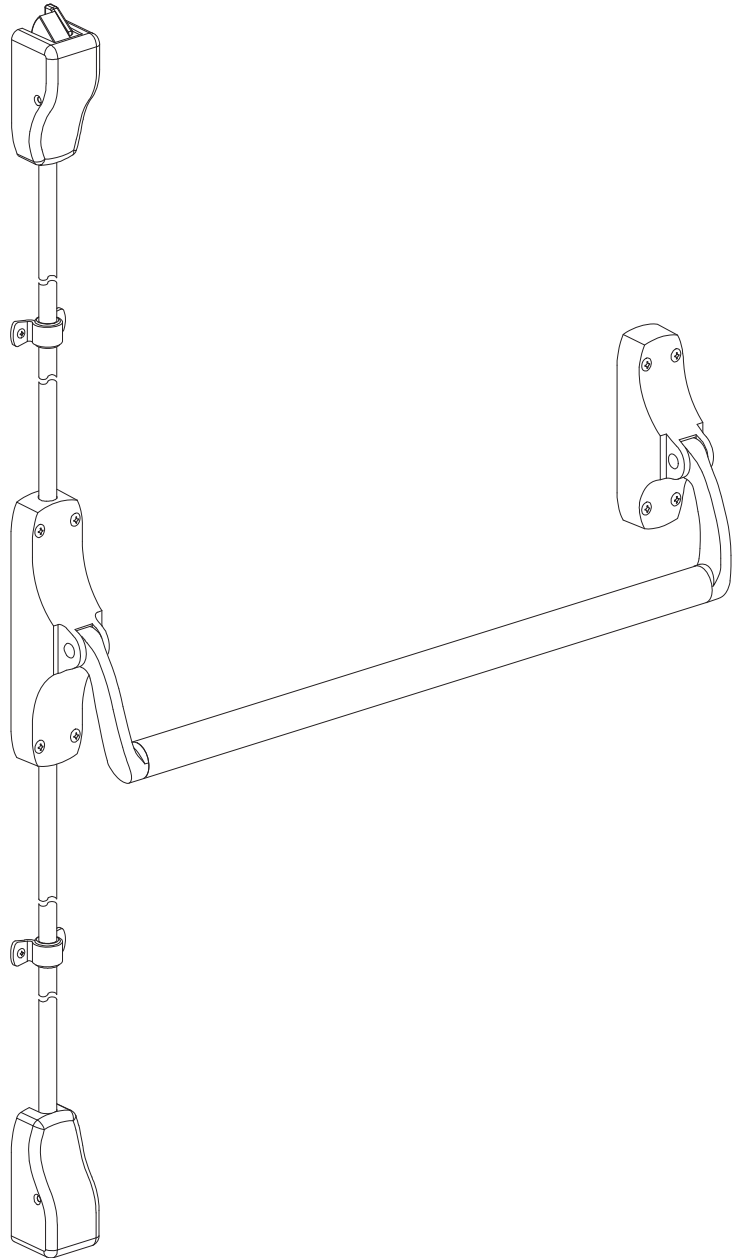
Fire Exit Device Center Case Kit
RHR shown

Description (Fire Exit Devices)	Part No.
88EO-F/NL-F RHR - -	050424
88EO-F/NL-F LHR - -	050425
88TP-F RHR - -	050426
88TP-F LHR - -	050427
88K/L-F RHR - -	050428
88K/L-F LHR - -	05029
E88K-F RHR FSE 24VDC	050311
E88K-F LHR FSE 24VDC	050312
E88K-F RHR FS 24VDC	050313
E88K-F LHR FS 24VDC	050314
E88TP-F RHR FSE 24VDC	050315
E88TP-F LHR FSE 24VDC	050316
E88TP-F RHR FS 24VDC	050317
E88TP-F LHR FS 24VDC	050318
E88K-F RHR FSE 24VAC	050319
E88K-F LHR FSE 24VAC	050320
E88K-F RHR FS 24VAC	050321
E88K-F LHR FS 24VAC	050322
E88TP-F RHR FSE 24VAC	050323
E88TP-F LHR FSE 24VAC	050324
E88TP-F RHR FS 24VAC	050325
E88TP-F LHR FS 24VAC	050326

VON DUPRIN®

8827 Surface Vertical Rod Series Exit Devices

Service manual



INDEX

General Information

Introduction	2
How to Order	2
Part Number Changes	2
8827 Series Finishes	3
Outside Trim Functions	3
Strikes	3

8827 Series Device Parts

Crossbars	4
Lever Arm Kits	5
Lever Arm Parts Packages	6
End Case Kit and End Case Parts	8
Backplate Conversion Kits	10
Center Case Parts: EO/EO-F, DT, TL/TL-F Exit Devices	10
Center Case Parts: K/K-F, K-NL/K-NL-F, L/L-F Exit Devices	11
Center Case Parts: TP/TP-F, TP-NL/TP-NL-F Exit Devices	12
Center Case Mounting Packages and Cylinder Anchor Plate	13
Center Case Kits	13
Latch Parts and Screw Packages	14
Latch Kits and Latch Cover Kits	15
Vertical Rods	16

INTRODUCTION

This manual contains a listing of replaceable parts and assemblies for the 8827 Series Panic and FEH Devices.

HOW TO ORDER

Some parts are sold separately. Other items are available as part of a kit or multiple quantity package. For the best possible service when ordering replacement parts or assemblies, please provide the following information:

- Part number or assembly number
- Description
- Quantity needed
- Finish desired (if available finished)
- Date of original purchase (if known)

To find out the name of your local Von Duprin distributor or sales representative, contact:

Von Duprin Division
Allegion
2720 Tobey Drive
Indianapolis, Indiana 46219
Phone: (877) 671-7011

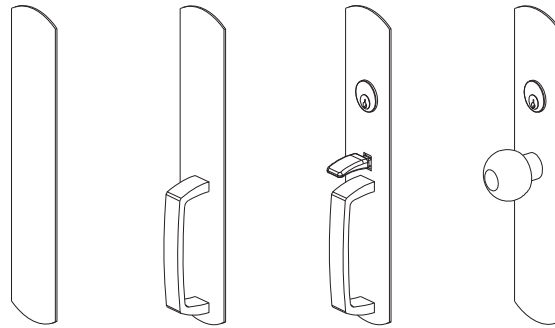
PART NUMBER AND AVAILABILITY CHANGES

This manual was designed to help illustrate the replacement parts and kits that are available for sale. Because of changes to the product and/or manufacturing process, part numbers and availability can change over time.

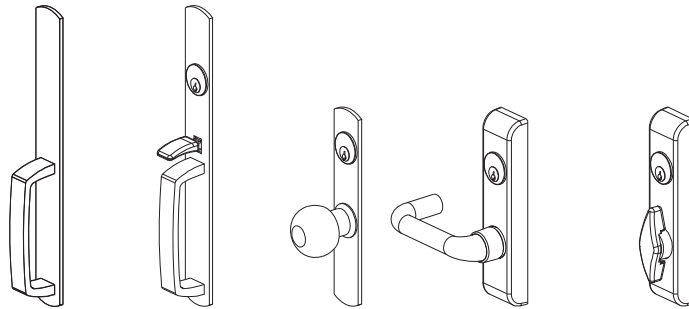
8827 SERIES FINISHES

US Number	BHMA Number	Color
US3	605	Brass, polished
US4	606	Brass, dull
US10	612	Bronze, dull
US10B	613	Brass, dull (oxidized)
US26	625	Chrome, polished
US26D	626	Chrome, dull
SPBLK	693	Gloss black powder

OUTSIDE TRIM FUNCTIONS

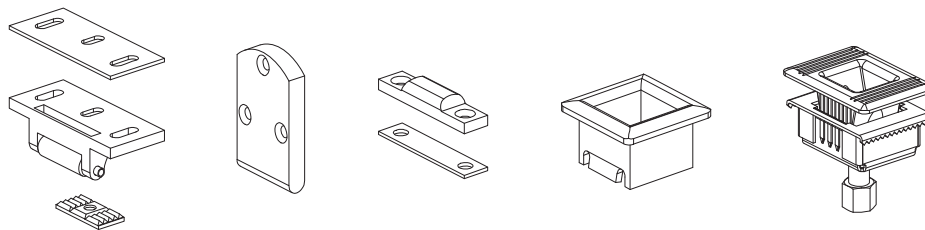


880EO 880DT 880TP 880K



608DT 608TP 606K 373L 377T

STRIKES

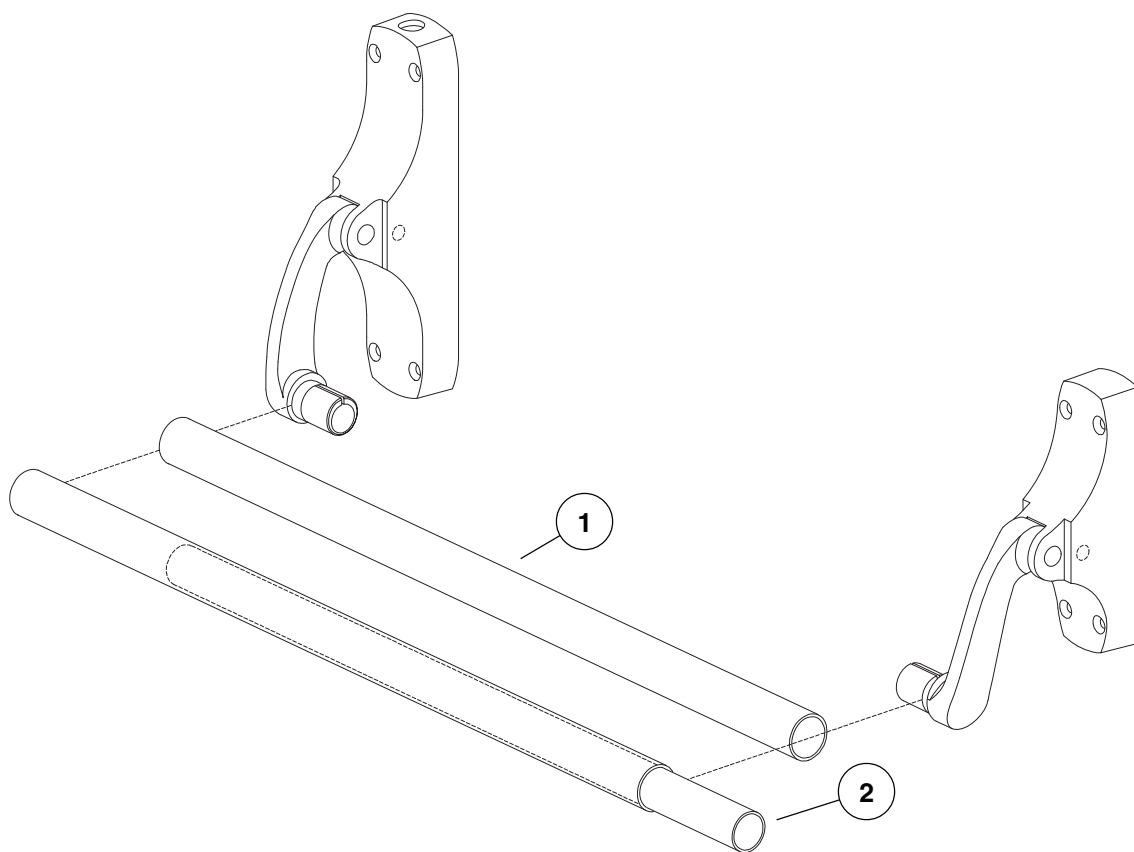


299 (top) 260U (top) 248L-4 (bottom) 304L (bottom) 385A (bottom)

CROSSBARS

Item No.	Part No.	Description	Quantity	Finish
1	050004	42" Standard Crossbar Kit	1	X
1	050005	42" Knurled Crossbar Kit	1	X
2	050459	37" Crossbar Reinforcement Kit	1	

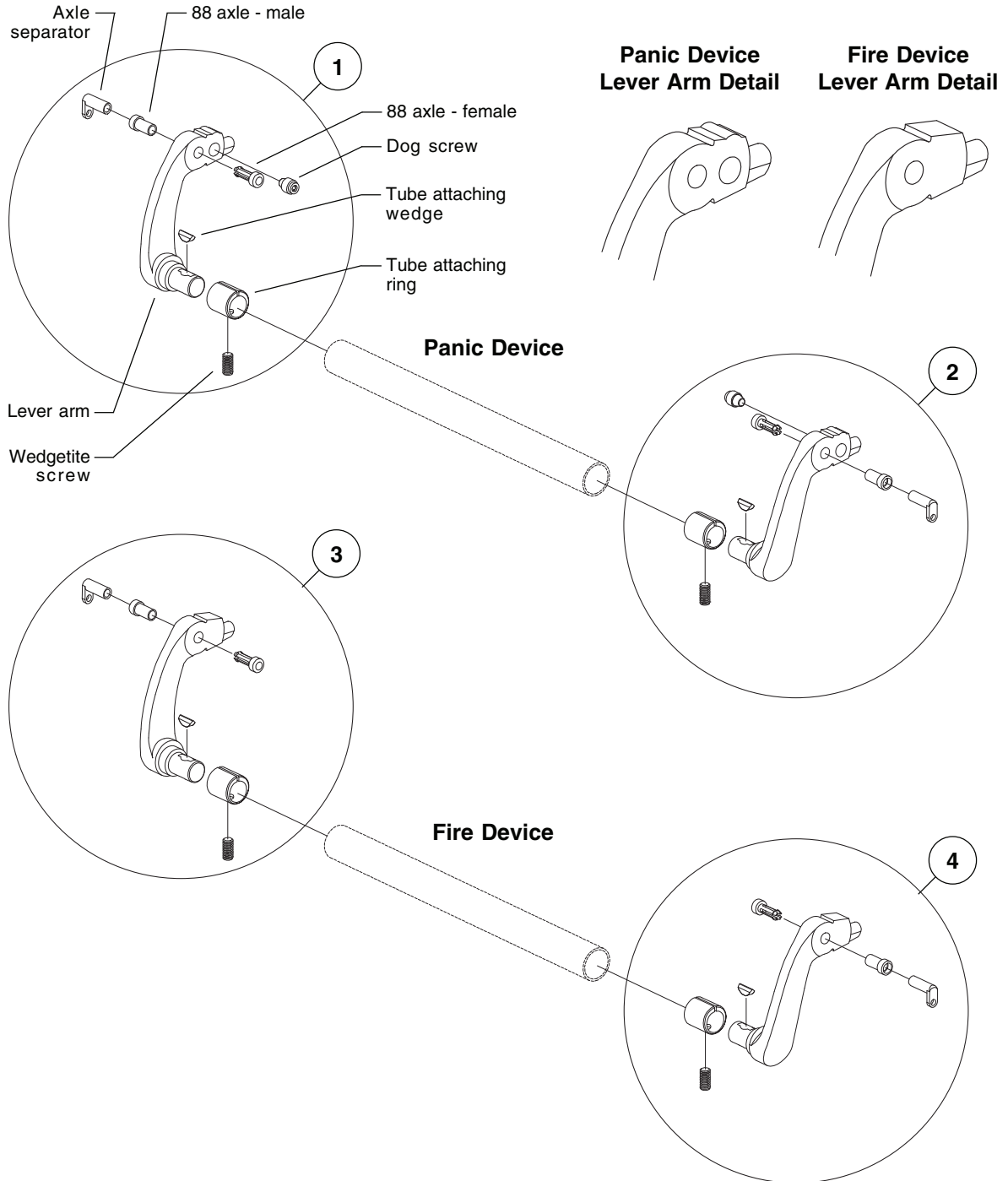
X in "Finish" column designates finished item; specify finish when ordering.



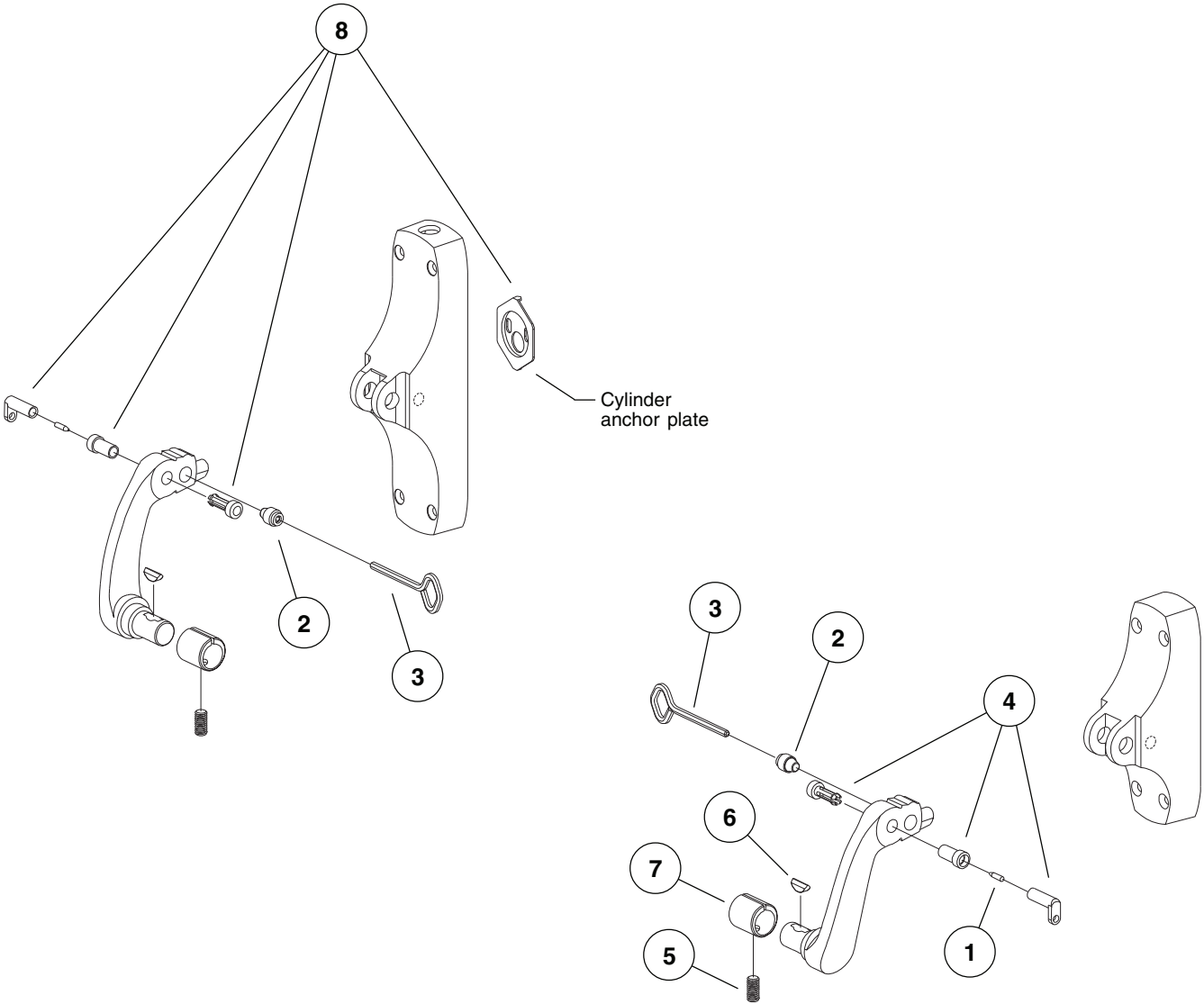
LEVER ARM KITS

Item No.	Part No.	Description	Quantity	Finish
1	050439	88 R/M/V LH Lever Arm Kit	1	X
2	050438	88 R/M/V RH Lever Arm Kit	1	X
3	050443	8827-F/47-F LH Lever Arm Kit	1	X
4	050442	8827-F/47-F RH Lever Arm Kit	1	X

X in "Finish" column designates finished item; specify finish when ordering.



LEVER ARM PARTS PACKAGES

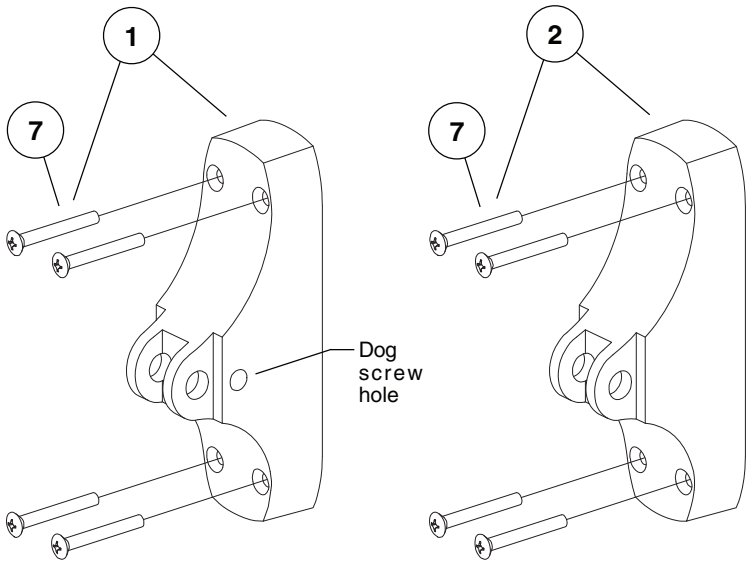


LEVER ARM PARTS PACKAGES

Item No.	Part No.	Description	Quantity	Finish
1	090007	Axle Security Pin Pkg.	10	
1	033022	Axle Security Pin Pkg.	50	
2	090004	Dog Screw Pkg.	2	
2	090083	Dog Screw Pkg.	10	
3	090005	227 Dog Key 5/32" Pkg.	2	
3	090085	227 Dog Key 5/32" Pkg.	10	
4	090006	88 Lever Arm Axles		
		88 Axle Separator	2	
		88 Axle - Male	2	
		88 Axle - Female	2	
4	090082	88 Lever Arm Axles		
		88 Axle Separator	10	
		88 Axle - Male	10	
		88 Axle - Female	10	
5	090008	Wedgetite Screw Pkg.	2	
5	090081	Wedgetite Screw Pkg.	30	
6	090020	Crossbar Tube Attaching Wedge Pkg.	2	
7	090021	Crossbar Tube Attaching Ring Pkg.	2	
8	103865	88 Lever Arm Axle Pkg.		
		Cyliner Anchor Plate	1	
		88 Axle Separator	1	
		88 Axle - Male	2	
		88 Axle - Female	2	

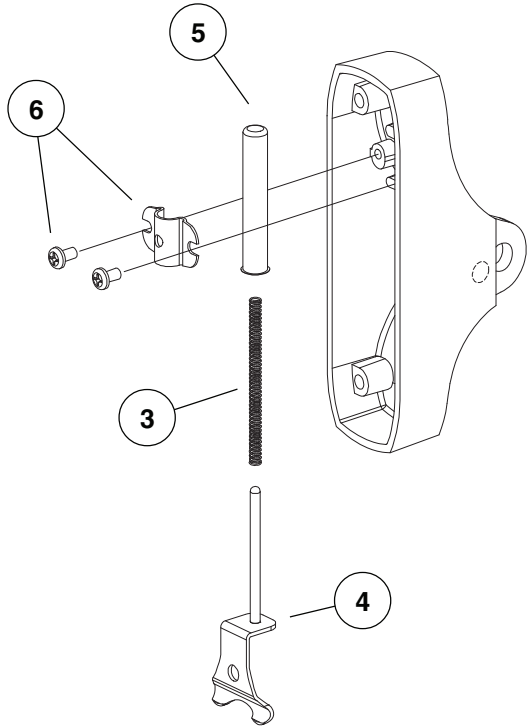
X in "Finish" column designates finished item; specify finish when ordering.

END CASE KIT AND END CASE PARTS



Panic Device

Fire Device

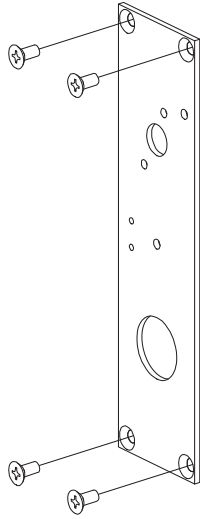


END CASE KIT AND END CASE PARTS

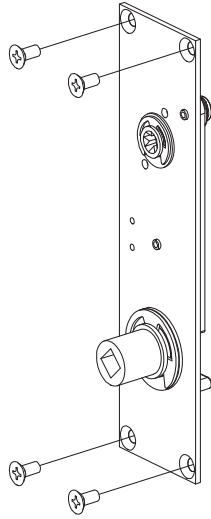
Item No.	Part No.	Description	Quantity	Finish
1	050435	88 R/M/V End Case Kit		X
		88 R/M/V End Case	1	
		10-24 x 1-1/2" OPHMS	4	
		10-24 x 2" OPHMS	4	
		10-12 x 10-24 x 2" OPHCS	4	
2	050436	8827-F/8875-F/8847-F End Case Kit		X
		88SV/CV/M-F End Case	1	
		10-24 x 1-1/2" OPHMS	4	
		10-24 x 2" OPHMS	4	
		10-12 x 10-24 x 2" OPHCS	4	
3	090003	88 End Case Spring Pkg.	2	
3	090080	88 End Case Spring Pkg.	10	
4	050451	88 End Case Spring Stop Kit	1	
5	050476	88/88-F End Case Spring Tube	1	
6	050477	88/88-F Spring Tube Bracket w/Screws Kit		
		88/88-F Spring Tube Bracket	1	
		88/88-F Spring Tube Bracket Screws	2	
7	900503	88 Center or End Case Mtg. Pkg. (CS and MS screws)		X
		10-24 x 1-1/2" OPHMS	4	
		10-24 x 2" OPHMS	4	
		10-12 x 10-24 x 2" OPHCS	4	
7	900504	88 Center or End Case Mtg. Pkg. (CS screws)		X
		10-12 x 10-24 x 2" OPHCS	4	
7	900505	88 Center or End Case Mtg. Pkg. (MS screws 1-3/4" door)		X
		10-24 x 1-1/2" OPHMS	4	
7	900506	88 Center or End Case Mtg. Pkg. (MS screws 2-1/4" door)		X
		10-24 x 2" OPHMS	4	

X in "Finish" column designates finished item; specify finish when ordering.

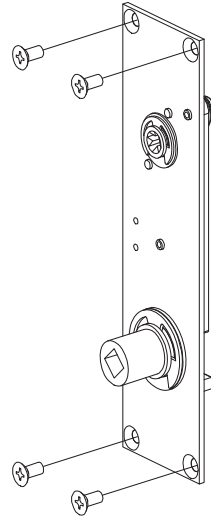
BACKPLATE CONVERSION KITS



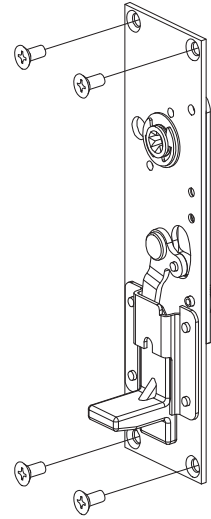
8827CK-EO/DT/TL
Part No. 050447



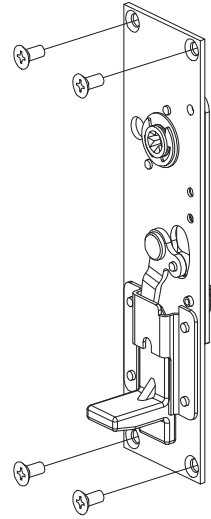
8827CK-K/L-K/L-F
Part No. 050200



8827CK-K-NL/K-NL-F
Part No. 050201



8827CK-TP/TP-F
Part No. 050104

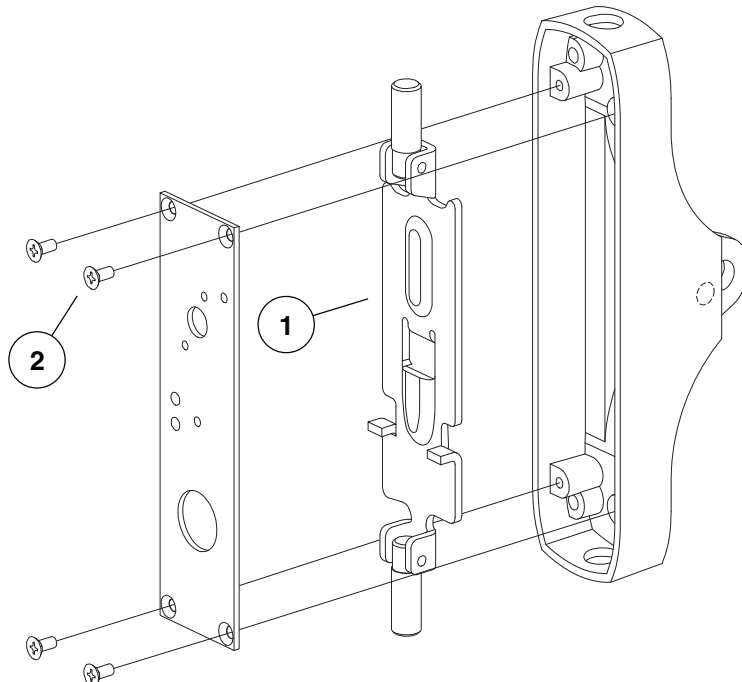


8827CK-TP-NL/TP-NL-F
Part No. 050202

CENTER CASE PARTS: EO/EO-F, DT, TL/TL-F EXIT DEVICES

Item No.	Part No.	Description	Quantity	Finish
1	050446	8827/27-F Rod Control	1	
2	900615	8827 Backplate Screw Pkg.		
		#8-32 x 3/8" UFPHMS	4	

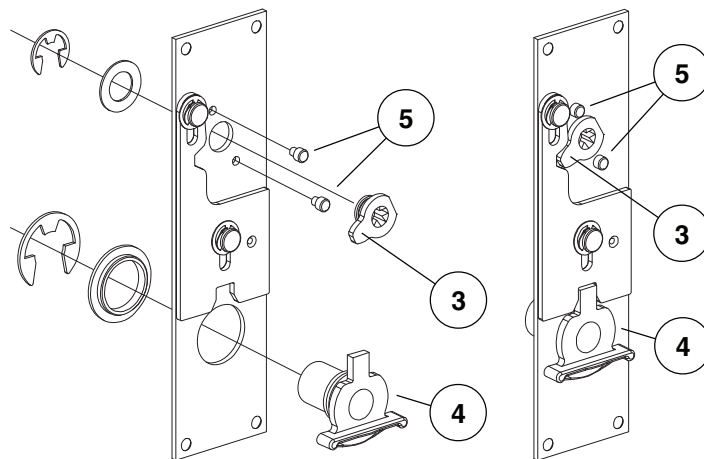
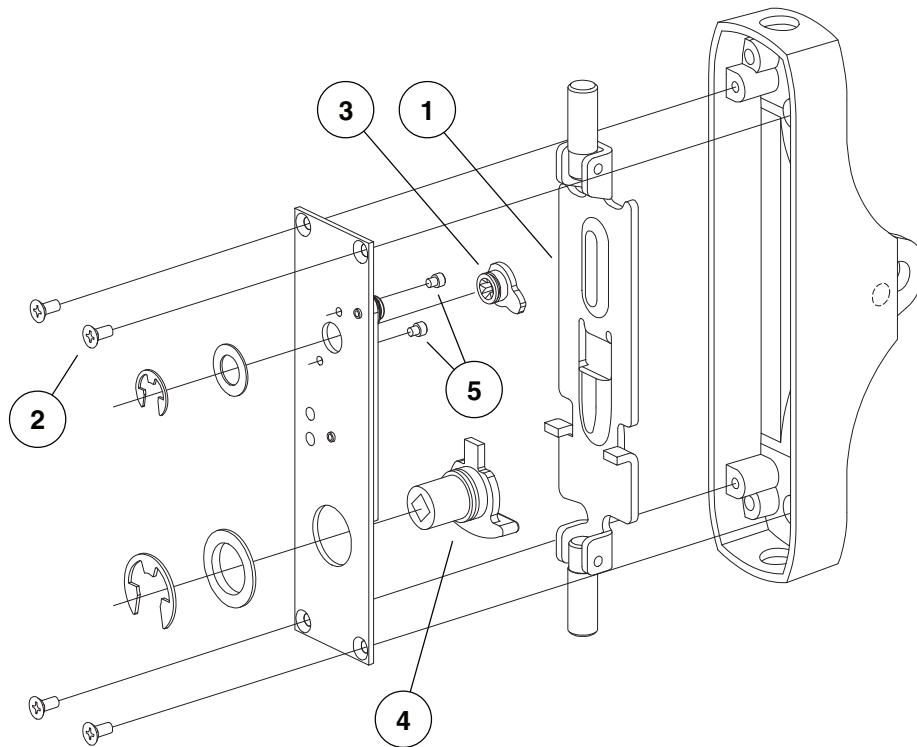
X in "Finish" column designates finished item; specify finish when ordering.



CENTER CASE PARTS: K/K-F, K-NL/K-NL-F, L/L-F EXIT DEVICES

Item No.	Part No.	Description	Quantity	Finish
1	050260	8827/27-F Rod Control	1	
2	900615	8827 Backplate Screw Pkg.		
		#8-32 x 3/8" UFPHMS	4	
3	050448	8827K/K-NL/TP/TP-NL/-F Cylinder Cam	1	
4	050449	8827K/K-NL/-F Knob Hub	1	
5	090012	8827K-NL/TP-NL Backplate Pin Pkg. (for K-NL only)	2	

X in "Finish" column designates finished item; specify finish when ordering.

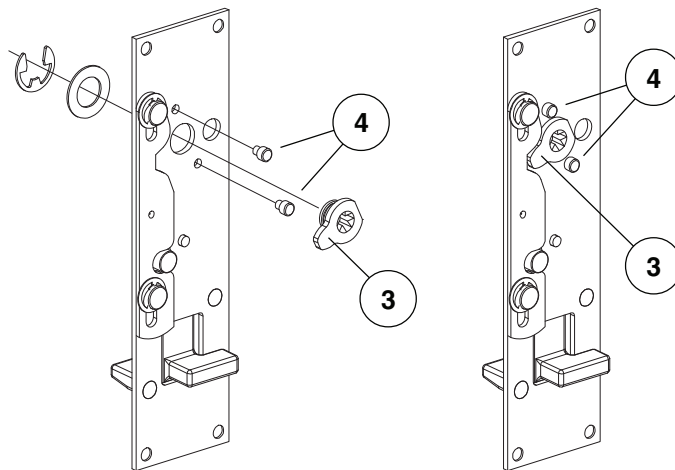
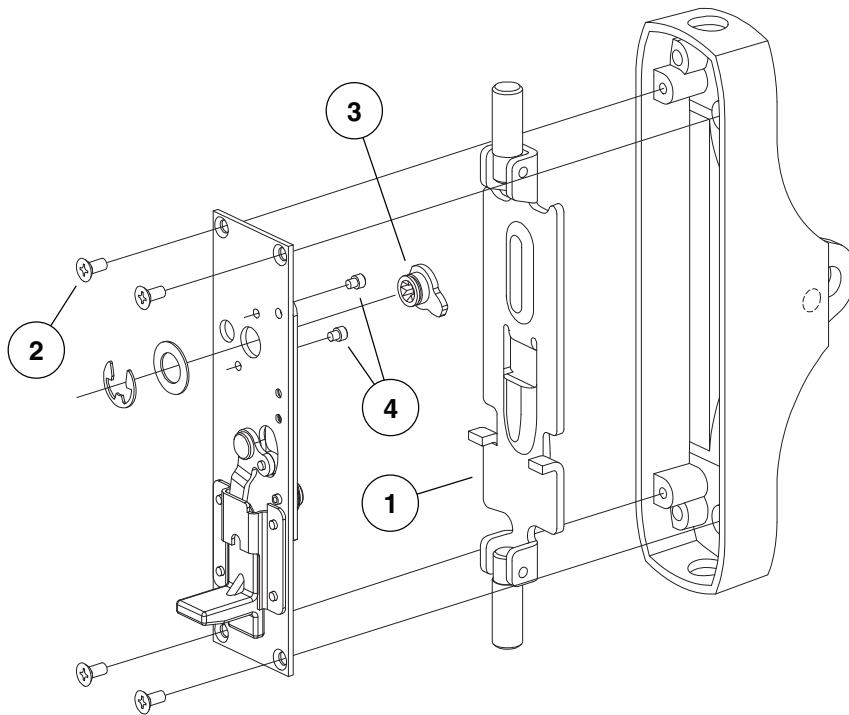


Rear View of Backplate Showing Cylinder Cam and Knob Hub Installation

CENTER CASE PARTS: TP/TP-F, TP-NL/TP-NL-F EXIT DEVICES

Item No.	Part No.	Description	Quantity	Finish
1	050446	8827/27-F Rod Control	1	
2	900615	8827 Backplate Screw Pkg.		
		#8-32 x 3/8" UFPHMS	4	
3	050448	8827K/K-NL/TP/TP-NL-F Cylinder Cam	1	
4	090012	8827K-NL/TP-NL Backplate Pin Pkg. (for TP-NL only)	2	

X in "Finish" column designates finished item; specify finish when ordering.

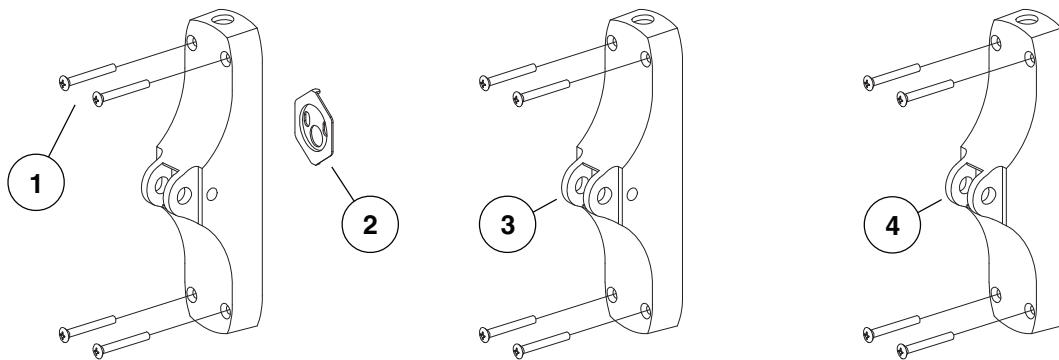


Rear View of Backplate Showing Cylinder Cam and Backplate Pin Installation

CENTER CASE MOUNTING PACKAGES AND CYLINDER ANCHOR PLATE

Item No.	Part No.	Description	Quantity	Finish
1	900503	88 Center or End Case Mtg. Pkg. (CS and MS screws)		X
		10-24 x 1-1/2" OPHMS	4	
		10-24 x 2" OPHMS	4	
		10-12 x 10-24 x 2" OPHCS	4	
1	900504	88 Center or End Case Mtg. Pkg. (CS screws)		X
		10-12 x 10-24 x 2" OPHCS	4	
1	900505	88 Center or End Case Mtg. Pkg. (MS screws 1-3/4" door)		X
		10-24 x 1-1/2" OPHMS	4	
1	900506	88 Center or End Case Mtg. Pkg. (MS screws 2-1/4" door)		X
		10-24 x 2" OPHMS	4	
2	050331	88 Cylinder Anchor Plate	1	

X in "Finish" column designates finished item; specify finish when ordering.



CENTER CASE KITS (includes Mounting Package part No. 500503)

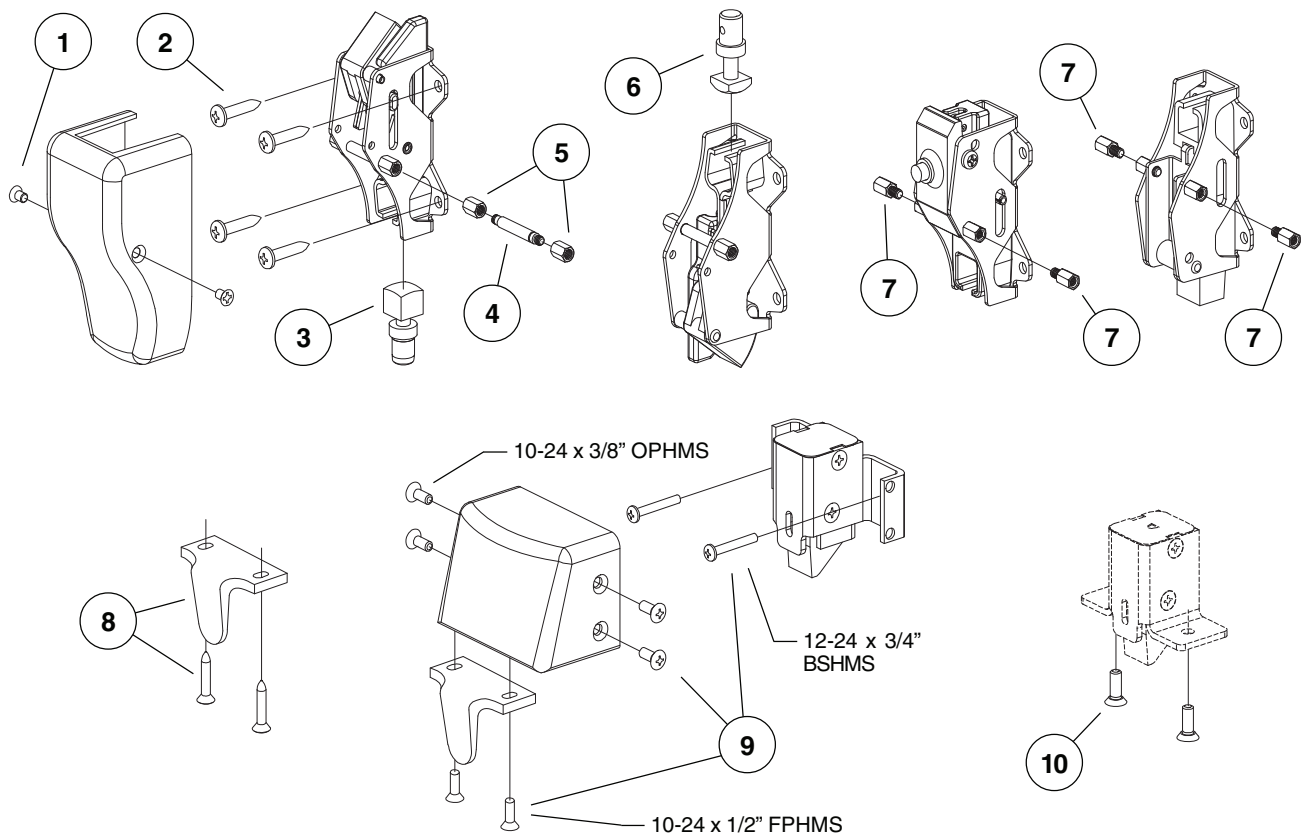
Item No.	Part No.	Description	Quantity	Finish
3	050415	8827EO/DT/TL Center Case Kit	1	X
3	050416	8827TP Center Case Kit	1	X
3	050417	8827K/L Center Case Kit	1	X
3	050418	8827TP-NL Center Case Kit	1	X
3	050419	8827K-NL Center Case Kit	1	X
4	050430	8827EO-F/TL-F Center Case Kit	1	X
4	050431	8827TP-F Center Case Kit	1	X
4	050432	8827K/L-F Center Case Kit	1	X
4	050433	8827TP-NL-F Center Case Kit	1	X
4	050434	8827K-NL-F Center Case Kit	1	X

X in "Finish" column designates finished item; specify finish when ordering.

LATCH PARTS AND SCREW PACKAGES

Item No.	Part No.	Description	Quantity	Finish
1	900850	8827 Latch Case Cover Screw Package		X
		8-32 x 1/4" UFPHMS	2	
2	900501	8827 Latch Case Mounting Package		
		10-12 x 10-24 x 1" BPHCS	4	
3	050279	8827 LR Top Rod Connector	1	
4	050328	8827 Chassis Tie Rod	1	
5	050277	8827 Latch Special Chassis Nut	1	
6	050327	8827 LR Bottom Rod Connector	1	
7	050478	8827-F Special Chassis Hex Stud	1	
8	107765	8827-F Plunger Release Bracket	1	X
9	900852	8827-F Flush Transom Latch Screw Pkg.		X
		10-24 x 1/2" FPHMS	2	
		10-24 x 3/8" OPHMS	4	
		12-24 x 3/4" BSMHS	2	
10	900502	8827/47-F Soffit Latch Mounting Package		
		12-24 x 1/2" UFPHMS	2	

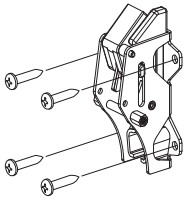
X in "Finish" column designates finished item; specify finish when ordering.



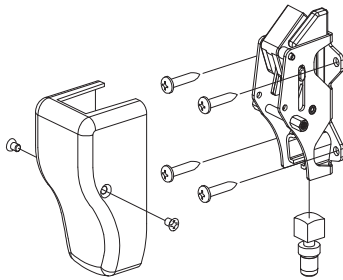
LATCH KITS AND LATCH COVER KITS

Specify Finish when Ordering Latch Kits with Covers and Latch Cover Kits

8827 LR Top Latch Kit

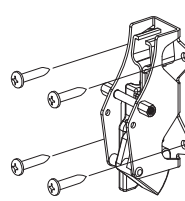


Less Cover
Part No. 050460

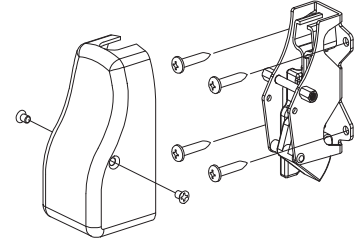


With Cover
Part No. 050466

8827 LR Bottom Latch Kit

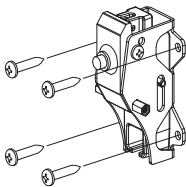


Less Cover
Part No. 050461

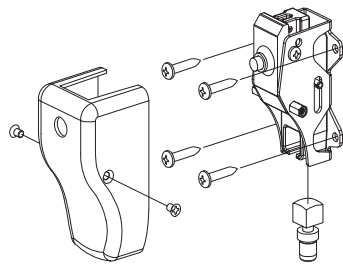


With Cover
Part No. 050467

8827-F Top Latch Kit

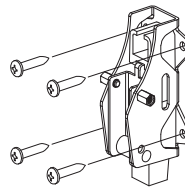


Less Cover
Part No. 050462

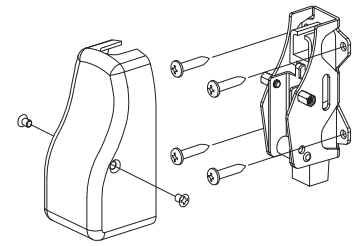


With Cover
Part No. 050468

8827-F Bottom Latch Kit

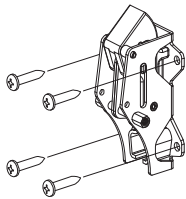


Less Cover
Part No. 050463

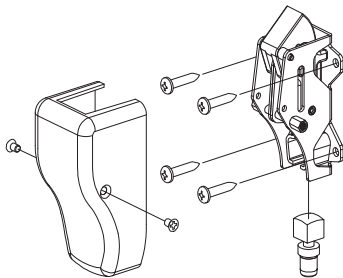


With Cover
Part No. 050469

8827 PL Top Latch Kit

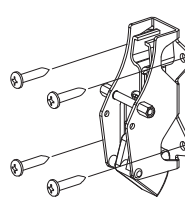


Less Cover
Part No. 050471

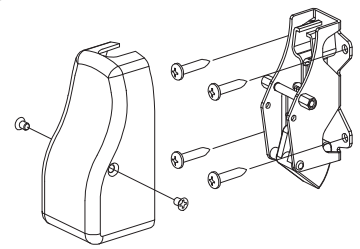


With Cover
Part No. 050473

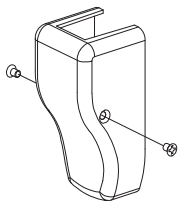
8827 PL Bottom Latch Kit



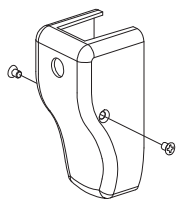
Less Cover
Part No. 050472



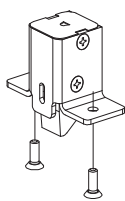
With Cover
Part No. 050479



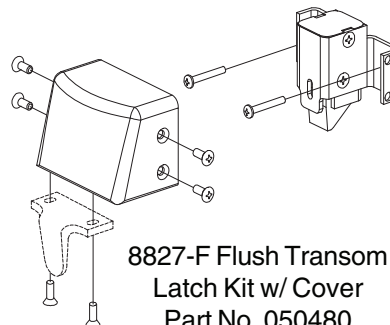
8827 Latch
Cover Kit
Part No. 050464



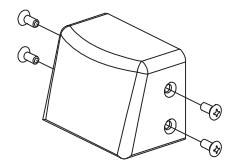
8827-F Top Latch
Cover Kit
Part No. 050465



8827-F/47-F
Soffit Latch Kit
Part No. 114141



8827-F Flush Transom
Latch Kit w/ Cover
Part No. 050480

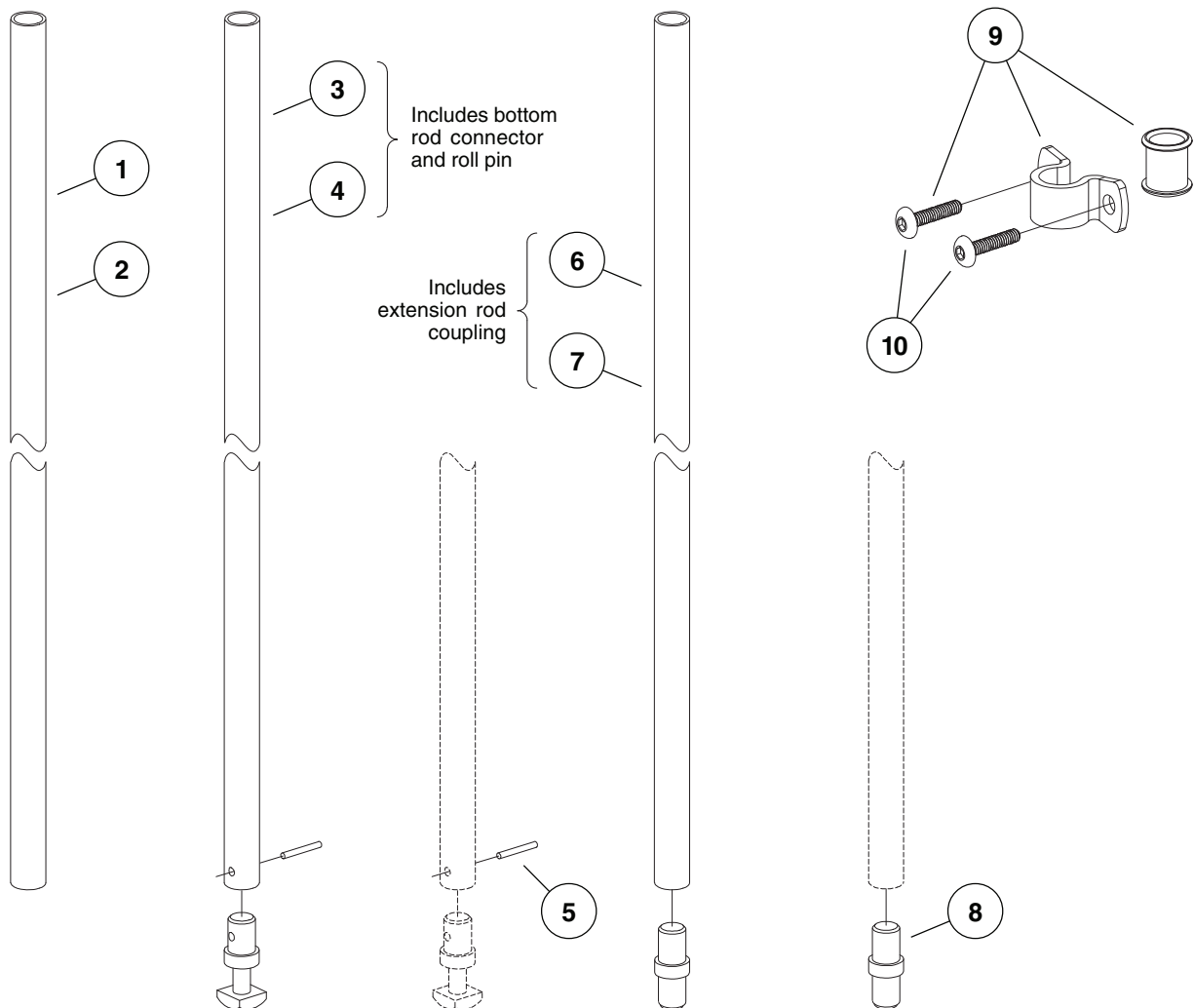


8827-F Flush Transom
Latch Cover Kit
Part No. 050481

VERTICAL RODS

Item No.	Part No.	Description	Quantity	Finish
1	050453	8827 Top Rod Kit	1	X
2	050454	8827-F Top Rod Kit	1	X
3	050455	8827 Bottom Rod Kit	1	X
4	050456	8827-F Bottom Rod Kit	1	X
5	090010	8827/27-F Bottom Rod Roll Pin Pkg.	10	
6	051701	8827 12" Extension Rod Kit	1	X
7	051703	8827 24" Extension Rod Kit	1	X
8	050093	8827 Extension Rod Coupling	1	
9	050482	8827 Rod Guide Kit	1	X
10	900534	8827 Rod Guide Mounting Pkg.		X
		10-12 x 10-24 x 1 PTHCS	2	

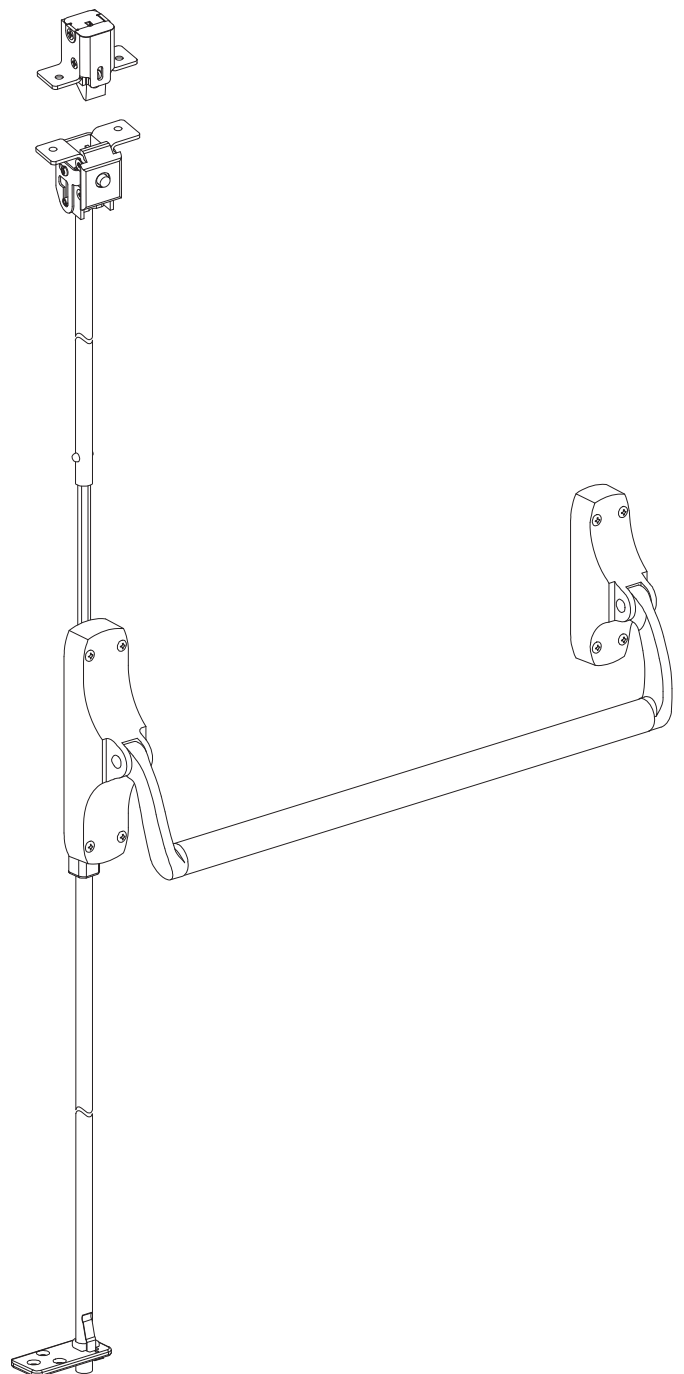
X in "Finish" column designates finished item; specify finish when ordering.



VON DUPRIN®

8847-F
Concealed
Vertical Rod
Exit Devices

Service manual



INDEX

General Information

Introduction	2
How to Order	2
Part Number Changes	2
8847-F Series Finishes	3
Outside Trim Functions	3
Strikes	3

8847-F Series Device Parts

Crossbars	4
Lever Arm Kits	4
Lever Arm Parts Packages	5
End Case Kit and End Case Parts	6
Center Case Kits and Center Case Parts	7
Vertical Latch Parts	8
Vertical Rods	8

INTRODUCTION

This manual contains a listing of replaceable parts and assemblies for the 8847-F Series Devices.

HOW TO ORDER

Some parts are sold separately. Other items are available as part of a kit or multiple quantity package. For the best possible service when ordering replacement parts or assemblies, please provide the following information:

- Part number or assembly number
- Description
- Quantity needed
- Finish desired (if available finished)
- Date of original purchase (if known)

To find out the name of your local Von Duprin distributor or sales representative, contact:

Von Duprin Division
Allegion
2720 Tobey Drive
Indianapolis, Indiana 46219
Phone: (877) 671-7011

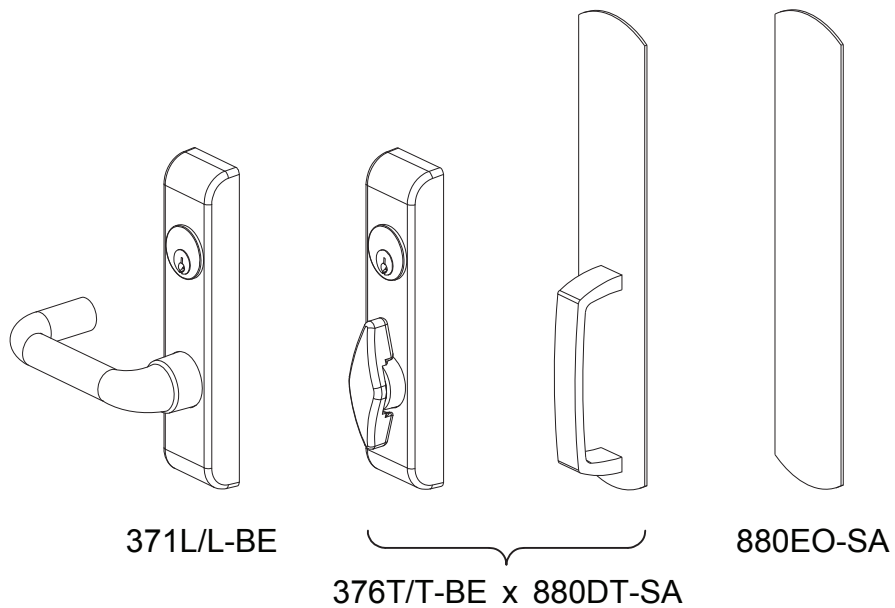
PART NUMBER AND AVAILABILITY CHANGES

This manual was designed to help illustrate the replacement parts and kits that are available for sale. Because of changes to the product and/or manufacturing process, part numbers and availability can change over time.

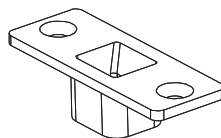
8847-F SERIES FINISHES

US Number	BHMA Number	Color
US3	605	Brass, polished
US3A	---	Brass, polished - no lacquer
US4	606	Brass, satin
US4A	---	Brass, satin - no lacquer
US10	612	Bronze, satin
US10B	613	Bronze, oil-rubbed satin
US26	625	Chrome, polished
US26D	626	Chrome satin
SPBLK	693	Black, painted

OUTSIDE TRIM FUNCTIONS



STRIKES

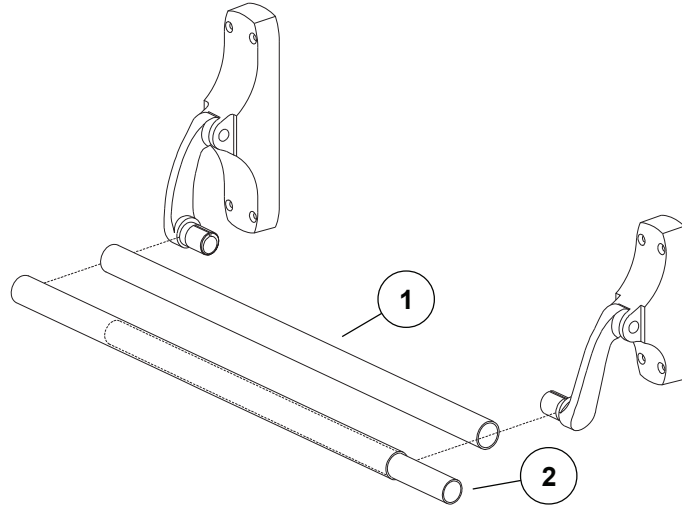


301L (bottom)

CROSSBARS

Item No.	Quantity	Part No.	Description	Finish
1	1	050004	42" Standard Crossbar Kit	X
1	1	050005	42" Knurled Crossbar Kit	X
2	1	050459	37" Crossbar Reinforcement Kit	

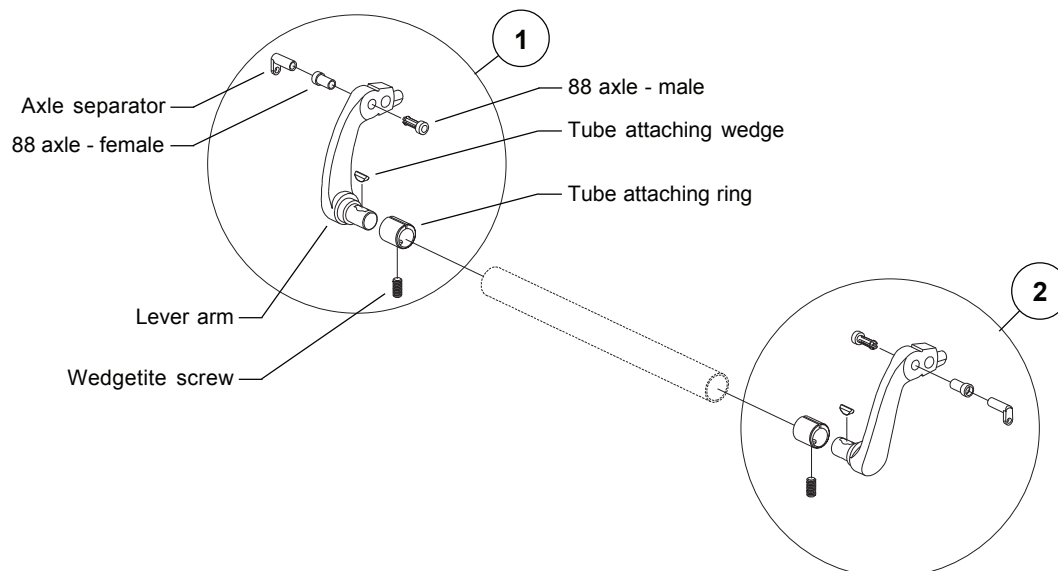
X in "Finish" column designates finished item; specify finish when ordering.



LEVER ARM KITS

Item No.	Quantity	Part No.	Description	Finish
1	1	050443	8827-F/47-F LH Lever Arm Kit	X
2	1	050442	8827-F/47-F RH Lever Arm Kit	X

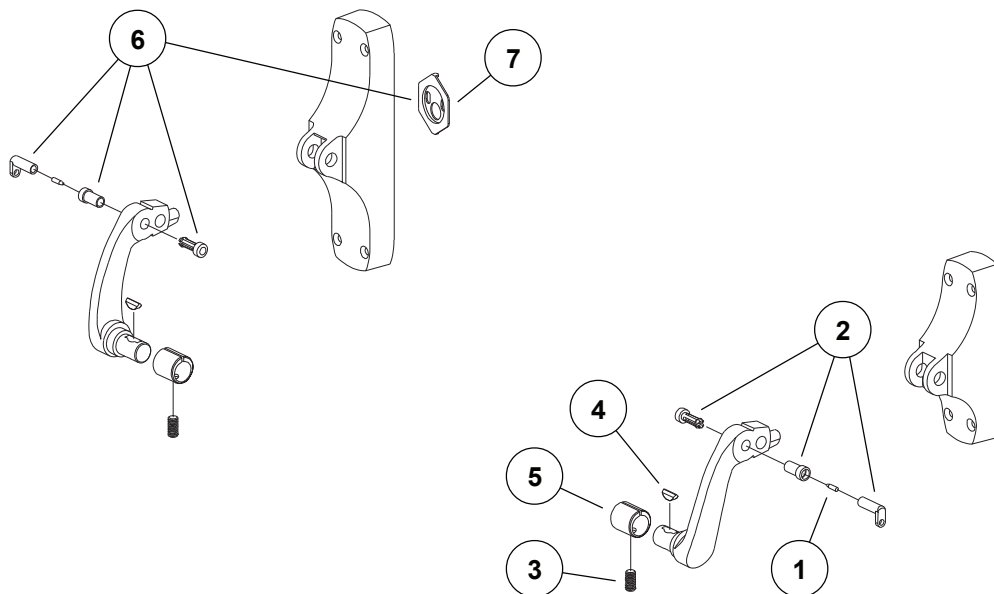
X in "Finish" column designates finished item; specify finish when ordering.



LEVER ARM PARTS PACKAGES

Item No.	Quantity	Part No.	Description	Finish
1	2	090007	Axle Security Pin (Pkg of 10)	
1	2	033022	Axle Security Pin (Pkg of 50)	
2	2	090006	88 Lever Arm Axles (Pkg of 2)	
			88 Axle Separator	
			88 Axle - Male	
			88 Axle - Female	
2	2	090082	88 Lever Arm Axles (Pkg of 10)	
			88 Axle Separator	
			88 Axle - Male	
			88 Axle - Female	
3	2	090008	Wedgetite Screws (Pkg of 2)	
3	2	090081	Wedgetite Screws (Pkg of 30)	
4	2	090020	Crossbar Tube Attaching Wedge (Pkg of 2)	
5	2	090021	Crossbar Tube Attaching Ring (Pkg of 2)	
6	1	103865	88 Lever Arm Axle Pkg	
			Cylinder Anchor Plate	
			88 Axle Separator	
			88 Axle - Male	
			88 Axle - Female	
7	1	050331	88 Cylinder Anchor Plate	

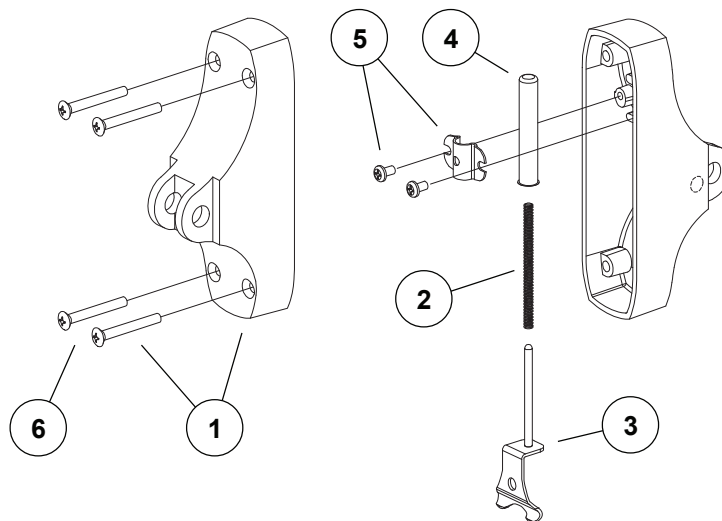
X in "Finish" column designates finished item; specify finish when ordering.



END CASE KIT AND END CASE PARTS

Item No.	Quantity	Part No.	Description	Finish
1	1	050436	8827-F/8875-F/8847-F End Case Kit	X
			88SV/CV/M-F End Case	
			10-24 x 1-1/2" OPHMS (Qty 4)	
			10-24 x 2" OPHMS (Qty 4)	
			10-12 x 10-24 x 2" OPHCS (Qty 4)	
2	1	090003	88 End Case Spring (Pkg of 2)	
2	1	090080	88 End Case Spring (Pkg of 10)	
3	1	050451	88 End Case Spring Stop Kit	
4	1	050476	88/88-F End Case Spring Tube	
5	1	050477	88/88-F Spring Tube Bracket w/ Screws Kit	
			88/88-F Spring Tube Bracket	
			88/88-F Spring Tube Bracket Screws (Qty 2)	
6	2	900503	88 Center or End Case Mtg. Pkg. (CS and MS screws)	X
			10-24 x 1-1/2" OPHMS (Qty 4)	
			10-24 x 2" OPHMS (Qty 4)	
			10-12 x 10-24 x 2" OPHCS (Qty 4)	
6	2	900504	88 Center or End Case Mtg. Pkg. (CS screws)	X
			10-12 x 10-24 x 2" OPHCS (Qty 4)	
6	2	900505	88 Center or End Case Mtg. Pkg. (MS screws 1-3/4" door)	X
			10-24 x 1-1/2" OPHMS (Qty 4)	
6	2	900506	88 Center or End Case Mtg. Pkg. (MS screws 2-1/4" door)	X
			10-24 x 2" OPHMS (Qty 4)	

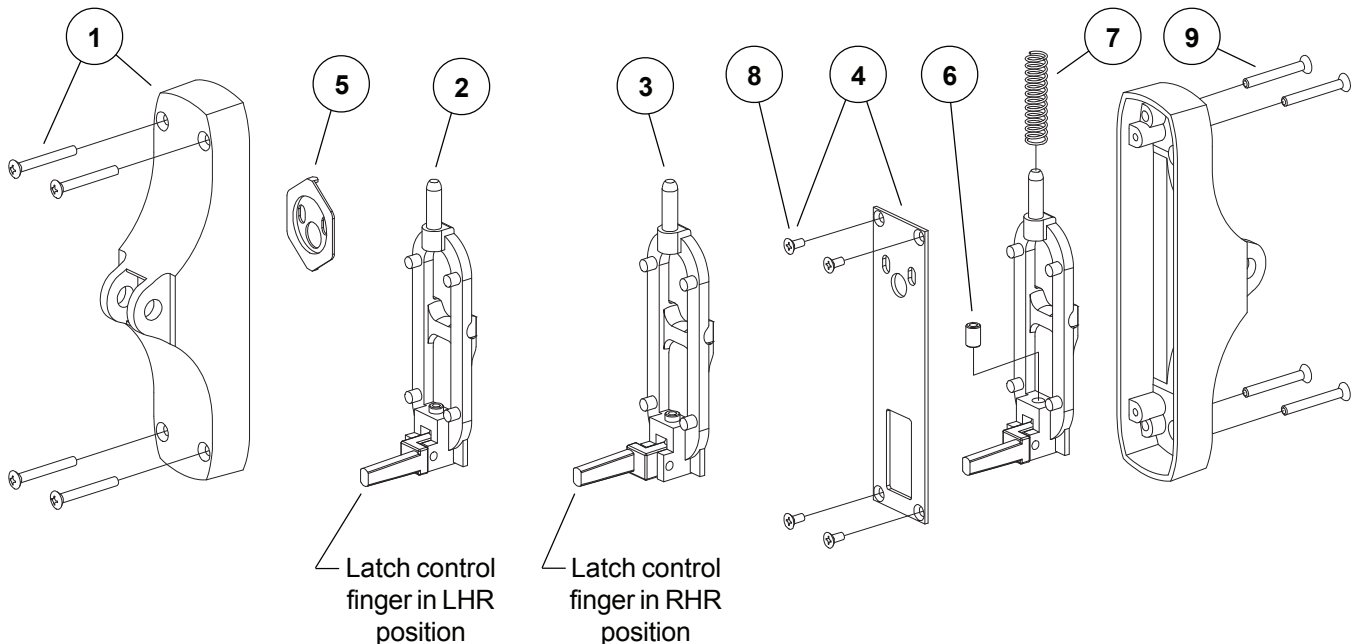
X in "Finish" column designates finished item; specify finish when ordering.



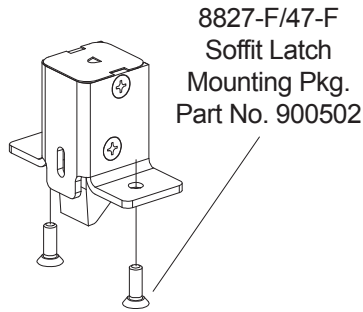
CENTER CASE KITS AND CENTER CASE PARTS

Item No.	Quantity	Part No.	Description	Finish
1	1	050422	8847-F RHR Center Case Kit	X
1	1	050423	8847-F LHR Center Case Kit	X
2	1	050209	8847-F/75/75-F Latch Control LH	
3	1	050210	8847-F/75/75-F Latch Control RH	
4	1	050211	8847-F/75/75-F Backplate w/ Screws	
5	1	050331	88 Cylinder Anchor Plate	
6	1	090013	8847-F/75-F Flat Point Set Screw (Pkg of 5)	
7	1	090014	8847-F/75/75-F Center Case Spring (Pkg of 2)	
8	1	900615	8827 Backplate Screw Pkg. (Qty 4)	
9	2	900503	88 Center or End Case Mtg. Pkg. (CS and MS screws)	X
			10-24 x 1-1/2" OPHMS (Qty 4)	
			10-24 x 2" OPHMS (Qty 4)	
			10-12 x 10-24 x 2" OPHCS (Qty 4)	
9	2	900504	88 Center or End Case Mtg. Pkg. (CS screws)	X
			10-12 x 10-24 x 2" OPHCS (Qty 4)	
9	2	900505	88 Center or End Case Mtg. Pkg. (MS screws 1-3/4" door)	X
			10-24 x 1-1/2" OPHMS (Qty 4)	
9	2	900506	88 Center or End Case Mtg. Pkg. (MS screws 2-1/4" door)	X
			10-24 x 2" OPHMS (Qty 4)	

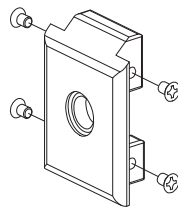
X in "Finish" column designates finished item; specify finish when ordering.



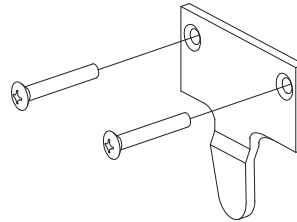
VERTICAL LATCH PARTS



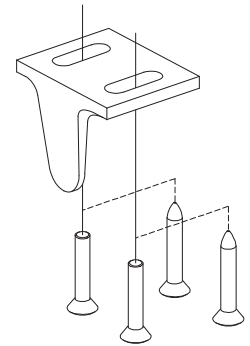
8827-F/47-F
Soffit Latch
Mounting Pkg.
Part No. 900502



8847-F Release Guide
Cover with Screws
Part No. 050278
(specify finish)



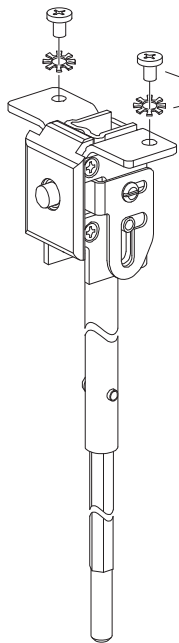
8847-F Flush Transom
Release Bracket Pkg.
Part No. 900614
(specify finish)



8847-F Plunger Release
Bracket Pkg.
Part No. 900576
(specify finish)

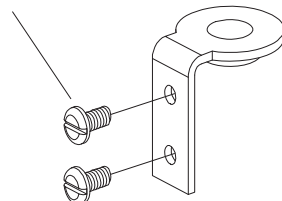
8827-F/47-F Soffit
Latch Kit
(includes screws)
Part No. 114141

VERTICAL RODS

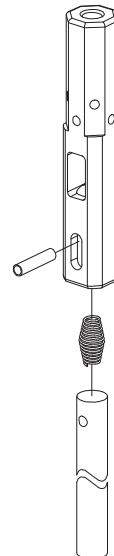


8847-F Rod Guide Mtg.
Screws Pkg. of 10
Part No. 090018

8847-F Rod Set
Mounting Package
Part No. 900541



8847-F Rod Guide Kit
(includes screws)
Part No. 105140



8847-F Bottom Rod Kit
Part No. 050458

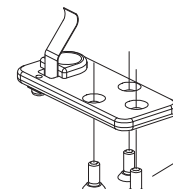
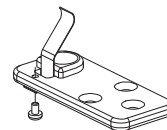
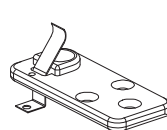
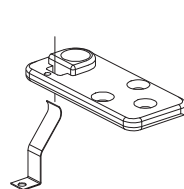


8847-F Extension Rod Kit
8' - 10' Door
Part No. 051705

8847-F Top Rod Kit
(includes screws)
6'-8" - 8' Door
Part No. 050457 (specify finish)



8847-F Rod
Connector Rivet
Pkg. of 10
Part No. 090011



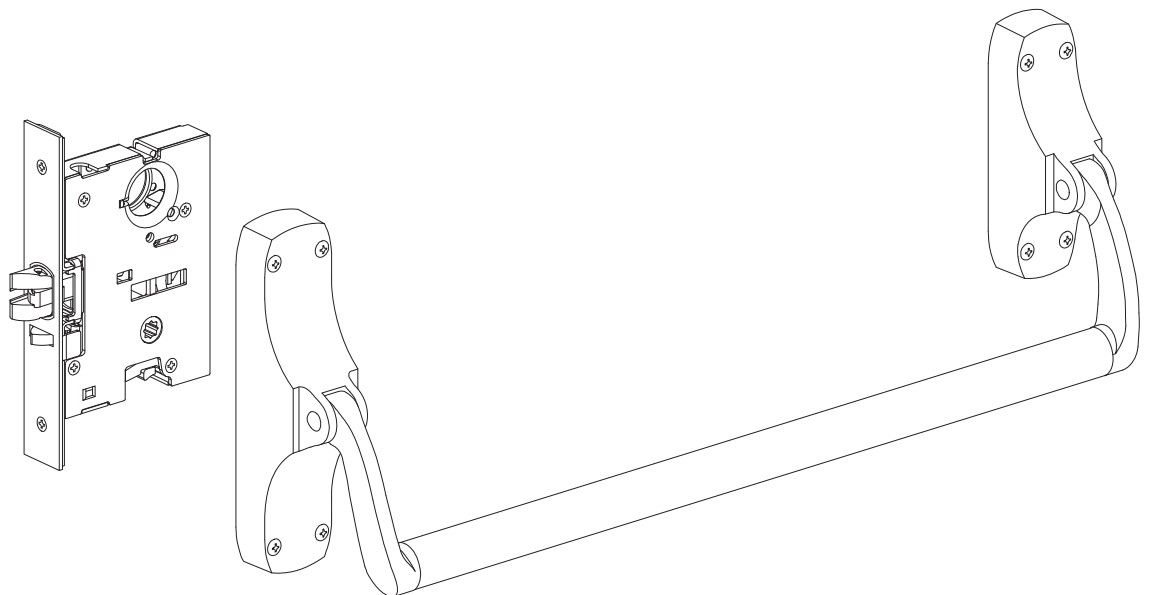
Assembly Procedure (LHR shown)
8847-F Bottom Guide Pkg.
Part No. 100741

installation
screws
included

VON DUPRIN®

8875
Mortise Lock
Series
Exit Devices

Service manual



INDEX

General Information

Introduction	2
How to Order	2
Part Number Changes	2
8875 Series Finishes	3
Outside Trim Functions	3
Strikes	3

8875 Series Device Parts

Lever Arm Parts Packages	4
Lever Arm Kits	6
Crossbars	6
End Case Kit and End Case Parts	7
Center Case Kits and Center Case Parts	8

INTRODUCTION

This manual contains a listing of replaceable parts and assemblies for the 8875 Series Devices.

HOW TO ORDER

Some parts are sold separately. Other items are available as part of a kit or multiple quantity package. For the best possible service when ordering replacement parts or assemblies, please provide the following information:

- Part number or assembly number
- Description
- Quantity needed
- Finish desired (if available finished)
- Date of original purchase (if known)

To find out the name of your local Von Duprin distributor or sales representative, contact:

Von Duprin Division
Allegion
2720 Tobey Drive
Indianapolis, Indiana 46219
Phone: (877) 671-7011

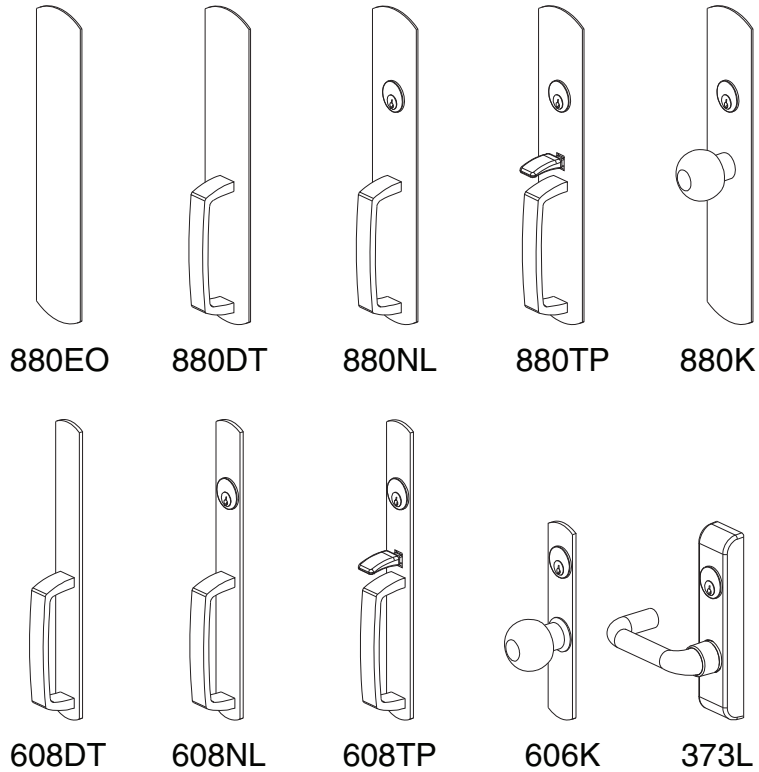
PART NUMBER AND AVAILABILITY CHANGES

This manual was designed to help illustrate the replacement parts and kits that are available for sale. Because of changes to the product and/or manufacturing process, part numbers and availability can change over time.

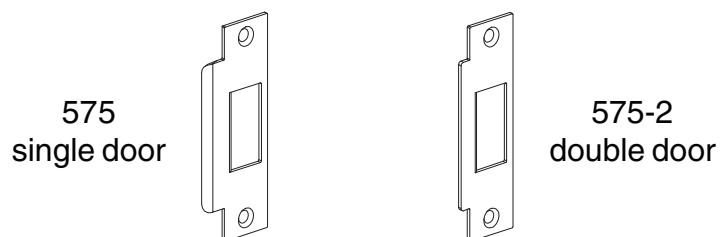
8875 SERIES FINISHES

US Number	BHMA Number	Color
US3	605	Brass, polished
US3A	408	Brass, polished no laquer
US4	606	Brass, dull
US4A	410	Brass, dull no laquer
US10	612	Bronze, dull
US10B	613	Brass, dull (oxidized)
US26	625	Chrome, polished
US26D	626	Chrome, dull
SPBLK	693	Gloss black powder

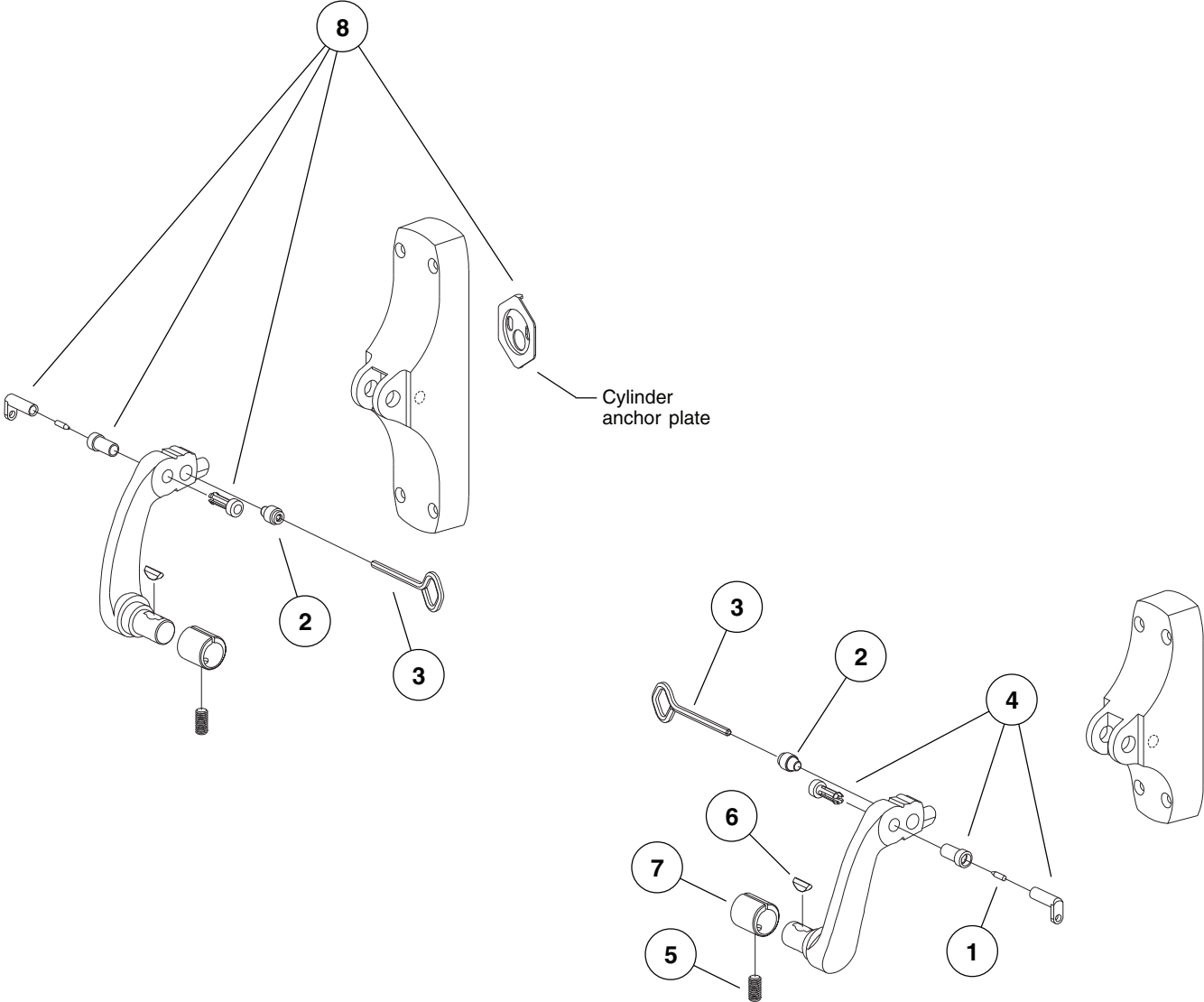
OUTSIDE TRIM FUNCTIONS



STRIKES



LEVER ARM PARTS PACKAGES



LEVER ARM PARTS PACKAGES

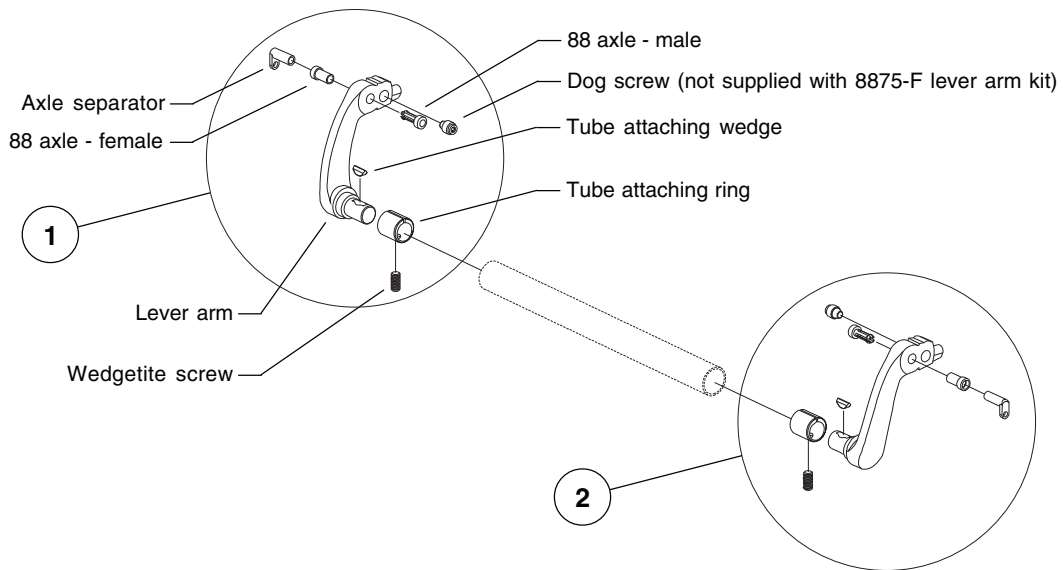
Item No.	Part No.	Description	Quantity	Finish
1	090007	Axle Security Pin Pkg.	10	
1	033022	Axle Security Pin Pkg.	50	
2	090004	Dog Screw Pkg.	2	
2	090083	Dog Screw Pkg.	10	
3	090005	227 Dog Key 5/32" Pkg.	2	
3	090085	227 Dog Key 5/32" Pkg.	10	
4	090006	88 Lever Arm Axles		
		88 Axle Separator	2	
		88 Axle - Male	2	
		88 Axle - Female	2	
4	090082	88 Lever Arm Axles		
		88 Axle Separator	10	
		88 Axle - Male	10	
		88 Axle - Female	10	
5	090008	Wedgetite Screw Pkg.	2	
5	090081	Wedgetite Screw Pkg.	30	
6	090020	Crossbar Tube Attaching Wedge Pkg.	2	
7	090021	Crossbar Tube Attaching Ring Pkg.	2	
8	103865	88 Lever Arm Axle Pkg.		
		Cylinder Anchor Plate	1	
		88 Axle Separator	1	
		88 Axle - Male	2	
		88 Axle - Female	2	

X in "Finish" column designates finished item; specify finish when ordering.

LEVER ARM KITS

Item No.	Part No.	Description	Quantity	Finish
1	050439	88 R/M/V LH Lever Arm Kit (includes dog screw)	1	X
1	050445	8875-F LH Lever Arm Kit (no dog screw)	1	X
2	050438	88 R/M/V RH Lever Arm Kit (includes dog screw)	1	X
2	050444	8875-F RH Lever Arm Kit (no dog screw)	1	X

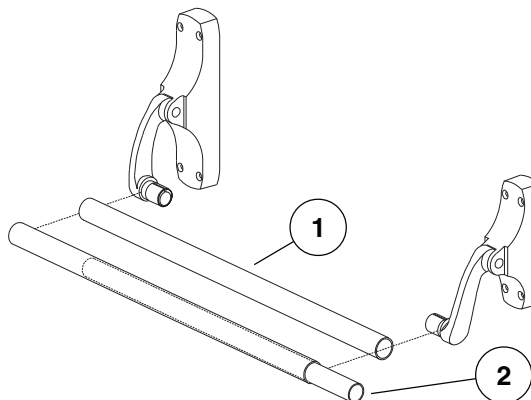
X in "Finish" column designates finished item; specify finish when ordering.



CROSSBARS

Item No.	Part No.	Description	Quantity	Finish
1	050004	42" Standard Crossbar Kit	1	X
1	050005	42" Knurled Crossbar Kit	1	X
2	050459	37" Crossbar Reinforcement Kit	1	

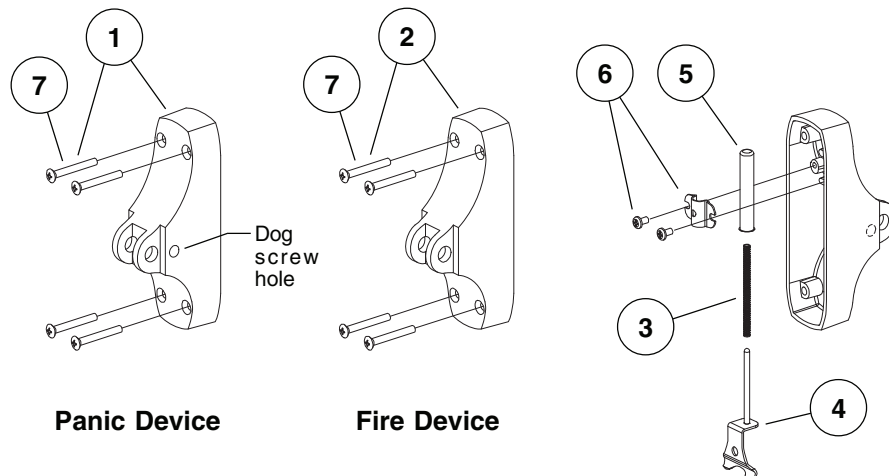
X in "Finish" column designates finished item; specify finish when ordering.



END CASE KIT AND END CASE PARTS

Item No.	Part No.	Description	Quantity	Finish
1	050435	88 R/M/V End Case Kit		X
		88 R/M/V End Case	1	
		10-24 x 1-1/2" OPHMS	4	
		10-24 x 2" OPHMS	4	
		10-12 x 10-24 x 2" OPHCS	4	
2	050436	8827-F/8875-F/8847-F End Case Kit		X
		88SV/CV/M-F End Case	1	
		10-24 x 1-1/2" OPHMS	4	
		10-24 x 2" OPHMS	4	
		10-12 x 10-24 x 2" OPHCS	4	
3	090003	88 End Case Spring Pkg.	2	
3	090080	88 End Case Spring Pkg.	10	
4	050451	88 End Case Spring Stop Kit	1	
5	050476	88/88-F End Case Spring Tube	1	
6	050477	88/88-F Spring Tube Bracket w/Screws Kit		
		88/88-F Spring Tube Bracket	1	
		88/88-F Spring Tube Bracket Screws	2	
7	900503	88 Center or End Case Mtg. Pkg. (CS and MS screws)		X
		10-24 x 1-1/2" OPHMS	4	
		10-24 x 2" OPHMS	4	
		10-12 x 10-24 x 2" OPHCS	4	
7	900504	88 Center or End Case Mtg. Pkg. (CS screws)		X
		10-12 x 10-24 x 2" OPHCS	4	
7	900505	88 Center or End Case Mtg. Pkg. (MS screws 1-3/4" door)		X
		10-24 x 1-1/2" OPHMS	4	
7	900506	88 Center or End Case Mtg. Pkg. (MS screws 2-1/4" door)		X
		10-24 x 2" OPHMS	4	

X in "Finish" column designates finished item; specify finish when ordering.



CENTER CASE KITS AND CENTER CASE PARTS

Item No.	Part No.	Description	Quantity	Finish
1	050422	8847-F RHR Center Case Kit	1	X
1	050423	8847-F LHR Center Case Kit	1	X
2	050209	8847-F/75/75-F Latch Control LH	1	
3	050210	8847-F/75/75-F Latch Control RH	1	
4	050211	8847-F/75/75-F Backplate w/ Screws	1	
5	050331	88 Cylinder Anchor Plate	1	
6	090013	8847-F/75-F Flat point Set Screw Pkg.	5	
7	090014	8847-F/75/75-F Center Case Spring Pkg.	2	
8	900615	8827 Backplate Screw Pkg.	4	
9	900503	88 Center or End Case Mtg. Pkg. (CS and MS screws)		X
		10-24 x 1-1/2" OPHMS	4	
		10-24 x 2" OPHMS	4	
		10-12 x 10-24 x 2" OPHCS	4	
9	900504	88 Center or End Case Mtg. Pkg. (CS screws)		X
		10-12 x 10-24 x 2" OPHCS	4	
9	900505	88 Center or End Case Mtg. Pkg. (MS screws 1-3/4" door)		X
		10-24 x 1-1/2" OPHMS	4	
9	900506	88 Center or End Case Mtg. Pkg. (MS screws 2-1/4" door)		X
		10-24 x 2" OPHMS	4	

X in "Finish" column designates finished item; specify finish when ordering.

