

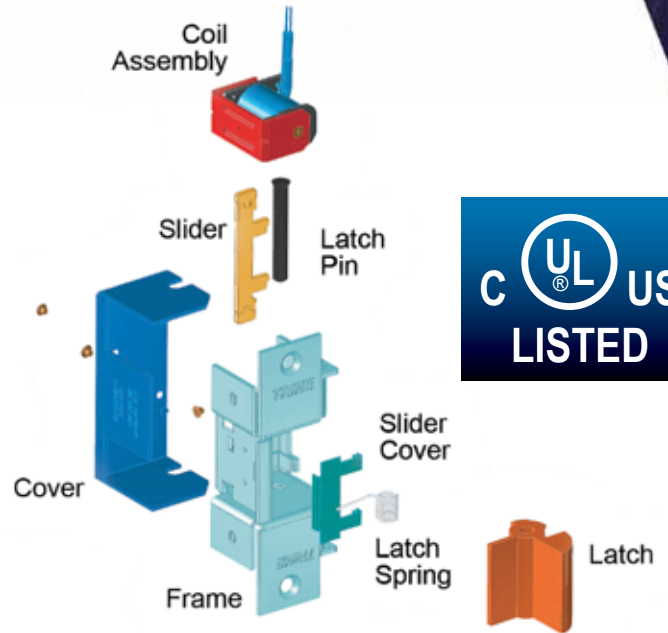
EN SERIES

THE OUTDOOR SOLUTION FOR
GATES AND MORE.



- Contains **ONLY 8** total parts.
- Only **1** moving part in the locking mechanism.
- All stainless steel construction.

- ✦ **Superior Strength** - 2,000+ lbs - (UL) tested.
- ✦ **Superior Life** - 1,000,000+ cycles.
- ✦ **Superior Application** - (UL) Outdoor rating allows the strike to be used where the competition can not.



Key Features

- Continuous Duty runs very cool (DC only)
- Durability of 1,000,000+ life cycles
- A holding force of 2,000+ lbs – (UL) Tested!
- **Fail-secure/Fail-safe is field reversible on DC units (except on 430 & 435 models)***
- Left and Right handing is field reversible (except the offset 430 & 435 models)*
- Units install flush with face of the frame for a clean look.
- Low Current Draw (DC Models*) Voltage & Amp draw is the same across all EN Models



Wire Lead Color Codes

Voltage	Wire Colors
12AC	1 - Blue, 1 - Orange/White
24AC	1 - Blue, 1 - Black/White
12DC	2 - Orange/White
24DC	2 - Black/White

Electric Characteristics

Voltage	Amps	Ohms	Duty	Sound
12AC	0.70	4.5	Intm.	Buzz
24AC	0.37	18.0	Intm.	Buzz
12DC *	0.28	43.0	Intm./Cont.	Silent
24DC *	0.15	164.0	Intm./Cont.	Silent

Standards

- (UL) Listed 10C - Fire-rated
- Class A, 3-hour, single swing door (except on 400RP, 800 & 850 models)
- (UL) Listed 1034 -
Indoor/Outdoor Burglary Resistant
- BHMA 156.31 2001, Grade 1
- NYC MEA 79-01-E

Ordering an EN strike

Please provide us with the following information to ensure you receive the strike you need.

Model # -- Voltage -- Finish -- Handing
example: 400 12DC 32D RH

*Fail Safe Request: Please add "RS" to order
example: 400RS-12DC-32D-RH

THE OUTDOOR SOLUTION
 FOR CYLINDRICAL, MORTISE, & RIM PANIC EXIT DEVICES



EN400CMRP

THE ONE BOX SOLUTION

THE ONLY ELECTRIC STRIKE SOLUTION ON THE MARKET THAT CAN HANDLE

CYLINDRICAL, MORTISE, DEADLATCHES, AND RIM PANICS

The Flexible 400CMRP Includes:

- The EN400-12DC-32D-RH complete in the box
- The 400RP latch - change for rim panics in the field.
- The EN400-Gatebox - Mount the strike anywhere.
- The EN-24DC-CA - change voltage in the field.
- Fail safe/Fail secure field reversible.
- Always Low Current Draw



EN400-Gatebox

Install the EN400CMRP anywhere on the frame or post.

Steel gatebox is unfinished.

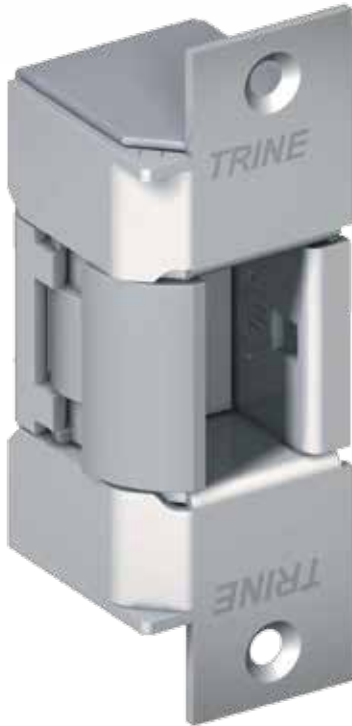


RP Latch

400CMRP-32D (Satin Stainless Steel – BHMA630)
 - unit comes as a 400-12DC-32D-RH premade unit; RP (rim panic) latch and 24DC coil are in the box.

400RPCM-32D (Satin Stainless Steel – BHMA630)
 - unit comes as a 400RP-24DC-32D-RH premade unit; CM (cylindrical/mortise) latch and 12DC coil are in the box.

EN400



- Use with Cylindrical and Mortise Locks.
- Perfect for exterior doors and gates.
- Latch Shim Kit provided for horizontal cavity adjustment on the EN400.
- Field reversible handing – remember to pick a specific hand when ordering to save time.

400-32D

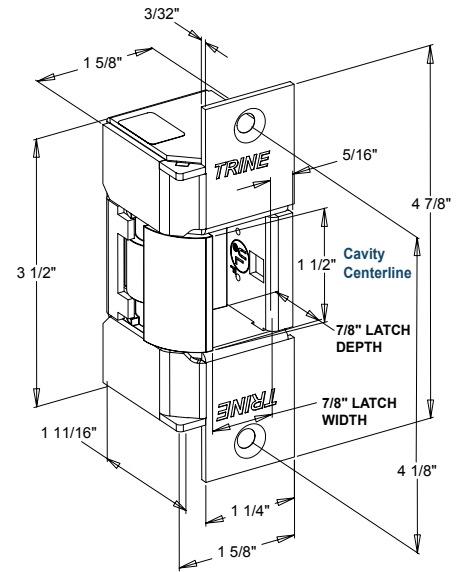
(Satin Stainless Steel – BHMA630)

The following finishes are:

- **400-US3** (Bright Brass – BHMA605)
- **400-US4** (Satin Brass – BHMA606)
- **400-US10** (Satin Bronze – BHMA612)
- **400-US10B** (Dark Bronze – BHMA613)
- **400-32** (Polished Stainless – BHMA629)

EN400-Gatebox

(Steel Gatebox, unfinished)



EN400RP



- Use with rim panic devices
- Perfect for exterior doors and gates. Use the EN400RP with item # EN400-GATEBOX and securely mount the strike anywhere on the frame.
- Field reversible handing – remember to pick a specific hand when ordering to save time.
- The Outdoor Rim Panic Solution

400RP-32D

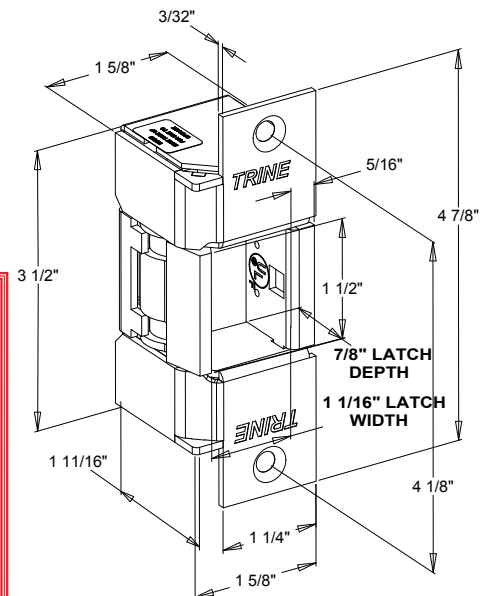
(Satin Stainless Steel – BHMA630)

The following finishes are:

- **400RP-US3** (Bright Brass – BHMA605)
- **400RP-US4** (Satin Brass – BHMA606)
- **400RP-US10** (Satin Bronze – BHMA612)
- **400RP-US10B** (Dark Bronze – BHMA613)
- **400RP-32** (Polished Stainless – BHMA629)

EN400-Gatebox

(Steel Gatebox, unfinished)



The Outdoor Electric Strike Solutions

EN Series



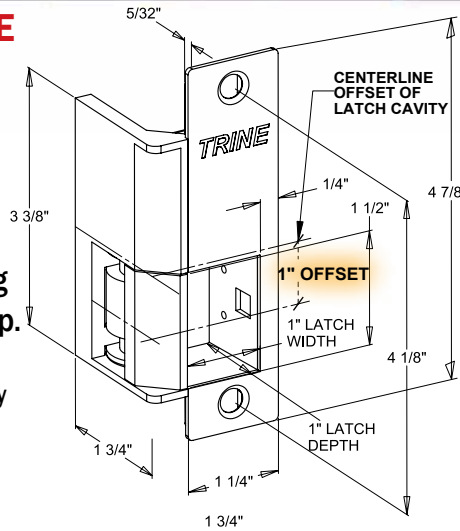
EN430 - CAVITY CENTERLINE OFFSET 1"



For new or replacement installations in metal jambs. Use with mortise lock latchbolts with up to 7/8" throw without relocating centerline. Based on 1/8" door gap.

Latch Shim Kit provided for horizontal cavity adjustment.

Designed to work with Schlage L Series, Sargent 7700, 8100, & Yale 8700



430-32D
(Satin Stainless Steel - BHMA630)

The following finishes are:

- **430-US3**
(Bright Brass - BHMA605)
- **430-US4**
(Satin Brass - BHMA606)
- **430-US10**
(Satin Bronze - BHMA612)
- **430-US10B**
(Dark Bronze - BHMA640)
- **430-32**
(Polished Stainless - BHMA629)

The EN430 is handed, please specify LH or RH

EN435 - CAVITY CENTERLINE OFFSET 3/4"

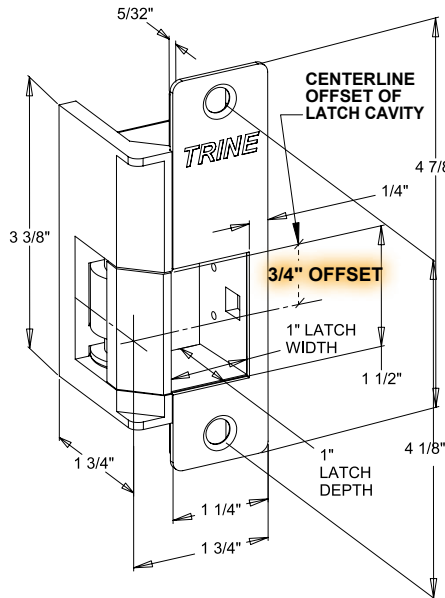


For new or replacement installations in metal jambs. Use with mortise lock latchbolts with up to 7/8" throw without relocating centerline. Based on 1/8" door gap.

Latch Shim Kit provided for horizontal cavity adjustment.

Designed to work with Arrow, Falcon, Sargent 7800, 8200, 9200, Yale 8800

Factory tested by Best® to work with the 45H Series.



435-32D
(Satin Stainless Steel - BHMA630)

The following finishes are:

- **435-US3**
(Bright Brass - BHMA605)
- **435-US4**
(Satin Brass - BHMA606)
- **435-US10**
(Satin Bronze - BHMA612)
- **435-US10B**
(Dark Bronze - BHMA613)
- **435-32**
(Polished Stainless - BHMA629)

The EN435 is handed, please specify LH or RH

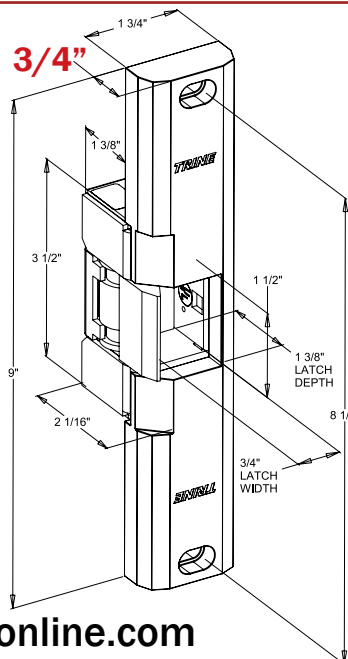
EN800 - GREAT FOR OUTDOOR GATES



For new or replacement installations in wood or metal single door jambs. Use with surface mounted rim exit devices with up to 1" throw. 3/4" thick face plate.

(Not UL 10C Listed)

Works with Rim Panic Exit Devices



800-32D
(Satin Stainless Steel - BHMA630)

The following finishes are:

- **800-US3**
(Bright Brass - BHMA605)
- **800-US4**
(Satin Brass - BHMA606)
- **800-US10**
(Satin Bronze - BHMA612)
- **800-US10B**
(Dark Bronze - BHMA613)
- **800-32**
(Polished Stainless - BHMA629)

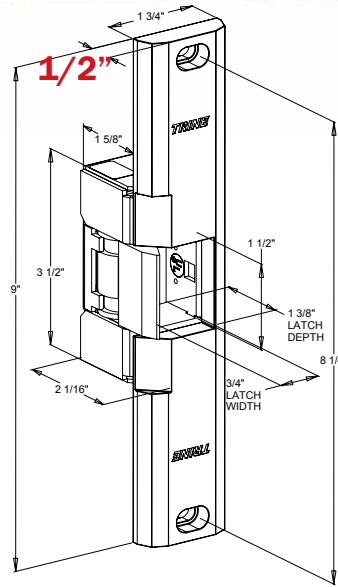


EN850 -- GREAT FOR OUTDOOR GATES

For new or replacement installations in wood or metal single door jambs. Use with surface mounted rim exit devices with up to 1" throw. **1/2" thick face plate.**

(Not UL 10C Listed)

Works with Rim Panic Exit Devices.



850-32D
(Satin Stainless Steel – BHMA630)

The following finishes are:

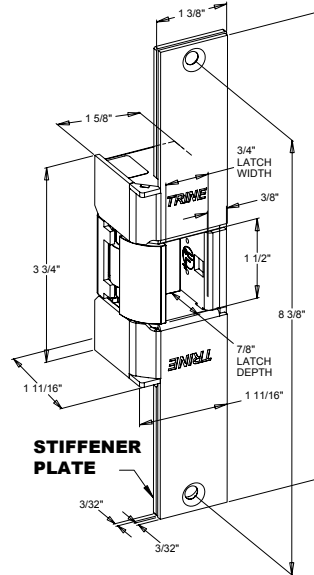
- **850-US3**
(Bright Brass – BHMA605)
- **850-US4**
(Satin Brass – BHMA606)
- **850-US10**
(Satin Bronze – BHMA612)
- **850-US10B**
(Dark Bronze – BHMA613)
- **850-32**
(Polished Stainless – BHMA629)



EN950 -- FITS FOLGER ADAMS® 310-2 CUTOUT

For new or replacement installations in metal or wood jambs. Use with mortise exit devices, mortise locks without dead bolts and cylindrical locksets with up to 7/8" throw. Based on 1/8" door gap.

Latch Shim Kit provided for horizontal cavity adjustment.



950-32D
(Satin Stainless Steel – BHMA630)

The following finishes are:

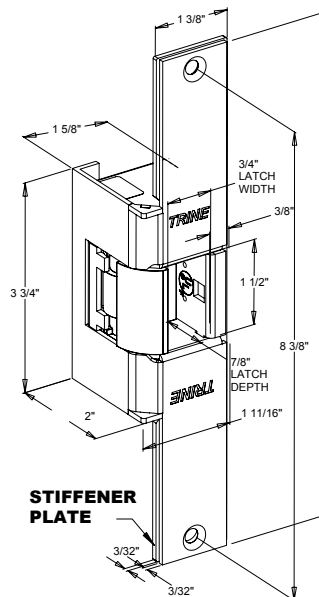
- **950-US3**
(Bright Brass – BHMA605)
- **950-US4**
(Satin Brass – BHMA606)
- **950-US10**
(Satin Bronze – BHMA612)
- **950-US10B**
(Dark Bronze – BHMA613)
- **950-32**
(Polished Stainless – BHMA629)



EN960 -- FITS FOLGER ADAMS® 310-2 3/4" CUTOUT

For new or replacement installations in metal or wood jambs. Use with mortise exit devices, mortise locks without dead bolts and cylindrical locksets with up to 7/8" throw. Based on 1/8" door gap.

Latch Shim Kit provided for horizontal cavity adjustment.



960-32D
(Satin Stainless Steel – BHMA630)

The following finishes are:

- **960-US3**
(Bright Brass – BHMA605)
- **960-US4**
(Satin Brass – BHMA606)
- **960-US10**
(Satin Bronze – BHMA612)
- **960-US10B**
(Dark Bronze – BHMA613)
- **960-32**
(Polished Stainless – BHMA629)

EN Latchbolt Monitoring



EN-LB – LATCHBOLT MONITORING

- Remote central station notification
- Local alarm monitoring relay
- Triggering video surveillance/recording systems
- Active relay for trap door systems

IR optical sensor – Adjustable sensitivity with simple screw adjustment – Single pole, double throw, Form “C” relay, rated at 1-amp at 12-24 AC/DC – N/O and N/C relay contacts – Module power source rating of 12-24VDC

Current consumption is:

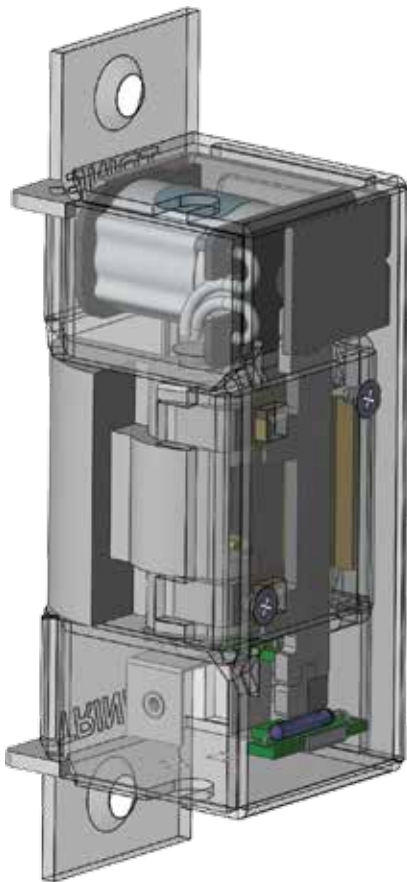
0.034 amps at 12VDC & 0.045 amps at 24VDC

FOR 430 & 435 ONLY

Add “LB” to a 430 or 435 electric strike

Examples:

- 430LB-12DC-32D



Patent Pending

The NEW LBSM for the 400, 950, 960

- Latchbolt monitoring utilizes a sealed magnetic reed switch and monitors if the lockset latch is engaged with the strike.
- Strike mechanism monitoring detects whether the strike is in the locked or unlocked position

LBM CHARACTERISTICS:

CONTACT FORM:	C
CONTACT RATING:	10W
SWITCHING VOLTAGE:	30V MAX AC/DC
SWITCHING CURRENT:	0.5 A
CONTACT RESISTANCE	
STATIC:	150 MILLIOHM
BREAKDOWN VOLTAGE:	200 VDC
OPERATING TEMP:	-40° - 130° C
RATE:	2,000,000+ CYCLES

USE WITH A
GATEBOX FOR
ADDED FLEXIBILITY



Add “LBSM” to any 400, 950, or 960 model.

Example:

- 400LBSM-12DC-32D

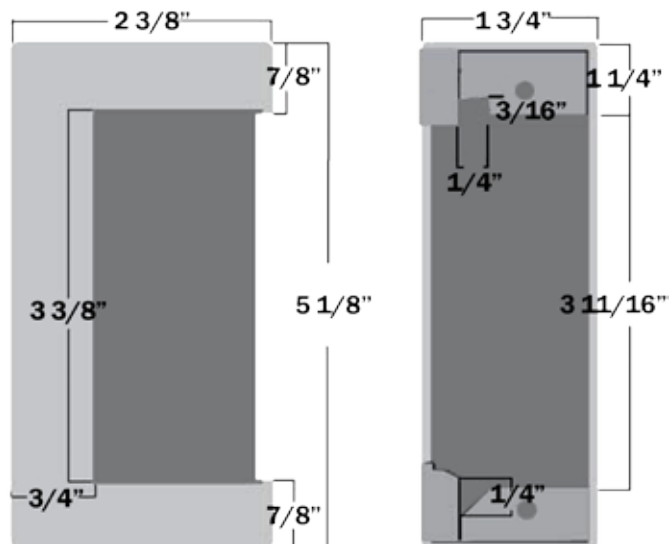
TOUGH-AS-NAILS-GO-ANYWHERE-EN-SERIES

has found a latchbolt monitor that can follow it outdoors and into the elements.

MODEL	DESCRIPTION
LC-100	External unit that operates on 11 through 29 AC/DC input and provides inductive kickback and surge protection. When used with the EN Series, 12DC must be selected and the LC100 must be located within 10' of the electric strike.
EN-CA-12DC	Coil Assembly (Orange/White Wire Leads)
EN-CA-24DC	Coil Assembly (Black/White Wire Leads)
EN-CA-12AC	Coil Assembly (Blue/Orange & White Wire Leads)
EN-CA-24AC	Coil Assembly (Blue/Black & White Wire Leads)
EN-SLR-RS	(1) Fail Safe Slider for 430/435 Units
TRS	(2) Tamper-Resistant Torx® #12-24 Screws
EN-TS	Trim Skirt (Not for use with 950 & 960)
EN-LSK	EN Latch Shim Kit for horizontal cavity adjustment.
ESK-1	EN Service Kit: <ul style="list-style-type: none"> • (1) Latch spring • (2) PFH 12-24x1" mounting screws & (2) PFH 6-32 x 1/8" cover screws • (2) Wire nut caps & (1) assembly pin and instruction sheet
BZ-12	Buzzer for 12 DC operation
BZ-24	Buzzer for 24 DC operation
EN400-Gatebox	The weldable gate box solution for use with the EN400 & EN400RP Outdoor rated electric strikes. (Steel gatebox is <u>Not Finished</u>).



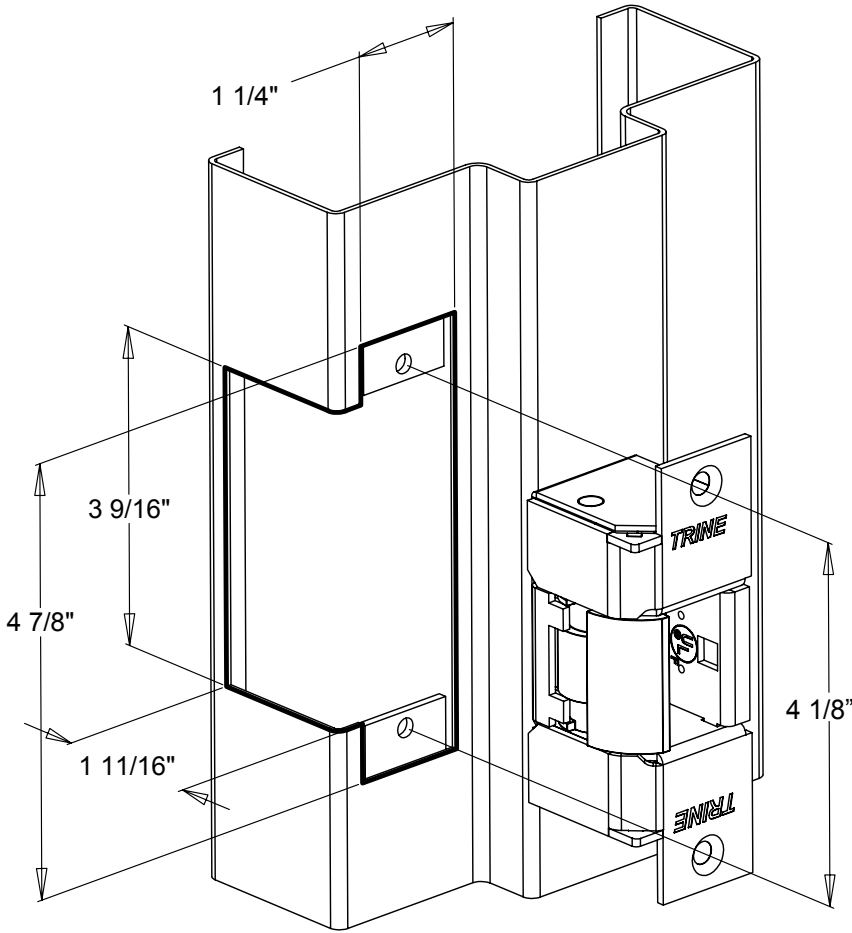
EN400-Gatebox Dimensions



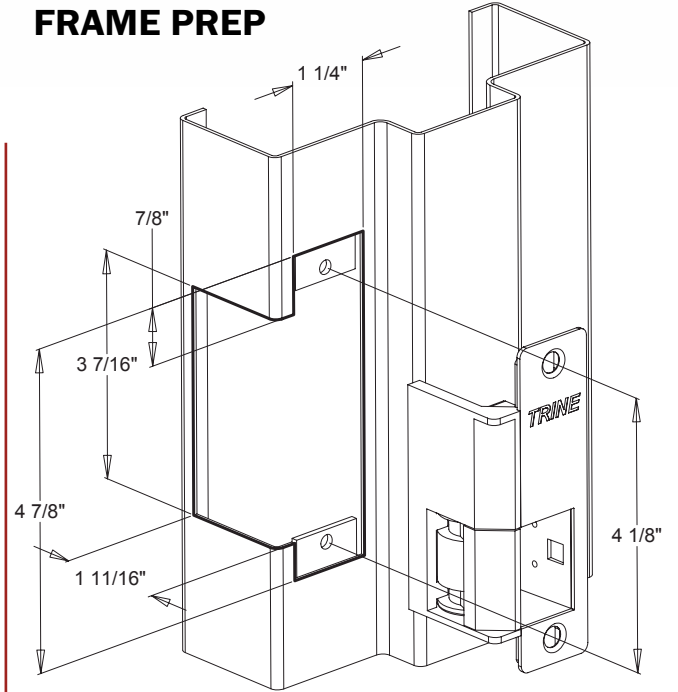
Frame Preps EN Series



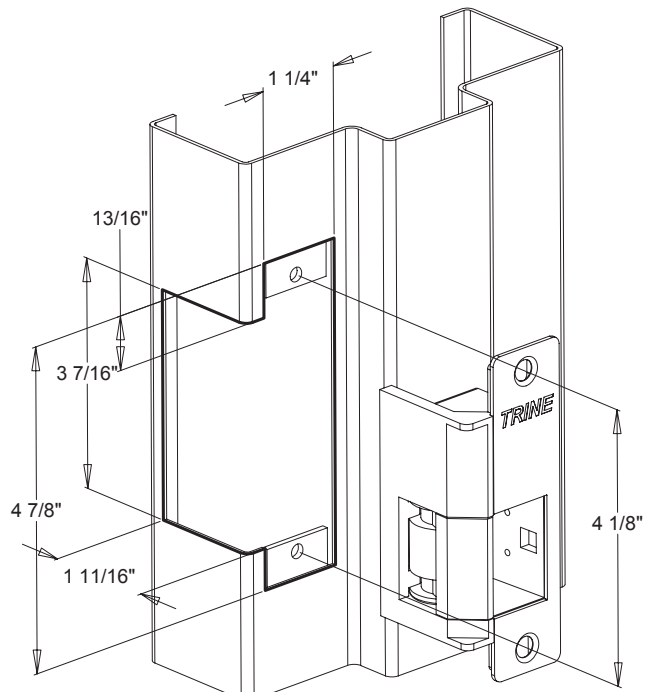
EN400, EN400RP, & EN400CMRP FRAME PREP



EN430 FRAME PREP



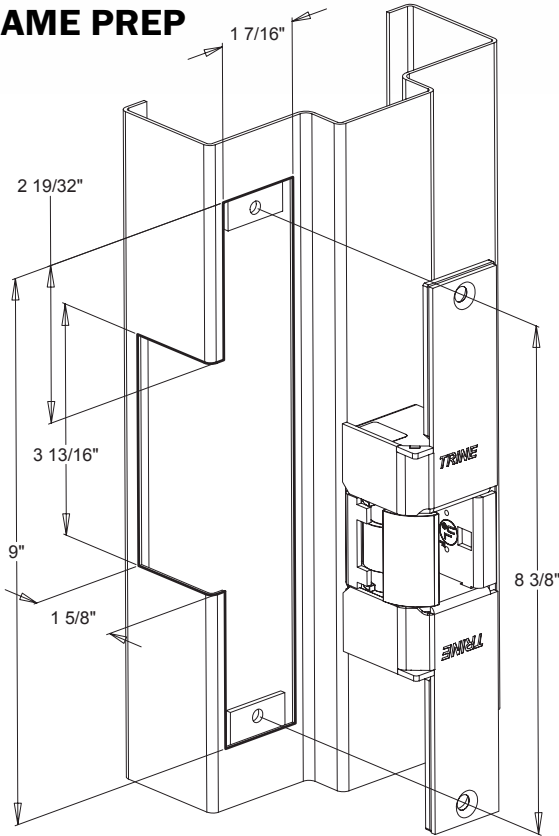
LEFT HAND (LH) SHOWN



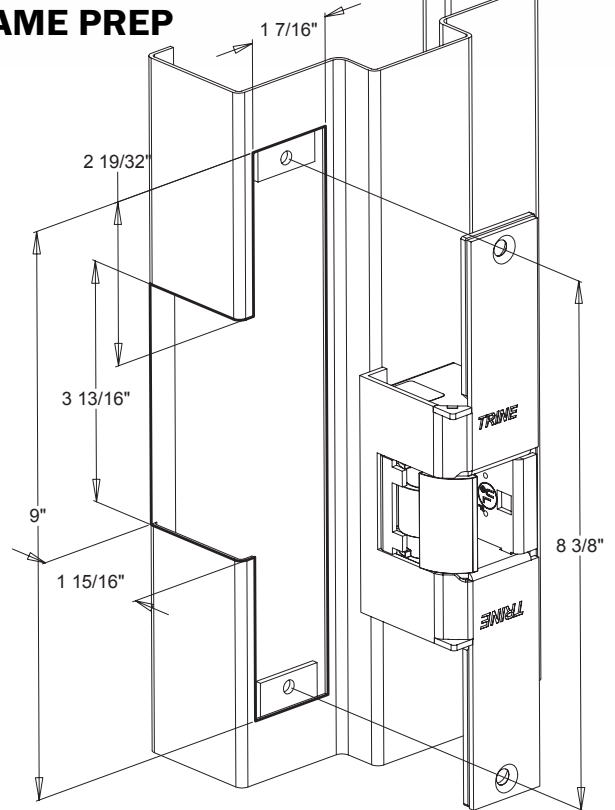
LEFT HAND (LH) SHOWN

EN435 FRAME PREP

EN950 FRAME PREP



EN960 FRAME PREP



EN800 & EN850 FRAME PREP

NOTE: EN800 IS 3/4" THICK
EN850 IS 1/2" THICK

