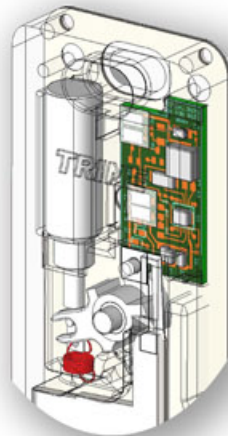


## THE UNIVERSAL 4850 - SIZE ADJUSTABLE VOLTAGE SELECTABLE, ALWAYS DEPENDABLE



Fits in Tight Installs like Glass.



Smart Plug & Play Self Adjusting 12V through 24V DC Surge & Kickback Protection included



Install Securely with our Patented Anchor Pin System

### FEATURES:

- Grade 1 Strike – 1/2" thick Surface Mount that comes with a 1/4" and a 1/8" Spacer – this provides the flexibility of up to 4 different sizes!
- Allows for up to a 1" throw.
- NO CUTTING OF THE FRAME
- Built-in electronics automatically allows 11 thru 28 DC Voltage input – with surge and kickback protection included.
- Comes with Trines Patented 6-pin Anchoring System for extra strength and stability.
- Contains a one piece locking mechanism with one Solenoid – less parts mean less problems.
- Grade 1 strike: 1,500 lbs Holding Force.
- 1,000,000+ Life cycles.

### Finishes:

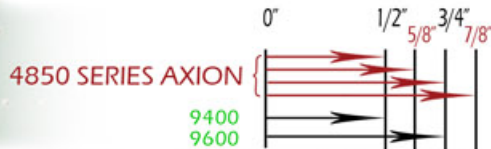
- 4850-32D (Satin Stainless Steel – BHMA630)
- 4850-US3 (Bright Brass – BHMA605)
- 4850-US4 (Satin Brass – BHMA606)
- 4850-US10 (Satin Bronze – BHMA612)
- 4850-US10B (Dark Bronze – BHMA640)
- 4850-32 (Polished Stainless Steel – BHMA629)

[www.trineonline.com](http://www.trineonline.com)

**UNIVERSAL**  
**POSSIBILITIES**

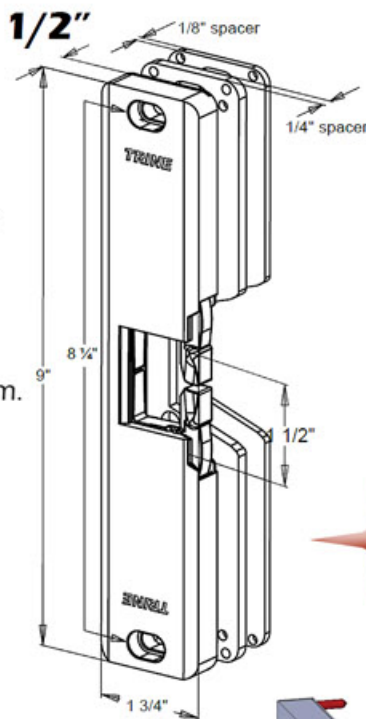
## THE UNIVERSAL 4850

### TOTAL THICKNESS COMPARISON

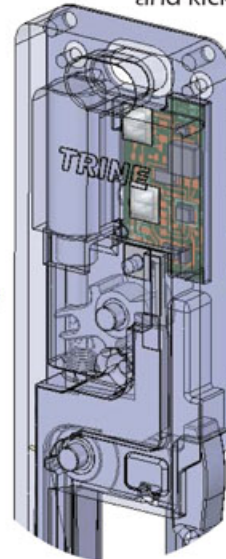


The Axion 4850 provides 4 sizes right out of the box!

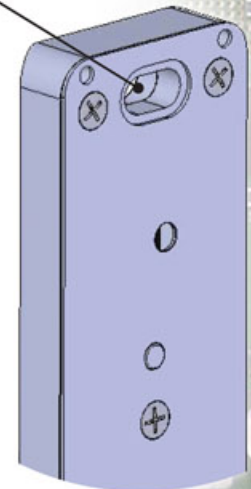
- Grade 1 Strike – 1/2" thick Surface Mount that comes with a 1/4" and a 1/8" Spacer this provides the flexibility of up to 4 different sizes!
- Built-in electronics automatically allow 11 thru 28 DC Voltage surge & kickback protection - is included.
- Patented 6-pin Anchoring System.
- One piece mechanism One Solenoid.
- 1,000,000+ Life cycles.
- No cutting or worrying about voltage means you are always prepared.



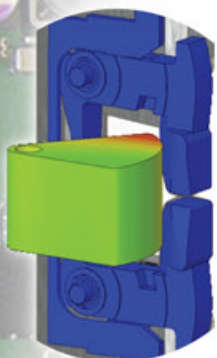
Built-in electronics automatically allow 11 thru 28 DC Voltage input – with surge and kickback protection.



Clearance for a 7/16 dia. head of a blind threaded insert with a #1/4-20 thread for aluminum frame applications.



Voltage	Pull In/Holding Current/Amps	Duty	Sound
12DC	0.500/0.178	Intrm./Cont.	Silent
16DC	0.385/0.131	Intrm./Cont.	Silent
24DC	0.255/0.084	Intrm./Cont.	Silent

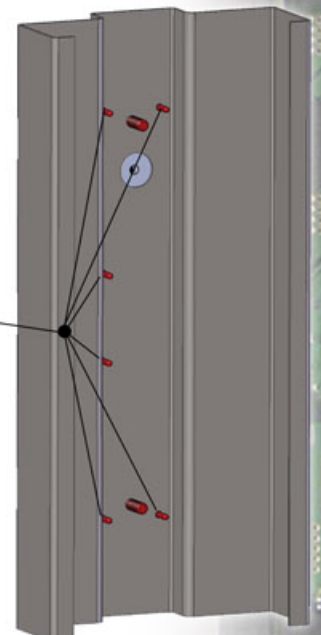
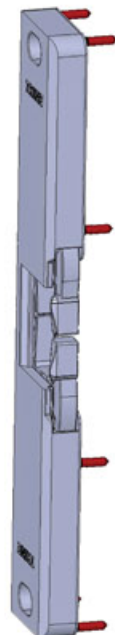


**Patented One Piece Locking Mechanism**  
A simpler and more durable model of strike for the highest level of performance.

### Patented 6-pin Anchoring System:

Six additional points of protection and helps you to handle the toughest installations.

This brings the 4850 to a total 8 points of connection between the frame and strike. All at your choosing.



# THE ONE BOX SOLUTION FOR RIM PANIC EXIT DEVICES

- For use with surface mounted rim exit devices with up to a 1" throw.
- No cutting of the frame
- Cavity is completely open – which means the 4850 allows for an incremental depth up to a 1" throw - **Competitor back plates do not allow for this versatility.**
- Built-in electronics automatically allow **11 through 28** DC Voltage input – with surge and kickback protection
- Comes with Trines Patented **6-Pin Anchoring System** for strength and stability. (See page 18 for details)
- Contains a one piece locking mechanism with one Solenoid – **less parts mean less problems.**
- Fail-safe/Fail-secure field selectable.
- BHMA Grade 1 Electric Strike:
  - + 1,000,000+ Life cycles
  - + 1,500+ lbs. Holding Force.

1/2" 1/4" 1/8"



4800 Series

### Electric Characteristics

Voltage	Pull In/Holding		Duty	Sound
	Current/Amps			
12DC	0.500/0.178		Intm./Cont.	Silent
16DC	0.385/0.131		Intm./Cont.	Silent
24DC	0.255/0.084		Intm./Cont.	Silent

Secure your install with our patented 6-pin anchoring system.



Fits tight installs, like glass.



**4850-32D** (Satin Stainless Steel – BHMA630)

The following finishes are:

- **4850-US3** (Bright Brass – BHMA605)
- **4850-US4** (Satin Brass – BHMA606)
- **4850-US10** (Satin Bronze – BHMA612)
- **4850-US10B** (Dark Bronze – BHMA613)
- **4850-32** (Polished Stainless Steel – BHMA629)

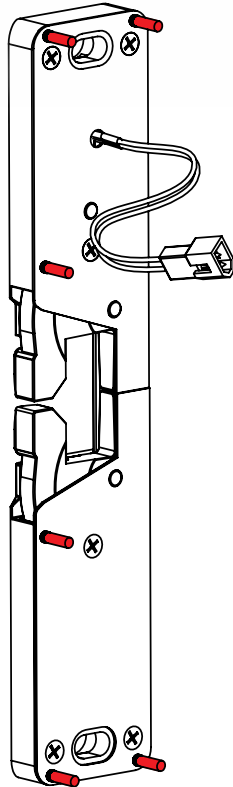
See Page 18 for options.

**2 Spacers included,  
4 Thicknesses created,  
1 Box solution provided.**

# 4800 Series Accessories & Patented Anchoring System

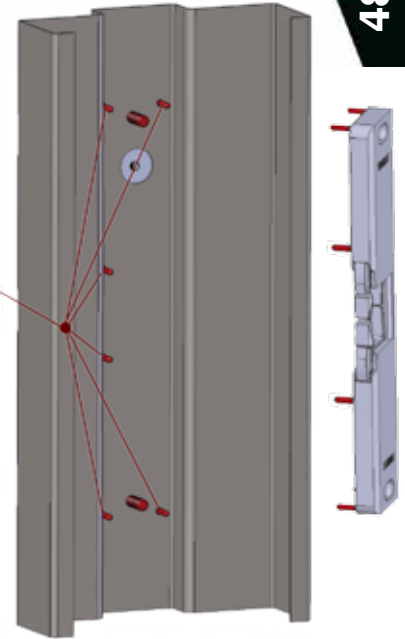
## PATENTED ANCHORING SYSTEM

- Included in every 4800 series strike.
- Prevents strike from shifting on the frame for the most secure installation.
- Two center pins suggested for installs in high traffic locations.
- Check out our new Installation tool, the 4850ITL on page 16.



- The Anchoring System provides six additional points of connection and helps you to handle the toughest installations.

- This brings the 4850 to a total 8 points of connection between the frame and strike.



**THE CONFIGURATION IS YOUR CHOICE**

## 4800 Series Accessories

### MWH-5

#### REMOVABLE MULLION WIRE HARNESS FOR 4800 SERIES ELECTRIC STRIKES

Contains:

- (1) 5' Wire for mullion with male/female connectors.
- (1) Male connector & (1) Female connector.
- (1) Mullion cap, & (1) Wire adhesive.
- (4) Wire caps
- (1) Wire tie

### 4850-AK: ACCESSORIES KIT

Contains:

- (1) Fail safe plunger with spring & (1) Fail safe cam.
- (6) Anchoring pins.
- (1) Wire connector, (2) Wire caps, & (2) Mounting screws.

### 4800-AK: ACCESSORIES KIT

Contains:

- (1) Fail safe plunger with spring.
- (6) Anchoring pins.
- (1) Wire connector, (2) Wire caps, & (2) Mounting screws.

### 4800-SS: 1/8" SPACER PLATE IN 32D

### 4800-SS-DKBZ: 1/8" SPACER IN DARK BRONZE 613E

Fits all 4800 Series Electric Strikes

### 4850-SS: 1/4" SPACER PLATE IN 32D

### 4850-SS-DKBZ: 1/4" SPACER IN DARK BRONZE 613E

Fits all 4800 Series Electric Strikes

# THE INSTALLATION SOLUTION FOR THE 4800 SERIES STRIKES

**TRINE**  
ACCESS TECHNOLOGY.

## The 4850-ITL

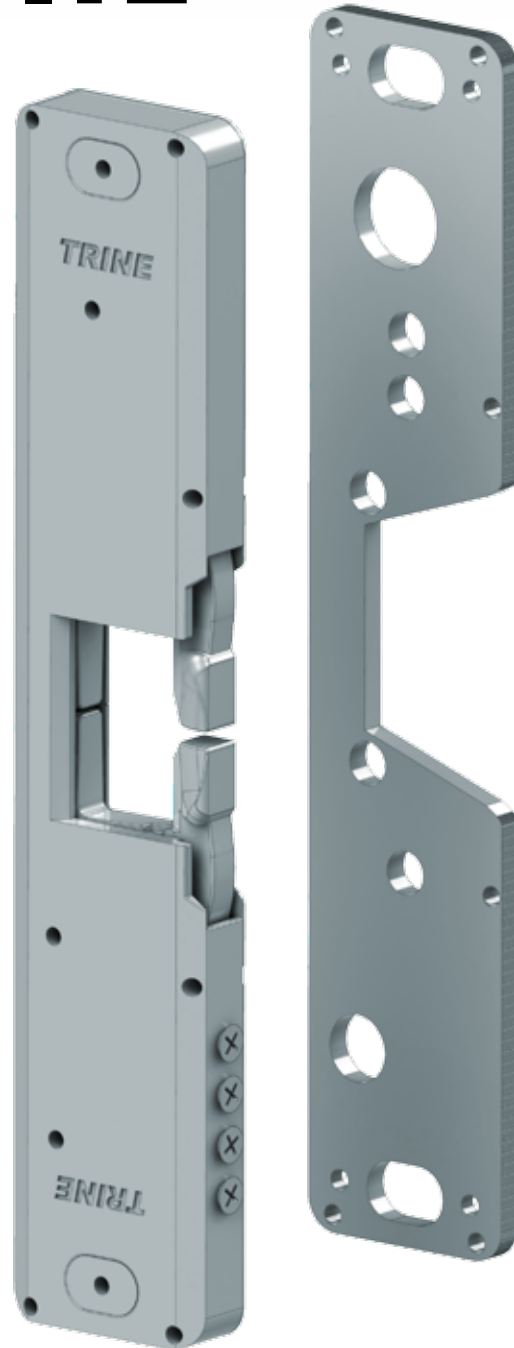
**“Feel” the door work with the strike on the frame... then drill.**

- 4850-ITL installation tool has magnets installed which allows it to attach to steel frames, allowing you to:
  - Adjust and center the strike before ever drilling a hole eliminating any mistakes.
  - Increase your installation speed on every job.
- 1/4” Spacer included, so the tool becomes 3/4” thick, and is also magnetized. (screws on side anchor the spacer to the tool)
- Included custom center punch makes precise marks on the frame for drilling. Marks all anchor pin holes, mounting screws, power, and optional LB sensor.
- Patent Pending

### 4850-ITL

To get your 4850-ITL, contact your local Trine Representative or call the factory direct at:

203.730.1756



**Custom  
Center  
Punch**

WORKS WITH  
THE 4850,  
4850POE/LCD,  
AND 4800F

**To really see the POWER of the 4850-ITL  
watch our video...**



Search “4850ITL” on Youtube  
or go to:  
[trineonline.com/4850itl.php](http://trineonline.com/4850itl.php)