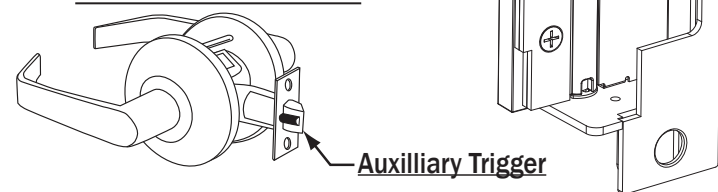


USING THE LATCH SPACER SHIMS

The latch spacer shims are used to make adjustments to minimize the space between the door's inside face and the door stop or reduce door play. For cylindrical locks aligning to the vertical center of the strike mount the shims as shown below.

Mount the shims with the steps positioned aligned with the top of the latch like this.

This position will ensure that the cylindrical lock's auxiliary trigger will function properly.

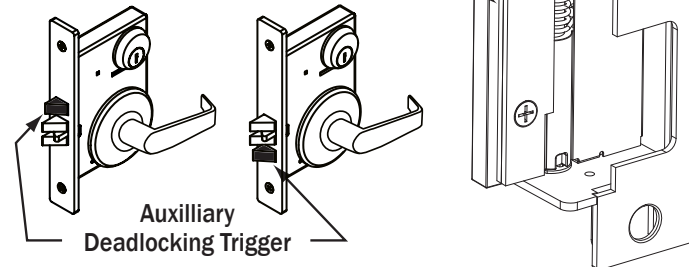


Auxilliary Trigger

USING THE LATCH SPACER SHIMS (CONTINUED...)

For locks not aligning to the vertical center of the strike, mount the shims as shown below. Most if not all mortise locks will work with the latch shims mounted this way.

Mount the shims with the steps positioned away from the top of the latch like this.



Auxilliary Deadlocking Trigger

TROUBLESHOOTING THE COMPLETED INSTALLATION:

DO NOT APPLY AN OVER VOLTAGE OF MORE THAN 10% OVER THE RATED OPERATING VOLTAGE OF THE STRIKE OR THE SOLENOID WILL BE DAMAGED

SYMPTOM: Electric release is not actuating:

1. Verify proper voltage is present **AT THE STRIKE**. If voltage is present, the strike may have been affected during the installation, or dirt or debris may be preventing proper operation. Ensure that all moving parts are clean. **DO NOT LUBRICATE THE SOLENOID.**

2. If voltage **IS NOT** present:

- Verify Circuit breaker is on
- Verify voltage at the transformer/power supply output.
- Verify that there are no additional, external switches or devices which may be interrupting your circuit.
- Check for damaged wiring or bad wire splices.

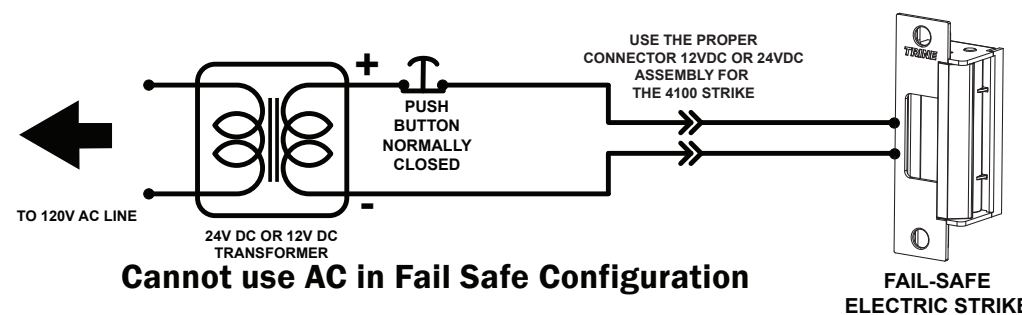
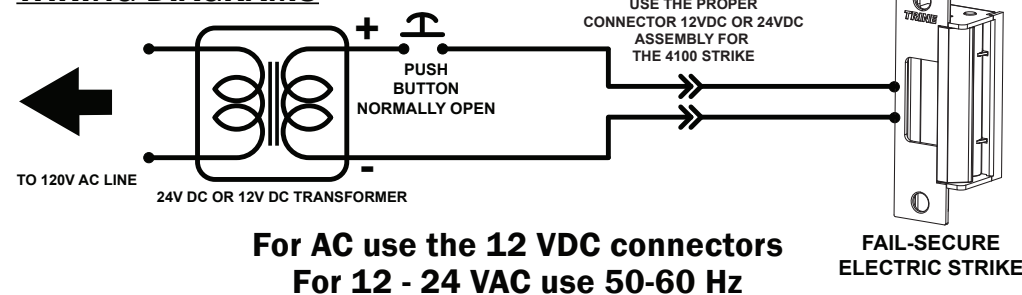
SYMPTOM: Door will not open but strike is working

- First, check to see if the electric strike works properly while the door is open.
- Check for proper lock-latch engagement
- Check for pressure from the door on the electric strike by following these steps:
Push the door from the outside, try and relieve the bolt to latch pressure and actuate the 4100. While the 4100 is unlatched swing the door open. If the door opens, then the bolt maybe applying pressure to the latch. Adjust the position of the 4100 to relieve the pressure.

Possible remedies include:

1. Re-adjust door closer.
2. Remove door silencers.
3. Remove, or trim, weather stripping around the door.
4. Adjust electric strike position if possible.
5. Correct excessive warping of door.

WIRING DIAGRAMS



4100 OPTIONS:

- 4100RS - FAIL SAFE CONFIGURATION
- 4100LB - LATCH BOLT MONITORING
- 4100RSLB - FAIL SAFE/LATCH BOLT MONITORING
- BZ-12 - 12VDC Piezo Buzzer
- BZ-24 - 24VDC Piezo Buzzer

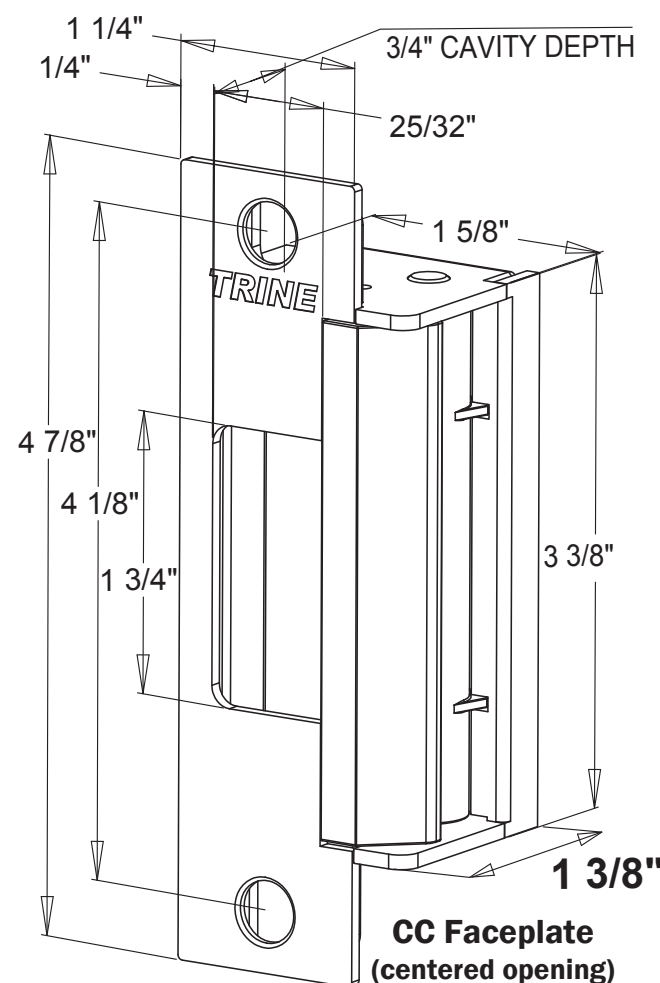
TRINE
ACCESS TECHNOLOGY®

PHONE: (718) 829-2332
FAX: (718) 829-6405
1440 FERRIS PLACE
BRONX, NY 10461
email: customerservice@trineonline.com
website: www.trineonline.com

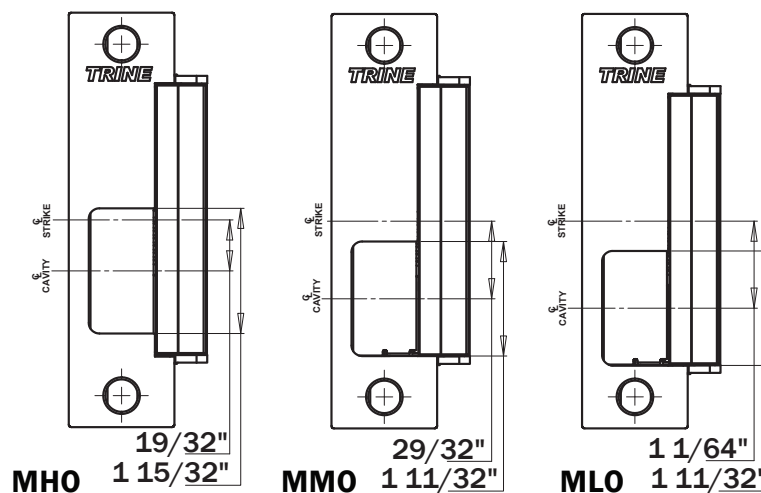
V. 14.0814

4

4100 ELECTRIC STRIKE INSTALLATION INSTRUCTIONS



FACEPLATE AND OFFSET DIMENSIONS:



TRINE
ACCESS TECHNOLOGY®
1440 Ferris Place | Bronx | New York | 10461

TRINE 4100 THE ONE BOX SOLUTION FOR CYLINDRICAL AND MORTISE LOCKS

Congratulations on the purchase of this quality TRINE security product. This product has been designed to install easily, perform reliably, and provide years of trouble free security.

BEFORE PROCEEDING with your installation, please review the following list of features. If you have any questions after reading this document please call TRINE's TECHNICAL SUPPORT (718) 829-2332 EXT. 447, or visit the TRINE Web site at www.trineonline.com

The 4100 is WH recognized for:

Class A, 3 Hour Single door / frame configuration

- UL10C, Fire Tests of Door Assemblies
- UBC 7-2, Uniform building Code
- CAN4 S104, Standard Method for Fire Tests of Door Assemblies NFPA 252 -

Issue: 1999/01/01 Standard Methods of Fire Tests of Door Assemblies



NOTE: WH fire listing is void when using fail safe action.

ANSI/BHMA A156.5 - 1992 - 4-7/8" x 1-1/4" Fits
Cutout Specification A115.1 (with Slight Jamb Modification)
BHMA - Grade 1

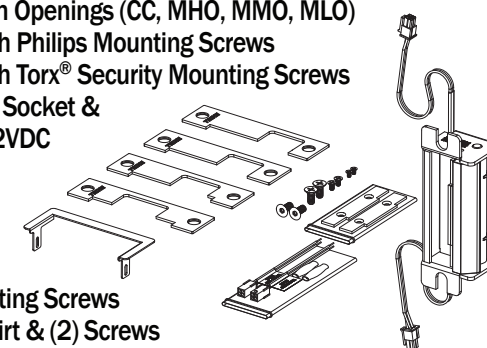
4100 ELECTRICAL CHARACTERISTICS:

Voltage	Current Draw	Power Consumption	Resistance
12DC	.240 A	2.90 W	50 Ω
24DC	.114 A	2.74 W	210 Ω
12AC @ 50-60Hz	.210 A	2.50 W	50 Ω
16AC @ 50-60Hz	.281 A	4.48 W	50 Ω
24AC @ 50-60Hz	.420 A	10.08 W	50 Ω

When removing the connector and using the wires direct;
Red & Blue Wire accepts 12DC & 12-16 AC,
Brown & Blue Wire accepts 24DC.

OPERATING TEMP RANGE: -20 °C TO +40 °C
DO NOT APPLY AN OVER VOLTAGE OF MORE THAN 10% OVER THE RATED OPERATING VOLTAGE OF THE STRIKE OR THE SOLENOID WILL BE DAMAGED.

- WHAT'S IN THE BOX:**
- 1 - (1) 4100 Electric Strike Mechanism
 - 2 - (4) Faceplates with Openings (CC, MHO, MMO, MLO)
 - 3 - (2) #12-40 x 1 inch Phillips Mounting Screws
 - 4 - (2) #12-40 x 1 inch Torx® Security Mounting Screws
 - 5 - (2) Quick Connect Socket & Wire Assembly 12VDC & 24VDC Version
 - 6 - (2) Sealed Crimp Connectors
 - 7 - (2) Latch Spacer Shims & (2) Mounting Screws
 - 8 - (1) Frame Trim Skirt & (2) Screws



COMPATIBLE LOCKSETS:

CC: Centered Cylindrical (Reference HES® J faceplate)
Cylindrical Locksets up to 3/4" throw and all locksets
center lined bolts: Corbin Russwin® Security Bolt, Weiserbolt®.

MHO: Mortise High Offset (Reference HES® KM faceplate)
Accurate®, Arrow®, Best®, Corbin Russwin®, Falcon® (1992M Series),
Sargent® (7800, 8200 & 9200 Series), Yale® (8800).

MMO: Mortise Medium Offset (Reference HES® K faceplate)
Baldwin®, Marks®, PDQ®.

MLO: Mortise Low Offset (Reference HES® KD faceplate) Jackson®,
Sargent® (7700 & 8100), Schlage® (L Series), Yale® (8700).

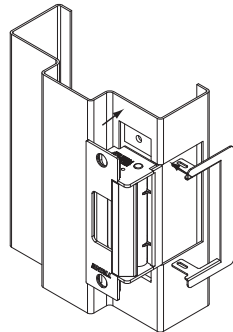
Additional Faceplates:

CCRD - 4-7/8" x 1-1/4" Centered Cavity with Radiused Corners
CRD7 - 6-7/8" x 1-1/4" Tall Centered Cavity with Radiused Corners
CRD8 - 7-15/16" x 1-7/16" Tall Centered Cavity with Radiused Corners
CRD9 - 9" x 1-1/4" Tall Centered Cavity

PREMIUM TRIM SKIRT FOR THE 4100

USING THE TRIM SKIRT

The skirt can be used to clean up the cut line of the frame face during installation. The Trim Skirt comes with 2 screws for fastening to the top and bottom of the 4100.



Available in 6 architectural finishes: US32D, US32, US3, US4, US10, US10B to match the finish of the electric strike and faceplates.

CCTS

If retrofitting for the electric strikes listed below, a separate Skirt may be used to cover the gap left in the frame. Note: Specify the finish of the CCTS so it matches the 4100 you have.

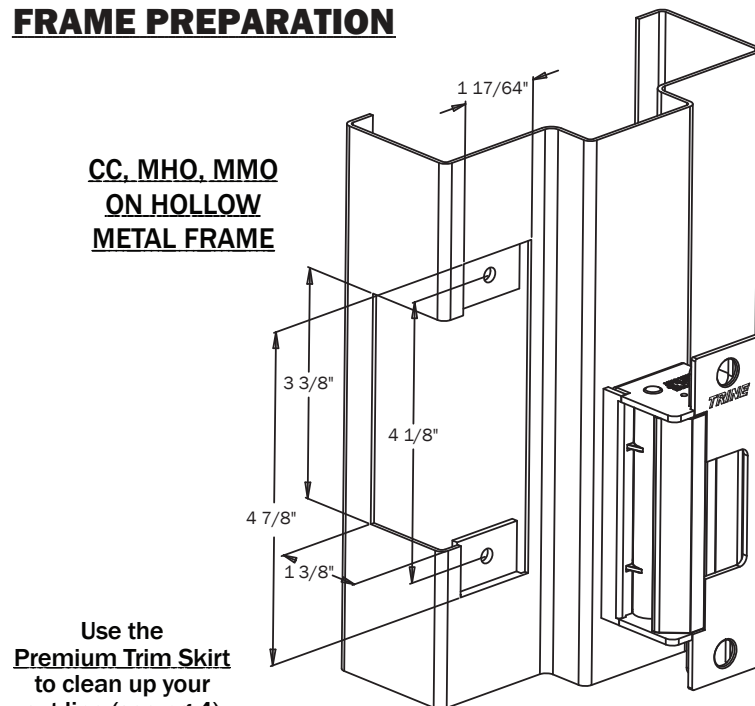
H.E.S.® 1006, Folger Adams® 712/732, Von Duprin® 6200 Series, or Trine EN Series Strikes

RECOMMENDED PRE-INSTALLATION CHECK:

1. Determine that the door swings without interfering with jamb or sill; the door must operate properly in order for the system to provide best results.
2. The door must be equipped with a door closer and the door closer "latch mode" must hold door in a completely closed position in order to avoid the lock latch from applying pressure against the releasing latch portion of the electric strike.
3. Electrical wire connections must be completed and ready to be terminated inside the frame.
4. Confirm that the power line in the frame is the correct voltage and that the switch works properly.
5. Confirm proper clearance exists between the end of the lock latch and jamb.
6. The faceplate opening used on the electric door strike must be centered with lock latch centerline when it is installed on the doorjamb.
7. For best installation results, the door frame must be reasonably flat and straight.

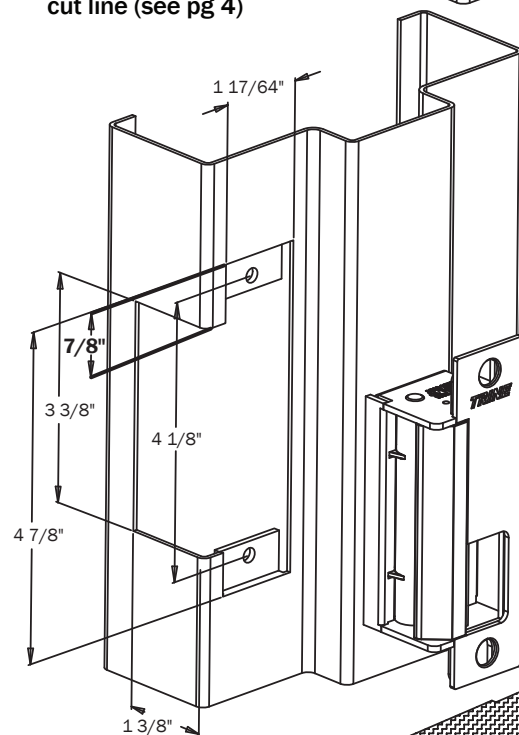
FRAME PREPARATION

CC, MHO, MMO ON HOLLOW METAL FRAME



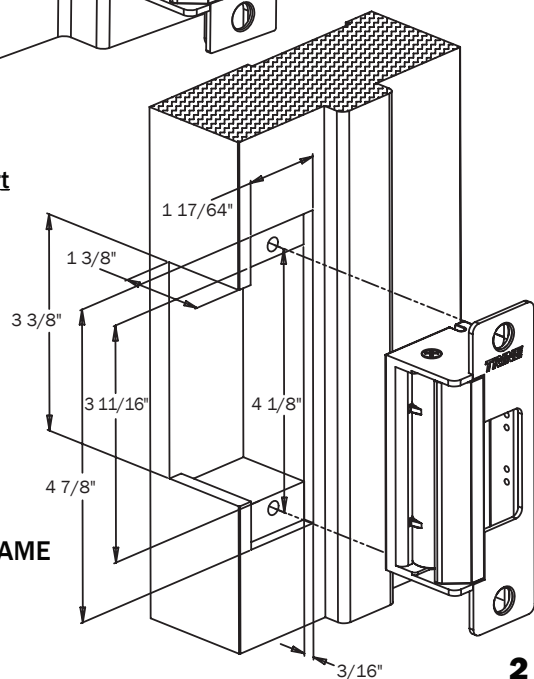
Use the Premium Trim Skirt to clean up your cut line (see pg 4)

MLO ON HOLLOW METAL FRAME (note 7/8" top dimension)



Use the Premium Trim Skirt to clean up your cut line (see pg 4)

ON WOOD FRAME



INSTALLING THE 4100 STRIKE:

NOTE: The 4100 electric strike has two terminal wires to supply power to two separate solenoids.

USE THE BOTTOM WIRE LEADS ONLY.

1. Prepare door frame as shown on page 2 (based on frame type).
2. Pull the switched power wires to the door frame. (Caution: Connect the power ONLY as the last step.)

FLUSH TO FRAME

If the 4100 electric strike does not mount flush to the rabbet of the frame, use the enclosed shims to correct this condition. There are two ways of mounting the shim; 1) between the strike mechanism and the faceplate as shown in figure #2 or 2) between the frame mounting tab and the strike mechanism as shown on figure #3.

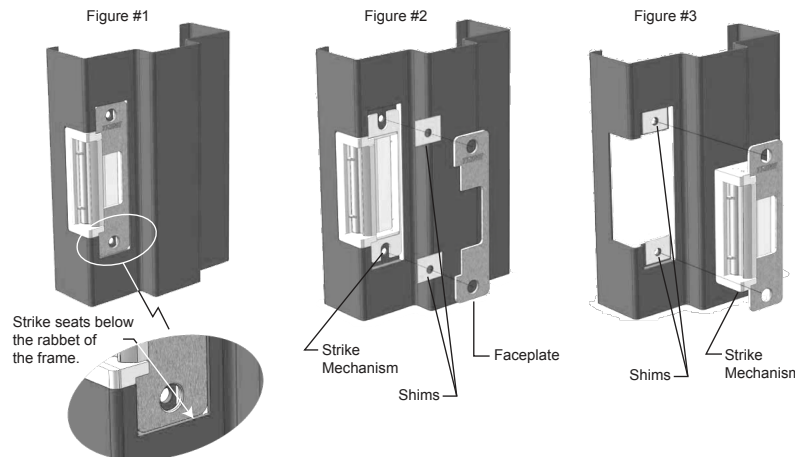
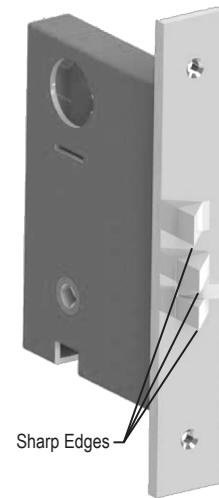


Figure #1



WITH SOME LOCKING MECHANISMS

We have included different kinds of shims and trims to help fix problems that are encountered in the field while installing the 4100.

Here for example is a mortise lock with an anti-friction bolt and dead locking trigger with sharp edges see Figure #1. Depending on the mounting relationship of the strike and the lock, the dead locking trigger can wedge between the faceplate and the latch keeper as shown on Figure #2a & 2b. This can create a pre-load condition on the latch keeper which will prevent the strike from unlocking.

Use the latch shim as shown on Figure #3a & 3b to prevent the dead locking trigger from getting trapped between the latch keeper and the strike faceplate. The faceplate must be notched to clear the latch shim (see Figure #3a).

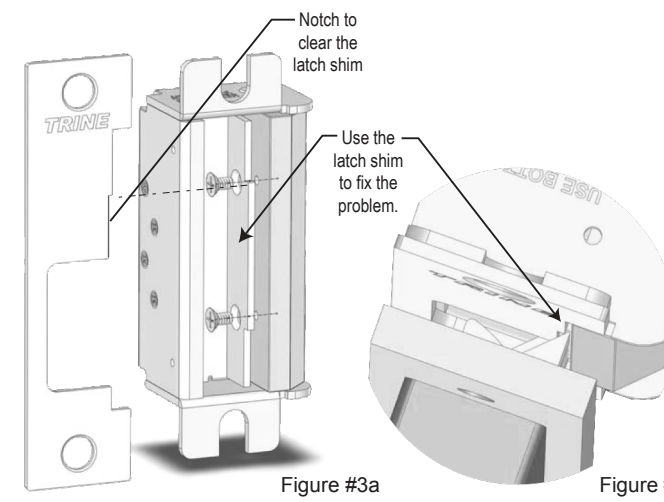


Figure #3a

Figure #3b

3. Carefully choose the quick connect socket to match the required voltage. The quick connect sockets are labeled 12VDC (Blue Wire) or 24VDC (White Wire).

4. Use the crimp connectors to terminate the ends of the quick connect socket to the power wires coming out of the frame.
5. Connect the strikes bottom terminal to the quick connect socket.
6. Tuck the wires inside the door frame.
7. Install the electric strike into the door frame
8. Connect the power supply and turn power on.
9. Test your system.

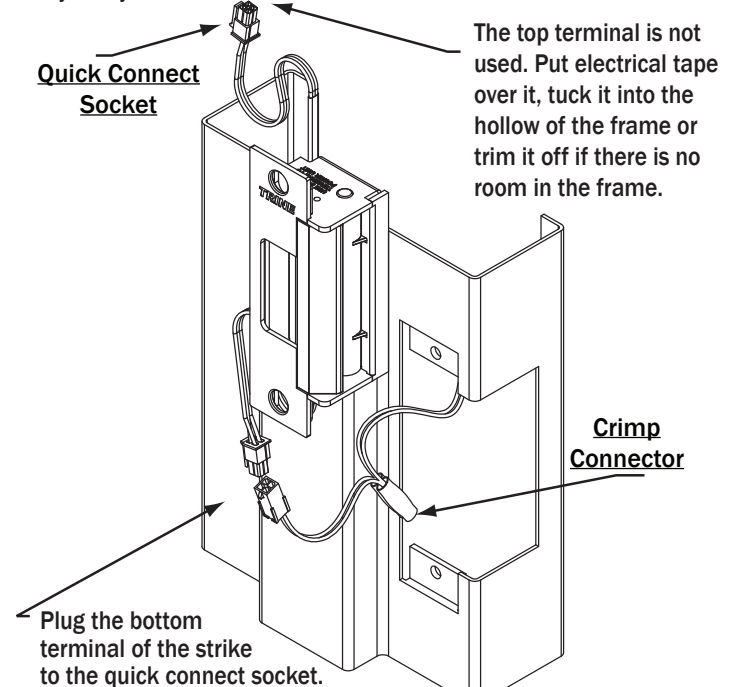


Figure #2b

Dead Locking Trigger Trapped

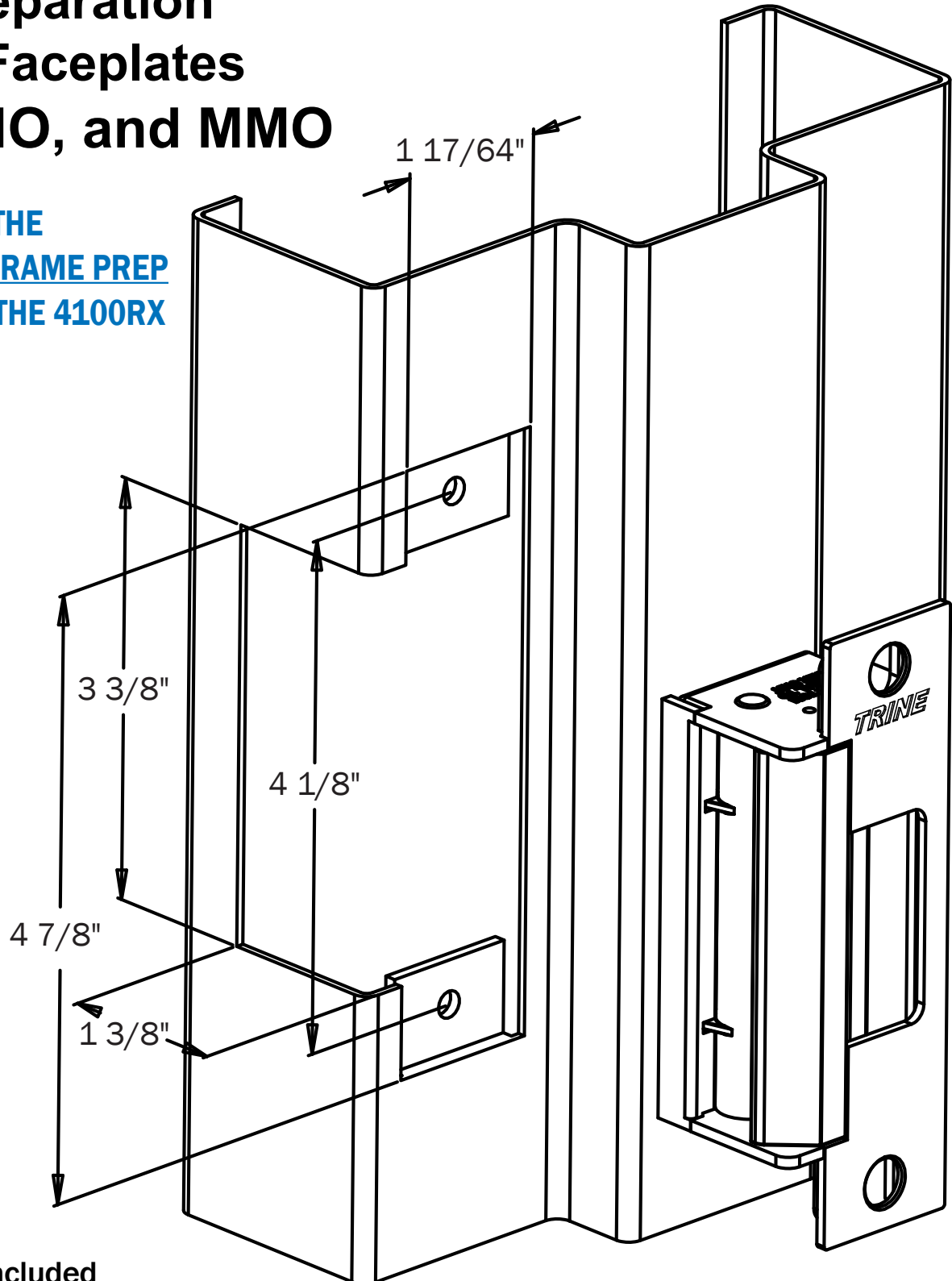
Figure #2a

4100

Electric Strike Metal Frame Preparation for Faceplates

CC, MHO, and MMO

USE THE
4100RX-250 FRAME PREP
WHEN USING THE 4100RX



Use the included
Premium Trim Skirt
to clean up the cut line.

TRINE
ACCESS TECHNOLOGY®

1440 Ferris Place • Bronx • New York • 10461-3699

Telephone Number: (718) 829-2332

Fax Number: (718) 829-6405

Email: CustomerService@Trineonline.com

Website: www.Trineonline.com

4100

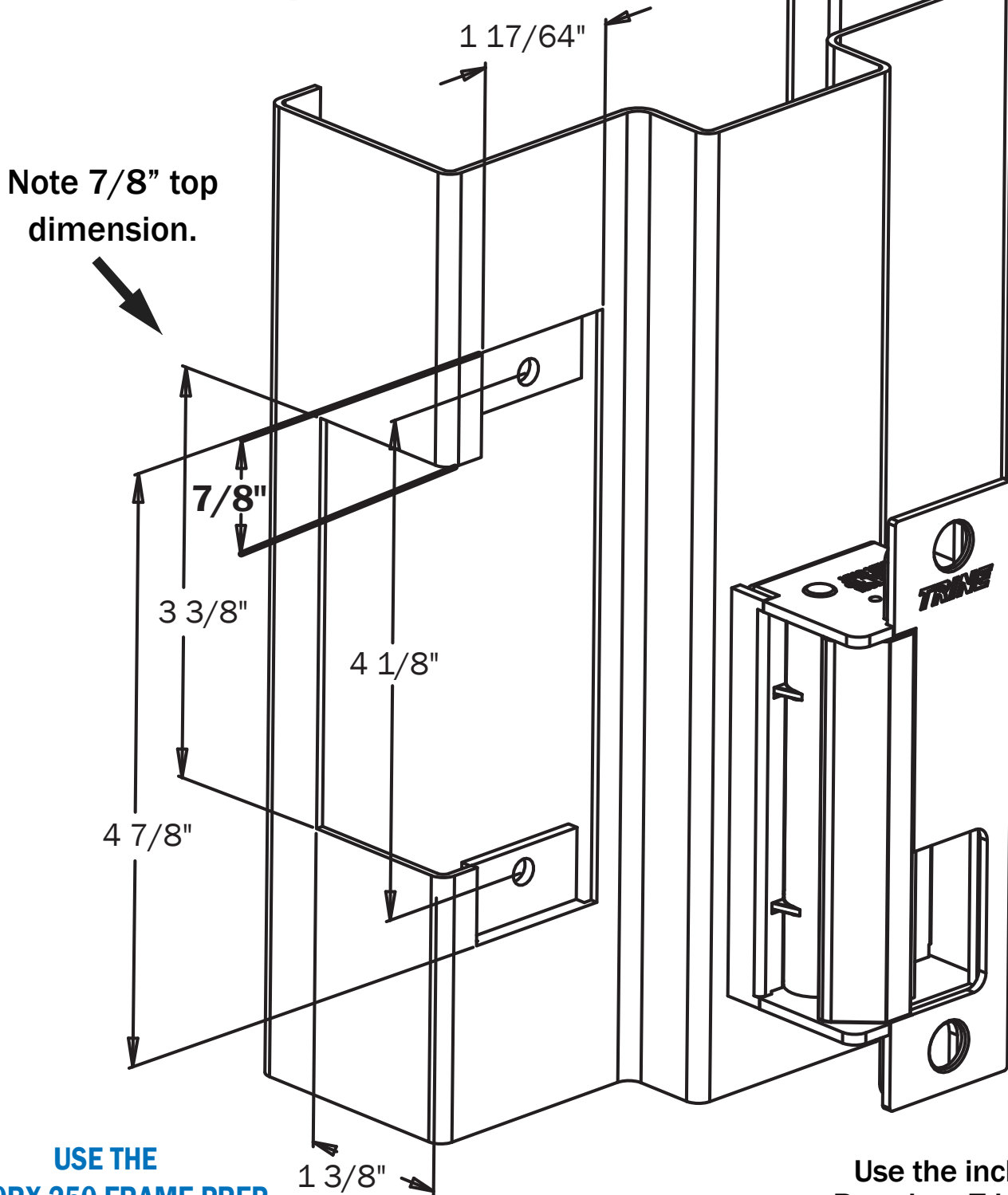
Electric Strike

Metal Frame

Preparation

the MLO Faceplate

TRINE
ACCESS TECHNOLOGY®
1440 Ferris Place • Bronx • New York • 10461-3699
Telephone Number: (718) 829-2332
Fax Number: (718) 829-6405
Email: CustomerService@Trineonline.com
Website: www.Trineonline.com



USE THE
4100RX-250 FRAME PREP
WHEN USING THE 4100RX

Use the included
Premium Trim Skirt
to clean up the cut line.

4100RX-250

Electric Strike

Metal Frame

Preparation

(4100RX-250 ramp extension)



1440 Ferris Place • Bronx • New York • 10461-3699

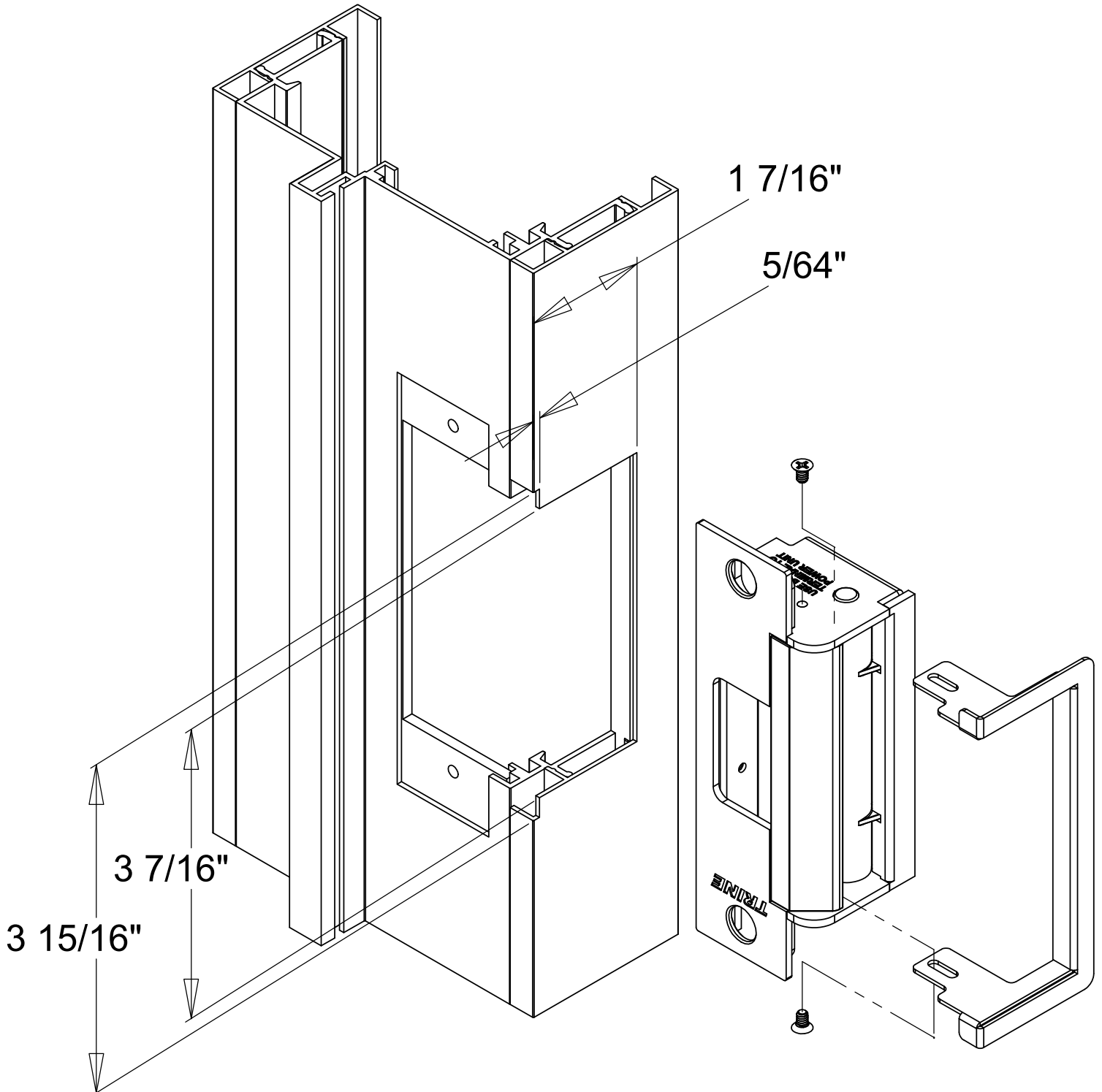
Telephone Number: (718) 829-2332

Fax Number: (718) 829-6405

Email: CustomerService@Trineonline.com

Website: www.Trineonline.com

The 4100RX also works
as a Trim Skirt on installations.



4100

Electric Strike Wood Frame Preparation

ALSO SEE THE
4100RX-250 FRAME PREP
WHEN USING THE 4100RX

TRINE
ACCESS TECHNOLOGY®

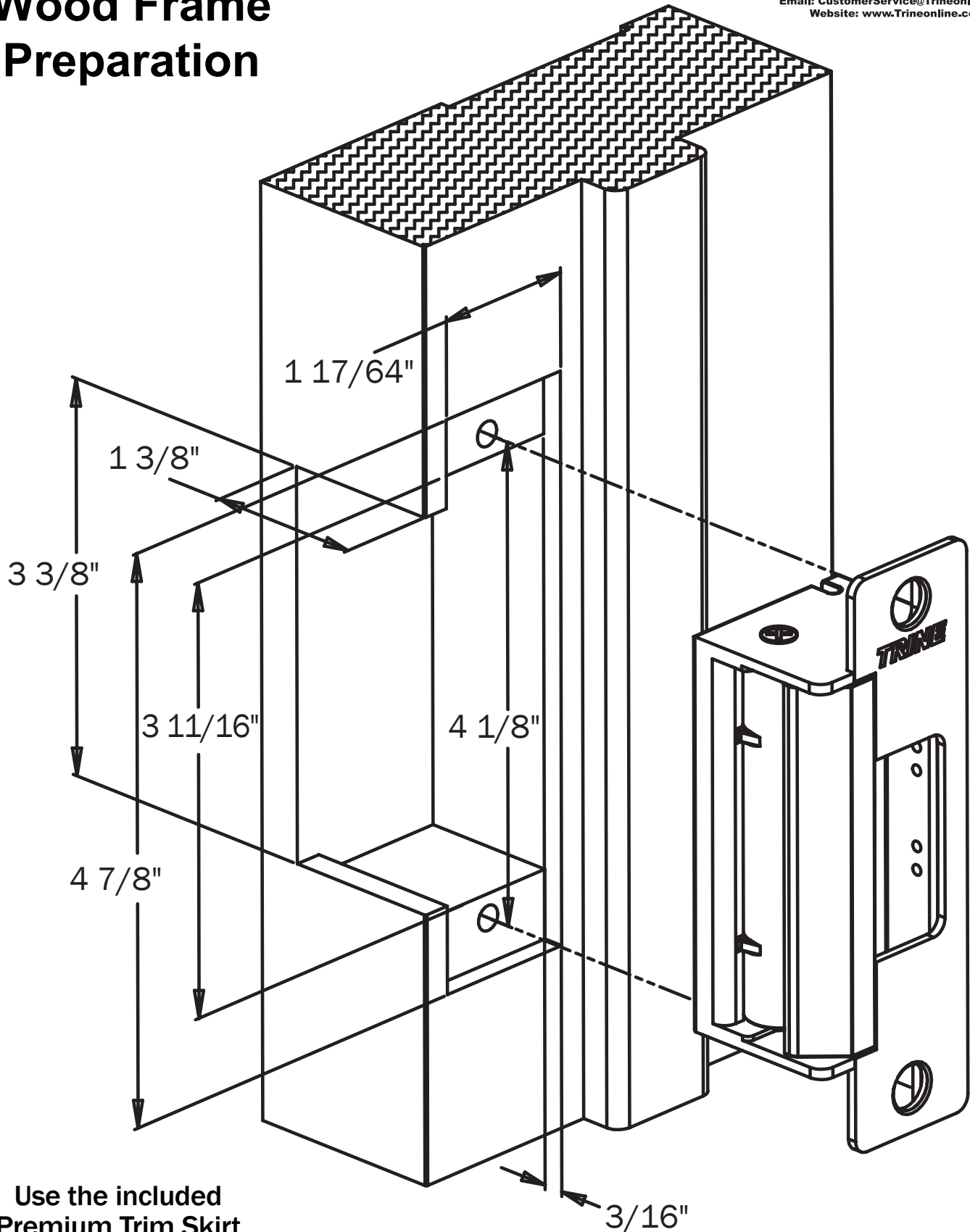
1440 Ferris Place • Bronx • New York • 10461-3699

Telephone Number: (718) 829-2332

Fax Number: (718) 829-6405

Email: CustomerService@Trineonline.com

Website: www.Trineonline.com



Use the included
Premium Trim Skirt
to clean up your cut line.