

323478LC

THE UNIVERSAL ANSI SOLUTION

Contains a 234-26D faceplate, a 478-32D faceplate, and 30LC



STANDARDS:

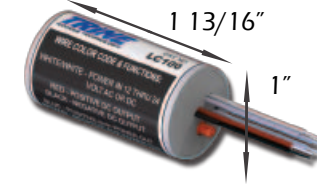
- BHMA - A156.31, 2001
- BHMA, Grade 1 - 3458 & 3478 models
- BHMA, Grade 2 - 3234, 3234W & 3258 models
- Patent #6, 634, 685

GRADE 1 Electric Strikes

- 500,000+ life cycles
- Dynamic Force 70 ft/lb
- Micro solenoid assembly
- Fail secure standard (unlocks with power)
- Latch spacer increases cavity depth 1/16"
- 1,500+ lbs. holding force (1,200 lbs - 334, 3234W)
- Solid cast stainless steel latch
- Non-handed (excepts 3458, 3478 offset)
- Optional Fail safe - "RS" (locks with power)

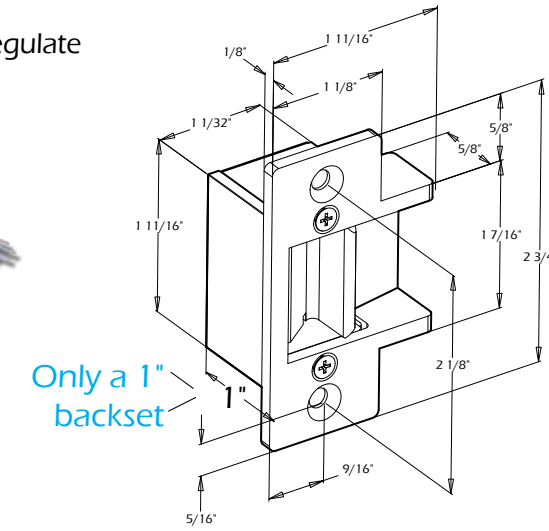
VOLTAGE	CURRENT/AMPS	OHMS	DUTY	SOUND	WIRE COLOR	MODEL
12VDC	.480	25	Intm./Cont.	Silent	Blue	STD.
24VDC	.240	100	Intm.	Silent	White	STD.
LC/RS	PULL IN/HOLD AMPS	OHMS	DUTY	SOUND	WIRE COLOR	MODEL
12VDC	.743/.298	13	Intm./Cont.	Silent	Red	LC
12VAC	.715/.277	13	Intm./Cont.	Silent	Red	LC
24VDC	.397/.170	13	Intm./Cont.	Silent	Red	LC
24VAC	.378/.173	13	Intm./Cont.	Silent	Red	LC

LC-100 Models - utilize an external line conditioner module to regulate input voltages, 12-24 AC or DC, and conditions the output for the pull-in activation period. Then reduces holding voltage output for continuous operation.



OPTIONS:

- Piezo - Buzzer for "Standard Models"
 - BZ-12 Audible buzzer for 12DC power
 - BZ-24 Audible buzzer for 24DC power
- Piezo - Buzzer for "LC Models"
 - BZ-6 Audible buzzer for 6DC power



MECHANISM BODY

The flexibility to stock mechanisms separately from face plates.



MODEL	VOLTAGE	FUNCTION	DUTY
3012	12DC	Fail Secure	Intm.
3024	24DC	Fail Secure	Intm.



MODEL	VOLTAGE	FUNCTION	DUTY
30LC	12-24 AC/DC	Fail Secure	Cont.
30RS	12-24 AC/DC	Fail Safe	Cont.

Line Conditioner (LC) and Fail Safe (RS) Models come factory assembled.

* 3012 and 3024 not to be used with separate LC-100.

Product

234

234X-375

258

458

478

478LO/478RO

478X-375

334



Application

For new or replacement installations in metal frames. Use with cylindrical locksets with up to 5/8" throw, based on 1/8" door gap.

Standard ANSI prep features an extended ramp to accommodate additional frame face of Timely or RediFrame. Ramp is extended 3/8". For new or replacement installations. Use with cylindrical locksets and deadlatches having up to 5/8" throw, based on 1/8" door gap.

80% LESS FRAME CUTTING when compared to typical 4 7/8" electric strike installations. For new or replacement installations in aluminum frames. Use with 4510, 4710 & 4750 Adams Rite dead latches. Replaces 4502 strike plate with slight frame modification.

80% LESS FRAME CUTTING. Fills the frame preparation of Adams Rite MS Locks without relocating tabs for 6 7/8" electric strikes. For new or replacement installations in aluminum frames. Replaces Adams Rite 4730/4501 strike plate with slight frame modification.

60% LESS FRAME CUTTING for ANSI 4 7/8" pre-prep frames. For new or replacement installations in wood, metal or aluminum frames. Use with cylindrical locksets having up to 5/8" throw, based on 1/8" door gap.

60% LESS FRAME CUTTING of Frame Face for ANSI 4 7/8" pre-prep frames. For new or replacement installations in wood, metal or aluminum frames. The strike opening on this face plate is offset by 3/16" the center to accommodate door sag.

Frame features an extended ramp to accommodate additional frame face of Timely/Redi - Frame. Ramp is extended 3/8". For new or replacement installations. Use with cylindrical locksets and deadlatches having up to 5/8" throw, based on 1/8" door gap.

For new or replacement installations in wood frames. Use with cylindrical locksets with up to 5/8" throw, based on 1/8" door gap.

Specifications

ANSI 2 3/4" Standard • Face Plate 2-3/4" x 1-1/8" • Mortise Backset 1" Cavity Depth 1/2" • Cavity Width 5/8" • Cavity Height 1 1/8"

ANSI 2 3/4" Standard • Face Plate 2-3/4" x 1-1/8" • Mortise Backset 1" Cavity Depth 1/2" • Cavity Width 5/8" • Cavity Height 1 1/8"

*Great for wood doors with molding *

Face Plate 2-3/4" x 1-1/8" • Mortise Backset 1" • Cavity Depth 1/2" Cavity Width 5/8" • Cavity Height 1 1/8"

Face Plate 4-5/8" x 1-9/16" • Mortise Backset 1" • Cavity Depth 1/2" Cavity Width 5/8" • Cavity Height 1 1/8"

ANSI A115.1 slight frame modification • Face Plate 4-7/8" x 1-1/4" Mortise Backset 1" • Cavity Depth 1/2" • Cavity Width 5/8" Cavity Height 1 1/8"

Face Plate 4 7/8" x 1-1/4" • Mortise Backset 1" • Cavity Depth 1/2" Cavity Width 5/8" • Cavity Height 1 1/8"

ANSI A115.1 slight frame modification • Face Plate 4-7/8" x 1-1/4" Mortise Backset 1" • Cavity Depth 1/2" • Cavity Width 5/8" Cavity Height 1 1/8"

*Great for wood doors with molding *

Face Plate 3-3/4" x 1-1/4" • Mortise Backset 1" • Cavity Depth 1/2" Cavity Width 5/8" • Cavity Height 1 1/8"

Finishes

234-3 - Bright Brass 234-4 - Satin Brass
234-10B - Dark Bronze 234-26D - Satin Chrome

234X-3 - Bright Brass
234X-10B - Dark Bronze
234X-26D - Satin Chrome

258-10B - Dark Bronze
258-26D - Satin Chrome

458-10B - Dark Bronze 458-32D - Satin Stainless **MUST SPECIFY LEFT OR RIGHT HAND**

478-3 - Bright Brass 478-26 - Bright Chrome
478-4 - Satin Brass 478-32D - Satin Stainless
478-10B - Dark Bronze

478-10B - Dark Bronze 478-26 - Bright Chrome
478-32D - Satin Stainless **MUST SPECIFY LEFT OR RIGHT HAND (LO or RO)**

478X-3 - Bright Brass
478X-10B - Dark Bronze
478X-32D - Satin Stainless

334-3 - Bright Brass 334-26D - Satin Chrome
334-4 - Satin Brass

THE 3000 SERIES

Frame Preps

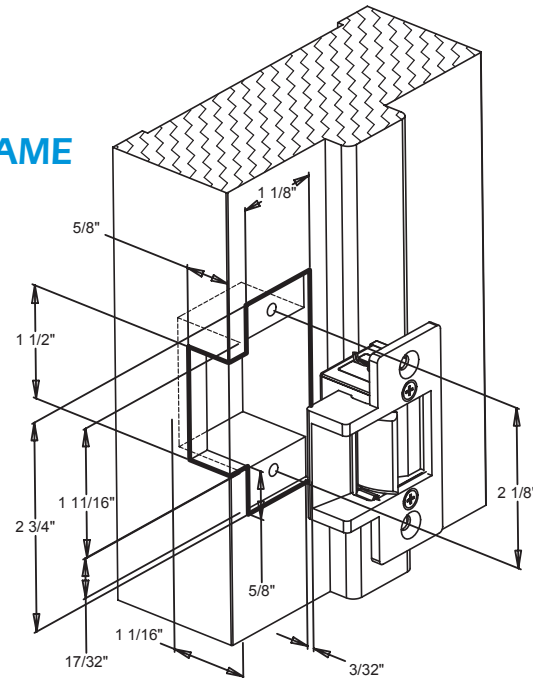


THE 3000 SERIES

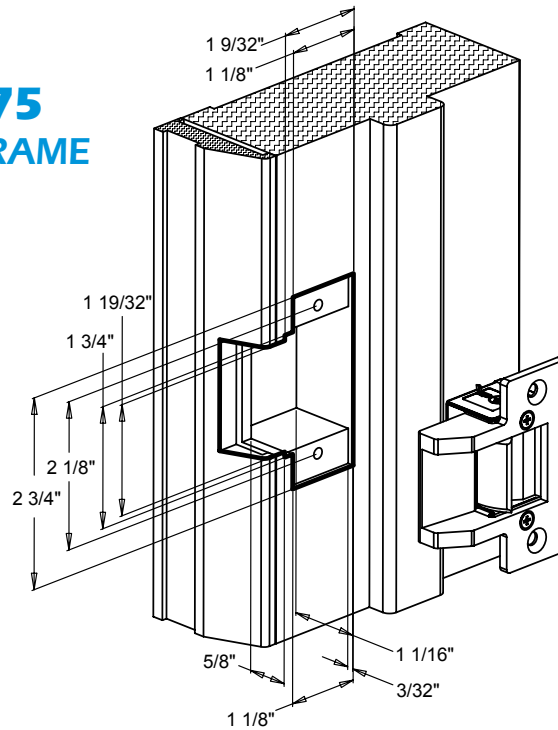
Smallest Strikes in the World

FOR ADDITIONAL FRAME PREPS AND DIMENSIONS GO TO: WWW.TRINEONLINE.COM

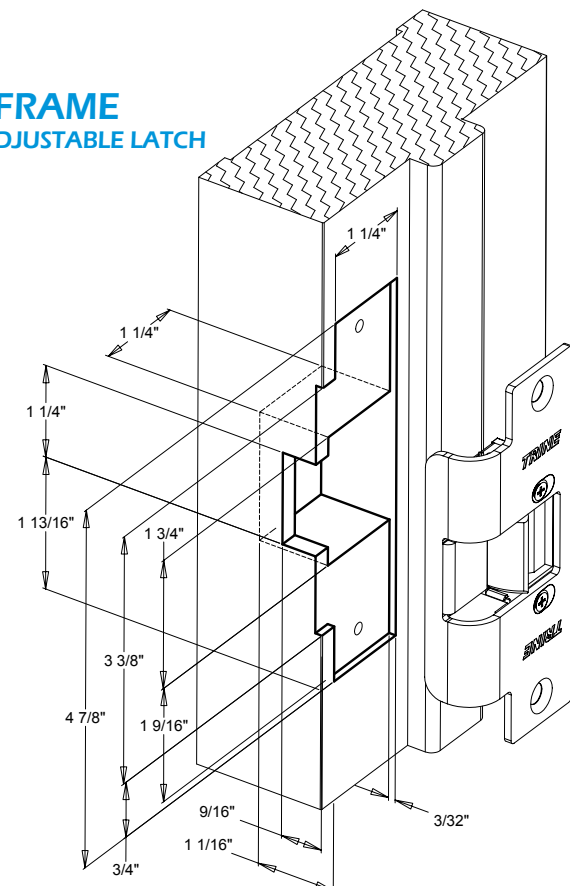
234
WOOD FRAME



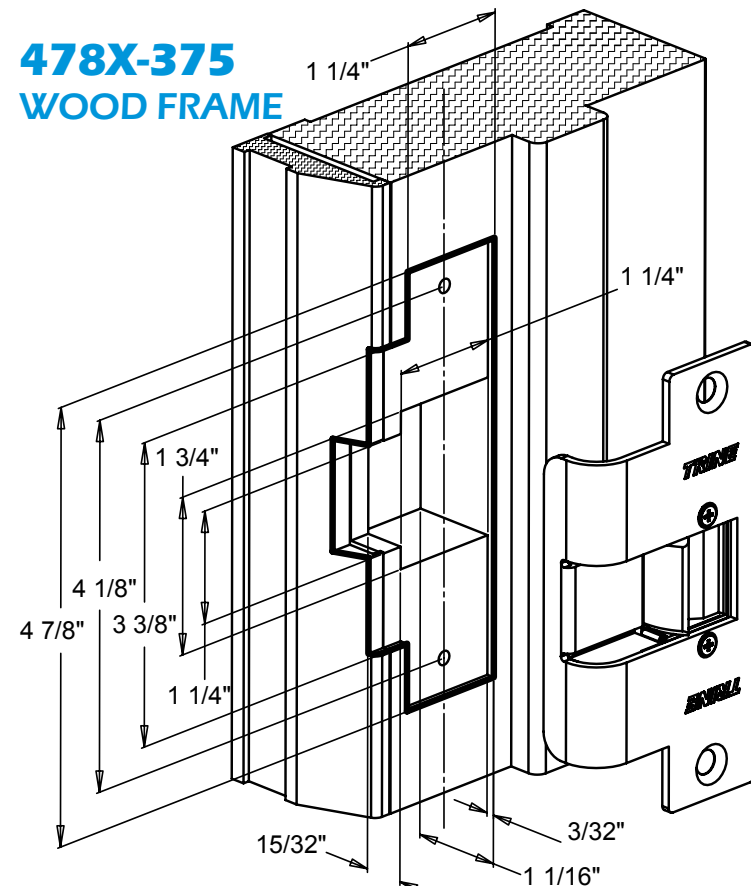
234X-375
WOOD FRAME



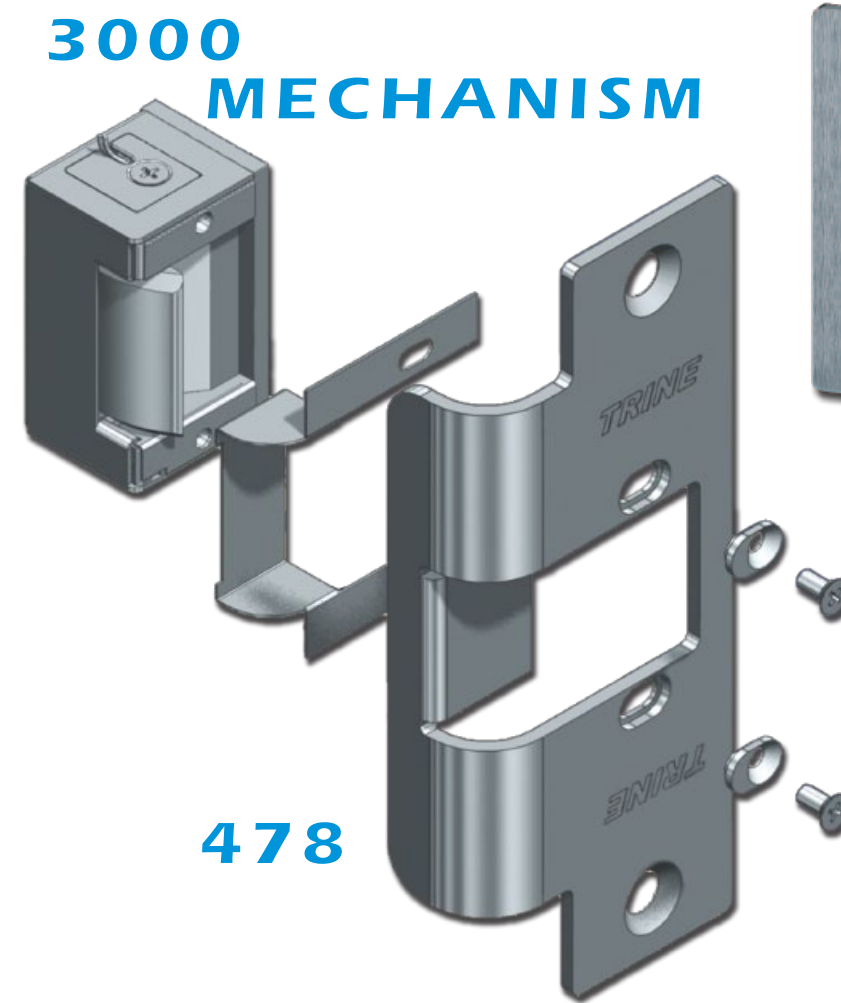
478
WOOD FRAME
WITH 1/8" ADJUSTABLE LATCH



478X-375
WOOD FRAME



3000
MECHANISM



234X

Key Features:

- 234X
- 478 Faceplate comes with 1/8" horizontal adjustments; guaranteed not to move.
- Only a 1" backset - The Smallest strikes in the world!
- GRADE 1 - Strike and Faceplate 500,000 + life cycles 1,500 + lbs. holding force
- Accepts a bolt with a up to 5/8" throw
- Fail secure - standard action

478

COMPARE AESTHETICS



MOST STRIKES HAVE THE UGLY BLACK RAMPS - Everyone has come to expect this look when using electric strikes

Don't accept ugly.

THE AXION SOLUTION

478 FACEPLATE

Looks like a traditional "Strike Plate." One piece of stainless steel. **ALL ONE COLOR**



NOTE: USE 2 INCH LONG (OR LONGER) WOOD SCREWS FOR MOUNTING

THE ONE BOX "KIT" SOLUTION FOR THE 3000 SERIES



FOR CYLINDRICAL LOCKS

323478LC KIT

323478LC Includes:

- (1) 234-26D – 2 3/4" Faceplate
- (1) 234X-375-26D – 2 3/4" Faceplate with extended ramp
- (1) 478-32D – 4 7/8" Faceplate
- (1) 478-CCFP - Competitor Cutout Filler Plate
- (1) 30LC - 11-29 AC & DC Mechanism



30LC

478-CCFP

Covers the cutout left by competitor strikes.

See pg 34 for more details



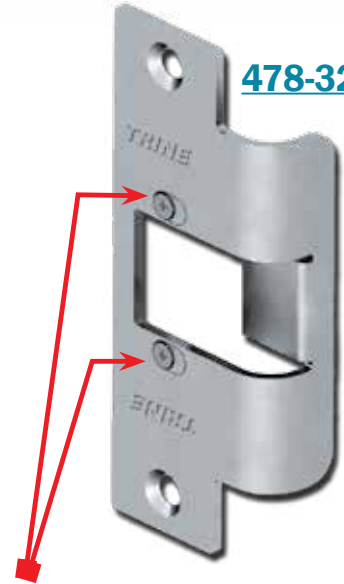
234-26D

For the smallest electric strike cutout!



234X-26D

Designed for Timely®/Redi® Frames. Great for Wood!



478-32D

Patented horizontal adjustment feature – guaranteed not to move!

FOR DEADLATCHES AND ALUMINUM FRAMES 3258458LC KIT

3258458LC Includes:

- (1) 258 – 2 3/4" Faceplate
- (1) 458LH – 4 5/8" Left Handed Faceplate
- (1) 458RH – 4 5/8" Right Handed Faceplate
- (1) 30LC - 11-29 AC & DC Mechanism



30LC



458RH



458LH



258

Fills frame preparation for many Adams Rite® Locks without relocating tabs.

Finishes:

3258458LC-ALUM
(Aluminum Powder Coat)

3258458LC-DKBZ
(Dark Bronze Powder Coat)

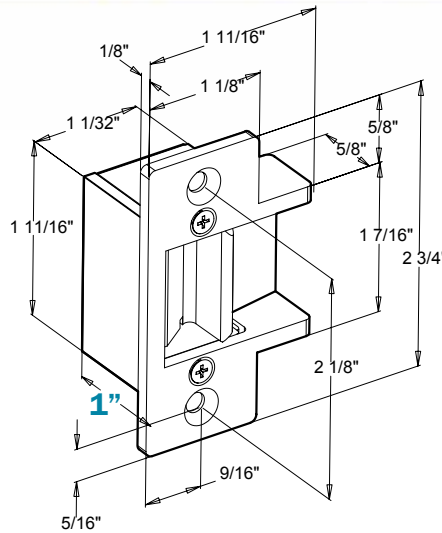
80% LESS FRAME CUTTING.

Smallest aluminum solution available - Great for glass store fronts



**234 Faceplate -
Smallest Electric
Strike in the World**

For new or replacement installations in metal frames. Use with cylindrical locksets having up to 5/8" throw, based on 1/8" door gap.



234-26D
(Satin Chrome - BHMA651)
234-US10B
(Dark Bronze - BHMA613)
234-US3
(Bright Brass - BHMA605)
234-US4
(Satin Brass - BHMA606)

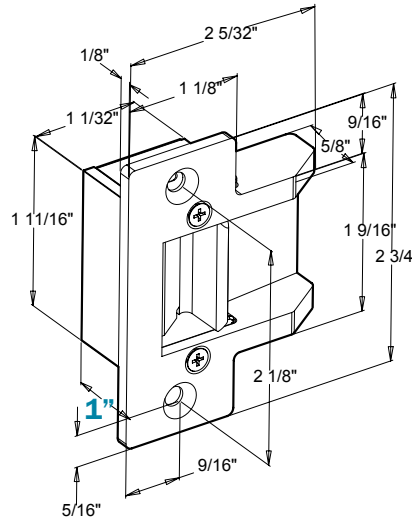
**Match with any 3000 Mechanism:
3012, 3024, 30LC, 30RS**



**234X-375
Extended Faceplate**

Standard ANSI prep features an extended ramp to accommodate additional face of

Timely®/Redi® frames. Ramp is extended 3/8". For new or replacement installations. Use with cylindrical locksets having up to 5/8" throw, based on 1/8" door gap.



234X-375-26D
(Satin Chrome - BHMA651)
234X-375-US10B
(Dark Bronze - BHMA613)
234X-375-US3
(Bright Brass - BHMA605)

**Match with any 3000 Mechanism:
3012, 3024, 30LC, 30RS**

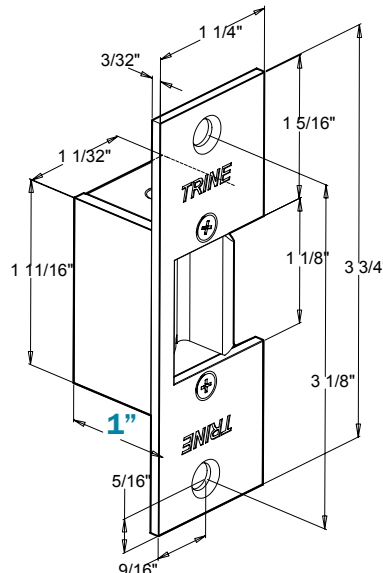
Great for wood frames!

Made for Timely®/Redi® Frames



334 Faceplate

For new or replacement installations in wood frames. Use with cylindrical locksets with up to 5/8" throw, based on 1/8" door gap.



334-26D
(Satin Chrome - BHMA651)
334-US3
(Bright Brass - BHMA605)
334-US4
(Satin Brass - BHMA606)

**Match with any 3000 Mechanism:
3012, 3024, 30LC, 30RS**

THE SMALLEST ELECTRIC STRIKE IN THE WORLD
THE 3000 SERIES

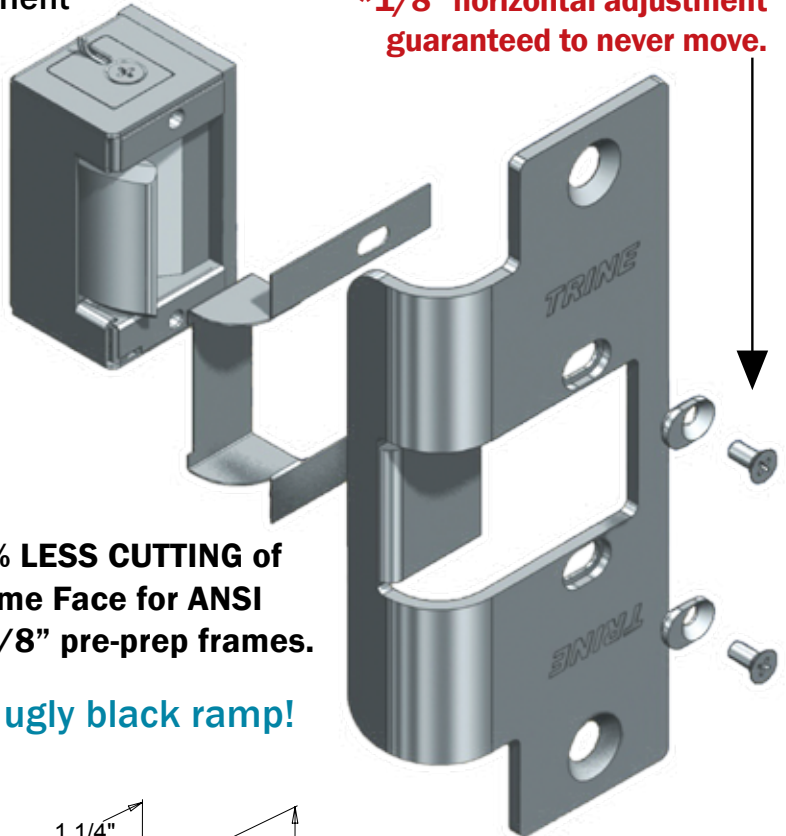


478

Adjustable ANSI Faceplate

For new or replacement installation in wood, metal or aluminum frames. Use with cylindrical locksets having up to 5/8" throw, based on 1/8" door gap.

***1/8" horizontal adjustment guaranteed to never move.**



478-CCFP

NOW INCLUDED WITH THE 478 FACEPLATE!

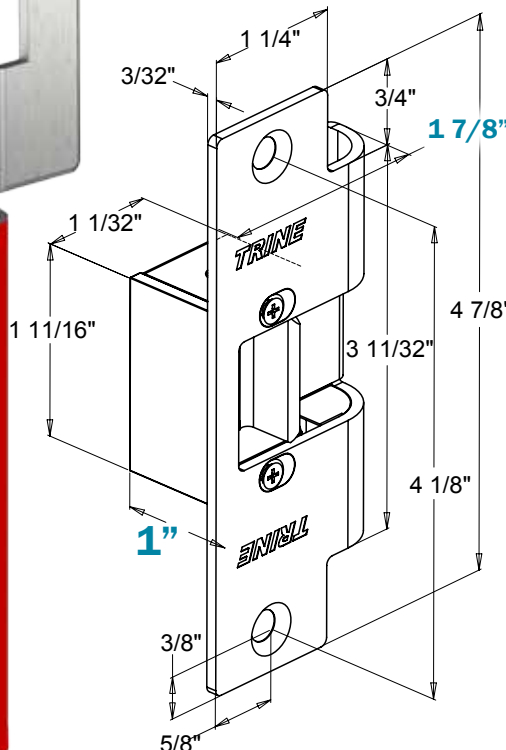
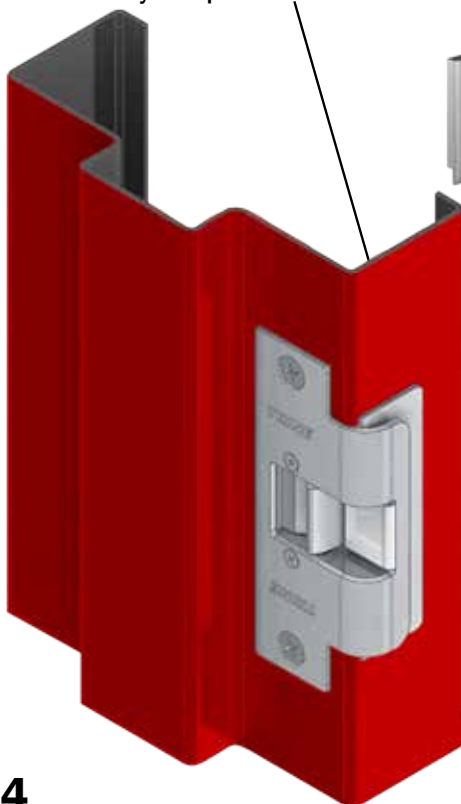
Competitor Cutout Filler Plate

Stainless plate designed to fill in the hole left by competitor models.



60% LESS CUTTING of Frame Face for ANSI 4 7/8" pre-prep frames.

No ugly black ramp!



- 478-32D**
(Satin Stainless Steel – BHMA630)
- 478-32**
(Polished Stainless Steel – BHMA629)
- 478-US10B**
(Dark Bronze – BHMA613)
- 478-US3**
(Bright Brass – BHMA605)
- 478-US4**
(Satin Brass – BHMA606)

RD (Radiused Corners)

Match with any 3000 Mechanism:
3012, 3024, 30LC, 30RS

See page 38 for all frame prep details.

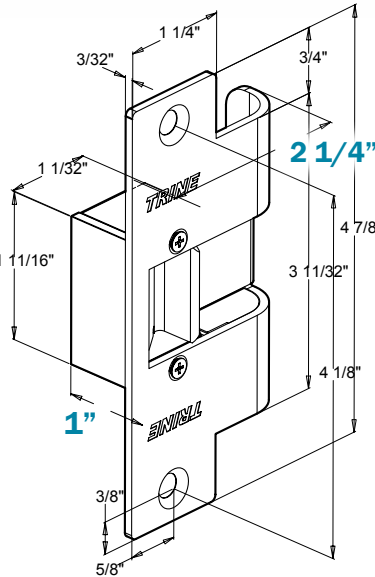
478X-375 Extended Faceplate



Frame features an extended ramp to accommodate additional face of **Timely®/Redi®** frames. Use with cylindrical locksets and deadlatches having up to 5/8" throw, based on 1/8" door gap.

Provides a finished look for wood frames with trim.

See page 40 for frame prep.



478X-375-32D
(Satin Stainless Steel – BHMA630)
478X-375-US10B
(Dark Bronze – BHMA613)
478X-375-US3
(Bright Brass – BHMA605)

RD (Radiused Corners)

Match with any 3000 Mechanism:
3012, 3024, 30LC, 30RS

Ramp Extends .375"



GOODBYE UNATTRACTIVE BLACK RAMPS!

- Extended ramp (.375") accommodates snap-on additional frame face of Timely® & Redi® Frames.
- Eliminates traditional 4 7/8" ANSI strike cutting and black ramp extensions.
- Forward mounting of mechanism helps prevent door pre-load.

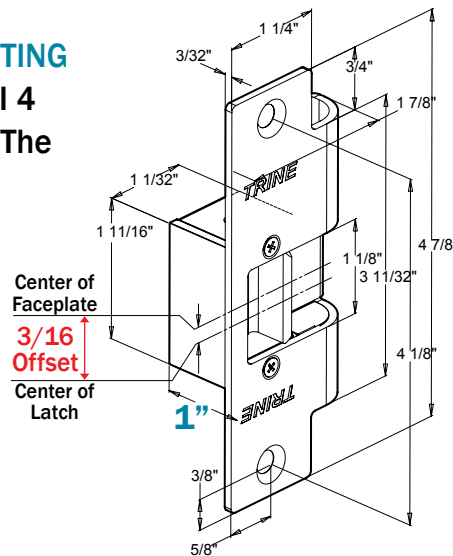
Made for Timely®/Redi® Frames

478LO / 478RO Faceplate

60% LESS FRAME CUTTING of Frame Face for ANSI 4 7/8" pre-prep frames. The strike opening on this face plate is **offset by 3/16"** from the center to accommodate door sag for the 478 (just change faceplates, and use the same mechanism)



RO-Right Handed Strike Shown



NOTE: RIGHT HAND SHOWN HERE

478RO/LO-32D
(Satin Stainless Steel – BHMA630)
478RO/LO-32
(Polished Stainless Steel – BHMA629)
478RO/LO-US10B
(Dark Bronze – BHMA613)

RD (Radiused Corners)

****Offset strike - Must Specify Handing****

Match with any 3000 Mechanism:
3012, 3024, 30LC, 30RS

Accommodates for door sag.

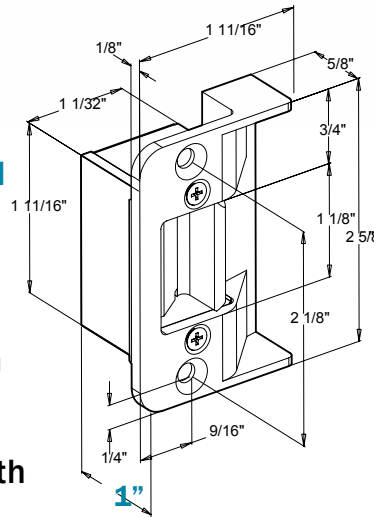
THE SMALLEST ELECTRIC STRIKE IN THE WORLD
THE 3000 SERIES



258 Faceplate

80% less frame cutting when compared to typical 4 7/8" electric strike installations.

For new or replacement installations in aluminum frames. Use with 4510, 4710 & 4750 Adams Rite® dead latches. Replaces 4502 strike plate with slight modification.



258-26D
 (Satin Chrome - BHMA651)
258-US10B
 (Dark Bronze - BHMA613)

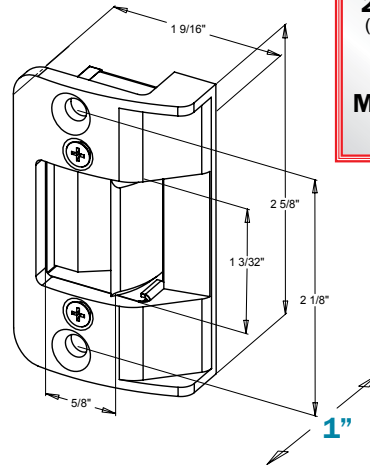
Match with any 3000 Mechanism:
 3012, 3024, 30LC, 30RS



258RD Radiused Faceplate

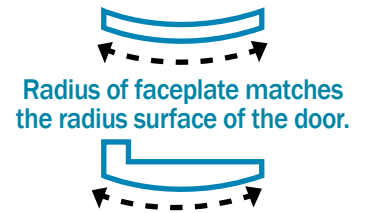
80% less door cutting when compared to typical 4 7/8" electric strike installations.

For new or replacement installations in aluminum doors. Use with 4510, 4710 & 4750 Adams Rite® dead latches. Replaces 4502 & 4900 strike plate with slight modification.



258RD-26D
 (Satin Chrome - BHMA651)
258RD-US10B
 (Dark Bronze - BHMA613)

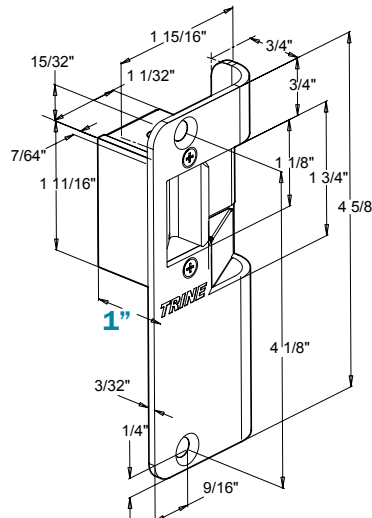
Match with any 3000 Mechanism:
 3012, 3024, 30LC, 30RS



458 Faceplate

80% LESS FRAME CUTTING.

Fills the frame preparation of Adams Rite® MS Locks without relocating tabs for 6 7/8" electric strikes. For new or replacement installations in aluminum frames. Replaces Adams Rite® 4730/4501 strike plate with slight frame modification.



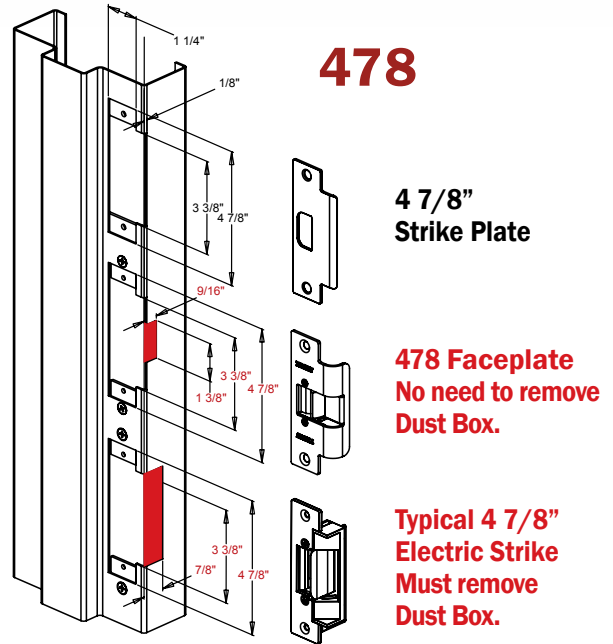
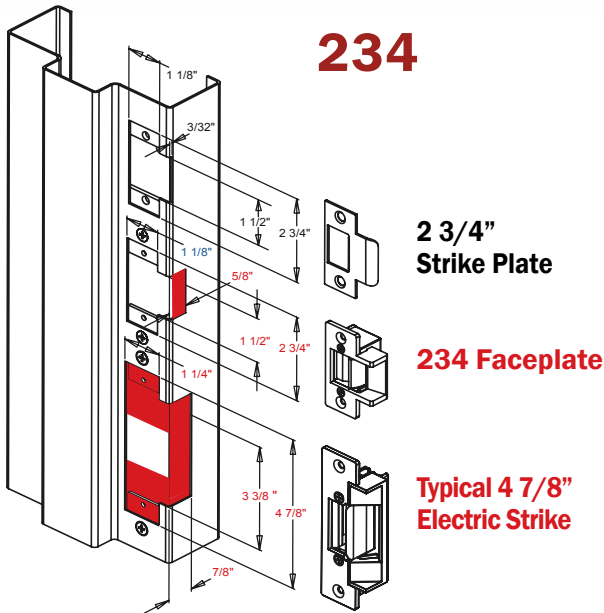
458-32D
 (Satin Stainless Steel - BHMA630)
458-US10B
 (Dark Bronze - BHMA613)

Match with any 3000 Mechanism:
 3012, 3024, 30LC, 30RS

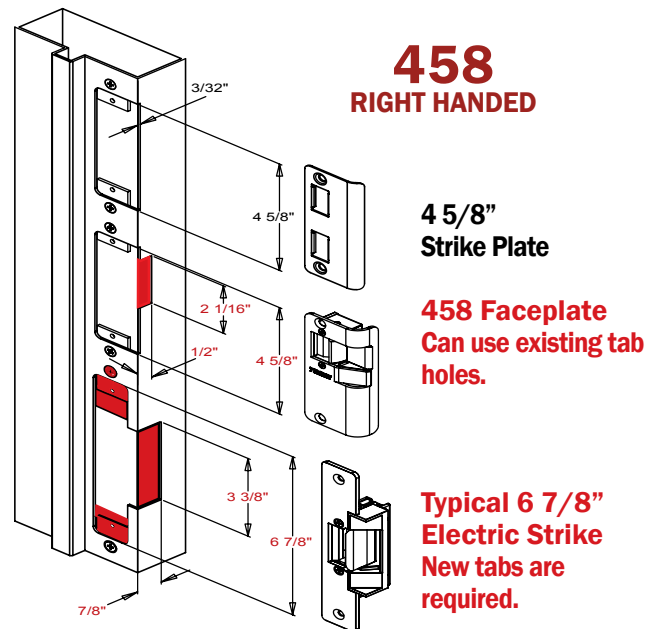
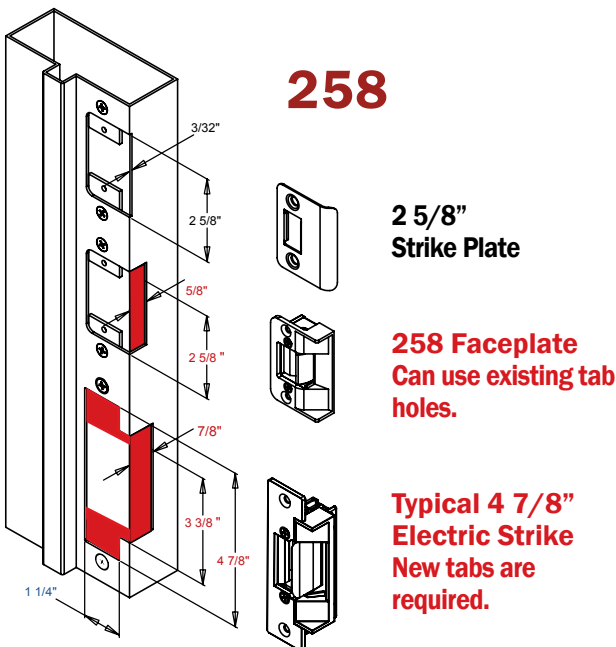
****Must Specify Handing****

RO-Right Handed Strike Shown

ANSI FACEPLATE SOLUTIONS



ALUMINUM FACEPLATE SOLUTIONS



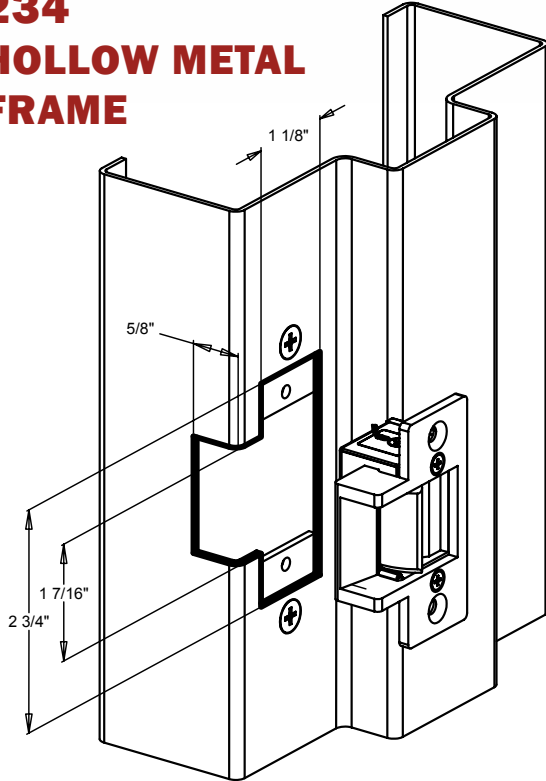
RED ON DIAGRAM = AMOUNT OF CUTTING
3000 SERIES STRIKES REDUCE AMOUNT OF LABOR, TIME, AND MATERIAL LOST ON DOOR FRAME

Note: 3000 series strikes not recommended for use on exterior doors.

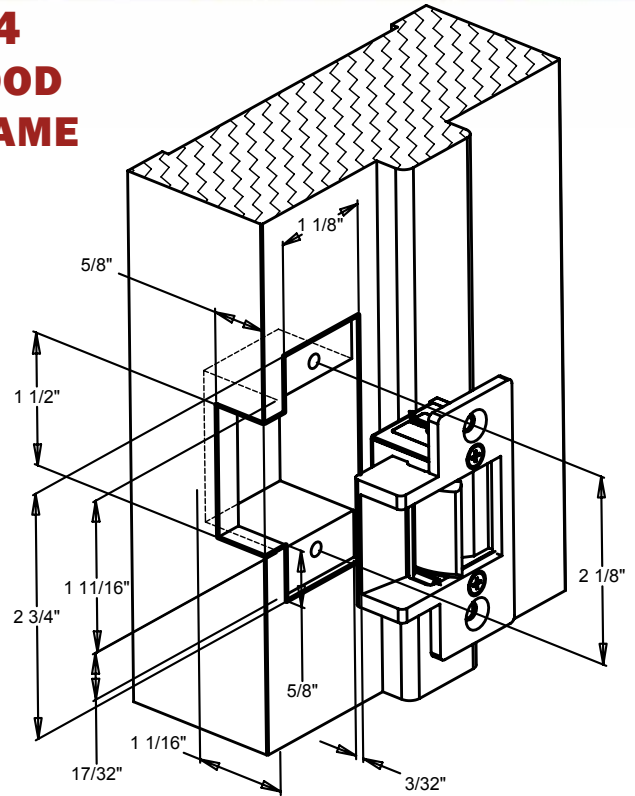
FRAME PREPS THE 3000 SERIES



234 HOLLOW METAL FRAME

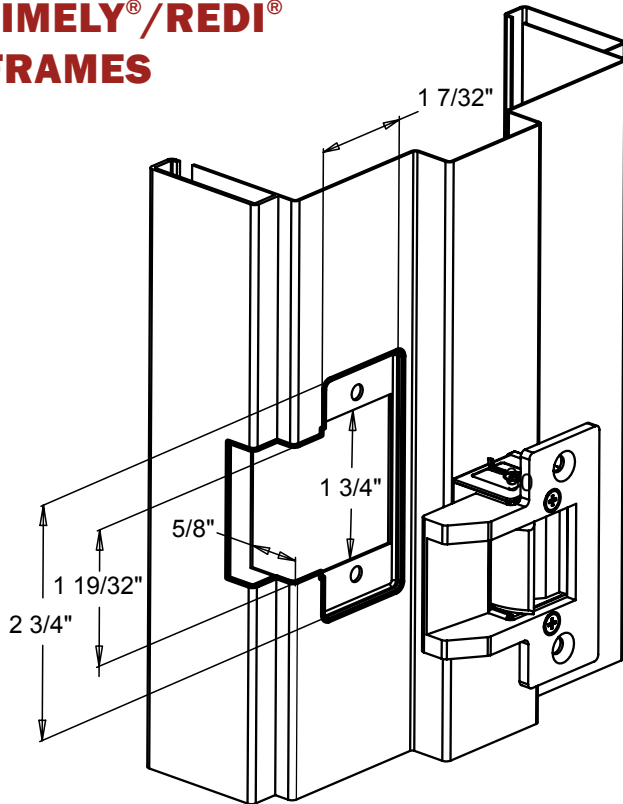


234 WOOD FRAME

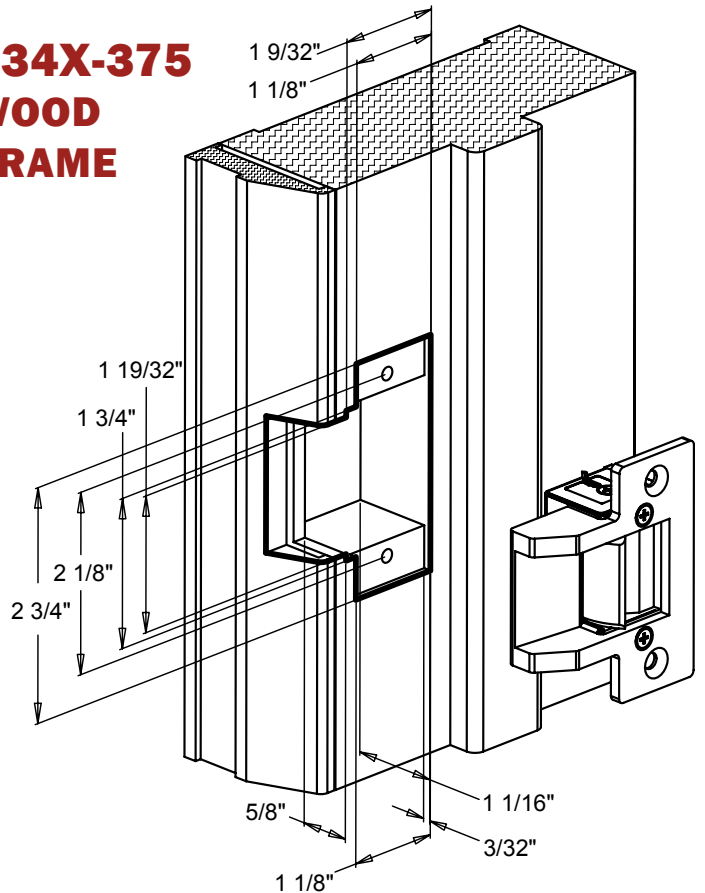


NOTE: USE 2 INCH LONG (OR LONGER) WOOD SCREWS FOR MOUNTING.

234X-375 TIMELY®/REDI® FRAMES

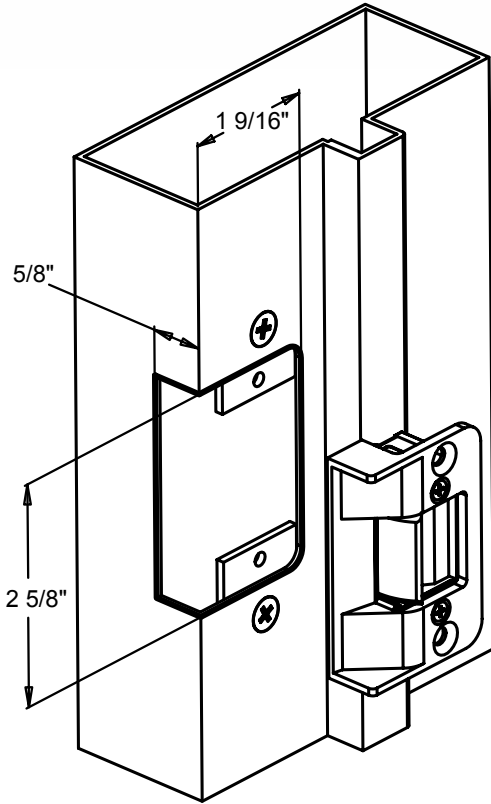


234X-375 WOOD FRAME

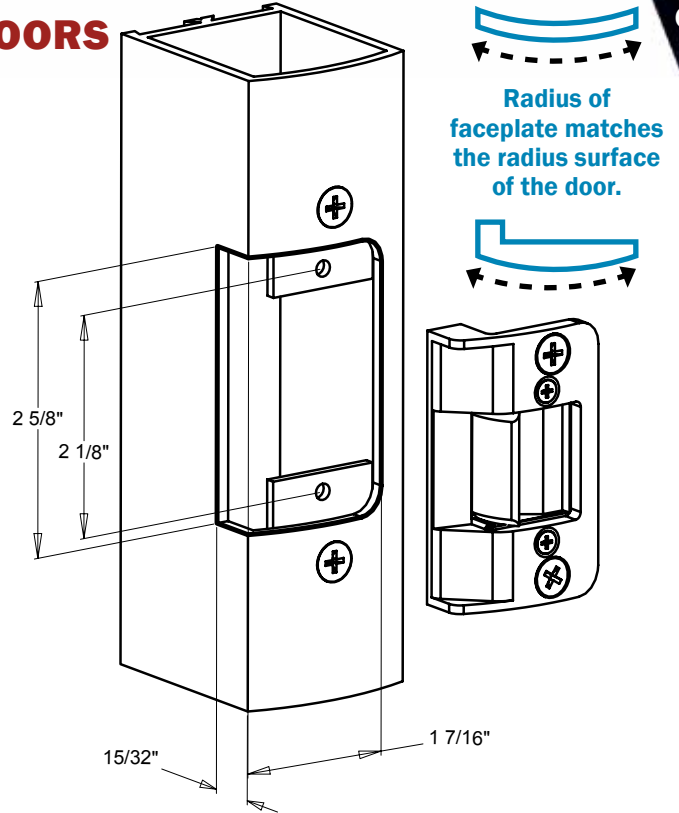


NOTE: USE 2 INCH LONG (OR LONGER) WOOD SCREWS FOR MOUNTING.

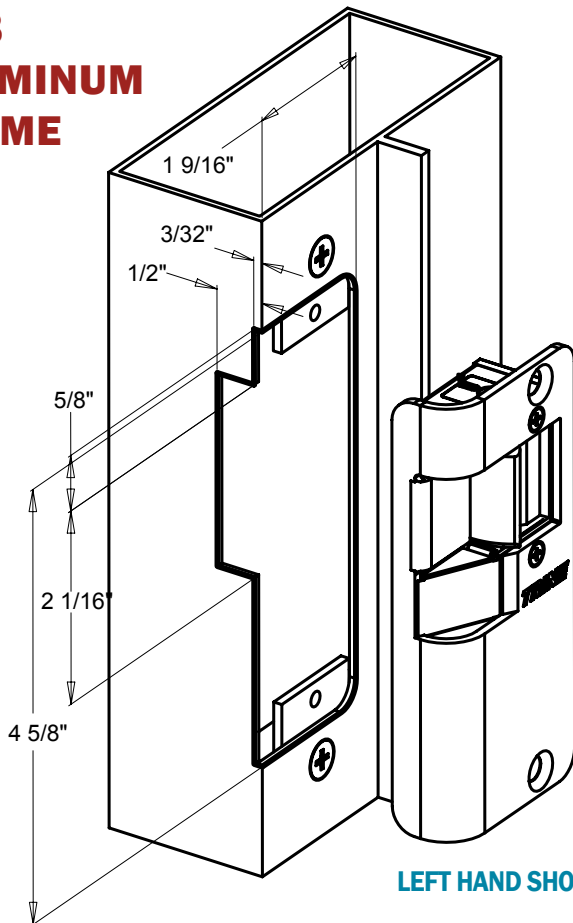
258 ALUMINUM FRAME



258RD ALUMINUM DOORS

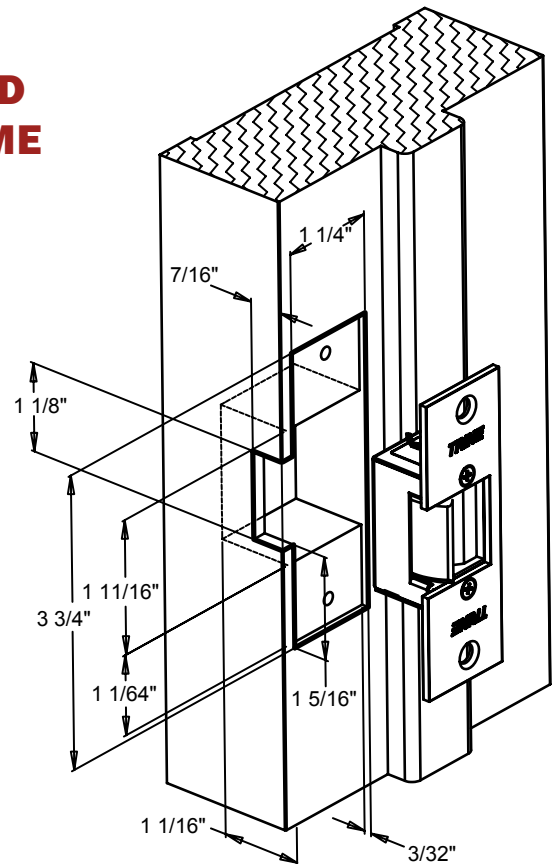


458 ALUMINUM FRAME



LEFT HAND SHOWN

334 WOOD FRAME

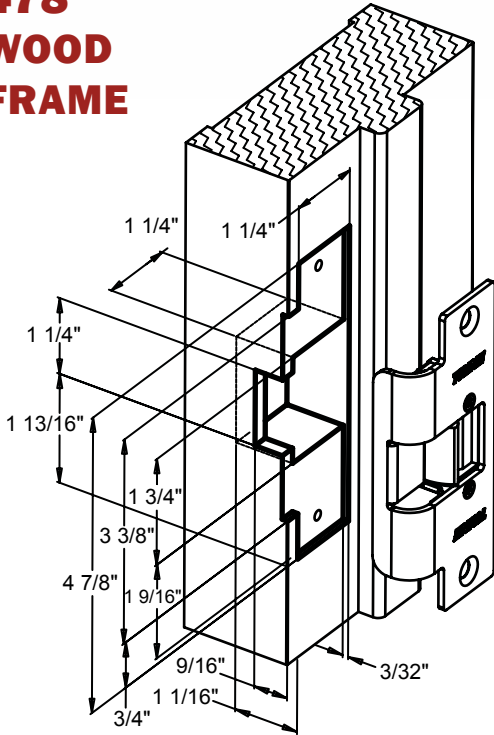


NOTE: USE 2 INCH LONG (OR LONGER) WOOD SCREWS FOR MOUNTING.

FRAME PREPS THE 3000 SERIES



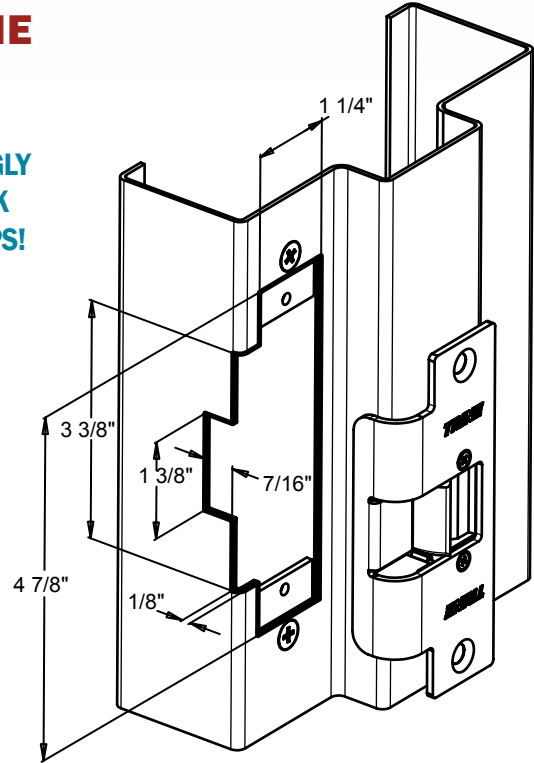
478 WOOD FRAME



NOTE: USE 2 INCH LONG (OR LONGER) WOOD SCREWS FOR MOUNTING.

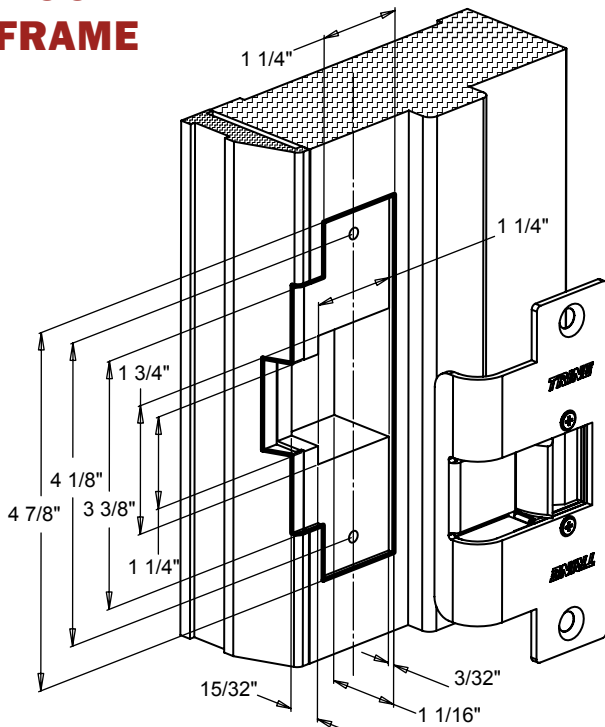
478 HOLLOW METAL FRAME

NO UGLY
BLACK
RAMPS!

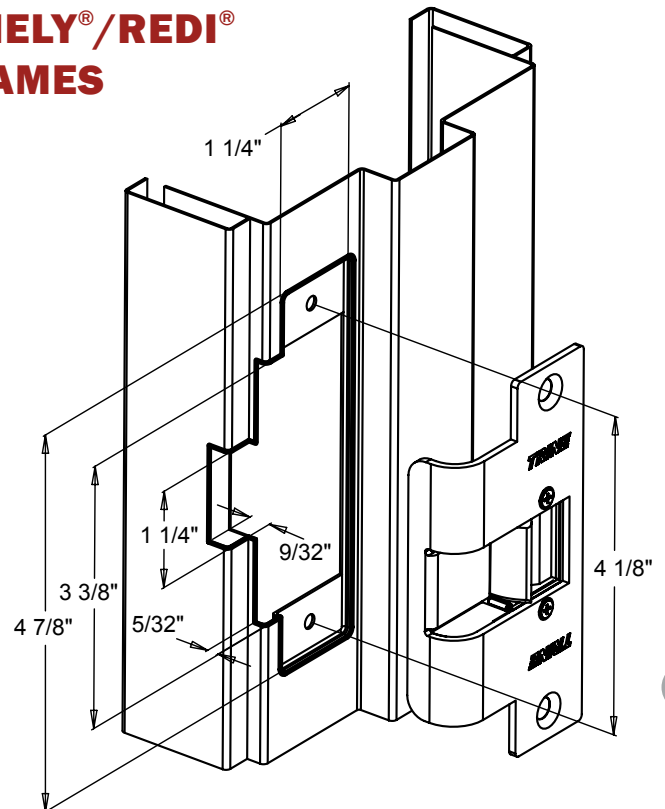


478X-375 WOOD FRAME

BEST LOOKING WOOD
INSTALLATION



478X-375 TIMELY®/REDI® FRAMES



NOTE: USE 2 INCH LONG (OR LONGER) WOOD SCREWS FOR MOUNTING.