

ELECTROMECHANICAL AUTOMATIC OPERATORS

LCN's electromechanical products are designed primarily for automatic opening applications that occasionally require manual opening. A control box provides all electrical functions. These self-contained units are suitable for use on single leaf doors or pair of doors. These products combine all the control and power elements into a single operator package, only some actuators are required to complete the system.

- Surface mounted and overhead concealed mountings available.
- Available in two standard anodized finishes – Aluminum and Dark Bronze.

LOW ENERGY ELECTROMECHANICAL POWER OPERATORS

- Complies with ANSI 156.19.
- Opening time from full close to backcheck is no faster than 3 seconds.
- Less than 15 lbs of force to open door manually.

STANDARDS, LISTINGS & APPROVALS

- UL listed for self-closing doors without hold open. UL 325.
- Tested and certified under ANSI.
- Low Energy Electromechanical Operators ANSI 156.19.
- ADA Compliant.
- Wiring is compliant with both UL 325 and the NEC. Separation of high and low voltage.
- Consult the factory for other listings.

WARRANTY

- 2 year limited warranty. See General Information Section for complete details.

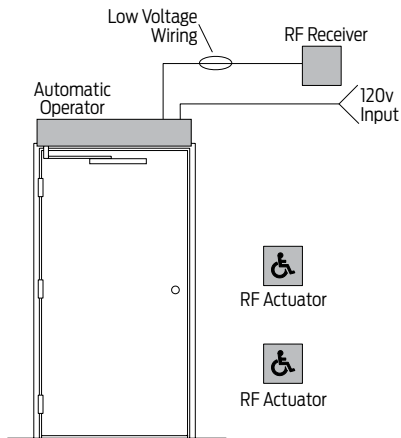
MAINTENANCE

Low Energy Electromechanical Power Operators

- Operators mounted according to the LCN Installation instructions require no periodic maintenance or adjustments.
- Periodic visual inspections are recommended.
- No service contracts.

This page illustrates examples of typical Electromechanical LCN systems. Please consult your local SSC representative of LCN for assistance with specific installations and material requirements.

SINGLE DOOR SYSTEMS



SINGLE DOOR SYSTEM (WIRELESS)

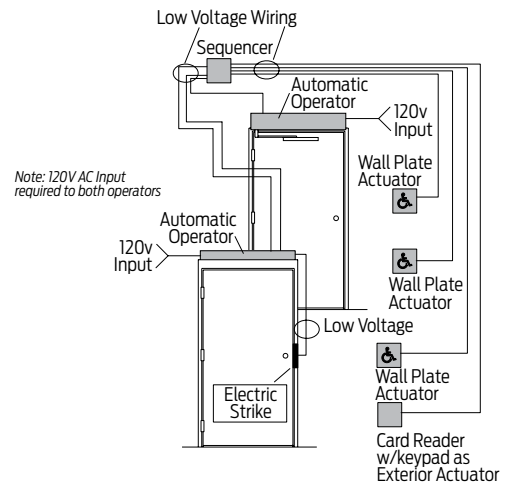
- An interior door
- Guide rails or safety devices not required
- Free swinging (or dogged) door

How It Works:

- Wireless actuators with receiver, powered by the transformer allows for easy installation
- For automatic door operation, touching either actuator signals the receiver and power operator to open the door to 90 degrees
- The door is held there until the system times out
- Door closes via spring return
- Door opening speed, closing speed and hold open time is adjustable on the control box
- If not actuated, the power operator functions as a manual door

Bill Of Materials:	Qty.	Part No.	Description
	1	9531	Automatic Operator (RH)
	2	8310-3853WS	Wireless Actuators
	1	8310-865	Wireless Receiver

VESTIBULE ENTRY OPERATION



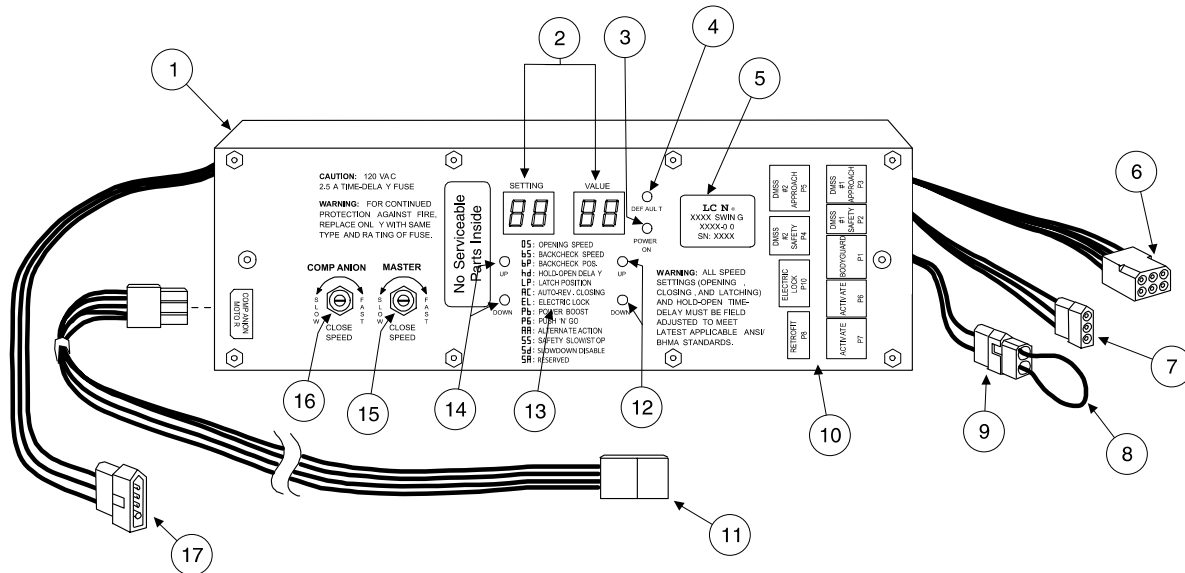
VESTIBULE ENTRY SYSTEM (WIRED)

- Exterior & vestibule doors
- Sequential operation
- Guide rails or safety devices not required
- Controlled access, free egress

How It Works:

- This installation provides both accessibility and security for building occupants
- It allows for the integration of multiple automatic operators, a card reader and electric strike
- A sequencer allows sequential operation of the two automatic operators
- Vestibule actuators allow single door ingress/ egress from the vestibule as needed
- If not actuated the power operator functions as a manual door

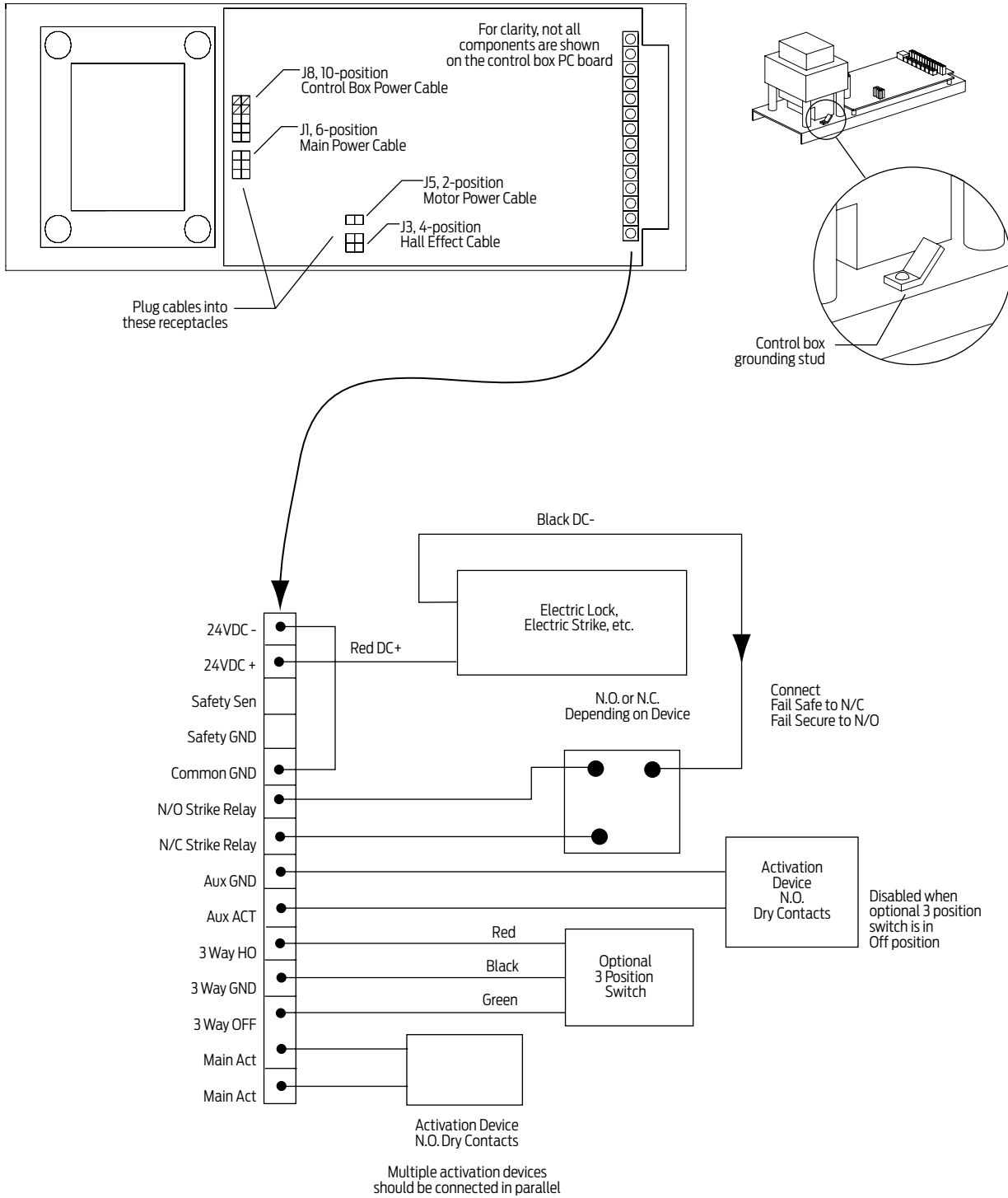
Bill Of Materials:	Qty.	Part No.	Description
	1	9542	Automatic operator (RH)
	1	9531	Automatic operator (RH)
	3	8310-853	Wall Plate Actuators
	1	8310-849	Sequencer
	Other products from Von Duprin and Schlage Electronics		



CONTROL BOX - 2800, 9500 SERIES

1. Control Box, 115VAC 60Hz, or 240 VAC 50/60 Hz
2. Seven Segment Display
3. Power Indicator
4. Factory Default Push Button
5. Model Identification Label
6. 6-Pin Connector for Master Motor
7. 3-Pin Connector for 3 Position Switch
8. Breakaway Jumper Cable
9. 2-Pin Connector for Breakaway Switch
10. Accessory Direct Connect Diagram
11. 6-Pin Connector for Companion Motor (supply only w/ simultaneous pairs)
12. Value Adjustment Push Buttons
13. Setting Adjustment Menu
14. Function Adjustment Push Buttons
15. Closing Speed Adjustment Dial (Master)
16. Closing Speed Adjustment Dial (Companion)
17. 3-Pin Connector for AC power

STANDARD CONTROL BOX - 9100 SERIES



GENERAL ELECTRICAL DATA

1. The 115/240 volt power supply must be a dedicated circuit from the main circuit breaker panel and must not be connected into a building lighting system operating fluorescent lights.
2. Location of conduits determined by mounting. See installation instructions for location.

2800, 9500, SERIES

Electrical Data

1. 120 VAC 60Hz input @ 2.5 amps (2800 and 9500 Series).
2. 240 VAC 50/60 Hz @ 2.5 amps (2800, and 9500 Series).
3. 24 V AC output @ 1.5 amps (protected by self-resetting thermal fuse).
4. 24 V DC available with SO kit included.

9100, SERIES

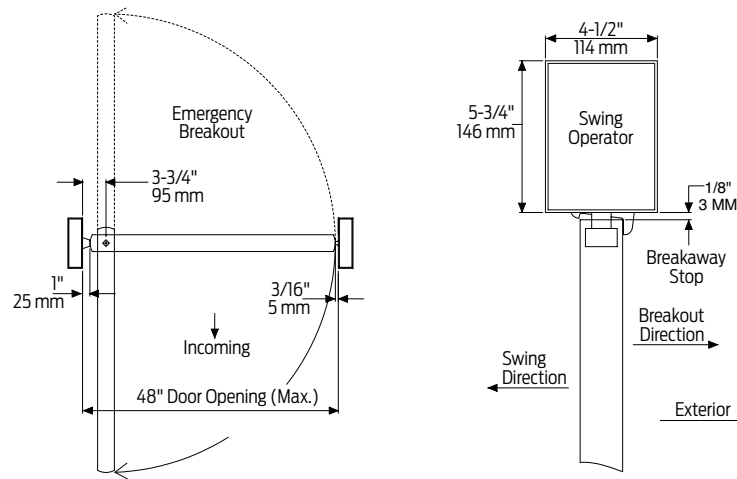
Electrical Data

1. 120 VAC input @ 1 amp.
2. 24 VDC output @ 2.5 amps.

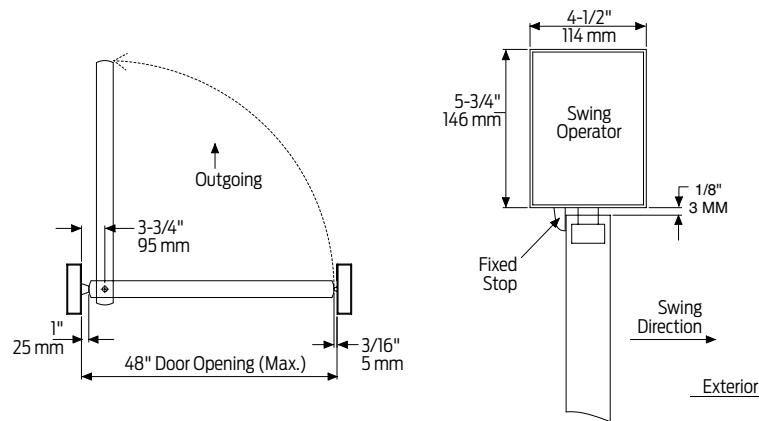
2810 Series Senior Swing

Mounting details

Concealed Single Door Mounting



Center pivot, emergency breakaway, pull
Shown w/ 3-3/4" pivot and finger guard

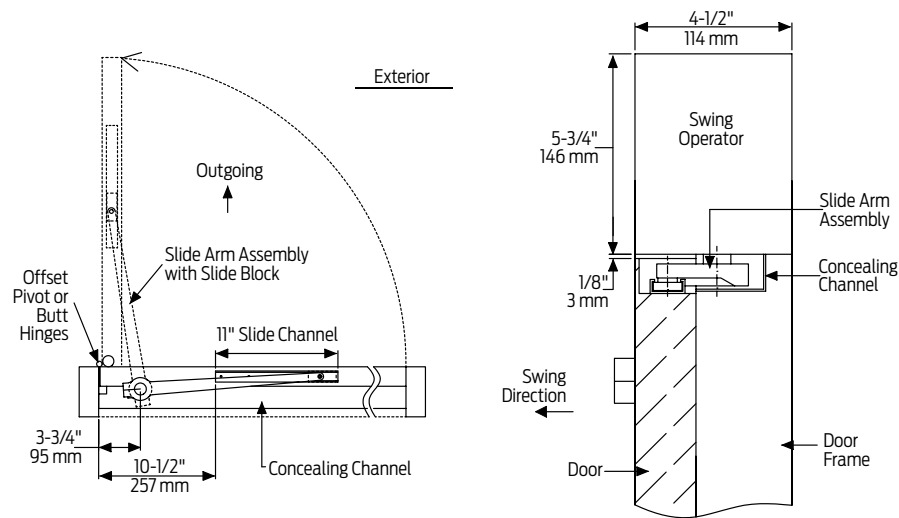


Center pivot, fixed stop, push
Shown w/ 3-3/4" pivot and finger guard

Head Frame	Minimum 36" (L) x 5-3/4" (H) x 4-1/2" (W) (914 mm x 146 mm x 114 mm)
Top Rail	Minimum 2" (51 mm)
Opening and Closing Time	<ul style="list-style-type: none"> Variable by adjustments to the electronic control box Maximum hold open time adjustable up to approximately 32 seconds
System Diagram	See "AUTOMATIC OPERATORS" section page 51 for typical system wiring and page 53 for electrical data
Maximum Opening	Template allows 90 degree power opening and 90 degree manual opening <ul style="list-style-type: none"> Minimum header length 33" with applied stop by others and 36" with LCN fixed or breakaway stop

Notes:

- Push N' Go permits non-switch activation
- Power boost provides additional latch forcing for electromechanical unit with microprocessor control
- Double door header available up to 98", specify length 49" to 98" maximum (Consult factory regarding this option)
- Fixed (positive) or breakaway stop available with center pivot arm
- Adjustable hold open time of 1-32 seconds



Offset pivot or butt hinge, slide arm, push
Shown w/ 3-3/4" pivot

Head Frame	Minimum 33" (L) x 5-3/4" (H) x 4-1/2" (W) (838 mm x 146 mm x 114 mm)
Top Rail	Minimum 2" (51 mm)
Opening and Closing Time	<ul style="list-style-type: none"> ■ Variable by adjustments to the electronic control box ■ Maximum hold open time adjustable up to approximately 32 seconds
System Diagram	See "AUTOMATIC OPERATORS" section page 51 for typical system wiring and page 53 for electrical data
Maximum Opening	Template allows 90 degree power opening and 90 degree manual opening
	<ul style="list-style-type: none"> ■ Minimum header length 33" ■ Installations require bottom pivot and two intermediate pivots

Notes:

- Push N' Go permits non-switch activation
- Power boost provides additional latch forcing for electromechanical unit with microprocessor control
- Double door header available up to 98", specify length 49" to 98" maximum (Consult factory regarding this option)
- Fixed (positive) or breakaway stop available with center pivot arm
- Adjustable hold open time of 1-32 seconds

Motor Gearbox



2810-3454
Motor Gearbox

- Senior swing
- Handed
- Driving mechanism for operator
- Provides maximum 15 lbs opening force

Mount Brackets



2810-375
Mounting Bracket

- Motor gearbox mounting bracket for 3-3/4" offset pivot, butt hinge or center pivot with finger guard installations
- Front bracket



2810-275
Mounting Bracket

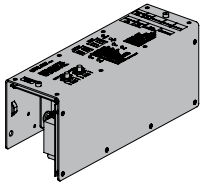
- Motor gearbox mounting bracket for 2-3/4" center pivot installations
- Front bracket



2810-3018
Rear Mounting Bracket

- Motor gearbox mounting bracket
- Rear bracket

Control Box



2810-3462
Control Box

- Senior swing
- Electronic controlling device for Senior Swing

Headers



2810-3572HL
Header

- Standard
- Single door, single operator
- Specify length 33" to 49" maximum



2810-3572DD
Header

- Standard
- Double door, single operator
- Specify length 49" to 98" maximum

End Cap



2810-334
Header End Caps

- With openings for wiring

Arms



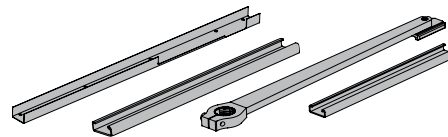
2810-3077CP
Center Pivot Arm

- Center pivot installations only
- Used with overhead concealed operators and center pivoted doors



2810-3077OP
Offset Pivot Arm

- Offset pivot or butt hung installations only
- Used with overhead concealed operators



2810-3077 OPCM
Offset Pivot Arm Assembly

- Offset arm with track and concealing channel (includes 3072 concealing channel, 168 slide channel and 3077OP offset pivot arm)

Channels



2810-3072
Concealing Channel

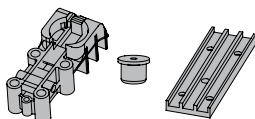
- Used to conceal arm in overhead concealed applications
- For offset pivot installations only
- If ordering separately specify length and hand



2810-168
Slide channel

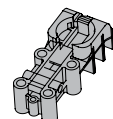
- Offset pivot or butt hinge installations only
- Mounts in top rail of door
- Allows arm to slide

Pivots



2810-3107
Bottom Pivot Assembly

- Includes pivot body, pivot post and bottom pivot plate
- For overhead concealed, center pivoted installations
- Includes: 2810-107, 2810-110 and 2810-117



2810-107
Bottom Pivot Body

- For center pivoted installations



2810-110
Pivot Post

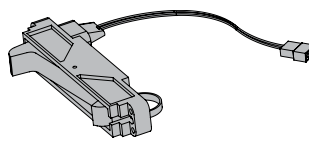
- Connects pivot body to bottom pivot plate for center pivoted installations



2810-117
Bottom Pivot Plate

- Applied to floor for center pivoted installations

Installation Accessories



2810-384B
Door Stop Breakaway

- Allows in-swinging door to swing out in case of emergency
- Disables operator in breakaway mode.
- For center pivoted installations only



2810-384F
Door Stop Fixed

- Prevents out-swinging door from swinging in
- For center pivoted installations only



2810-12
Filler Plate Blank

- Completes length of header box



2810-11A
Spindle Plate

- Hides bottom of motor gearbox
- Completes header box
- Cutout allows for motor gearbox shaft
- For 2-3/4" center pivot installations



2810-11B
Spindle Plate

- Hides bottom of motor gearbox
- Completes header box
- Cutout allows for motor gearbox shaft
- For 3-3/4" offset pivot, butt hinge or center pivot with finger guard installations

2810 Series Senior Swing

Ordering Information

How-to-order 2810 Series

Select installation type

- 2811

Specify arm

- 3-3/4" (Offset pivoted) Arm (3077OP)
- 2-3/4" (Center pivoted) Arm (3077CP)
- 3-3/4" (Center pivoted) Arm (3077CP)

Specify hand

- RH
- LH

Specify header/length

- HL_ (Specify length 33" to 49" offset pivot)
- HL_ (Specify length 36" to 49" center pivot)
- DD_ (Specify length 49" to 98")

Specify finish

- Standard Anodized Finish _____
Aluminum or Dark Bronze

Operator will be shipped with:

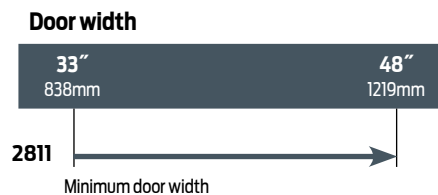
- Motor gearbox,
- Control box,
- Header (at specified length, 36" standard),
- Wood and machine screw pack
unless options listed below are selected.

Operator options

Stops

- Positive Mechanical Stop (POS)
- Panic Breakaway Stop (BKY)
**Available with Center Pivoted installations only*

Table of sizes



→ Indicates recommended range of door width for operator.

*NOTE: For all Senior Swing Series
Single Door - Width per leaf 33" minimum, 48" maximum*

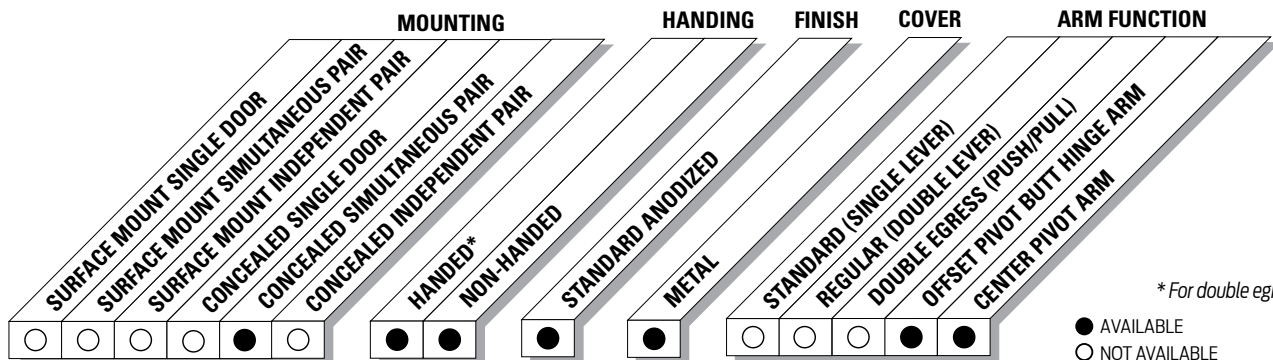


The 2850 SENIOR SWING by LCN is an ADA door operator that is a two-in-one swing door operator. SENIOR SWING operator when activated, opens doors automatically for wheelchair access, yet allows for manual operation for regular pedestrian traffic.

Certifications	Grade 1 - ANSI A156.19, UL325, UL1998, ADA, 100 Hour Salt Spray, Meets BAA - Buy American Act	Fasteners	Wood and machine screw pack
Fluid	All Weather Fluid	Mounting	Double door, overhead concealed, center pivot, offset pivot, butt hinge
Handing	Handed	Arms	Offset Pivot Arm or Center Pivot Arm
Door Width	<ul style="list-style-type: none"> ■ Combined width min 52" - 96" ■ Simultaneous pair - width per leaf 26" minimum to 48" maximum 	Finishes/Colors/ Powder Coat	<ul style="list-style-type: none"> ■ Anodized Aluminum ■ Anodized Dark Bronze
Warranty	2 years		

**Special
Templates**

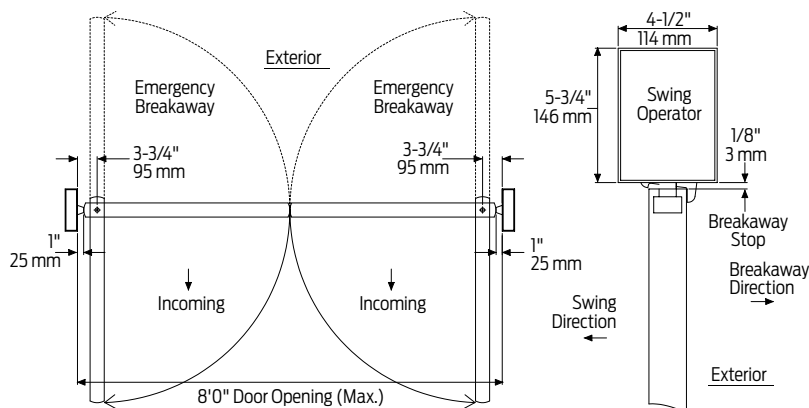
Customized installation templates or products may be available to solve unusual applications. Contact LCN Product Support for assistance.



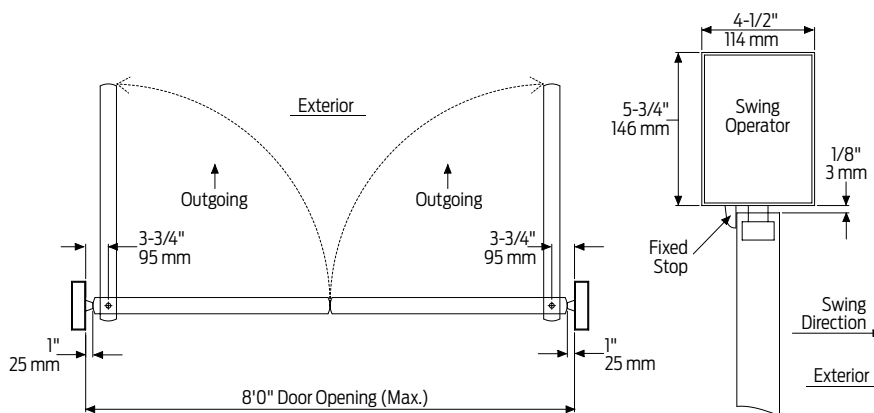
2850 Series Senior Swing

Mounting details

Concealed Simultaneous Pair



Center pivot, emergency breakaway, pull
Shown w/ 3-3/4" pivot

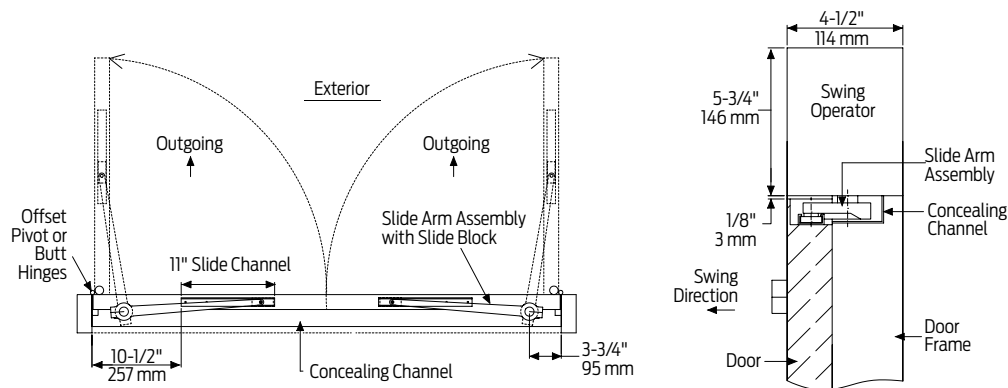


Center pivot, fixed stop, push
Shown w/ 3-3/4" pivot

Head Frame	Minimum 52" (L) x 5-3/4" (H) x 4-1/2" (W) (1524 mm x 146 mm x 114 mm)
Top Rail	Minimum 2" (51 mm)
Opening and Closing Time	<ul style="list-style-type: none"> Variable by adjustments to the electronic control box Maximum hold open time adjustable up to approximately 32 seconds.
System Diagram	See "AUTOMATIC OPERATORS" section page 51 for typical system wiring and page 53 for electrical data
Maximum Opening	Template allows 90 degree power opening and 90 degree manual opening

Notes:

- Push N' Go permits non-switch activation with power boost providing additional latching force
- Electromechanical unit with microprocessor control
- 36" header length is standard, specify length 33" - 49" max
- Double header available 98", specify length 49" - 98" max
- Fixed (positive) or breakaway stop available with center pivot arm
- Adjustable hold open time of 1-32 seconds
- Actuators available separately, see pages 115-131



Offset pivot or butt hinge, slide arm, push
Shown w/ 3-3/4" pivot

Head Frame	Minimum 52" (L) x 5-3/4" (H) x 4-1/2" (W) (1524 mm x 146 mm x 114 mm)
Top Rail	Minimum 2" (51 mm)
Opening and Closing Time	<ul style="list-style-type: none"> ■ Variable by adjustments to the electronic control box ■ Maximum hold open time adjustable up to approximately 32 seconds
System Diagram	See "AUTOMATIC OPERATORS" section page 51 for typical system wiring and page 53 for electrical data
Maximum Opening	Template allows 90 degree power opening and 90 degree manual opening

Notes:

- Push N' Go permits non-switch activation with power boost providing additional latching force
- Electromechanical unit with microprocessor control
- 36" header length is standard, specify length 33" - 49" max
- Double header available 98", specify length 49" - 98" max
- Fixed (positive) or breakaway stop available with center pivot arm
- Adjustable hold open time of 1-32 seconds
- Actuators available separately, see pages 115-131

2850 Series Senior Swing

Accessories

Motor Gearbox



2850-3454
Motor Gearbox

- Senior swing
- Driving mechanism for operator
- Provides maximum 15 lbs opening force
- Handed

Mount Brackets



2850-375
Mounting Bracket

- Motor gearbox mounting bracket for 3-3/4" offset pivot, butt hinge or center pivot with finger guard installations
- Front bracket



2850-275
Mounting Bracket

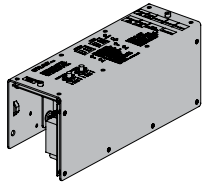
- Motor gearbox mounting bracket for 2-3/4" center pivot installations
- Front bracket



2850-3018
Rear Mounting Bracket

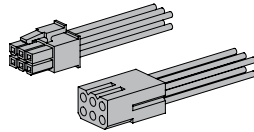
- Motor gearbox mounting bracket
- Rear bracket

Control Box



2850-3462
Control box

- Senior swing
- Electronic controlling device for Senior Swing



2850-982
Companion Cable

- Cable that allows one control box to run two motor gearboxes
- For use with Senior Swing

Header



2850-3572HL
Header

- Mounting header
- Pair door, two operators
- Specify length 52" to 98" maximum
- Standard

End Cap



2850-334
Header End Caps

- End cap with openings for wiring

Arms



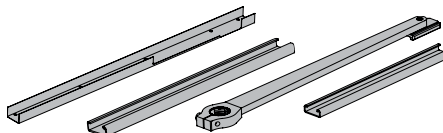
2850-3077CP
Center pivot arm

- Center pivot installations only
- Used with overhead concealed operators and center pivoted doors



2850-3077OP
Offset pivot arm

- Offset pivot or butt hung installations only
- Handed
- Used with overhead concealed operators



2850-3077OPCM
Offset Pivot Arm Assembly

- Offset arm with track and concealing channel
- Includes 3072 Concealing Channel, 168 Slide Channel and 3077OP offset pivot arm

Channels



2850-3072
Concealing Channel

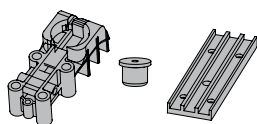
- Used to conceal arm in overhead concealed applications
- For offset pivot installations only
- If ordering separately specify length and hand



2850-168
Slide Channel

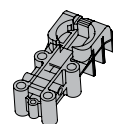
- Offset pivot or butt hinge installations only
- Mounts in top rail of door
- Allows arm to slide

Pivots



2850-3107
Bottom Pivot Assembly

- Includes pivot body, pivot post and bottom pivot plate
- For overhead concealed, center pivoted installations
- Includes: 2850-107, 2850-110 and 2850-117



2810-107
Bottom Pivot Body

- Pivot body for center pivoted installations



2850-110
Pivot Post

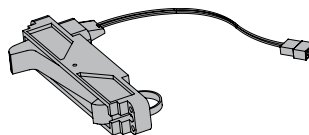
- Connects pivot body to bottom pivot plate for center pivoted installations



2850-117
Bottom Pivot Plate

- Applied to floor for center pivoted installations

Installation Accessories



2850-384B
Door Stop Breakaway

- Allows in-swinging door to swing out in case of emergency
- For center pivoted installations only



2850-384F
Door Stop Fixed

- Prevents out-swinging door from swinging in
- For center pivoted installations only



2850-12
Filler Plate Blank

- Completes length of header box



2850-11A
Spindle Plate

- Hides bottom of motor gearbox
- Completes header box
- Cutout allows for motor gearbox shaft
- For 2-3/4" center pivot installations



2850-11B
Spindle Plate

- Hides bottom of motor gearbox
- Completes header box
- Cutout allows for motor gearbox shaft
- For 3-3/4" offset pivot, butt hinge or center pivot with finger guard installations

2850 Series Senior Swing

Ordering Information

How-to-order 2850 Series

Select installation type

- 2853

Specify arm

- 3-3/4" (Offset pivoted) Arm (3077OP)
- 2-3/4" (Center pivoted) Arm (3077CP)
- 3-3/4" (Center pivoted) Arm (3077CP)

Specify hand

- RH
- LH

Specify header/length

- HL_ (Specify length 52" to 98")

Specify finish

- Standard Anodized Finish _____
Aluminum or Dark Bronze

Operator will be shipped with:

- Standard motor gearbox (1 LH & 1 RH)
- Standard control box
- Companion cable
- Header (at specified length - 72" standard)
- 2-3/4" pivot point
- Wood and machine screw pack
unless options listed below are selected.

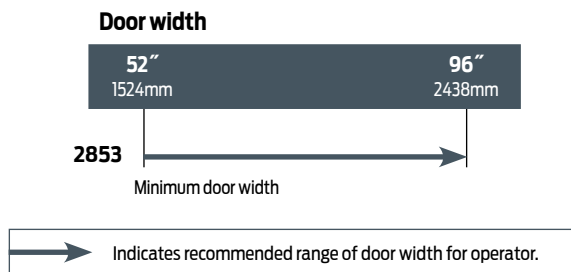
Operator options

Stops*

- Pair Positive Mechanical Stop (POS)
- Pair Panic Breakaway Stop (BKY)

*Available with Center Pivoted installations only

Table of sizes



NOTE: For all Senior Swing Series
Simultaneous Pair – Width per leaf 26" minimum to 48" maximum.

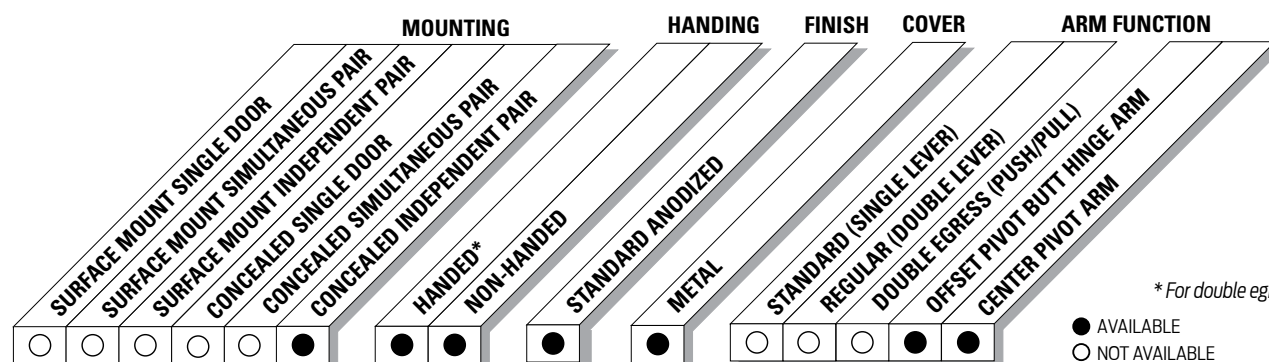


The 2860 SENIOR SWING by LCN is an ADA door operator that is a two-in-one swing door operator. SENIOR SWING operator when activated, opens doors automatically for wheelchair access, yet allows for manual operation for regular pedestrian traffic.

Certifications	Grade 1 - ANSI A156.19, UL325/228, UL1998, ADA, 100 Hour Salt Spray, Meets BAA - Buy American Act	Fasteners	Wood and machine screw packs
Handing	Handed	Mounting	Independent pair, overhead concealed, center pivot, offset pivot, butt hinge
Door Width	<ul style="list-style-type: none"> Minimum combined door with 52" - 96" Simultaneous pair - width per leaf 26" minimum to 48" maximum 	Arms	Offset Pivot Arm or Center Pivot Arm
Warranty	2 years	Finishes/Colors/ Powder Coat	<ul style="list-style-type: none"> Anodized Aluminum Anodized Dark Bronze

**Special
Templates**

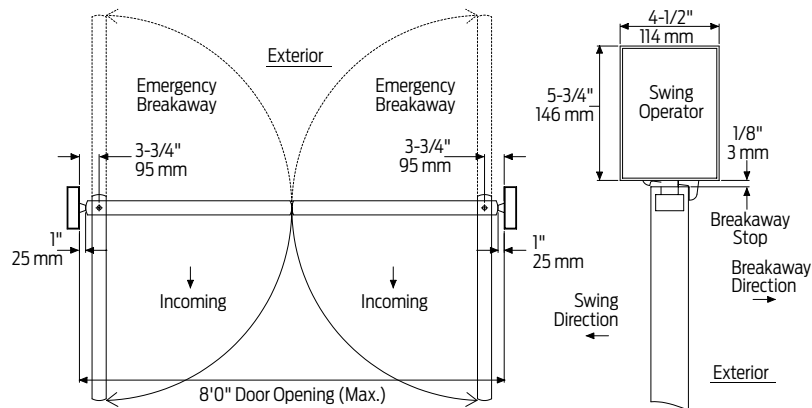
Customized installation templates or products may be available to solve unusual applications. Contact LCN Product Support for assistance.



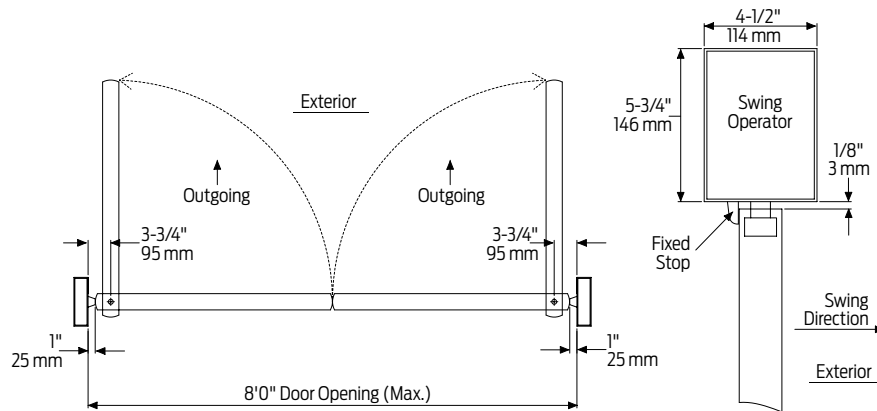
2860 Series Senior Swing

Mounting details

Concealed Independent Pair



Center pivot, emergency breakaway, pull
Shown w/ 3-3/4" pivot

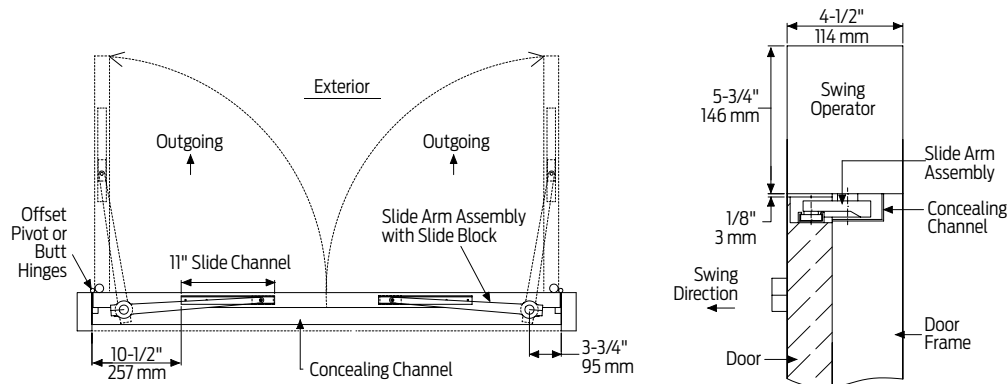


Center pivot, fixed stop, push
Shown w/ 3-3/4" pivot

Head Frame	Minimum 65" (L) x 5 3/4" (H) x 4 1/2" (W) (1651 mm x 146 mm x 114 mm)
Top Rail	Minimum 2" (51 mm)
Opening and Closing Time	<ul style="list-style-type: none"> ■ Variable by adjustments to the electronic control box ■ Maximum hold open time adjustable up to approximately 32 seconds.
System Diagram	See "AUTOMATIC OPERATORS" section page 51 for typical system wiring and page 53 for electrical data
Maximum Opening	Template allows 90 degree power opening and 90 degree manual opening

Note:

- Push N' Go permits non-switch activation with power boosts providing additional latching force
- Electromechanical unit with microprocessor control
- Digital keypad for easy setup
- 72" header length is standard. Specify other length 65" - 98" max. Consult factory with this option
- Adjustable hold time of 1-32 seconds
- Actuators available separately, see pages 115-131



Offset pivot/butt hinge, push

Head Frame	Minimum 65" (L) x 5-3/4" (H) x 4-1/2" (W) (1651 mm x 146 mm x 114 mm)
Top Rail	Minimum 2" (51 mm)
Opening and Closing Time	<ul style="list-style-type: none"> ■ Variable by adjustments to the electronic control box ■ Maximum hold open time adjustable up to approximately 32 seconds
System Diagram	See "AUTOMATIC OPERATORS" section page 51 for typical system wiring and page 53 for electrical data
Maximum Opening	Template allows 90 degree power opening and 90 degree manual opening

Notes:

- Offset pivot installations require a bottom pivot and two intermediate pivots
- Push N' Go permits non-switch activation with power boosts providing additional latching force
- Electromechanical unit with microprocessor control
- Digital keypad for easy setup
- 72" header length is standard. Specify other length 65" - 98" max. Consult factory with this option
- Optional fixed (POS) or breakaway stop (BKY) available (center pivot arm)
- Header lengths 70" - 98" max with either POS or BKY
- Adjustable hold time of 1-32 seconds
- Actuators available separately, see pages 115-131

2860 Series Senior Swing

Accessories

Motor Gearbox



2860-3454
Motor gearbox

- Senior swing
- Handed
- Driving mechanism for operator
- Provides maximum 15 lbs opening force

Mount Brackets



2860-375
Mounting Bracket

- Motor gearbox mounting bracket for 3-3/4" offset pivot, butt hinge or center pivot with finger guard installations
- Front bracket



2860-275
Mounting Bracket

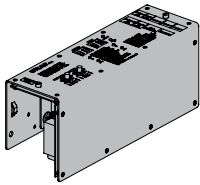
- Motor gearbox mounting bracket for 2-3/4" center pivot installations
- Front bracket



2860-3018
Rear Mounting Bracket

- Motor gearbox mounting bracket
- Rear bracket

Control Box



2860-3462
Control box

- Electronic controlling device for Senior Swing

Header



2860-3572HL
Mounting Header

- Pair door, two operators
- Specify length 65" to 98" maximum
- Standard

End Cap



2860-334
Header End Caps

- With openings for wiring

Arms



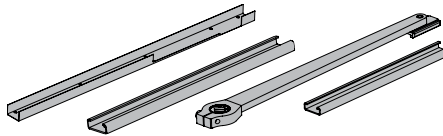
2860-3077CP
Center Pivot Arm

- Center pivot installations only
- Used with overhead concealed operators and center pivoted doors



2860-3077OP
Offset Pivot Arm

- Offset pivot or butt hung installations only
- Used with overhead concealed operators



2860-3077OPCM
Offset Pivot Arm Assembly

- Offset arm with track and concealing channel
- Includes 3072 Concealing Channel, 168 Slide Channel and 3077OP offset pivot arm

Channels



2860-3072
Concealing Channel

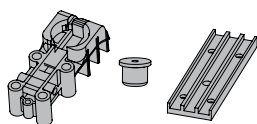
- Used to conceal arm in overhead concealed applications
- For offset pivot installations only
- If ordering separately specify length and hand



2860-168
Slide Channel

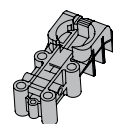
- Offset pivot or butt hinge installations only
- Mounts in top rail of door
- Allows arm to slide

Pivots



2860-3107
Bottom Pivot Assembly

- Includes pivot body, pivot post and bottom pivot plate
- For overhead concealed, center pivoted installations
- Includes: 2860-107, 2860-110 and 2860-117



2860-107
Bottom Pivot Body

- Pivot body for center pivoted installations



2860-110
Pivot Post

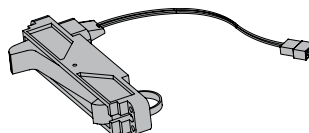
- Connects pivot body to bottom pivot plate for center pivoted installations



2860-117
Bottom Pivot Plate

- Applied to floor for center pivoted installations

Installation Accessories



2860-384B
Door Stop Breakaway

- Allows in-swinging door to swing out in case of emergency
- For center pivoted installations only



2860-384F
Door Stop Fixed

- Prevents out-swinging door from swinging in
- For center pivoted installations only



2860-12
Filler Plate Blank

- Completes length of header box



2860-11A
Spindle Plate

- Hides bottom of motor gearbox
- Completes header box
- Cutout allows for motor gearbox shaft
- For 2-3/4" center pivot installations



2860-11B
Spindle Plate

- Hides bottom of motor gearbox
- Completes header box
- Cutout allows for motor gearbox shaft
- For 3-3/4" offset pivot, butt hinge or center pivot with finger guard installations

2860 Series Senior Swing

Ordering Information

How-to-order 2860 Series

Select installation type

- 2863

Specify arm

- 3-3/4" (Offset pivoted) Arm (3077OP)
- 2-3/4" (Center pivoted) Arm (3077CP)
- 3-3/4" (Center pivoted) Arm (3077CP)

Specify hand

- RH
- LH

Specify header/length

- HL_ (Specify length 65" to 98")

Specify finish

- Standard Anodized Finish _____
Aluminum or Dark Bronze

Operator will be shipped with:

- Standard motor gearbox (1 LH & 1 RH)
- Standard control box (2 ea)
- Header (at specified length - 72" standard)
- 2-3/4" pivot point
- Wood and machine screw pack
unless options listed below are selected.

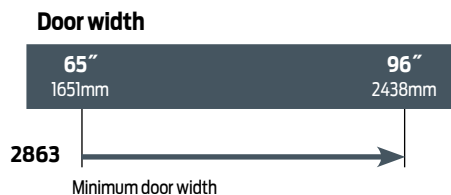
Operator options


Stops*

- Pair Positive Mechanical Stop (POS)
- Pair Panic Breakaway Stop (BKY)

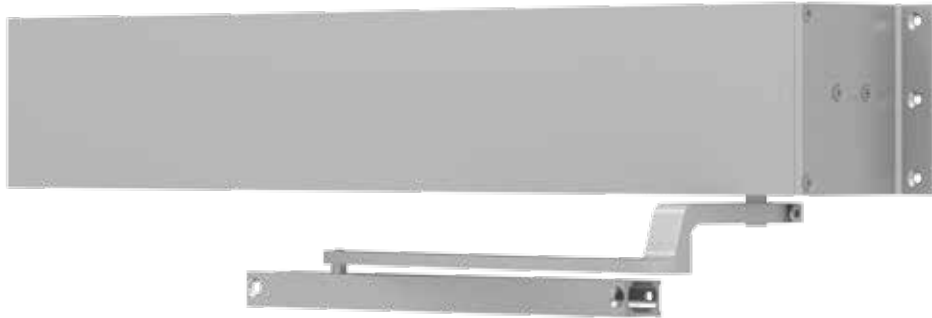
*Available with Center Pivoted installations only

Table of sizes



 Indicates recommended range of door width for operator.

NOTE: For all Senior Swing Series
Independent Pair – Width per leaf 32-1/2" minimum to 48" maximum

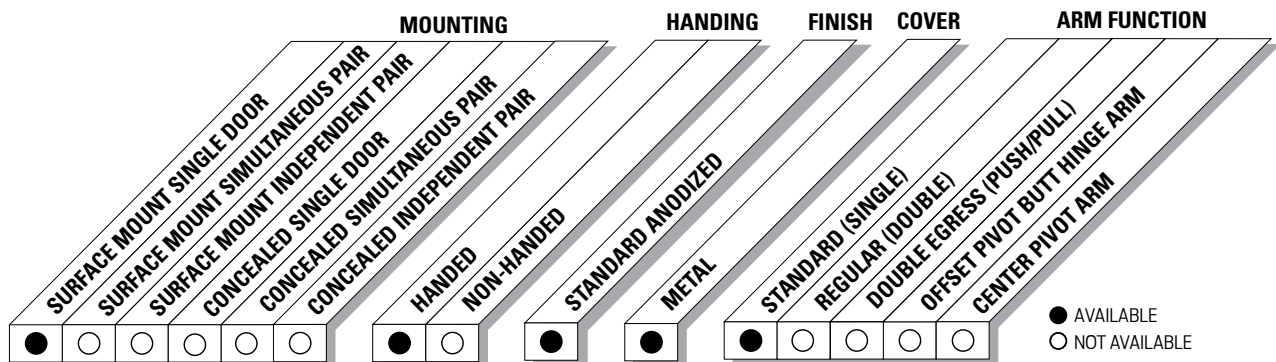


The 9530 SENIOR SWING by LCN is an ADA door operator that is a two-in-one swing door operator. SENIOR SWING operators when activated, opens doors automatically for wheelchair access, yet allows for manual operation for regular pedestrian traffic.

Certifications	Grade 1 - ANSI A156.19, UL325/228, UL1998, ADA, 100 Hour Salt Spray, Meets BAA - Buy American Act	Fasteners	Machine screw pack
Fluid	All Weather Fluid	Mounting	Single door, surface mount, offset pivot. butt hinge, pull side
Handing	Handed	Arms	Standard arm (3077T)
Door Width	<ul style="list-style-type: none"> ■ Minimum 33" - 48" ■ Single door - width per leaf 33" minimum, 48" maximum 	Finishes/Colors/ Powder Coat	<ul style="list-style-type: none"> ■ Anodized Aluminum ■ Anodized Dark Bronze
Warranty	2 years		

**Special
Templates**

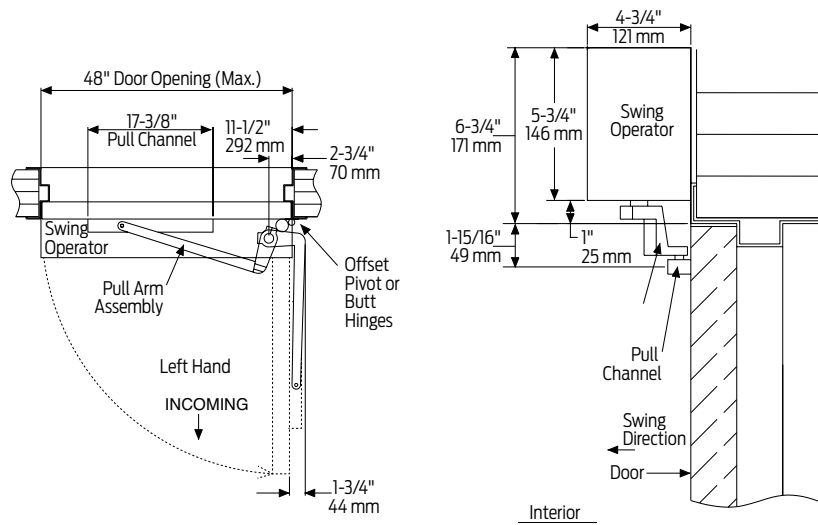
Customized installation templates or products may be available to solve unusual applications. Contact LCN Product Support for assistance.



9530 Series Senior Swing

Mounting details

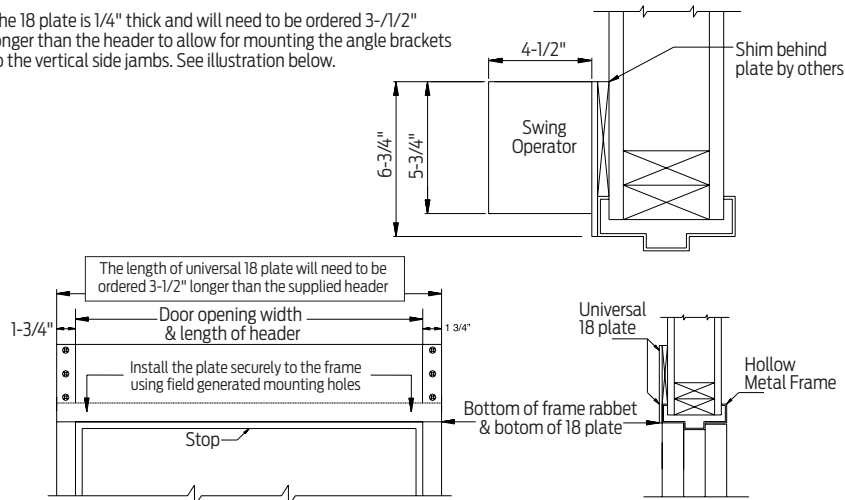
Top Jamb Single Door Mounting



Offset pivot/butt hinge, center pivot, pull

NOTE: Cannot be used with swing clear hinges, pocket pivots or balanced doors.

The 18 plate is 1/4" thick and will need to be ordered 3-1/2" longer than the header to allow for mounting the angle brackets to the vertical side jambs. See illustration below.



Hollow metal frame Suggested Installation.

Butt Hinges	Should not exceed 5" (127 mm) in width
Reveal	Should not exceed 4" (102 mm)
Head Frame	Minimum 1-3/4" (44 mm). Face frame 6-3/4" (171 mm) total operator clearance
Top Rail	Minimum 2-3/4" (70 mm)
Opening and Closing Time	<ul style="list-style-type: none"> Variable by adjustments to the electronic control box Maximum hold open time adjustable up to approximately 32 seconds
System Diagram	See "AUTOMATIC OPERATORS" section page 51 for typical system wiring and page 53 for electrical data
Maximum Opening	Template allows 90 degree power opening and 90 degree manual opening

Notes:

- Push N' Go permits non-switch activation with a power boost providing additional latching force
- Electromechanical unit with microprocessor control
- Digital keypad for easy setup
- 36" header length is standard. Specify 33" - 48" max
- Double door header available up to 98", specify other length 49" - 98" max
- Consult factory regarding this option
- Adjustable hold open period of 2 - 32 seconds in automatic or manual mode
- Actuators available separately, see pages 115-131

Motor Gearbox



**9530-3454
Motor Gearbox**

- Senior swing
- Handed
- Driving mechanism for operator
- Provides maximum 15 lbs opening force

Mount Brackets



**9530-275
Mounting Bracket**

- Motor gearbox mounting bracket for 2-3/4" offset pivot or butt hinge installations
- Front bracket



**9530-3018
Rear Mounting Bracket**

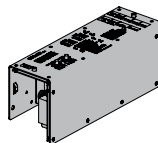
- Motor gearbox mounting bracket
- Rear bracket



**9530-334-1
Angled Bracket**

- Mounting bracket for surface applications (includes 2 mounting brackets)

Control Box



**9530-3462
Control Box**

- Electronic controlling device for Senior Swing

Headers



**9530-3572HL
Header**

- Standard
- Single door, single operator
- Specify length 33" to 48" maximum



**9530-3572DD
Header**

- Standard
- Double door, single operator
- Specify length 49" to 98" maximum

End Caps



**9530-334
Header End Caps**

- With openings for wiring



**9530-334-2
End Dress Plate**

- Metal finish end cap

9530 Series Senior Swing

Accessories

Arms



9530-3077PLCM
Standard Arm Assembly

- Handed
- Track roller included (includes 3038, 3077T, 3034 & 73)



9530-3077T
Standard Arm

- Handed
- Track roller not included

Tracks



9530-3038
Track

- Non-handed
- Includes 3034 & 73



9530-73
Track End Cap

- Black plastic end caps



9530-3034
Roller

- Quiet low friction roller assembly

Installation Assembly



9530-11A
Spindle Plate

- Hides bottom of motor gearbox
- Completes header box
- Cutout allows for motor gearbox shaft
- For 2-3/4" offset pivot or butt hinge installations



9530-12
Filler

- Plate blank
- Completes length of header box (specify Length)



9530-18
Mounting Plate

- Optional mounting plate for standard hollow metal door frames
- Specify length 36-1/2" to 101-1/2" maximum, when angle brackets
- Specify length 33" to 98" maximum when using end dress plates

NOTE: The length of a universal 18 plate will need to be ordered 3-1/2" longer than the supplied header when using angle brackets

How-to-order 9530 Series closers

Specify hand

- RH
- LH

Specify header/length

- HL__ (Specify length 33" to 48")
- DD__ (Specify length 49" to 98")

Specify finish

- Standard Anodized Finish _____
Aluminum or Dark Bronze

Operator will be shipped with:

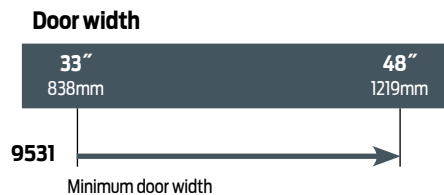
- Standard motor gearbox
 - Standard control box
 - Header (at specified length, 36" standard)
 - Standard arm (3077T)
 - 2-3/4" pivot point
 - Standard track w/track roller
 - Machine screw pack
- unless options listed below are selected

Operator options

Mounting plate

- Plate, ___ (Specify Length 33" to 101-1/2")

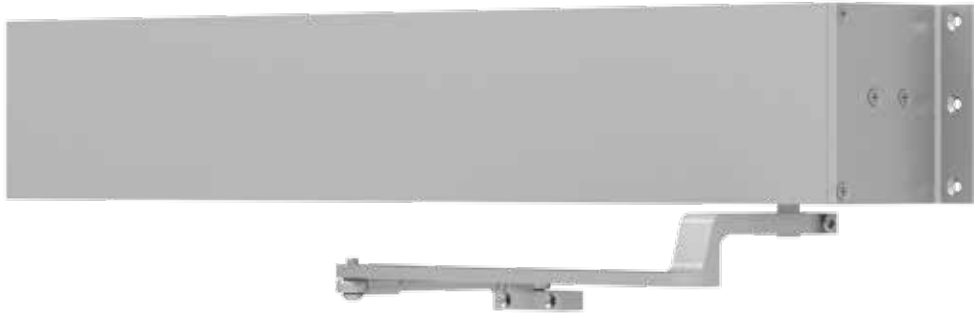
Table of sizes



→ Indicates recommended range of door width for operator.

NOTE: For all Senior Swing Series.

Single Door - Width per leaf 33" minimum, 48" maximum.

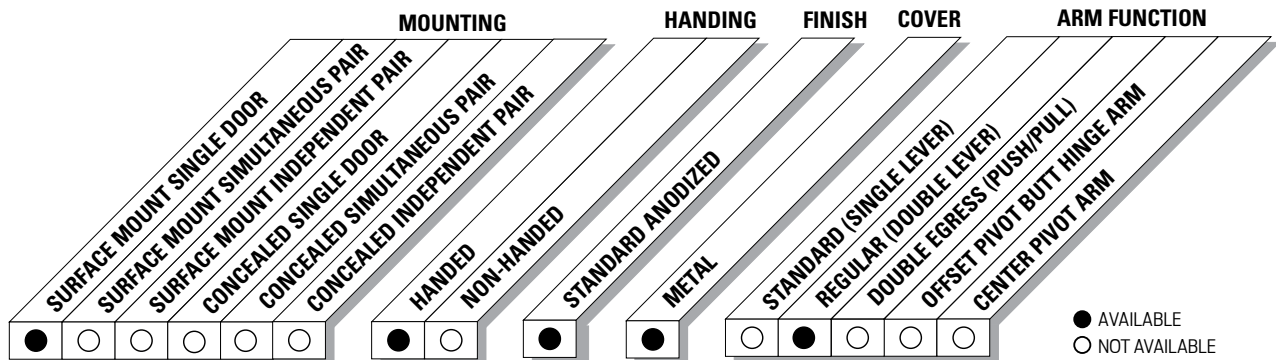


The 9540 SENIOR SWING by LCN is an ADA door operator that is a two-in-one swing door operator. SENIOR SWING operators when activated, opens doors automatically for wheelchair access, yet allows for manual operation for regular pedestrian traffic.

Certifications	Grade 1 - ANSI A156.19, UL325/228, UL1998, ADA, 100 Hour Salt Spray, Meets BAA - Buy American Act	Fasteners	Machine screw pack
Fluid	All Weather Fluid	Mounting	Single door, surface mount, offset pivot, butt hinge (Push Side)
Handing	Handed	Arms	Regular Arm (3077)
Door Width	<ul style="list-style-type: none"> ■ Minimum door width 33" - 48" ■ Single door - width per leaf 33" minimum, 48" maximum 	Finishes/Colors/ Powder Coat	<ul style="list-style-type: none"> ■ Anodized Aluminum ■ Anodized Dark Bronze
Warranty	2 years		

**Special
Templates**

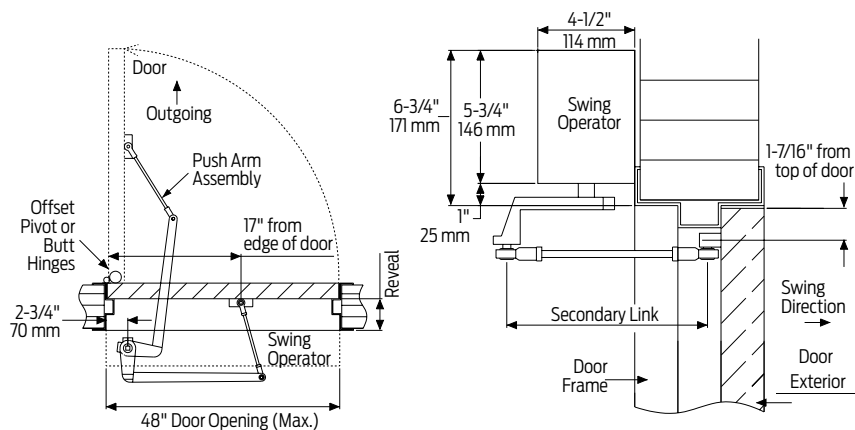
Customized installation templates or products may be available to solve unusual applications. Contact LCN Product Support for assistance.



9540 Series Senior Swing

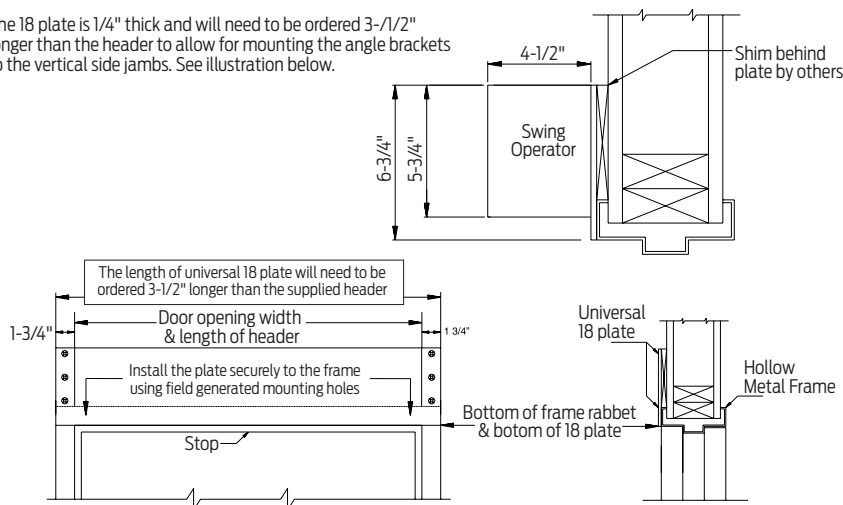
Mounting details

Top Jamb Single Door Mounting



Offset pivot/butt hinge, center pivot, push
Consult factory for all balance door installations.

The 18 plate is 1/4" thick and will need to be ordered 3-1/2" longer than the header to allow for mounting the angle brackets to the vertical side jambs. See illustration below.



Hollow metal frame
Suggested Installation.

Butt Hinges	Should not exceed 5" (127 mm) in width
Reveal	push installations should not exceed 10" (254 mm) for REGULAR ARM and 20" (508 mm) for LONG ARM
Head Frame	Minimum 1-3/4" (44 mm). Face frame 6-3/4" (171 mm) total operator clearance
Top Rail	Minimum 2-3/4" (70 mm)
Opening and Closing Time	<ul style="list-style-type: none"> Variable by adjustments to the electronic control box Maximum hold open time adjustable up to approximately 32 seconds
System Diagram	See "AUTOMATIC OPERATORS" section page 51 for typical system wiring and page 53 for electrical data
Maximum Opening	Template allows 90 degree power opening and 90 degree manual opening

Notes:

- Push N' Go permits non-switch activation with a power boost providing additional latching force
- Electromechanical unit with microprocessor control
- Digital keypad for easy setup
- 36" header length is standard. Specify 33" - 48" max
- Double door header available up to 98", specify other length 49" - 98" max
- Adjustable hold open period of 2 - 32 seconds in automatic or manual mode
- Actuators available separately, see pages 115-131

Motor Gearbox



**9540-3454
Motor Gearbox**

- Senior swing
- Handed
- Driving mechanism for operator
- Provides maximum 15 lbs opening force

Mount Brackets



**9540-275
Mounting Bracket**

- Motor gearbox mounting bracket for 2-3/4" offset pivot or butt hinge installations
- Front bracket



**9540-3018
Rear Mounting Bracket**

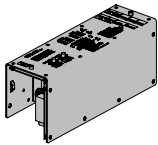
- Motor gearbox mounting bracket
- Rear bracket



**9540-334-1
Angled Bracket**

- Mounting bracket for surface applications (includes 2 mounting brackets)

Control Box



**9540-3462
Control Box**

- Electronic controlling device for Senior Swing

Headers



**9540-3572HL
Header**

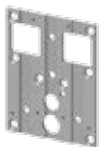
- Single door, single operator
- Specify length 33" to 48" maximum
- Standard



**9540-3572DD
Header**

- Double door, single operator
- Specify length 49" to 98" maximum
- Standard

End Caps



**9540-334
Header End Caps**

- With openings for wiring



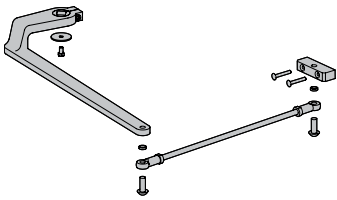
**9540-334-2
End Dress Plate**

- Metal finish end cap

9540 Series Senior Swing

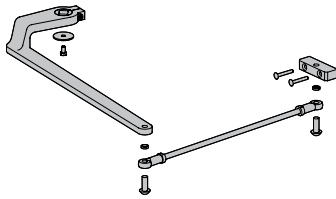
Accessories

Arms



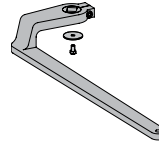
9540-3077 Regular Arm Assembly

- Handed
- Includes 77 main arm assembly and 79 linkage assembly



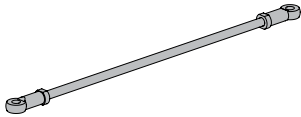
9540-3077L Regular Long Arm Assembly

- Handed
- Includes 77 main arm assembly and 79LR linkage assembly



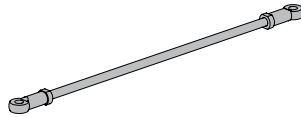
9540-77 Main Arm

- Handed
- Attaches to motor gearbox



9540-79 Linkage Assembly - 15"

- Threaded rod attaches to door
- Extends from main arm



9540-79LR Linkage Assembly - 32"

- Threaded long rod attaches to door
- Extends from main arm.
- Used for reveal 10" to 20"

Installation Accessories



9540-11A Spindle Plate

- Hides bottom of motor gearbox
- Completes header box
- Cutout allows for motor gearbox shaft
- For 2-3/4" offset pivot or butt hinge installations



9540-12 Filler Plate Blank

- Completes length of header box (specify length)



9540-18 Mounting Plate

- For standard hollow metal door frames
- Specify length 55-1/2" to 101-1/2" maximum when using angle brackets
- Specify length 52" to 98" maximum when using dress plates
- Optional

NOTE: The length of a universal 18 plate will need to be ordered 3-1/2" longer than the supplied header when using angle brackets.

How-to-order 9540 Series closers

Specify hand

- RH
- LH

Specify header/length

- HL__ (Specify length 33" to 48")
- DD__ (Specify length 49" to 98")

Specify finish

- Standard Anodized Finish _____
Aluminum or Dark Bronze

Operator will be shipped with:

- Standard motor gearbox
- Standard control box
- Header (at specified length, 36" standard)
- Regular arm (3077)
- 2-3/4" pivot point
- Machine screw pack
unless options listed below are selected.

Operator options

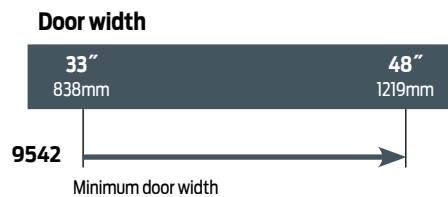
Mounting plate

- Plate, __ (Specify Length 33" to 101-1/2")

Arm

- Long Arm (3077L)

Table of sizes



→ Indicates recommended range of door width for operator.

*NOTE: For all Senior Swing Series.
Single Door - Width per leaf 33" minimum, 48" maximum.*

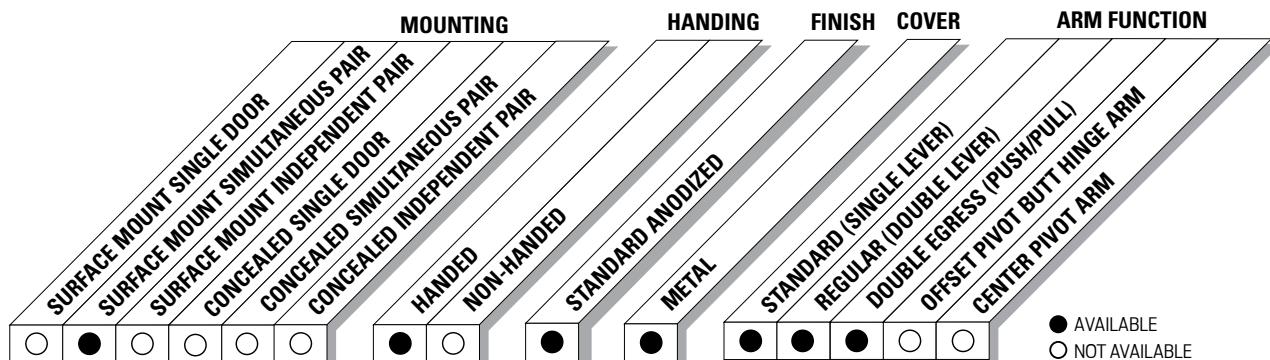


The 9550 SENIOR SWING by LCN is an ADA door operator that is a two-in-one swing door operator. SENIOR SWING operators when activated, opens doors automatically for wheelchair access, yet allows for manual operation for regular pedestrian traffic.

Certifications	Grade 1 - ANSI A156.19, UL325/228, UL1998, ADA, 100 Hour Salt Spray, Meets BAA - Buy American Act	Fasteners	Machine screw pack
Handing	Handed	Mounting	Simultaneous pair, surface mount, pull side, push side, double egress
Door Width	<ul style="list-style-type: none"> ■ Minimum combined door width 52" - 98" (push) ■ Minimum combined door width 60" - 98" (pull; double egress) ■ Simultaneous pair - width per leaf 30" minimum - 48" maximum 	Arms	<ul style="list-style-type: none"> ■ 2 Regular Arms (push) ■ 2 Standard Arms (pull) ■ 1 Regular and 1 Standard (double egress)
Warranty	2 years	Finishes/Colors/ Powder Coat	<ul style="list-style-type: none"> ■ Anodized Aluminum ■ Anodized Dark Bronze

**Special
Templates**

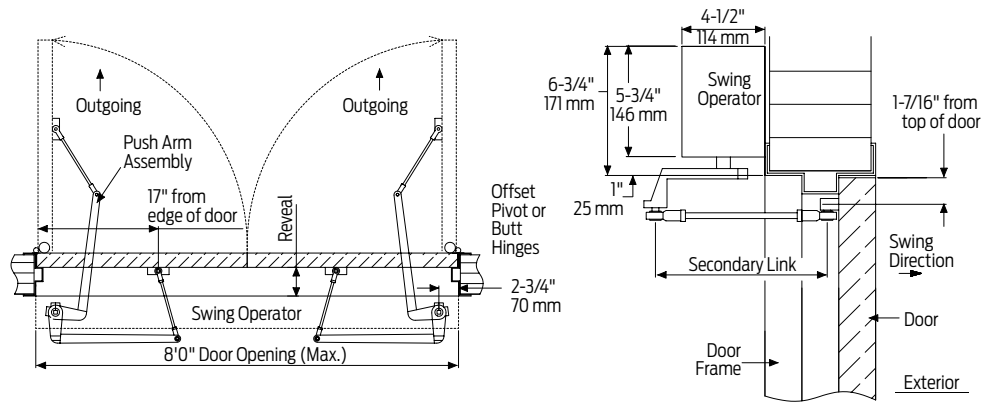
Customized installation templates or products may be available to solve unusual applications. Contact LCN Product Support for assistance.



9550 Series Senior Swing

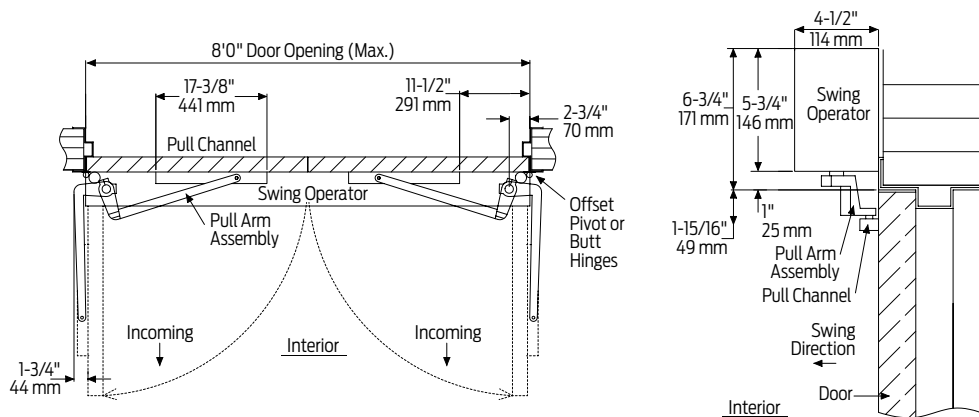
Mounting details

Top Jamb Simultaneous Pair Mounting



Offset pivot/butt hinge, center pivot, push

Consult factory for all balanced door installations.



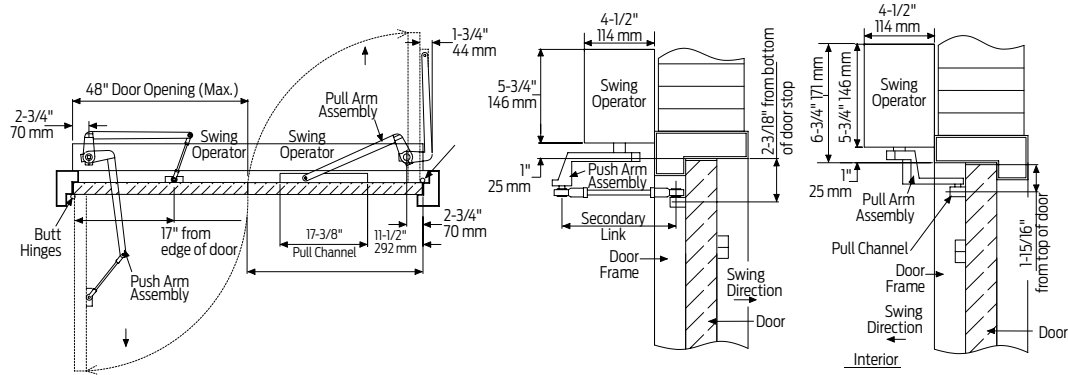
Offset pivot/ butt hinge, center pivot, pull

NOTE: Cannot be used with swing clear hinges, pocket pivots or balanced doors.

Butt Hinges	Should not exceed 5" (127 mm) in width
Reveal for push	Should not exceed 10" (254 mm) for REGULAR ARM and 20" (508 mm) for LONG ARM
Reveal for pull	Should not exceed 4" (102 mm)
Reveal	Double egress installations should not exceed 4" (102 mm)
Head Frame	<ul style="list-style-type: none"> Minimum 1-3/4" (44 mm) Face frame 6-3/4" (171 mm) total operator clearance
Top Rail	Minimum 2-3/4" (70 mm)
Opening and Closing Time	<ul style="list-style-type: none"> Variable by adjustments to the electronic control box Maximum hold open time adjustable up to approximately 32 seconds.
System Diagram	See "AUTOMATIC OPERATORS" section page 51 for typical system wiring and page 53 for electrical data
Maximum Opening	Template allows 90 degree power opening and 90 degree manual opening

Notes:

- Push N' Go permits non-switch activation with a power boost providing additional latching force
- Electromechanical unit with microprocessor control
- Digital keypad for easy setup
- 72" header length is standard. Specify other length 52" - 98" (push), specify other length 60" - 98" (pull; double egress). Consult factory regarding this option
- Adjustable hold open period of 2 - 32 seconds in automatic or manual mode
- Actuators available separately, see pages 115-131

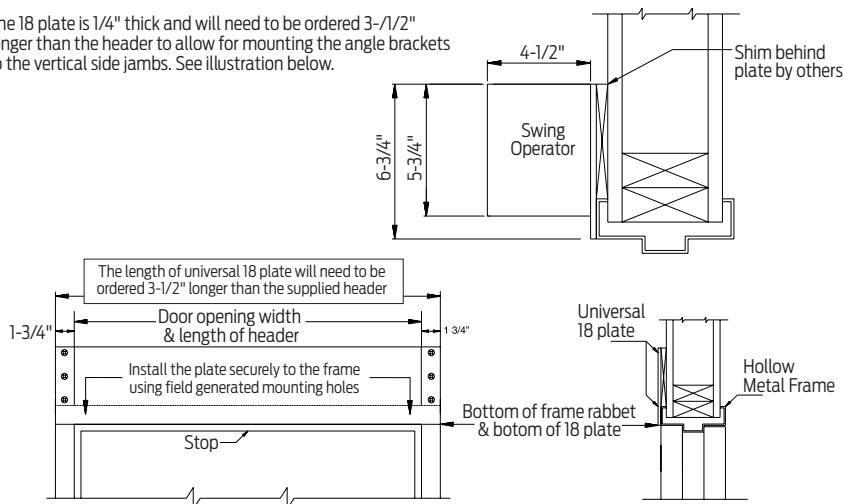


RH double egress

Double egress applications with safety sensors require LCN 9560 series.

NOTE: Cannot be used with swing clear hinges, pocket pivots or balanced door.

The 18 plate is 1/4" thick and will need to be ordered 3-1/2" longer than the header to allow for mounting the angle brackets to the vertical side jambs. See illustration below.



Hollow metal frame
Suggested Installation.

Butt Hinges	Should not exceed 5" (127 mm) in width
Reveal for push	Should not exceed 10" (254 mm) for REGULAR ARM and 20" (508 mm) for LONG ARM
Reveal for pull	Should not exceed 4" (102 mm)
Reveal	Double egress installations should not exceed 4" (102 mm)
Head Frame	<ul style="list-style-type: none"> Minimum 1-3/4" (44 mm) Face frame 6-3/4" (171 mm) total operator clearance
Top Rail	Minimum 2-3/4" (70 mm)
Opening and Closing Time	<ul style="list-style-type: none"> Variable by adjustments to the electronic control box Maximum hold open time adjustable up to approximately 32 seconds.
System Diagram	See "AUTOMATIC OPERATORS" section page 51 for typical system wiring and page 53 for electrical data
Maximum Opening	Template allows 90 degree power opening and 90 degree manual opening

Notes:

- Push N' Go permits non-switch activation with a power boost providing additional latching force
- Electromechanical unit with microprocessor control
- Digital keypad for easy setup
- 72" header length is standard. Specify other length 52" - 98" (push), specify other length 60" - 98" (pull; double egress). Consult factory regarding this option
- Adjustable hold open period of 2 - 32 seconds in automatic or manual mode
- Actuators available separately, see pages 115-131

9550 Series Senior Swing

Accessories

Motor Gearbox



9550-3454
Motor Gearbox

- Senior swing
- Handed
- Driving mechanism for operator
- Provides maximum 15 lbs opening force

Mount Brackets



9550-275
Mounting Bracket

- Motor gearbox mounting bracket for 2-3/4" offset pivot or butt hinge installations
- Front bracket



9550-3018
Rear Mounting Bracket

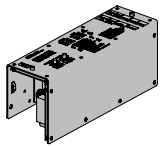
- Motor gearbox mounting bracket



9550-334-1
Angled Bracket

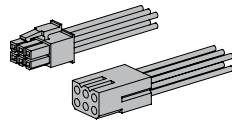
- Mounting bracket for surface applications (includes 2 mounting brackets)

Control Box



9550-3462
Control Box

- Electronic controlling device for Senior Swing



9550-982
Companion Cable

- Cable that allows one control box to run two motor gear boxes
- For use with Senior Swing

Header



9550-3572HL
Header

- Pair door, two operators
- Specify other length 52" to 98" (Push)
- Specify other length 60" to 98" (Pull; Double Egress)
- Standard

End Caps



9550-334
Header End Caps

- With openings for wiring



9550-334-2
End Dress Plate

- Metal finish end cap

Tracks



9550-3038
Track

- Non-handed
- Standard



9550-73
Track End Cap

- Black plastic end caps



9550-3034
Roller

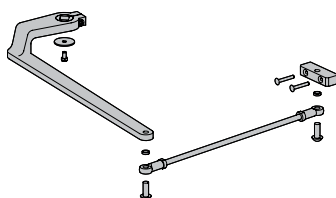
- Quiet low friction roller assembly

Arms



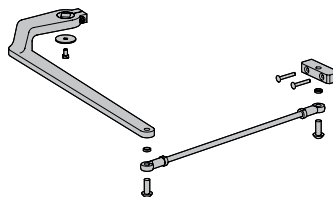
9550-3077Plcm
Standard Arm Assembly

- Handed
- Includes 3077 regular arm assembly, 3038 track, and 3034 track roller



9550-3077
Regular Arm Assembly

- Handed
- Includes 77 main arm assembly and 79 linkage assembly



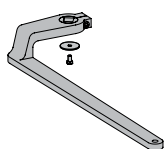
9550-3077L
Regular Long Arm Assembly

- Handed
- Includes 77 main arm assembly and 79LR linkage assembly



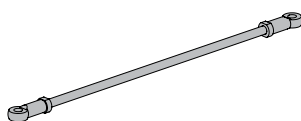
9550-3077T
Standard Arm

- Handed
- Track roller not included



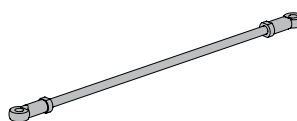
9550-77
Main Arm

- Handed
- Attaches to motor gearbox



9550-79
Linkage Assembly

- 15"
- Threaded rod attaches to door
- Extends from main arm



9550-79LR
Linkage Assembly

- 32"
- Threaded long rod attaches to door
- Extends from main arm
- Used for reveal 10" to 20"

Installation Assembly



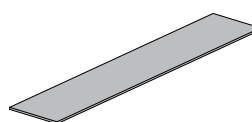
9550-11A
Spindle Plate

- Hides bottom of motor gearbox
- Completes header box
- Cutout allows for motor gearbox shaft
- For 2-3/4" offset pivot or butt hinge installations



9550-12
Filler Plate

- Blank
- Completes length of header box
- Specify length



9550-18
Mounting Plate

- Optional mounting plate for standard hollow metal door frames
- Specify length 68-1/2" to 101-1/2" maximum when using angle brackets
- Specify length 65" to 98" maximum when using dress plates.

NOTE: The length of a universal 18 plate will need to be ordered 3-1/2" longer than the supplied header when using angle brackets.

9550 Series Senior Swing

Ordering Information

How-to-order 9550 Series closers

Specify hand

- RH
- LH

Specify header/length

- HL_ (Specify length 52" to 98") regular or long arm
- HL_ (Specify length 60" to 98") for standard or DE arm

Specify finish

- Standard Anodized Finish _____
Aluminum or Dark Bronze

Operator will be shipped with:

- Standard motor gearbox (SF) (2 ea)
 - Standard control box (SC)
 - Metal cover (at specified length 72" standard)
 - Regular arm (2 ea)
 - 2-3/4" pivot point
 - Machine screw pack
- unless options listed below are selected

Operator options

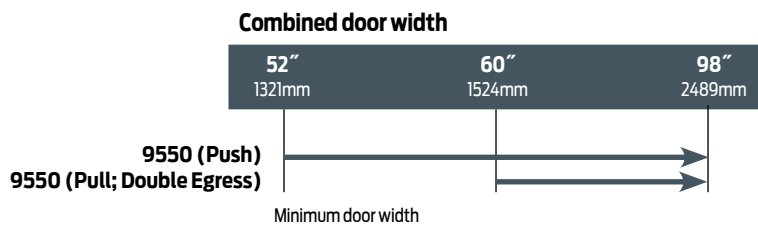
Mounting plate

- Plate, ___ (Specify Length 52" to 101-1/2")

Arm

- Standard Arm (2 ea) w/Standard Track (2 ea)
- Double Egress includes Standard Arm w/Track (1 ea) & Regular Arm (1 ea)
- Long Arm (3077L)

Table of sizes



Indicates recommended range of door width for operator.

NOTE: For all Senior Swing Series.

Simultaneous Pair – Width per leaf 26" minimum (push) 30" minimum (pull) to 48" maximum.

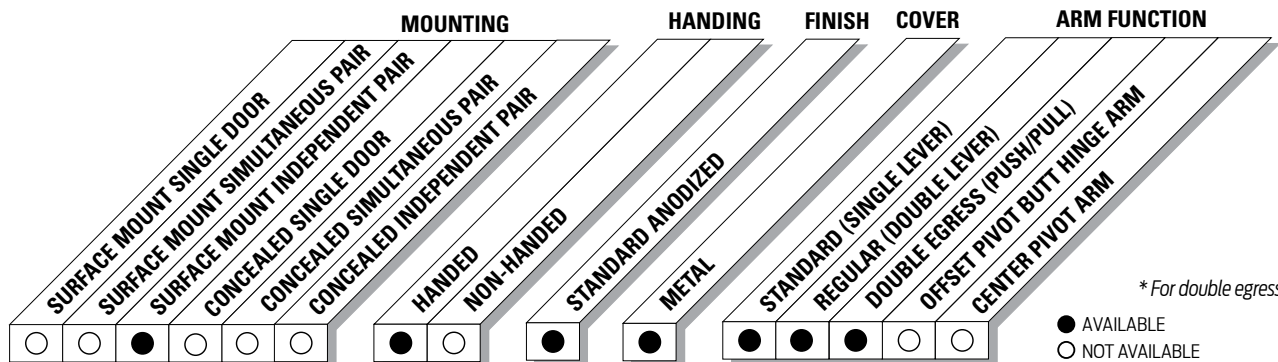


The 9560 SENIOR SWING by LCN is an ADA door operator that is a two-in-one swing door operator. SENIOR SWING operators when activated, opens doors automatically for wheelchair access, yet allows for manual operation for regular pedestrian traffic.

Certifications	Grade 1 - ANSI A156.19, UL325/228, UL1998, ADA, 100 Hour Salt Spray, Meets BAA - Buy American Act	Cover	Metal, Standard
Handing	Handed	Fasteners	Machine screw pack
Warranty	2 years	Mounting	Independent pair, surface, pull, push, double egress
		Arms	Single lever (push side), Double lever (Pull Side), Double egress (Push/Pull)
		Finishes/Colors/ Powder Coat	<ul style="list-style-type: none"> ■ Anodized Aluminum ■ Anodized Dark Bronze

**Special
Templates**

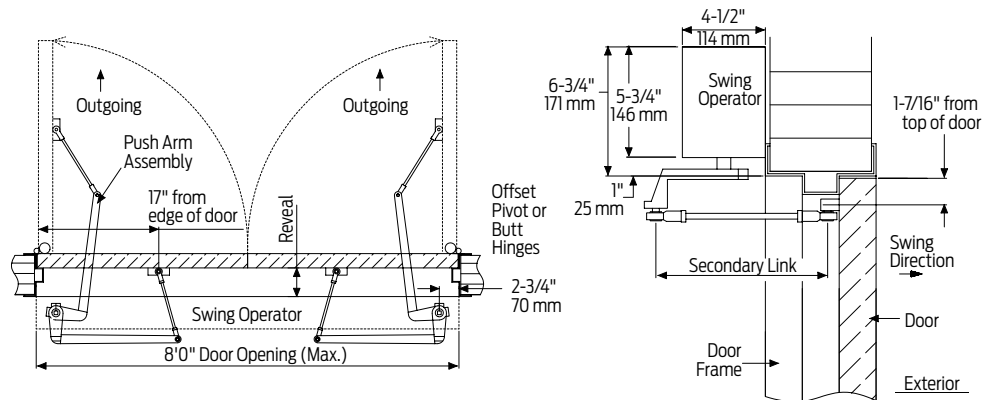
Customized installation templates or products may be available to solve unusual applications. Contact LCN Product Support for assistance.



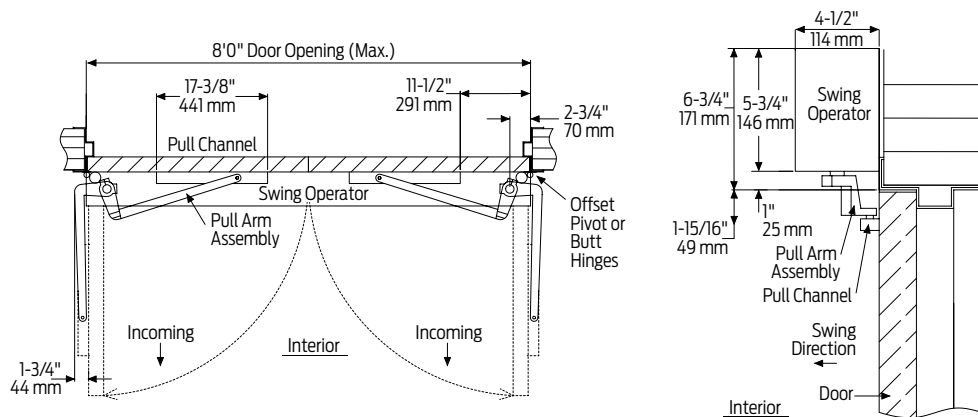
9560 Series Senior Swing

Mounting details

Top Jamb Independent Pair Mounting



Offset pivot/butt hinge, center pivot, push
Consult factory for all balanced door installations.



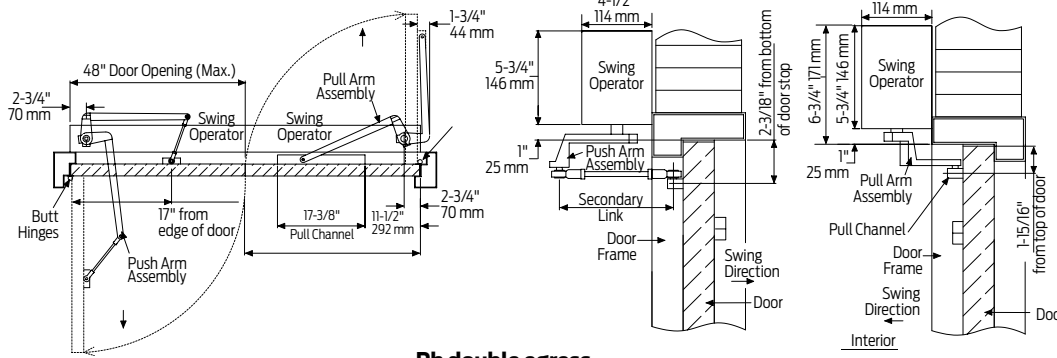
Offset pivot/butt hinge, center pivot, pull

NOTE: Cannot be used with swing clear hinges, pocket pivots or balanced doors.

Butt Hinges	Should not exceed 5" (127 mm) in width
Reveal for push	Should not exceed 10" (254 mm) for REGULAR ARM and 20" (508 mm) for LONG ARM
Reveal for pull	Should not exceed 4" (102 mm)
Reveal	Double egress installations should not exceed 4" (102 mm)
Head Frame	<ul style="list-style-type: none"> Minimum 1-3/4" (44 mm) Face frame 6-3/4" (171 mm) total operator clearance
Top Rail	Minimum 2-3/4" (70 mm)
Opening and Closing Time	<ul style="list-style-type: none"> Variable by adjustments to the electronic control box Maximum hold open time adjustable up to approximately 32 seconds.
System Diagram	See "AUTOMATIC OPERATORS" section page 51 for typical system wiring and page 53 for electrical data
Maximum Opening	Template allows 90 degree power opening and 90 degree manual opening

Notes:

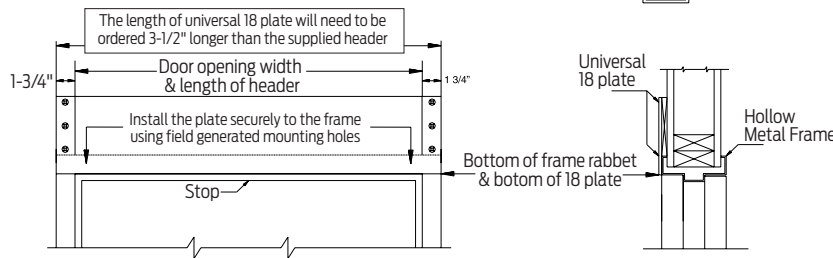
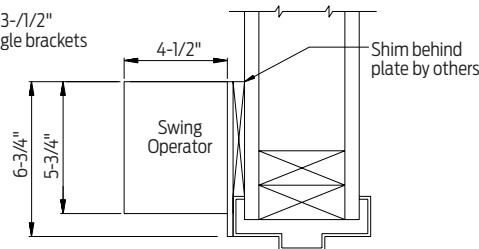
- Push N' Go permits non-switch activation with a power boost providing additional latching force
- Electromechanical unit with microprocessor control
- Digital keypad for easy setup
- 72" header length is standard. Specify 65" - 98" max
- Pull, push, or double egress applications available
- Adjustable hold open period of 2 - 32 seconds in automatic or manual mode
- Actuators available separately, see pages 115-131



Rh double egress

NOTE: Cannot be used with swing clear hinges, pocket pivots or balanced doors.

The 18 plate is 1/4" thick and will need to be ordered 3-1/2" longer than the header to allow for mounting the angle brackets to the vertical side jambs. See illustration below.



Hollow metal frame
Suggested Installation.

Butt Hinges	Should not exceed 5" (127 mm) in width
Reveal for push	Should not exceed 10" (254 mm) for REGULAR ARM and 20" (508 mm) for LONG ARM
Reveal for pull	Should not exceed 4" (102 mm)
Reveal	Double egress installations should not exceed 4" (102 mm)
Head Frame	<ul style="list-style-type: none"> Minimum 1-3/4" (44 mm) Face frame 6-3/4" (171 mm) total operator clearance
Top Rail	Minimum 2-3/4" (70 mm)
Opening and Closing Time	<ul style="list-style-type: none"> Variable by adjustments to the electronic control box Maximum hold open time adjustable up to approximately 32 seconds.
System Diagram	See "AUTOMATIC OPERATORS" section page 51 for typical system wiring and page 53 for electrical data
Maximum Opening	Template allows 90 degree power opening and 90 degree manual opening

Notes:

- Push N' Go permits non-switch activation with a power boost providing additional latching force
- Electromechanical unit with microprocessor control
- Digital keypad for easy setup
- 72" header length is standard. Specify 65" - 98" max
- Pull, push, or double egress applications available
- Adjustable hold open period of 2 - 32 seconds in automatic or manual mode
- Actuators available separately, see pages 115-131

9560 Series Senior Swing

Accessories

Motor Gearbox



9560-3454
Motor Gearbox

- Senior swing
- Handed
- Driving mechanism for operator
- Provides maximum 15 lbs opening force

Mounting Brackets



9560-275
Mounting Bracket

- Motor gearbox mounting bracket for 2-3/4" center pivot installations
- Front bracket



9560-3018
Rear Mounting Bracket

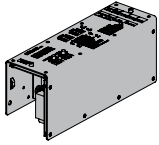
- Motor gearbox mounting bracket



9560-334-1
Angled Bracket

- Mounting bracket for surface applications
- Includes 2 mounting brackets

Control Box



9560-3462
Control Box

- Electronic controlling device for Senior Swing

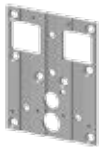
Header



9560-3572HL
Header

- Pair door, two operators
- Specify length 65" to 98" maximum
- Standard

End Caps



9560-334
Header End Caps

- With openings for wiring



9560-334-2
End Dress Plate

- Metal finish end cap

Tracks



**9560-3038
Track**

- Non-handed
- Standard



**9560-73
Track End Cap**

- Black plastic end caps



**9560-3034
Roller**

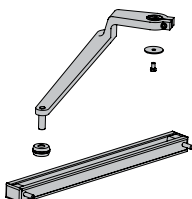
- Quiet low friction roller assembly

Arms



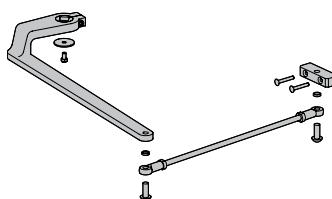
**9560-3077T
Standard Arm**

- Handed
- Track roller not included



**9560-3077
Regular Arm Assembly**

- Handed
- Includes 77 main arm assembly and 79 linkage assembly



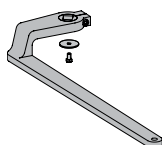
**9560-3077L
Regular Long Arm Assembly**

- Handed
- Includes 77 main arm assembly and 79LR linkage assembly



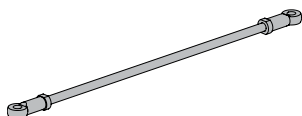
**9560-3077PLCM
Standard Arm Assembly**

- Handed
- Includes 3077 regular arm assembly, 3038 track, and 3034 track roller



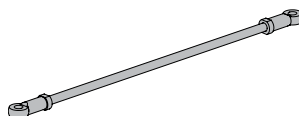
**9560-77
Main Arm**

- Handed
- Attaches to motor gearbox



**9560-79
Linkage Assembly**

- 15"
- Threaded rod attaches to door
- Extends from main arm
- Used for reveal 1" to 10"



**9560-79LR
Linkage Assembly**

- 32"
- Threaded long rod attaches to door
- Extends from main arm.
- Used for reveal 10" to 20"

Installation Accessories



**9560-11A
Spindle Plate**

- Hides bottom of motor gearbox
- Completes header box
- Cutout allows for motor gearbox shaft
- For 2-3/4" offset pivot or butt hinge installations



**9560-12
Filler Plate**

- Blank
- Completes length of header box
- Specify length



**9560-18
Mounting Plate**

- Optional mounting plate for standard hollow metal door frames
- Specify length 68-1/2" to 101-1/2" maximum when using angle brackets
- Specify length 65" to 98" maximum when using dress plates.

NOTE: The length of a universal 18 plate will need to be ordered 3-1/2" longer than the supplied header when using angle brackets.

9560 Series Senior Swing

Ordering Information

How-to-order 9560 Series

Specify hand

- RH
- LH

Specify header/length

- HL__ (Specify length 65" to 98") regular or long arm

Specify finish

- Standard Anodized Finish _____
Aluminum or Dark Bronze

Operator will be shipped with:

- Standard motor gearbox (SF) (2 ea)
 - Standard control box (SC)
 - Metal cover (at specified length 72" standard)
 - Regular arm (2 ea)
 - 2-3/4" pivot point
 - Machine screw pack
- unless options listed below are selected.

Operator options

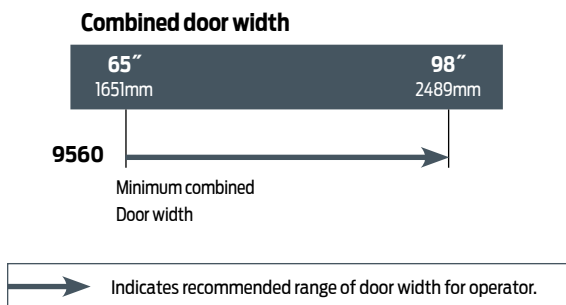
Mounting plate

- Plate, __ (Specify Length 65" to 101-1/2")

Arm

- Standard Arm (2 ea) w/Standard Track (2 ea)
- Double Egress - Includes Standard Arm w/Track (1 ea) & Regular Arm (1 ea)
- Long Arm (3077L)

Table of sizes



NOTE: For all Senior Swing Series
Independent Pair – Width per leaf 30" minimum to 48" maximum.