

ENFORCER®

1- and 2-Channel RF Receivers

Installation Manual



SK-910RD2 / SK-910RD2-4 shown



Model	Channels	Frequency	Certifications
SK-910RD1	1	315MHz*	FCC, IC
SK-910RD2	2	315MHz*	FCC, IC
SK-910RD1-4†	1	433.92MHz‡	CE
SK-910RD2-4†	2	433.92MHz‡	CE

*Can simultaneously receive 433.92MHz with optional SK-93ERSD Extended Range Antenna

†Special order

‡Can simultaneously receive 315MHz with optional SK-91ERSD Extended Range Antenna

The ENFORCER 1- and 2-Channel RF receivers meet the growing demand for multi-channel receivers with multiple independently controlled output modes and can be used to remotely control a variety of devices including garage doors, lights, motorized gates, lifts, or others. Now also dual frequency, they are even more flexible and compatible with all ENFORCER transmitters of the same frequencies, including both fixed and code-hopping CODEBUMP™ variants.

- Flexible 10~24 VAC/VDC operating voltage
- Simultaneously receive 315 and 433.92MHz signals with optional Extended Range Antenna
- Range up to 500ft (150m) or up to 1,000ft (300m) with optional Extended Range Antenna[§]
- Independently programmable channels and up to 15 transmitter button codes per channel
- Pushbutton programming, no jumpers to cut or switches to set
- 5 Output modes per channel—timed pulse (0.5~99 sec), timed pulse (1~99 min), toggle, latch, and follow (validity)
- Compatible with all SECO-LARM transmitters of the same frequency

[§]Operating range varies greatly depending on the installation and operating environment

SECO-LARM®

Specifications

Model	SK-910RD1	SK-910RD2	SK-910RD1-4	SK-910RD2-4
Operating frequency	315MHz*		433.92MHz†	
Memory capacity	15 per channel			
Operating voltage	10-24 VAC/VDC			
Operating current	Standby	16mA@12 VDC, 12mA@24 VDC		
	Active	60mA@12 VDC, 50mA@24 VDC (both per channel)		
Relay output modes	0.5-99 sec momentary (default, 1s), 1-99 min momentary, toggle, latch, follow (validity)			
Relay contacts	Number	1	2	1
	Rating	Form C 10A@14VDC		
Connectors	Screw terminals, +, -, with NO/NC/COM per relay			
Digital display	2-Digit, 7-segment LED			
Operating humidity	5-95%, non-condensing			
Operating temperature	32°-167° F (0°-75° C)			
Dimensions	4 ³ / ₁₆ "x7 ¹ / ₈ "x2 ³ / ₈ " (107x23x60 mm)			

*Can simultaneously receive 433.92MHz signals with optional SK-93ERSD Extended Range Antenna

†Can simultaneously receive 315MHz signals with optional SK-91ERSD Extended Range Antenna

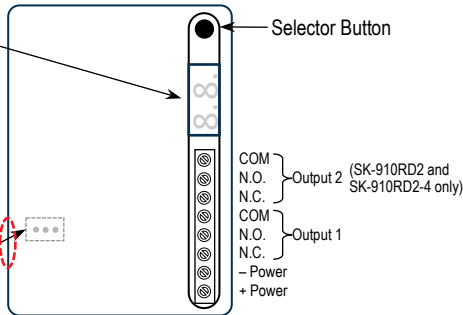
Overview

LED Display

Shows (see LED Display below for details):

- General status –left dot flashes every 3-5s when operating.
- RF signal received –right dot lights when an RF signal is being received.
- Programming and code learning/deleting messages
- Number of codes programmed

Plug for optional Extended Range Antenna (on PCB inside case) and antenna cable knockout location



Parts List

- 1x Receiver
- 1x Manual

LED Display

	Flashing every 3-5 seconds – indicates the receiver is powered on and in operation.
	Shows the currently activated output channel when the transmitter button is pressed.
	Flashing – number shows the current channel to be programmed.
	Flash twice – indicates a new code has been learned or that all codes for the channel have been deleted.
	Slow flashing – in programming mode, shows that the attempted code has previously been learned. Flash twice – indicates exiting programming mode.
	Flashing – in programming mode, shows the number of codes (0-60) already learned for the selected channel.

0. 0.	The number shows all the channels being output.
P.1.	In output programming mode, indicates the current mode.
0.1.	In output programming mode when either P1 or P5 is selected, number indicates the output time in seconds or minutes, respectively.

Selector Button Operation

Enter programming mode	Press and hold for three seconds or more to enter programming mode.
Select channel for programming	Programming mode defaults to channel 1 on entering. Press again to switch through channels in sequence.
Memory display	After entering programming mode and the desired channel, within 2 seconds the LED will flash x number of times (where "x" is the number of codes learned for that channel).
Delete all codes from a channel	After entering programming mode and the desired channel, when the LED stops flashing, press and hold the selector button at least 3 seconds or until the LED flashes three times.
Program the output mode	In programming mode select the desired channel. Press the button again to display the current mode (P1~P5). To change, press to cycle through the modes in sequence.
Program the timed pulse duration	After programming the output mode and in P1 or P5 mode, press and hold the selector button to change the number of seconds or minutes, respectively.

Installation Notes

- Mount the receiver out of sight in a location not exposed to weather or moisture and not surrounded by metal. Metal will block the signal resulting in reduced range.
- An optional Extended Range Antenna can be used to extend the range or activate dual frequency. To install, open the case, plug the antenna cable into the antenna plug (see *Overview*, pg. 2), remove the knockout on the back of the case cover and reinstall the cover.

Receiver	Extended Range Antenna	Result
SK-910RD1 or SK-910RD2 (315MHz)	SK-93ERSD (433.92MHz)	Receiver can also receive 433.92MHz transmitter signals
	SK-91ERSD (315MHz)	Extends the range to up to 1,000ft (300m)*
SK-910RD1-4 or SK-910RD2-4 (433.92MHz)	SK-91ERSD (315MHz)	Receiver can also receive 315MHz transmitter signals
	SK-93ERSD (433.92MHz)	Extends the range to up to 1,000ft (300m)*

Programming

Entering Programming Mode

1. Press and hold the selector button for at least 3 seconds. The LED display will flash L1, indicating channel 1. Press the selector to switch to another channel, in sequence, if desired.
2. After 2 seconds, the display slowly flashes the number of codes stored and enters programming mode.

NOTE: If the selector button or no transmitter button is pressed within 15 seconds, the receiver exits programming mode.

Learning a New Transmitter Button Code

In programming mode with the desired channel selected and the LED indicator still flashing, press the desired transmitter button once. The 3 horizontal bars on the display will flash twice and the receiver will exit programming mode. Repeat the entire process to learn other codes.

NOTES

- After entering programming mode, do not press the selector button again as it will then go to output mode programming.
- The indicator LED will flash a maximum of 15 seconds. If no transmitter button is pressed during this time, the receiver will exit code programming mode, and the LED will turn off.
- If a code has already been learned, the indicator LED slowly flashes two dashes. The code will not be learned twice.

- One channel can learn the codes of up to 60 transmitter buttons. If you try to learn an additional transmitter code, the earliest code learned will be deleted and the new code will be learned.

Clearing a Channel's Memory

In programming mode, select the desired channel. While the display is flashing the correct channel, press and hold the selector button 3 seconds or until the LED flashes twice. All codes for the channel will be cleared.

*Operating range may vary greatly depending on the installation and operating environment.

Programming (Continued)

Displaying a Channel's Number of Codes Learned

In programming mode, select the channel. The LED will flash the channel's number of codes stored (15sec).

Programming a Channel's Relay Output Mode

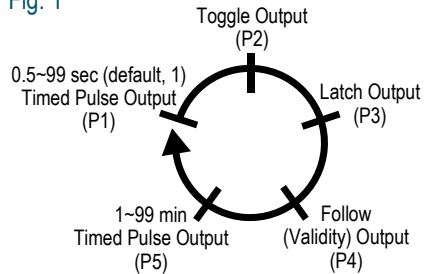
Each channel relay can be independently programmed to one of five output modes for any transmitter button.

- **P1 – 0.5~99 Second Timed Pulse** (default, 1 second) – The transmitter button turns the relay ON for the programmed number of seconds.
- **P2 – Toggle**– Works like a toggle to alternately turn a device ON & OFF. Press the transmitter button once, and the relay turns ON. Press the transmitter button again, and the relay turns OFF.
- **P3 – Latch**– The transmitter button turns the relay ON. It stays ON even if a compatible transmitter button is pressed again. To turn OFF, press the selector switch on the receiver once to reset.
- **P4 – Follow (Validity)**– The relay status follows the transmitter button status and will remain active for as long as the transmitter button is pressed.
- **P5 – 1~99 Minute Timed Pulse**– The transmitter button turns the relay ON for the preset number of minutes.

In programming mode, and with the desired channel selected, follow the steps below to set the output mode:

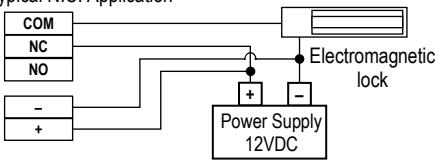
1. While the LED is flashing, press the selector button. The LED displays the current output mode (default P1).
2. To change, press the selector button to scroll sequentially through the 5 output modes as shown in Fig. 1 until the desired mode appears.
3. In mode P1 or P5, press and hold the selector button to change the seconds or minutes, respectively.
4. When complete, wait 15 seconds for the receiver to automatically exit programming mode.

Fig. 1

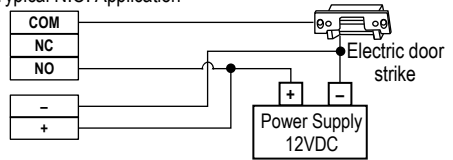


Sample Applications

Typical N.C. Application



Typical N.O. Application



FCC COMPLIANCE STATEMENT

FCC ID: K4E919T4-1

THIS DEVICE COMPLIES WITH PART 15 OF THE FCC RULES. OPERATION IS SUBJECT TO THE FOLLOWING TWO CONDITIONS: (1) THIS DEVICE MAY NOT CAUSE HARMFUL INTERFERENCE AND (2) THIS DEVICE MUST ACCEPT ANY INTERFERENCE RECEIVED, INCLUDING INTERFERENCE THAT MAY CAUSE UNDESIRABLE OPERATION. Notice: The changes or modifications not expressly approved by the party responsible for compliance could void the user's authority to operate the equipment.

IMPORTANT NOTE: To comply with the FCC RF exposure compliance requirements, no change to the antenna or the device is permitted. Any change to the antenna or the device could result in the device exceeding the RF exposure requirements and void user's authority to operate the device.

IMPORTANT: Users and installers of this product are responsible for ensuring that the installation and configuration of this product complies with all national, state, and local laws and codes. SECO-LARM will not be held responsible for the use of this product in violation of any current laws or codes.

California Proposition 65 Warning: These products may contain chemicals which are known to the State of California to cause cancer and birth defects or other reproductive harm. For more information, go to www.P65Warnings.ca.gov.

WARRANTY: This SECO-LARM product is warranted against defects in material and workmanship while used in normal service for one (1) year from the date of sale to the original customer. SECO-LARM's obligation is limited to the repair or replacement of any defective part if the unit is returned, transportation prepaid, to SECO-LARM. This Warranty is void if damage is caused by or attributed to acts of God, physical or electrical misuse or abuse, neglect, repair or alteration, improper or abnormal usage, or faulty installation, or if for any other reason SECO-LARM determines that such equipment is not operating properly as a result of causes other than defects in material and workmanship. The sole obligation of SECO-LARM and the purchaser's exclusive remedy, shall be limited to the replacement or repair only, at SECO-LARM's option. In no event shall SECO-LARM be liable for any special, collateral, incidental, or consequential personal or property damage of any kind to the purchaser or anyone else.

NOTICE: The SECO-LARM policy is one of continual development and improvement. For that reason, SECO-LARM reserves the right to change specifications without notice. SECO-LARM is also not responsible for misprints. All trademarks are the property of SECO-LARM U.S.A., Inc. or their respective owners. Copyright © 2023 SECO-LARM U.S.A., Inc. All rights reserved.

SECO-LARM® U.S.A., Inc.

16842 Millikan Avenue, Irvine, CA 92606

Website: www.seco-larm.com

Phone: (949) 261-2999 | (800) 662-0800

Email: sales@seco-larm.com

PITSW1

Order Part# 762.130%

ML_SK-910RD12_231025.docx