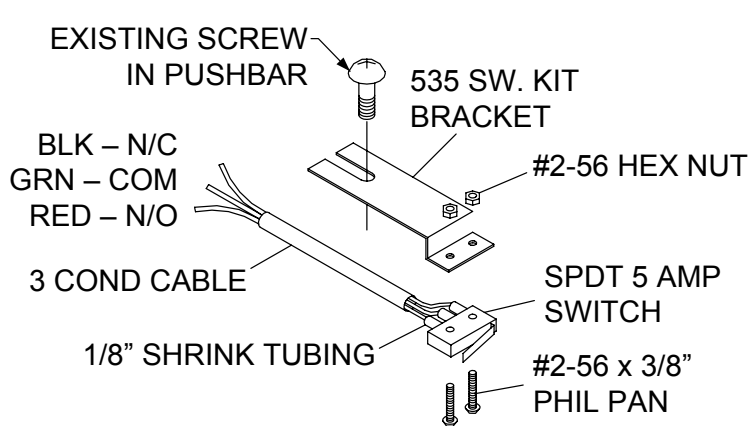


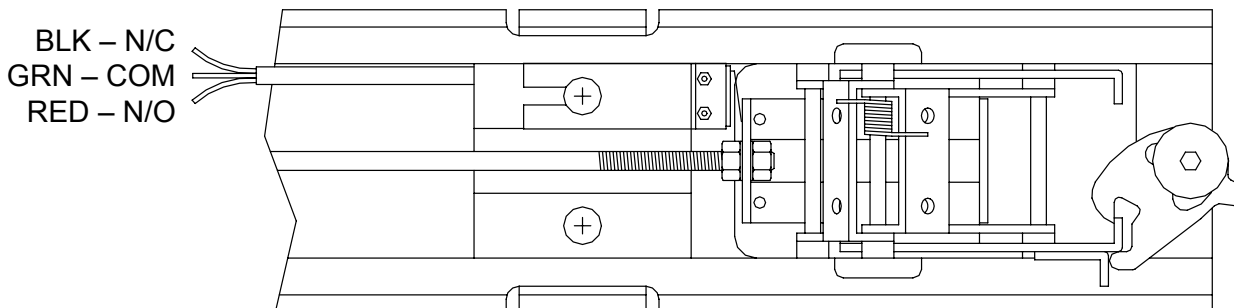
# SDC Security Door Controls

801 Avenida Acaso, Camarillo, Ca. 93012 • (805) 494-0622 •  
www.sdcsecurity.com • E-mail: service@sdsecurity.com

## 00535 INSTALLATION INSTRUCTIONS 1390 DOROMATIC/KAWNEER MID PANEL SWITCH KIT



- 1 SLIDE 3 PCS. OF SHRINK TUBING OVER WIRES FROM CABLE.
- 2 SOLDER WIRES FROM CABLE AS SHOWN AND COVER USING SHRINK TUBING. SHRINK THE TUBING.
- 3 ATTACH SWITCH TO BRACKET USING SCREWS AND NUTS.
- 4 REMOVE EXISTING SCREW FROM PUSH BAR AS SHOWN.
- 5 INSTALL SWITCH BRACKET AS SHOWN AND FASTEN EXISTING SCREW.



### Applications

#### Remote Latch Status Monitoring:

Retracting the latch by depressing the push pad provides an output signal for local or remote visual and audible annunciation indicating forced entry or unauthorized egress.

**Access Control REX:** When connected to the Request-To-Exit input of a keypad, card or biometric Access Controller, depressing the pushpad and retracting the latch actuates the Latch Status contact, shunting the control access control alarm to permit authorized egress and/or releases the magnetic door lock for uninhibited egress.

**Magnetic Lock Release:** Where Access Controller with REX input is unavailable, the N/C contact of the switch is wired in series between the power supply and fail safe magnetic lock. Depressing the exit device pushpad retracts the latch, causing the contact to open, thereby releasing the magnetic lock for uninhibited egress.

**Mantrap Logic:** Provides N/O and N/C contacts required for 2 or more communicating doors for Interlock and Mantrap applications.