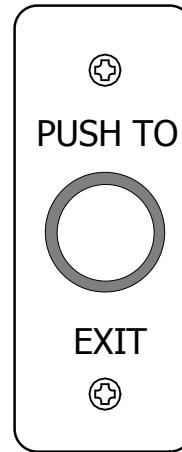
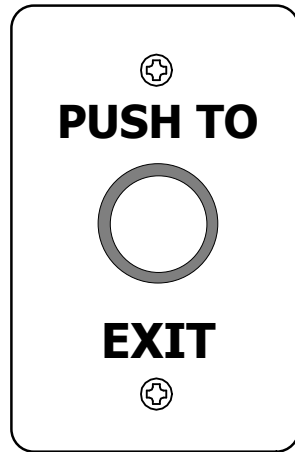


SDC Security Door Controls

801 Avenida Acaso, Camarillo, Ca. 93012 • (805) 494-0622 •
www.sdcsecurity.com • E-mail: service@sdsecurity.com

INSTALLATION INSTRUCTIONS MODEL 463U/463NU REQUEST-TO-EXIT SWITCH



Specifications

Input Voltage Requirements:
12-24V AC/DC

Current Draw:
Idle-30mA, Active-150mA

Output:
1 Dry Relay Contact, SDPT
3 Amp @ 30VDC (Resistive)

Relay Time:
Adjustable – 1 to 30 seconds
or Toggle Mode – ON/OFF

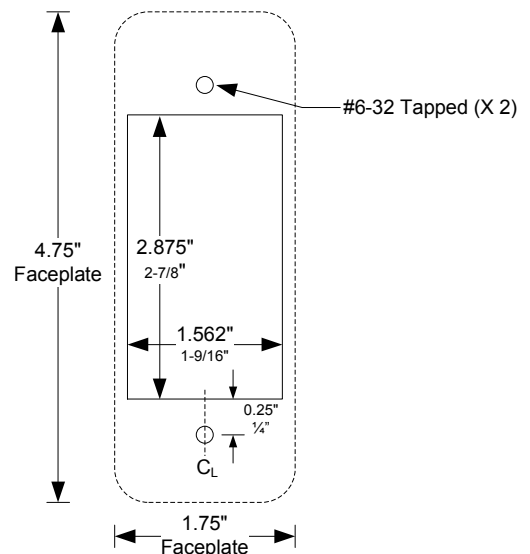
Switch Operating Environment:
-40° F to +160°F (-40° C to +70°C)

Dimensions:
463U - Standard
4.75" H x 3" W x 1.125" D
(120.65 x 76.20 x 28.58 mm)
463NU - Narrow
4.75" H x 1.75" W x 1.125" D
(120.65 x 44.45 x 28.58 mm)

Mounting Method

463U:
Mounts directly to a single gang switchbox.

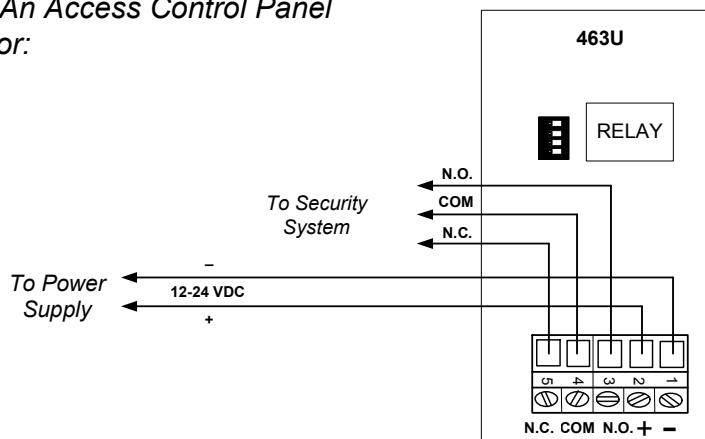
463NU: Mullion mount
(See template below. Not to scale.)



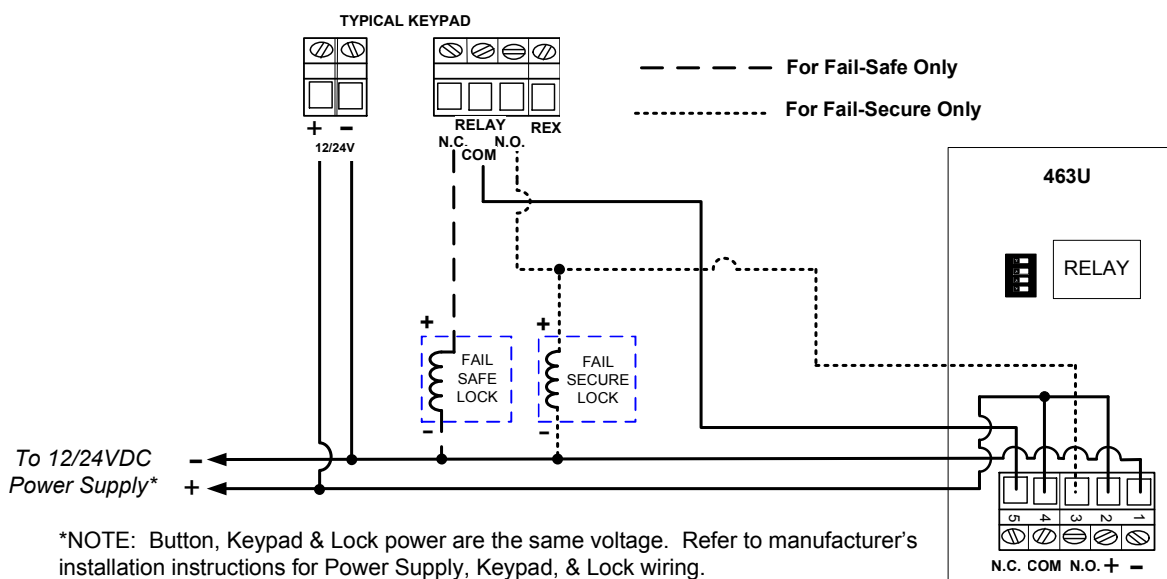
Any suggestions or comments to this instruction or product are welcome. Please contact us through our website or email engineer@sdsecurity.com

Typical Wiring

Connecting To An Access Control Panel or Door Operator:

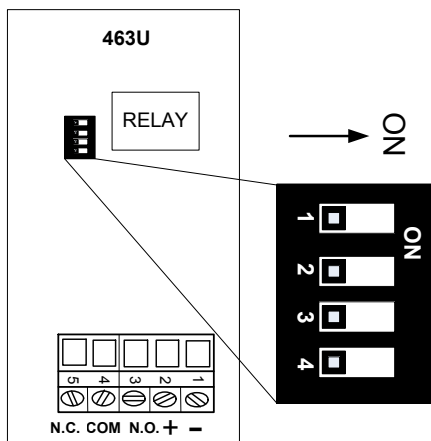


Connecting To A Keypad Controlled Fail-Safe OR Fail-Secure Locking Device:



Programming

Use the DIP switches to adjust the Relay Activation Time or to reverse the Standby Illumination setting.



Programming Feature	Dip Switch #			
	1	2	3	4
5 second unlock delay	ON			
10 second unlock delay		ON		
20 second unlock delay			ON	
Toggle ON/OFF	ON	ON	ON	
Standby Illumination				*

Relay Activation Time – Controlled by DIP switches #1, 2 & 3. DIP switches are additive. For example, DIP switches #1 & 2 in the ON position equals 15 seconds.
 Minimum Time (DIP switches 1, 2 & 3 are OFF) = 1 second
 Maximum Time (DIP switches 2 & 3 are ON) = 30 seconds

* **Standby Illumination Status** – controlled by DIP switch #4.
 SW #4 OFF = Red (Idle); Flashing Green (Relay Active)
 SW #4 ON = Green (Idle); Flashing Red (Relay Active)