

SDC SECURITY DOOR CONTROLS

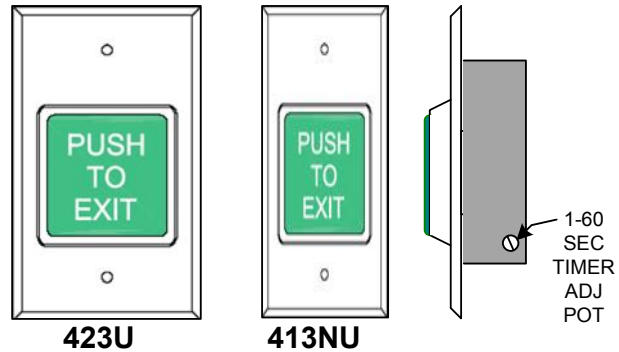
801 Avenida Acaso, Camarillo, CA 93012 • (805) 494-0622
www.sdcsecurity.com • E-mail: service@sdsecurity.com

INSTALLATION INSTRUCTIONS MODEL 413NU & 423U PUSH SWITCH 1-60 SECOND ADJUSTABLE TIME DELAY

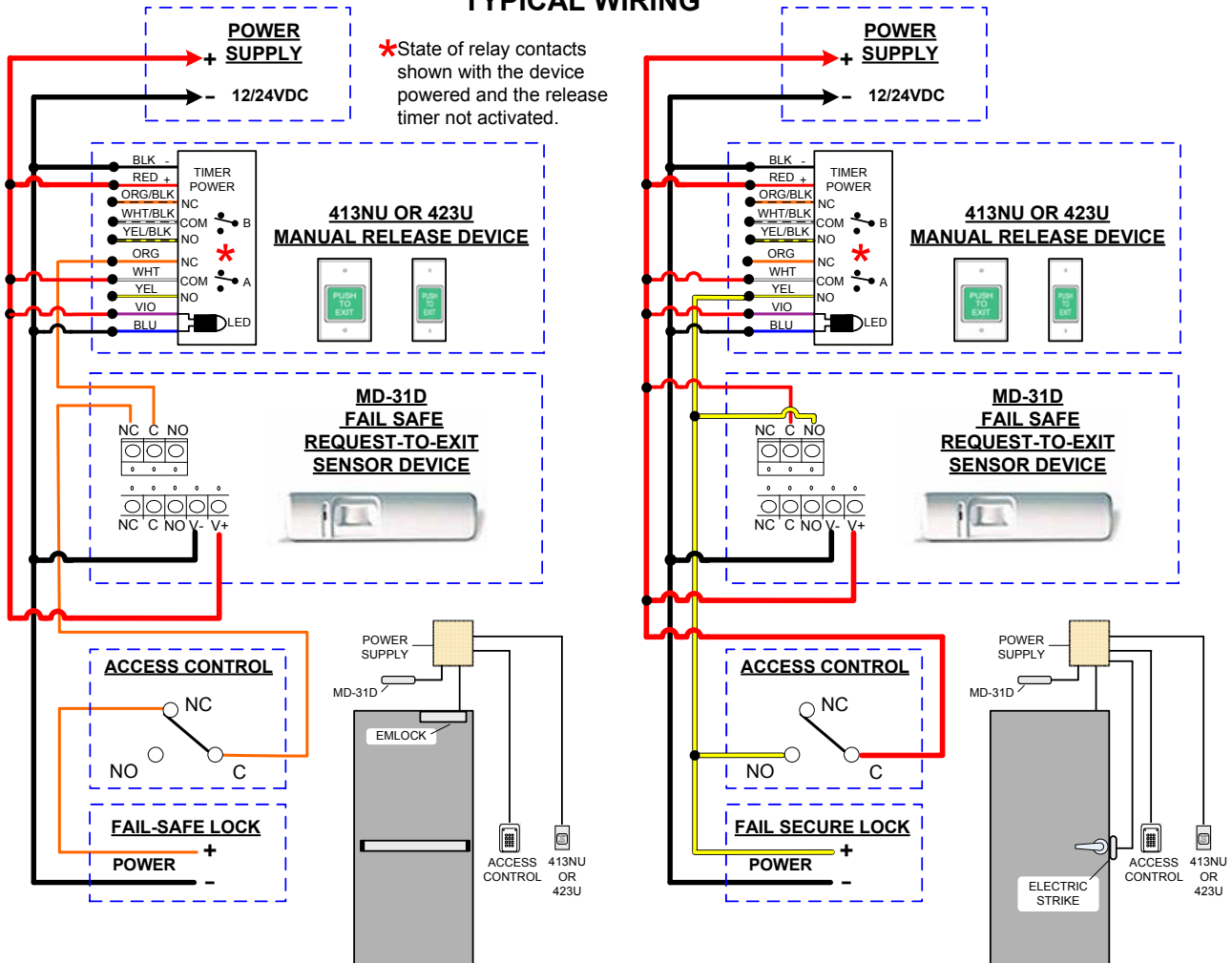
When the button is pressed, the lock releases for 1-60 seconds. If pressed again during the lock release period, the unit will "Retrigger" starting a new release period.

Electrical Specifications

Input Voltage : 12/24VDC @90ma.
LED Indicator : 12/24VDC @ 10/20ma
Output Relay: DPDT
Max Load : 30VDC @ 5 AMP (Resistive)



TYPICAL WIRING



Any suggestions or comments to this instruction or product are welcome. Please contact us through our website or email engineer@sdsecurity.com