

80 Series Parts Manual



For assistance, contact SARGENT at
800-727-5477 or www.sargentlock.com

Experience a safer
and more open world

Copyright © 2017-2021, SARGENT Manufacturing Company. All rights reserved. Reproduction in whole or in part without the express written permission of SARGENT Manufacturing Company is prohibited.

 **WARNING**

This product can expose you to lead which is known to the state of California to cause cancer and birth defects or other reproductive harm. For more information go to www.P65warnings.ca.gov.

A82311L 04/21

| | | | | |
|------------|------|------|------|------|
| 53-MD | 8406 | 8443 | 8446 | 8473 |
| MD- | 8410 | 8413 | 8415 | |
| 53-MD-5CH- | 8440 | 8474 | | |
| MD-5CH- | | | | |

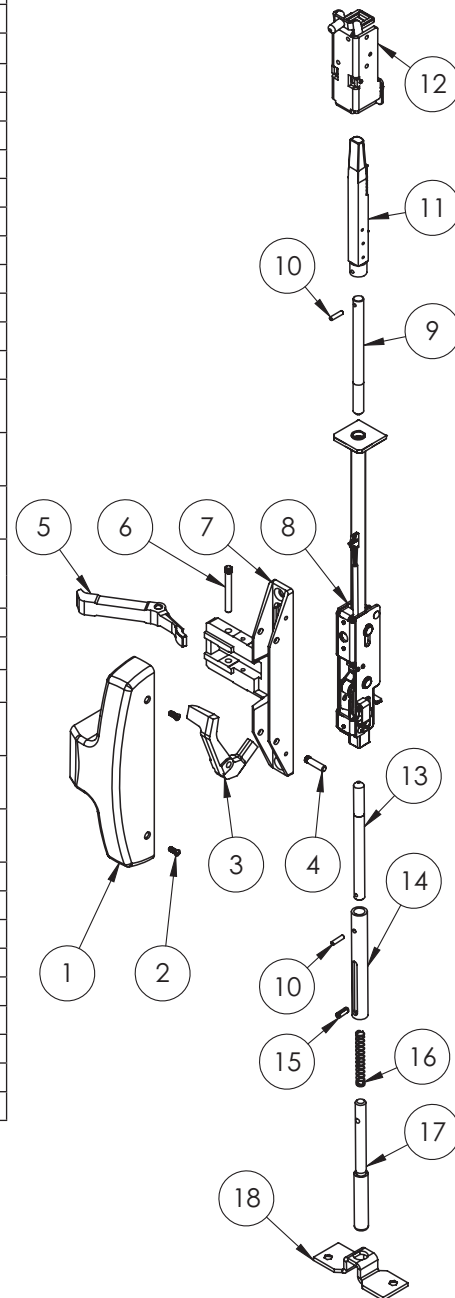
SARGENT
ASSA ABLOY

| Function | Assembly No. | Description | Sellable |
|--|--------------|-------------------|----------|
| 53-MD-(All Functions) MD-(All Functions) 53-MD-5CH-(All Functions) MD-5CH-(All Functions) | 68-5944 | LHRB Non-Cladded | Yes |
| | 68-5945 | RHRB Non-Cladded | Yes |
| | 68-5946 | LHRB 1/2" Cladded | Yes |
| | 68-5951 | RHRB 1/2" Cladded | Yes |
| | 68-6013 | LHRB 1/4" Cladded | Yes |
| | 68-6014 | RHRB 1/4" Cladded | Yes |

| Item | Assy No. | Part No. | Description | Qty | Sellable |
|------|------------------------------|------------------------------|--------------------------------|-------------|----------------------|
| 1 | N/A | 68-0496 | Chassis Cover, Narrow* | 1 | Yes |
| 2 | | 68-3905 | Screw Pack (B)* | 1 | Yes |
| 3 | See chart above | 68-1644 | LHRB Non-Cladded | 1 | Yes |
| | | 68-1645 | RHRB Non-Cladded | | Yes |
| | | 68-1646 | LHRB 1/2" Cladded | | Yes |
| | | 68-1647 | RHRB 1/2" Cladded | | Yes |
| | | 68-1649 | LHRB 1/4" Cladded | | Yes |
| | | 68-1650 | RHRB 1/4" Cladded | | Yes |
| | | 4 | 68-0479 | | Lift Lever Pivot Pin |
| 5 | 68-0241 | Lift Arm | 1 | Yes | |
| 6 | 68-0239 | Pivot Pin (Lift Arm) | 1 | Yes | |
| 7 | 68-0486 | Chassis | 1 | Yes | |
| 8 | 94-2008 | N/A | Inner Chassis Assembly | 1 | Yes |
| | 68-3854 | | 53-Inner Chassis Assembly | | Yes |
| | 68-7936 | | 5CH- Inner Chassis Assembly | | Yes |
| | 68-7789 | | 5CH-53- Inner Chassis Assembly | | Yes |
| 9 | (Std) MD660T (5CH) MD660T | (Std) MD660T (5CH) MD660T | Top Rod ^{1,2,3} | 1 | Yes |
| 10 | | | 01-0696 | Coiled Pin | 2 |
| 11 | (Std) MD691T (5CH) MD691T | 68-4840 | Latch Bolt Assembly | 1 | Yes |
| | | 67-7938 | 5CH Latch Bolt Assembly | 1 | Yes |
| 12 | 68-5374 | N/A | Top Case Assembly STD | 1 | Yes |
| | 68-5375 | | Top Case Assembly 1/4" Cladded | | Yes |
| | 68-5376 | | Top Case Assembly 1/2" Cladded | | Yes |
| 13 | (Std) 660B (5CH) 660B | (Std) 660B (5CH) 660B | Bottom Rod ^{1,2,3} | 1 | Yes |
| 14 | | | 94-0039 | Bolt Sleeve | 1 |
| 15 | (Std) 691B (5CH) 691B | 01-4389 | Roll Pin | 1 | Yes |
| 16 | | 97-0454 | Spring (Bottom Bolt) | 1 | Yes |
| 17 | N/A | 94-0038 | Bottom Bolt | 1 | Yes |
| 18 | | 68-0888 | Bottom Plate | 1 | Yes |
| | | 68-3676 | Screw Pack* | 1 | Yes |
| | 652 | Strike Pack | 1 | Yes | |

*Specify Finish

1. Specify AFF
2. Specify Opening Height
3. Specify Standard or 5CH prefix before order.



A8231L 04/21

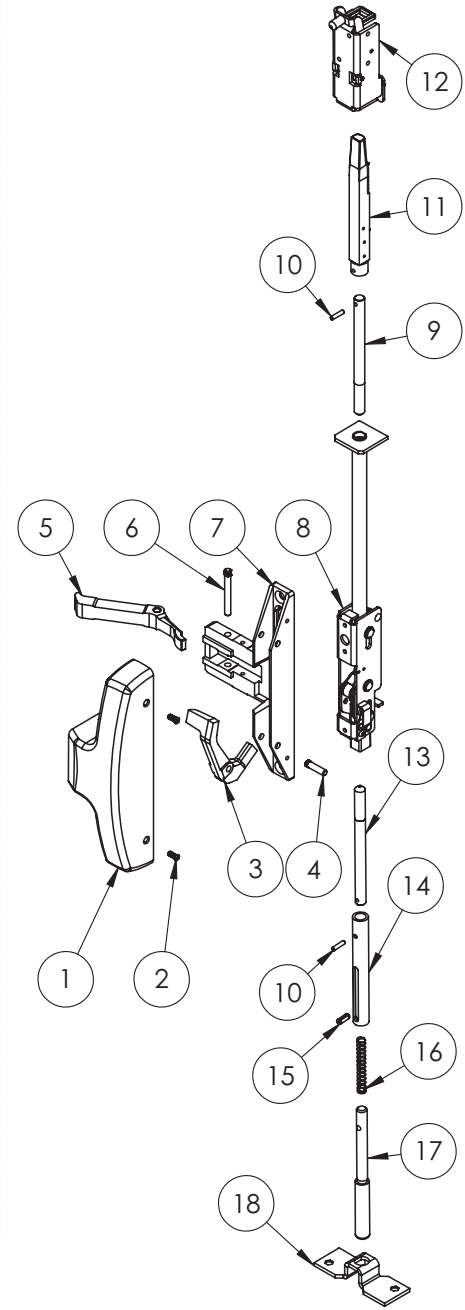
The warranty on SARGENT® products becomes void if the product is modified in any way, regardless of whether the modification causes or contributes to any alleged defect. If a SARGENT product is modified it may no longer meet industry certification and quality control standards applicable to the original product and is no longer a genuine SARGENT product.

Copyright © 2017-2021, SARGENT Manufacturing Company. All rights reserved. Reproduction in whole or in part without the express written permission of SARGENT Manufacturing Company is prohibited.

12-53-MD- 8406 8443 8446 8473
 12-MD- 8410 8413 8415 8440
 12-53-MD-5CH- 8474
 12-MD-5CH-

| Function | Assembly No. | Description | Sellable |
|--|--------------|-------------------|----------|
| 12-53-MD-(All Functions) 12-MD-(All Functions) 12-53-MD-5CH-(All Functions) 12-MD-5CH-(All Functions) | 68-5944 | LHRB Non-Cladded | Yes |
| | 68-5945 | RHRB Non-Cladded | Yes |
| | 68-5946 | LHRB 1/2" Cladded | Yes |
| | 68-5951 | RHRB 1/2" Cladded | Yes |
| | 68-6013 | LHRB 1/4" Cladded | Yes |
| | 68-6014 | RHRB 1/4" Cladded | Yes |

| Item | Assy No. | Part No. | Description | Qty | Sellable |
|------|--------------------------|--------------|-----------------------------------|--------------|----------|
| 1 | N/A | 68-0496 | Chassis Cover, Narrow* | 1 | Yes |
| 2 | | 68-3905 | Screw Pack (B)* | 1 | Yes |
| 3 | See chart above | 68-1644 | LHRB Non-Cladded | 1 | Yes |
| | | 68-1645 | RHRB Non-Cladded | | Yes |
| | | 68-1646 | LHRB 1/2" Cladded | | Yes |
| | | 68-1647 | RHRB 1/2" Cladded | | Yes |
| | | 68-1649 | LHRB 1/4" Cladded | | Yes |
| | | 68-1650 | RHRB 1/4" Cladded | | Yes |
| 4 | | 68-0479 | Lift Lever Pivot Pin | 1 | Yes |
| 5 | | 68-0241 | Lift Arm | 1 | Yes |
| 6 | | 68-0239 | Pivot Pin (Lift Arm) | 1 | Yes |
| 7 | | 68-0486 | Chassis | 1 | Yes |
| 8 | 68-3627 | N/A | 12- Inner Chassis Assembly | 1 | Yes |
| | 68-3855 | | 12-53- Inner Chassis Assembly | | Yes |
| | 68-7935 | | 5CH-12- Inner Chassis Assembly | | Yes |
| | 68-7790 | | 5CH-12-53- Inner Chassis Assembly | | Yes |
| 9 | (Std) MD660T | (Std) MD660T | Top Rod ^{1,2,3} | 1 | Yes |
| | (5CH) MD660T | | | | |
| 10 | (Std) MD691T | 01-0696 | Coiled Pin | 2 | Yes |
| 11 | (5CH) MD691T | 68-4840 | Latch Bolt Assembly | 1 | Yes |
| | | 67-7938 | 5CH Latch Bolt Assembly | 1 | Yes |
| 12 | 68-5374 | 67-7938 | Top Case Assembly STD | 1 | Yes |
| | 68-5375 | | Top Case Assembly 1/4" Cladded | | Yes |
| | 68-5376 | | Top Case Assembly 1/2" Cladded | | Yes |
| 13 | | (Std) 660B | Bottom Rod ^{1,2,3} | 1 | Yes |
| | | (5CH) 660B | | 1 | Yes |
| 14 | (Std) 691B (5CH) 691B | 94-0039 | Bolt Sleeve | 1 | Yes |
| 15 | | 01-4389 | Roll Pin | 1 | Yes |
| 16 | | 97-0454 | Spring (Bottom Bolt) | 1 | Yes |
| 17 | | 94-0038 | Bottom Bolt | 1 | Yes |
| 18 | | N/A | 68-0888 | Bottom Plate | 1 |
| | 68-3676 | | Screw Pack* | 1 | Yes |
| | 650 | | Top Strike Pack | 1 | Yes |
| | 606 | | Bottom Strike Pack | 1 | Yes |



*Specify Finish
 1. Specify AFF
 2. Specify Opening Height
 3. Specify Standard or 5CH prefix before order.

Experience a safer
 and more open world

The warranty on SARGENT® products becomes void if the product is modified in any way, regardless of whether the modification causes or contributes to any alleged defect. If a SARGENT product is modified it may no longer meet industry certification and quality control standards applicable to the original product and is no longer a genuine SARGENT product.

Copyright © 2017-2021, SARGENT Manufacturing Company. All rights reserved. Reproduction in whole or in part without the express written permission of SARGENT Manufacturing Company is prohibited.

| | | | | |
|---------------|------|------|------|------|
| 53-NB-MD | 8406 | 8443 | 8446 | 8473 |
| NB-MD- | 8410 | 8413 | 8415 | 8440 |
| 53-NB-MD-5CH- | 8474 | | | |
| NB-MD-5CH- | | | | |

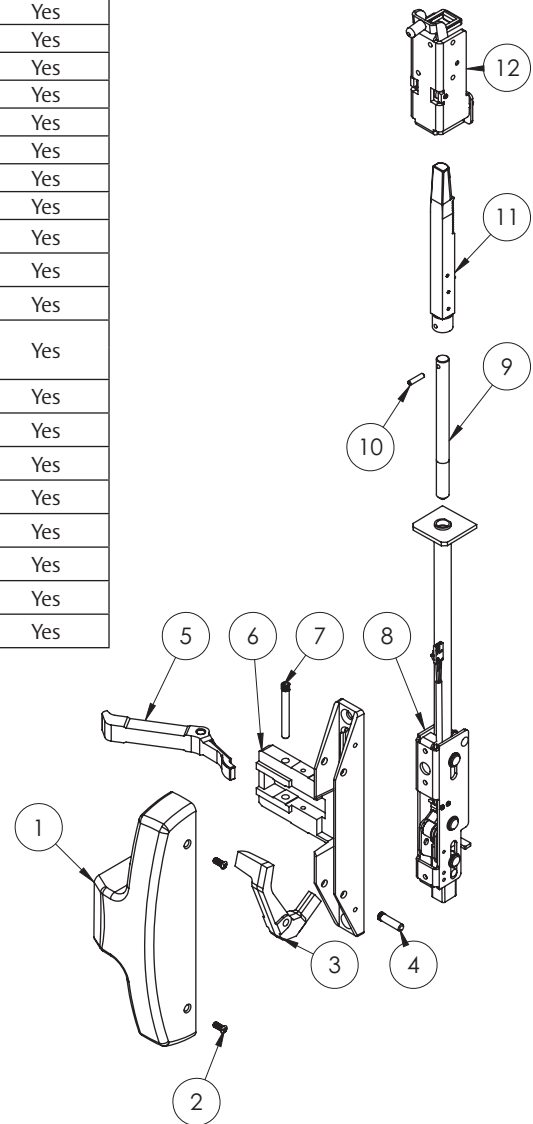
SARGENT®
ASSA ABLOY

| Function | Assembly No. | Description | Sellable |
|--|--------------|-------------------|----------|
| 53-NB-MD-(All Functions) NB-MD-(All Functions) 53-NB-MD-5CH-(All Functions) NB-MD-5CH-(All Functions) | 68-5944 | LHRB Non-Cladded | Yes |
| | 68-5945 | RHRB Non-Cladded | Yes |
| | 68-5946 | LHRB 1/2" Cladded | Yes |
| | 68-5951 | RHRB 1/2" Cladded | Yes |
| | 68-6013 | LHRB 1/4" Cladded | Yes |
| | 68-6014 | RHRB 1/4" Cladded | Yes |

| Item | Assy No. | Part No. | Description | Qty | Sellable |
|------|------------------------------|--------------|--------------------------------|-----|----------|
| 1 | N/A | 68-0496 | Chassis Cover, Narrow* | 1 | Yes |
| 2 | | 68-3905 | Screw Pack (B)* | 1 | Yes |
| 3 | See chart above | 68-1644 | LHRB Non-Cladded | 1 | Yes |
| | | 68-1645 | RHRB Non-Cladded | | Yes |
| | | 68-1646 | LHRB 1/2" Cladded | | Yes |
| | | 68-1647 | RHRB 1/2" Cladded | | Yes |
| | | 68-1649 | LHRB 1/4" Cladded | | Yes |
| | | 68-1650 | RHRB 1/4" Cladded | | Yes |
| | | 68-0479 | Lift Lever Pivot Pin | | 1 |
| 4 | | 68-0241 | Lift Arm | 1 | Yes |
| 5 | | 68-0486 | Chassis | 1 | Yes |
| 6 | | 68-0239 | Pivot Pin (Lift Arm) | 1 | Yes |
| 8 | 94-2008 | N/A | Inner Chassis Assembly | 1 | Yes |
| | 68-3854 | | 53-Inner Chassis Assembly | | Yes |
| | 68-7936 | | 5CH- Inner Chassis Assembly | | Yes |
| | 68-7789 | | 5CH-53- Inner Chassis Assembly | | Yes |
| 9 | | (Std) MD660T | Top Rod ^{1,2,3} | 1 | Yes |
| | (5CH) MD660T | | | | |
| 10 | (Std) MD691T (5CH) MD691T | 01-0696 | Coiled Pin | 2 | Yes |
| 11 | | 68-4840 | Latch Bolt Assembly | 1 | Yes |
| | | 67-7938 | 5CH Latch Bolt Assembly | 1 | Yes |
| 12 | 68-5374 | N/A | Top Case Assembly STD | 1 | Yes |
| | 68-5375 | | Top Case Assembly 1/4" Cladded | | Yes |
| | 68-5376 | | Top Case Assembly 1/2" Cladded | | Yes |
| 13 | N/A | 68-3676 | Screw Pack* | 1 | Yes |
| | | 650 | Top Strike Pack | 1 | Yes |

*Specify Finish

1. Specify AFF
2. Specify Opening Height
3. Specify Standard or 5CH prefix before order.



A8231.L 04/21

The warranty on SARGENT® products becomes void if the product is modified in any way, regardless of whether the modification causes or contributes to any alleged defect. If a SARGENT product is modified it may no longer meet industry certification and quality control standards applicable to the original product and is no longer a genuine SARGENT product.

Copyright © 2017-2021, SARGENT Manufacturing Company. All rights reserved. Reproduction in whole or in part without the express written permission of SARGENT Manufacturing Company is prohibited.

Experience a safer
and more open world

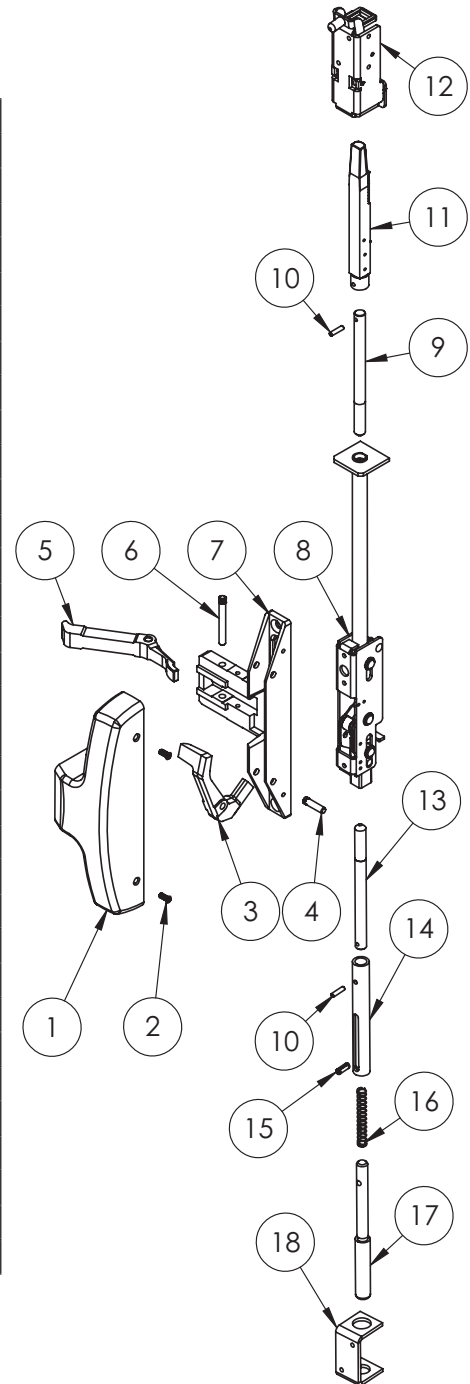
| | | | | |
|------------|------|------|------|------|
| 53-AD | 8406 | 8474 | 8440 | 8410 |
| AD | 8413 | 8415 | 8443 | 8446 |
| 53-AD-5CH- | 8473 | | | |
| AD-5CH- | | | | |

SARGENT
ASSA ABLOY

| Function | Assembly No. | Description | Sellable |
|--|--------------|-------------------|----------|
| 53-AD-(All Functions) AD-(All Functions) 53-AD-5CH-(All Functions) AD-5CH-(All Functions) | 68-5944 | LHRB Non-Cladded | Yes |
| | 68-5945 | RHRB Non-Cladded | Yes |
| | 68-5946 | LHRB 1/2" Cladded | Yes |
| | 68-5951 | RHRB 1/2" Cladded | Yes |
| | 68-6013 | LHRB 1/4" Cladded | Yes |
| | 68-6014 | RHRB 1/4" Cladded | Yes |

| Item | Assy No. | Part No. | Description | Qty | Sellable |
|------|------------------------------|--------------|--------------------------------|-------------|----------|
| 1 | N/A | 68-0496 | Chassis Cover, Narrow* | 1 | Yes |
| 2 | | 68-3905 | Screw Pack (B)* | 1 | Yes |
| 3 | See chart above | 68-1644 | LHRB Non-Cladded | 1 | Yes |
| | | 68-1645 | RHRB Non-Cladded | | Yes |
| | | 68-1646 | LHRB 1/2" Cladded | | Yes |
| | | 68-1647 | RHRB 1/2" Cladded | | Yes |
| | | 68-1649 | LHRB 1/4" Cladded | | Yes |
| | | 68-1650 | RHRB 1/4" Cladded | | Yes |
| 4 | | 68-0479 | Lift Lever Pivot Pin | 1 | Yes |
| 5 | | 68-0241 | Lift Arm | 1 | Yes |
| 6 | | 68-0239 | Pivot Pin (Lift Arm) | 1 | Yes |
| 7 | | 68-0486 | Chassis | 1 | Yes |
| 8 | 94-2008 | N/A | Inner Chassis Assembly | 1 | Yes |
| | 68-3854 | | 53- Inner Chassis Assembly | | Yes |
| | 68-7936 | | 5CH- Inner Chassis Assembly | | Yes |
| | 68-7789 | | 5CH-53- Inner Chassis Assembly | | Yes |
| 9 | | (Std) MD660T | Top Rod ^{1,2,3} | 1 | Yes |
| | | (5CH) MD660T | | | |
| 10 | (Std) MD691T (5CH) MD691T | 01-0696 | Coiled Pin | 2 | Yes |
| 11 | | 68-4840 | Latch Bolt Assembly | 1 | Yes |
| | | 67-7938 | 5CH Latch Bolt Assembly | 1 | Yes |
| 12 | 68-5374 | N/A | Top Case Assembly STD | 1 | Yes |
| | 68-5375 | | Top Case Assembly 1/4" Cladded | | Yes |
| | 68-5376 | | Top Case Assembly 1/2" Cladded | | Yes |
| 13 | | (Std) 660B | Bottom Rod ^{1,2,3} | 1 | Yes |
| | | (5CH) 660B | | 1 | Yes |
| 14 | (Std) 691B (5CH) 691B | 94-0039 | Bolt Sleeve | 1 | Yes |
| 15 | | 01-4389 | Roll Pin | 1 | Yes |
| 16 | | 97-0454 | Spring (Bottom Bolt) | 1 | Yes |
| 17 | | 94-0038 | Bottom Bolt | 1 | Yes |
| 18 | | N/A | 68-0037 | Bottom Case | 1 |
| | 68-3676 | | Screw Pack* | 1 | Yes |
| | 640 | | Aluminum Door Strike Pack | 1 | Yes |

*Specify Finish
1. Specify AFF
2. Specify Opening Height
3. Specify Standard or 5CH prefix before order.



A8231L 04/21

The warranty on SARGENT® products becomes void if the product is modified in any way, regardless of whether the modification causes or contributes to any alleged defect. If a SARGENT product is modified it may no longer meet industry certification and quality control standards applicable to the original product and is no longer a genuine SARGENT product.

Copyright © 2017-2021, SARGENT Manufacturing Company. All rights reserved. Reproduction in whole or in part without the express written permission of SARGENT Manufacturing Company is prohibited.

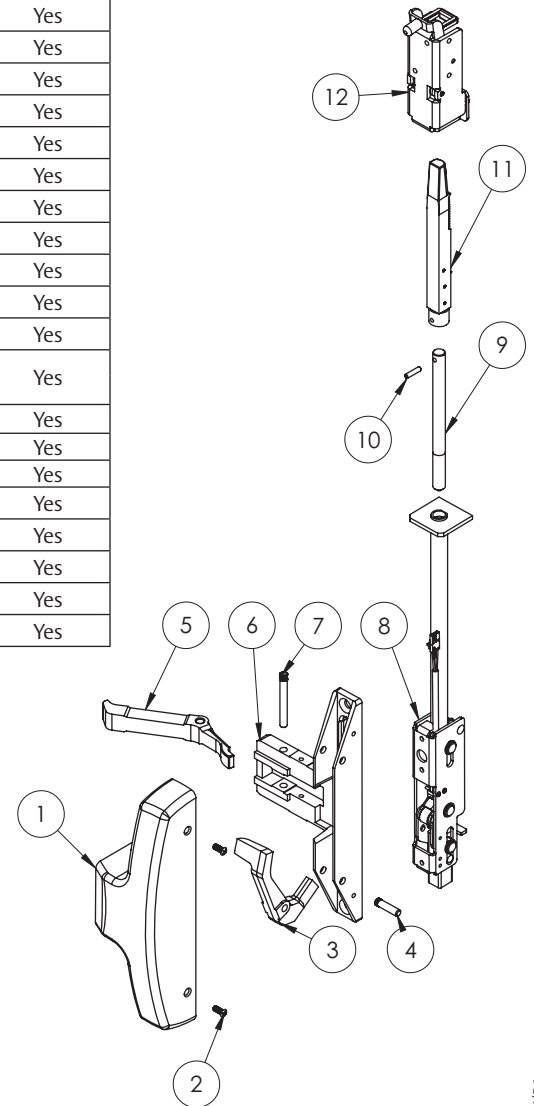
Experience a safer
and more open world

53-NB-AD 8406 8410 8413 8415 8440
 NB-AD- 8443 8446 8473 8474
 53-NB-AD-5CH-
 NB-AD-5CH-

| Function | Assembly No. | Description | Sellable |
|--|--------------|-------------------|----------|
| 53-NB-AD-(All Functions) NB-AD-(All Functions) 53-NB-AD-5CH-(All Functions) NB-AD-5CH-(All Functions) | 68-5944 | LHRB Non-Cladded | Yes |
| | 68-5945 | RHRB Non-Cladded | Yes |
| | 68-5946 | LHRB 1/2" Cladded | Yes |
| | 68-5951 | RHRB 1/2" Cladded | Yes |
| | 68-6013 | LHRB 1/4" Cladded | Yes |
| | 68-6014 | RHRB 1/4" Cladded | Yes |

| Item | Assy No. | Part No. | Description | Qty | Sellable |
|------|------------------------------|------------------------------|--------------------------------|-----|----------|
| 1 | N/A | 68-0496 | Chassis Cover, Narrow* | 1 | Yes |
| 2 | | 68-3905 | Screw Pack (B)* | 1 | Yes |
| 3 | See chart above | 68-1644 | LHRB Non-Cladded | 1 | Yes |
| | | 68-1645 | RHRB Non-Cladded | | Yes |
| | | 68-1646 | LHRB 1/2" Cladded | | Yes |
| | | 68-1647 | RHRB 1/2" Cladded | | Yes |
| | | 68-1649 | LHRB 1/4" Cladded | | Yes |
| | | 68-1650 | RHRB 1/4" Cladded | | Yes |
| 4 | | 68-0479 | Lift Lever Pivot Pin | 1 | Yes |
| 5 | | 68-0241 | Lift Arm | 1 | Yes |
| 6 | | 68-0486 | Chassis | 1 | Yes |
| 7 | | 68-0239 | Pivot Pin (Lift Arm) | 1 | Yes |
| 8 | 94-2008 | N/A | Inner Chassis Assembly | 1 | Yes |
| | 68-3854 | | 53- Inner Chassis Assembly | | Yes |
| | 68-7936 | | 5CH- Inner Chassis Assembly | | Yes |
| | 68-7789 | | 5CH-53- Inner Chassis Assembly | | Yes |
| 9 | | (Std) MD660T (5CH) MD660T | Top Rod ^{1,2,3} | 1 | Yes |
| 10 | (Std) MD691T (5CH) MD691T | 01-0696 | Coiled Pin | 2 | Yes |
| 11 | | 68-4840 | Latch Bolt Assembly | 1 | Yes |
| | | 67-7938 | 5CH Latch Bolt Assembly | 1 | Yes |
| 12 | 68-5374 | N/A | Top Case Assembly STD | 1 | Yes |
| | 68-5375 | | Top Case Assembly 1/4" Cladded | | Yes |
| | 68-5376 | | Top Case Assembly 1/2" Cladded | | Yes |
| 13 | N/A | 68-3676 | Screw Pack* | 1 | Yes |
| | | 639 | Aluminum Door Strike Pack | 1 | Yes |

*Specify Finish
 1. Specify AFF
 2. Specify Opening Height
 3. Specify Standard or 5CH prefix before order.



Experience a safer
 and more open world

The warranty on SARGENT® products becomes void if the product is modified in any way, regardless of whether the modification causes or contributes to any alleged defect. If a SARGENT product is modified it may no longer meet industry certification and quality control standards applicable to the original product and is no longer a genuine SARGENT product.

Copyright © 2017-2021, SARGENT Manufacturing Company. All rights reserved. Reproduction in whole or in part without the express written permission of SARGENT Manufacturing Company is prohibited.

| | | | | |
|------------|------|------|------|------|
| 53-MD- | 8606 | 8643 | 8646 | 8673 |
| 59-MD | 8610 | 8613 | 8615 | 8674 |
| MD- | 8640 | | | |
| 53-MD-5CH- | | | | |
| MD-5CH- | | | | |

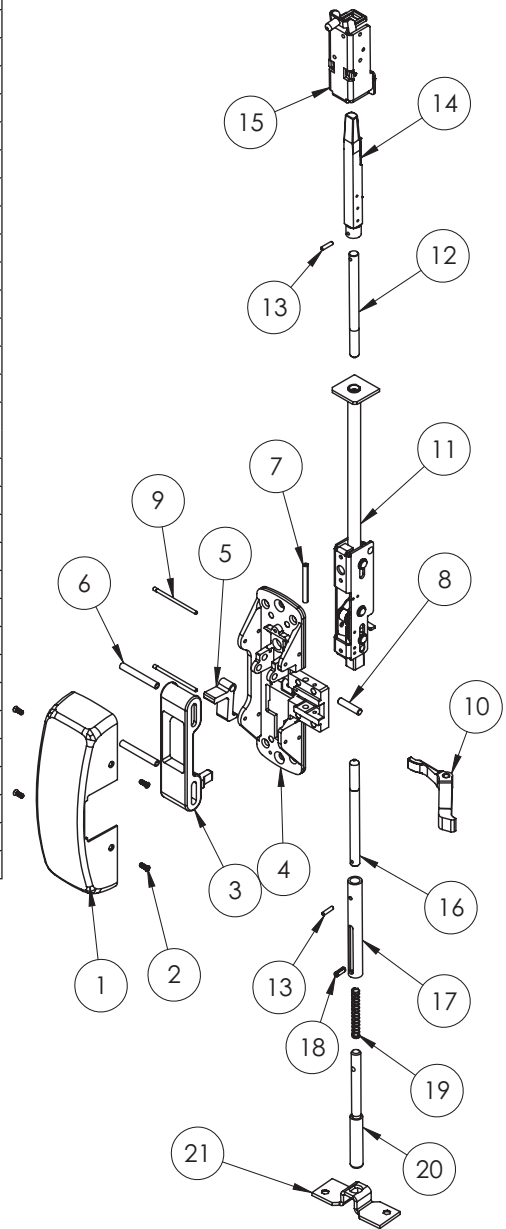
SARGENT
ASSA ABLOY

| Function | Assembly No. | Description | Sellable |
|--|--------------|---------------------------|----------|
| 53-MD- 59-MDMD- 53-MD-5CH- MD-5CH- (All Functions) | 68-5068 | LHRB Chassis Assembly | Yes |
| | 68-5069 | RHRB Chassis Assembly | Yes |
| | 68-5070 | 59- LHRB Chassis Assembly | Yes |
| | 68-5071 | 59- RHRB Chassis Assembly | Yes |

| Item | Assy No. | Part No. | Description | Qty | Sellable | | |
|-----------------------|--------------------------------|--------------|--|---------|---|---|-----|
| 1 | N/A | 68-0407 | Chassis Cover* | 1 | Yes | | |
| 2 | | 68-3905 | Screw Pack (B)* | 1 | Yes | | |
| 3 | | 68-0011 | Main Slide | 1 | Yes | | |
| | | 68-1815 | 59- Main Slide | | No | | |
| | | 68-1836 | Main Slide Cup to 1/2" Cladding ⁴ | | Yes | | |
| 4 | | 68-1505 | Chassis (LH) | 1 | Yes | | |
| | | 68-1506 | Chassis (RH) | | Yes | | |
| 5 6 7 8 9 | See chart above | 68-1503 | Lift Lever | 1 | Yes | | |
| | | 68-0012 | Roller (Main Slide) | 2 | Yes | | |
| | | 01-4512 | Spirol Pin | 1 | Yes | | |
| | | 68-0324 | Lift Lever Pivot Pin | 1 | Yes | | |
| | | 68-0323 | Chassis Pin | 2 | Yes | | |
| | | 68-0241 | Lift Arm | 1 | Yes | | |
| | | 68-1137 | 59- Lift Arm | | Yes | | |
| | | 11 | | 94-2008 | Inner Chassis Assembly | 1 | Yes |
| | | | | 68-3854 | 53- Inner Chassis Assembly ³ | | Yes |
| | | | | 68-7936 | 5CH- Inner Chassis Assembly | | Yes |
| 68-7789 | 5CH-53- Inner Chassis Assembly | | | Yes | | | |
| 12 | (Std) MD691T (5CH) MD691T | (Std) MD660T | Top Rod ^{1,2,5} | 1 | Yes | | |
| | | (5CH) MD660T | | | | | |
| 13 | | 01-0696 | Coiled Pin | 2 | Yes | | |
| 14 | | 68-4840 | Latch Bolt Assembly | 1 | Yes | | |
| | | 67-7938 | 5CH Latch Bolt Assembly | 1 | Yes | | |
| 15 | | 68-5374 | Top Case Assembly STD | 1 | Yes | | |
| | | 68-5375 | Top Case Assembly 1/4" Cladded | | Yes | | |
| | | 68-5376 | Top Case Assembly 1/2" Cladded | | Yes | | |
| 16 | (Std) 691B (5CH) 691B | (Std) 660B | Bottom Rod ^{1,2,5} | 1 | Yes | | |
| | | (5CH) 660B | | 1 | Yes | | |
| 17 | | 94-0039 | Bolt Sleeve | 1 | Yes | | |
| 18 | | 01-4389 | Roll Pin | 1 | Yes | | |
| 19 | | 97-0454 | Spring (Bottom Bolt) | 1 | Yes | | |
| 20 | | 94-0038 | Bottom Bolt | 1 | Yes | | |
| 21 | N/A | 68-0888 | Bottom Plate | 1 | Yes | | |
| | | 68-4389 | Screw Pack (W)* | 1 | Yes | | |
| | | 652 | Strike Pack | 1 | Yes | | |

*Specify Finish

1. Specify AFF
2. Specify Opening Height
3. Also used with 59-
4. Cut the main slide finger as needed for panel thickness
5. Specify Standard or 5CH prefix before order.



A8231L 04/21

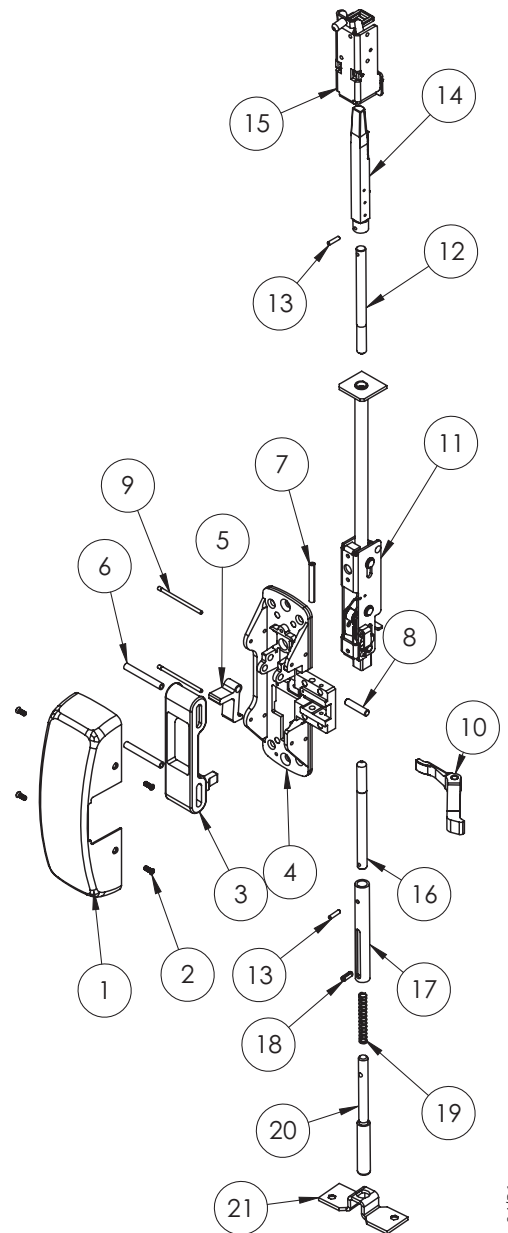
The warranty on SARGENT® products becomes void if the product is modified in any way, regardless of whether the modification causes or contributes to any alleged defect. If a SARGENT product is modified it may no longer meet industry certification and quality control standards applicable to the original product and is no longer a genuine SARGENT product.

| | | | | |
|---------------|------|------|------|------|
| 12-53-MD- | 8606 | 8643 | 8646 | 8673 |
| 12-59-MD- | 8610 | 8613 | 8615 | 8674 |
| 12-MD- | 8640 | | | |
| 12-53-MD-5CH- | | | | |
| 12-MD-5CH- | | | | |

| Function | Assembly No. | Description | Sellable |
|-----------------|--------------|---------------------------|----------|
| 12-53-MD- | 68-5068 | LHRB Chassis Assembly | Yes |
| 12-59-MD- | 68-5069 | RHRB Chassis Assembly | Yes |
| 12-MD- | 68-5070 | 59- LHRB Chassis Assembly | Yes |
| 12-53-MD-5CH- | 68-5071 | 59- RHRB Chassis Assembly | Yes |
| 12-MD-5CH- | | | |
| (All Functions) | | | |

| Item | Assy No. | Part No. | Description | Qty | Sellable | |
|------|------------------------------|-----------------------------------|--|---|------------|-----|
| 1 | N/A | 68-0407 | Chassis Cover* | 1 | Yes | |
| 2 | | 68-3905 | Screw Pack (B)* | 1 | Yes | |
| 3 | See chart above | 68-0011 | Main Slide | 1 | Yes | |
| | | 68-1815 | 59- Main Slide | | No | |
| | | 68-1836 | Main Slide Cup to 1/2" Cladding ⁴ | | Yes | |
| 4 | See chart above | 68-1505 | Chassis (LH) | 1 | Yes | |
| | | 68-1506 | Chassis (RH) | | Yes | |
| 5 | See chart above | 68-1503 | Lift Lever | 1 | Yes | |
| 6 | | 68-0012 | Roller (Main Slide) | 2 | Yes | |
| 7 | | 01-4512 | Spirol Pin | 1 | Yes | |
| 8 | | 68-0324 | Lift Lever Pivot Pin | 1 | Yes | |
| 9 | | 68-0323 | Chassis Pin | 2 | Yes | |
| 10 | | 68-0241 | Lift Arm | 1 | Yes | |
| | | 68-1137 | 59- Lift Arm | | Yes | |
| 11 | | 68-3627 | N/A | 12- Inner Chassis Assembly | 1 | Yes |
| | | 68-3855 | | 12- 53- Inner Chassis Assembly ³ | | Yes |
| | | 68-7935 | | 5CH-12- Inner Chassis Assembly | | Yes |
| | 68-7790 | 5CH-12-53- Inner Chassis Assembly | | Yes | | |
| 12 | (Std) MD660T (5CH) MD660T | N/A | Top Rod ^{1,2,5} | 1 | Yes | |
| 13 | | | (Std) MD691T (5CH) MD691T | 01-0696 | Coiled Pin | 2 |
| 14 | N/A | 68-4840 | Latch Bolt Assembly | 1 | Yes | |
| | | 67-7938 | 5CH Latch Bolt Assembly | 1 | Yes | |
| 15 | 68-5374 | N/A | Top Case Assembly STD | 1 | Yes | |
| | 68-5375 | | Top Case Assembly 1/4" Cladded | | Yes | |
| | 68-5376 | | Top Case Assembly 1/2" Cladded | | Yes | |
| 16 | (Std) 660B (5CH) 660B | N/A | Bottom Rod ^{1,2,5} | 1 | Yes | |
| | (Std) 691B (5CH) 691B | | 94-0039 | Bolt Sleeve | 1 | Yes |
| 18 | N/A | 01-4389 | Roll Pin | 1 | Yes | |
| 19 | | 97-0454 | Spring (Bottom Bolt) | 1 | Yes | |
| 20 | | 94-0038 | Bottom Bolt | 1 | Yes | |
| 21 | | 68-0888 | N/A | Bottom Plate | 1 | Yes |
| | 68-4389 | Screw Pack(W)* | | 1 | Yes | |
| | 650 | Top Strike Pack | | 1 | Yes | |
| | 606 | Bottom Strike Pack | | | Yes | |

- *Specify Finish
1. Specify AFF
2. Specify Opening Height
3. Also used with 12-59-
4. Cut the main slide finger as needed for panel thickness
5. Specify Standard or 5CH prefix before order



Experience a safer
and more open world

The warranty on SARGENT® products becomes void if the product is modified in any way, regardless of whether the modification causes or contributes to any alleged defect. If a SARGENT product is modified it may no longer meet industry certification and quality control standards applicable to the original product and is no longer a genuine SARGENT product.

Copyright © 2017-2021, SARGENT Manufacturing Company. All rights reserved. Reproduction in whole or in part without the express written permission of SARGENT Manufacturing Company is prohibited.

| | | | | |
|---------------|------|------|------|------|
| 53-NB-MD- | 8606 | 8610 | 8613 | 8615 |
| 59-NB-MD- | 8640 | 8643 | 8646 | 8673 |
| NB-MD- | 8674 | | | |
| 53-NB-MD-5CH- | | | | |
| NB-MD-5CH- | | | | |

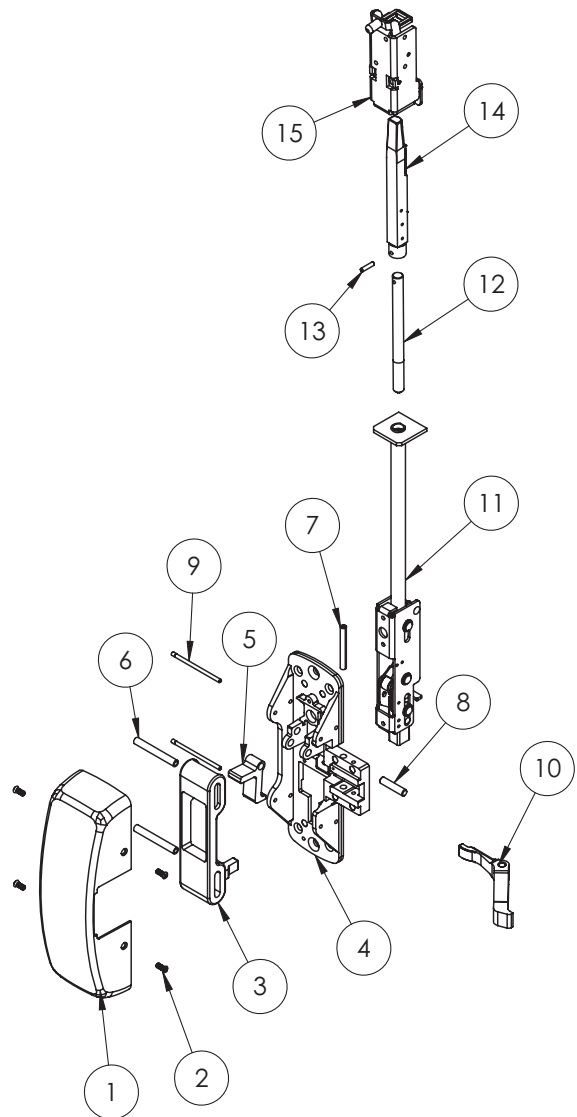
SARGENT
ASSA ABLOY

| Function | Assembly No. | Description | Sellable |
|--|--------------|---------------------------|----------|
| 53-NB-MD- | 68-5068 | LHRB Chassis Assembly | Yes |
| 59-NB-MD- | 68-5069 | RHRB Chassis Assembly | Yes |
| NB-MD- | 68-5070 | 59- LHRB Chassis Assembly | Yes |
| 53-NB-MD-5CH- NB-MD-5CH- (All Functions) | 68-5071 | 59- RHRB Chassis Assembly | Yes |

| Item | Assy No. | Part No. | Description | Qty | Sellable |
|---------|--------------------------------|---|--|------------------------|----------|
| 1 | N/A | 68-0407 | Chassis Cover* | 1 | Yes |
| 2 | | 68-3905 | Screw Pack (B)* | 1 | Yes |
| 3 | See chart above | 68-0011 | Main Slide | 1 | Yes |
| | | 68-1815 | 59- Main Slide | | No |
| | | 68-1836 | Main Slide Cup to 1/2" Cladding ⁴ | | Yes |
| 4 | See chart above | 68-1505 | Chassis (LH) | 1 | Yes |
| | | 68-1506 | Chassis (RH) | | Yes |
| 5 | See chart above | 68-1503 | Lift Lever | 1 | Yes |
| 6 | | 68-0012 | Roller (Main Slide) | 2 | Yes |
| 7 | | 01-4512 | Spirol Pin | 1 | Yes |
| 8 | | 68-0324 | Lift Lever Pivot Pin | 1 | Yes |
| 9 | | 68-0323 | Chassis Pin | 2 | Yes |
| | | 68-0241 | Lift Arm | | |
| 10 | | 68-1137 | 59- Lift Arm | 1 | Yes |
| | | 94-2008 | N/A | Inner Chassis Assembly | 1 |
| 68-3854 | | 53- Inner Chassis Assembly ³ | | Yes | |
| 68-7936 | | 5CH- Inner Chassis Assembly | | Yes | |
| 68-7789 | 5CH-53- Inner Chassis Assembly | Yes | | | |
| 12 | (Std) MD691T (5CH) MD691T | (Std) MD660T | Top Rod ^{1,2,5} | 1 | Yes |
| | | (5CH) MD660T | | | |
| 13 | (Std) MD691T (5CH) MD691T | 01-0696 | Coiled Pin | 2 | Yes |
| 14 | N/A | 68-4840 | Latch Bolt Assembly | 1 | Yes |
| | | 67-7938 | 5CH Latch Bolt Assembly | 1 | Yes |
| 15 | N/A | 68-5374 | Top Case Assembly STD | 1 | Yes |
| | | 68-5375 | Top Case Assembly 1/4" Cladded | | Yes |
| | | 68-5376 | Top Case Assembly 1/2" Cladded | | Yes |
| N/A | N/A | 68-4389 | Screw Pack(W)* | 1 | Yes |
| | | 650 | Top Strike Pack | 1 | Yes |

*Specify Finish

1. Specify AFF
2. Specify Opening Height
3. Also used with 59-
4. Cut the main slide finger as needed for panel thickness
5. Specify Standard or 5CH prefix before order



A8231.L 04/21

The warranty on SARGENT® products becomes void if the product is modified in any way, regardless of whether the modification causes or contributes to any alleged defect. If a SARGENT product is modified it may no longer meet industry certification and quality control standards applicable to the original product and is no longer a genuine SARGENT product.

Copyright © 2017-2021, SARGENT Manufacturing Company. All rights reserved. Reproduction in whole or in part without the express written permission of SARGENT Manufacturing Company is prohibited.

Experience a safer
and more open world

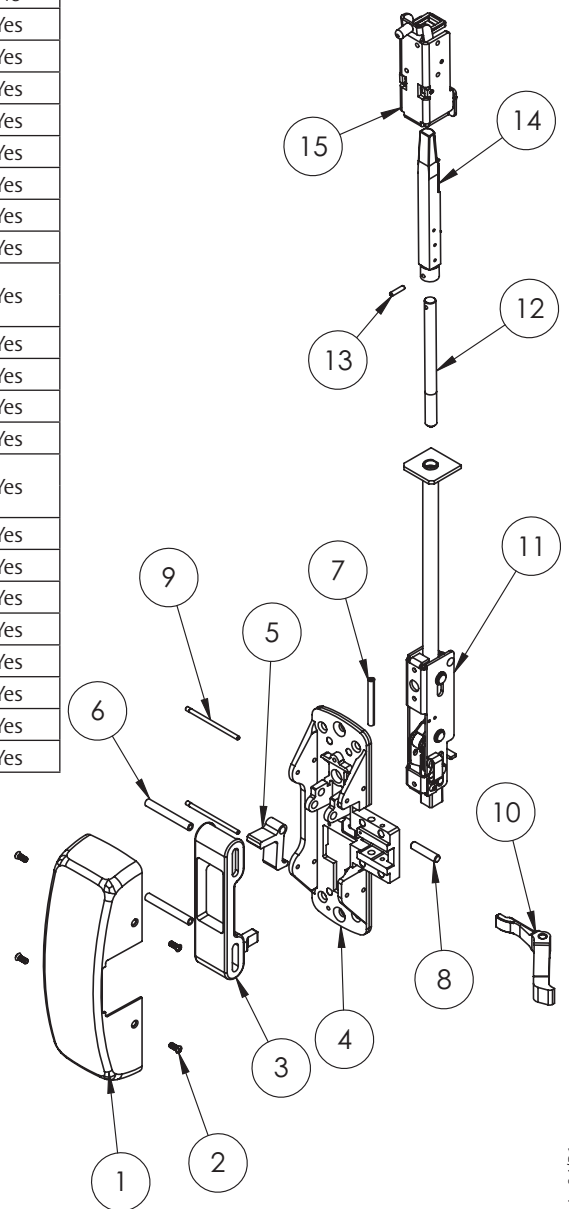
12-53-NB-MD- 8606 8610 8613 8615
 12-59-NB-MD- 8640 8643 8646 8673
 12-NB-MD- 8674
 12-53-NB-MD-5CH-
 12-NB-MD-5CH-

| Function | Assembly No. | Description | Sellable |
|--|--------------|---------------------------|----------|
| 12-53-NB-MD- | 68-5068 | LHRB Chassis Assembly | Yes |
| 12-59-NB-MD- | 68-5069 | RHRB Chassis Assembly | Yes |
| 12-NB-MD- | 68-5070 | 59- LHRB Chassis Assembly | Yes |
| 12-53-NB-MD-5CH- 12-NB-MD-5CH- (All Functions) | 68-5071 | 59- RHRB Chassis Assembly | Yes |

| Item | Assy No. | Part No. | Description | Qty | Sellable | |
|------|------------------------------|-----------------------------------|--|---|----------|-----|
| 1 | N/A | 68-0407 | Chassis Cover* | 1 | Yes | |
| 2 | | 68-3905 | Screw Pack (B)* | 1 | Yes | |
| 3 | | 68-0011 | Main Slide | 1 | Yes | |
| | | 68-1815 | 59- Main Slide | | No | |
| | | 68-1836 | Main Slide Cup to 1/2" Cladding ⁴ | | Yes | |
| 4 | | 68-1505 | Chassis (LH) | 1 | Yes | |
| | | 68-1506 | Chassis (RH) | | Yes | |
| 5 | See chart above | 68-1503 | Lift Lever | 1 | Yes | |
| 6 | | 68-0012 | Roller (Main Slide) | 2 | Yes | |
| 7 | | 01-4512 | Spirol Pin | 1 | Yes | |
| 8 | | 68-0324 | Lift Lever Pivot Pin | 1 | Yes | |
| 9 | | 68-0323 | Chassis Pin | 2 | Yes | |
| 10 | | 68-0241 | Lift Arm | 1 | Yes | |
| | | 68-1137 | 59- Lift Arm | | | |
| 11 | | 68-3627 | N/A | 12- Inner Chassis Assembly | 1 | Yes |
| | | 68-3855 | | 12- 53- Inner Chassis Assembly ³ | | Yes |
| | | 68-7935 | | 5CH-12- Inner Chassis Assembly | | Yes |
| | 68-7790 | 5CH-12-53- Inner Chassis Assembly | | Yes | | |
| 12 | | (Std) MD660T (5CH) MD660T | Top Rod ^{1,2,5} | 1 | Yes | |
| 13 | (Std) MD691T (5CH) MD691T | 01-0696 | Coiled Pin | 2 | Yes | |
| 14 | | 68-4840 | Latch Bolt Assembly | 1 | Yes | |
| | | 67-7938 | 5CH Latch Bolt Assembly | 1 | Yes | |
| 15 | 68-5374 | N/A | Top Case Assembly STD | 1 | Yes | |
| | | 68-5375 | Top Case Assembly 1/4" Cladded | | Yes | |
| | | 68-5376 | Top Case Assembly 1/2" Cladded | | Yes | |
| | N/A | 68-4389 | Screw Pack(W)* | 1 | Yes | |
| | | 650 | Top Strike Pack | 1 | Yes | |

*Specify Finish

1. Specify AFF
2. Specify Opening Height
3. Also used with 12-59-
4. Cut the main slide finger as needed for panel thickness
5. Specify Standard or 5CH prefix before order



| | | | | |
|------------|------|------|------|------|
| 53-AD- | 8606 | 8610 | 8613 | 8615 |
| 59-AD | 8640 | 8643 | 8646 | 8673 |
| AD- | 8674 | | | |
| 53-AD-5CH- | | | | |
| AD-5CH- | | | | |

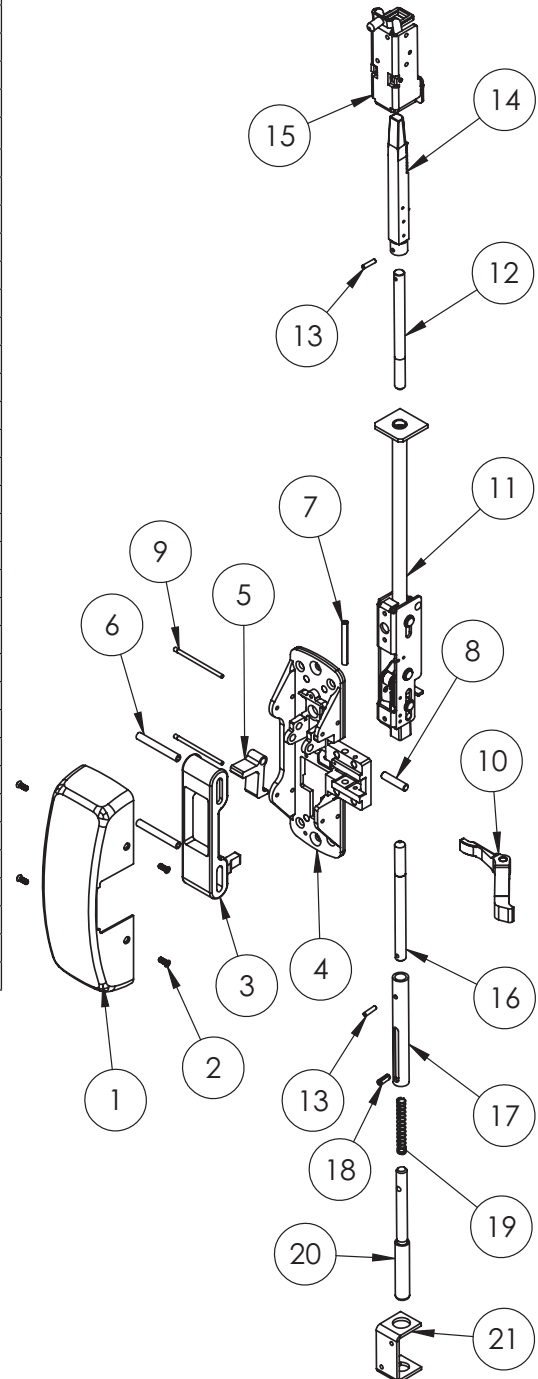
SARGENT
ASSA ABLOY

| Function | Assembly No. | Description | Sellable |
|--|--------------|---------------------------|----------|
| 53-AD- | 68-5068 | LHRB Chassis Assembly | Yes |
| 59-AD- | 68-5069 | RHRB Chassis Assembly | Yes |
| AD- | 68-5070 | 59- LHRB Chassis Assembly | Yes |
| 53-AD-5CH- AD-5CH- (All Functions) | 68-5071 | 59- RHRB Chassis Assembly | Yes |

| Item | Assy No. | Part No. | Description | Qty | Sellable | |
|------|------------------------------|--------------------------------|--|---|----------|-----|
| 1 | | 68-0407 | Chassis Cover* | 1 | Yes | |
| 2 | N/A | 68-3905 | Screw Pack (B)* | 1 | Yes | |
| 3 | | 68-0011 | Main Slide | 1 | Yes | |
| | | 68-1815 | 59- Main Slide | | No | |
| | | 68-1836 | Main Slide Cup to 1/2" Cladding ⁴ | | Yes | |
| 4 | | 68-1505 | Chassis (LH) | 1 | Yes | |
| | | 68-1506 | Chassis (RH) | | Yes | |
| 5 | See chart above | 68-1503 | Lift Lever | 1 | Yes | |
| 6 | | 68-0012 | Roller (Main Slide) | 2 | Yes | |
| 7 | | 01-4512 | Spirol Pin | 1 | Yes | |
| 8 | | 68-0324 | Lift Lever Pivot Pin | 1 | Yes | |
| 9 | | 68-0323 | Chassis Pin | 2 | Yes | |
| | | 68-0241 | Lift Arm | | | |
| 10 | | 68-1137 | 59- Lift Arm | 1 | Yes | |
| | | | | | | |
| 11 | | 94-2008 | N/A | Inner Chassis Assembly | 1 | Yes |
| | | 68-3854 | | 53- Inner Chassis Assembly ³ | | Yes |
| | 68-7936 | 5CH- Inner Chassis Assembly | | Yes | | |
| | 68-7789 | 5CH-53- Inner Chassis Assembly | | Yes | | |
| 12 | (Std) MD660T | N/A | Top Rod ^{1,2,5} | 1 | Yes | |
| | (5CH) MD660T | | | | | |
| 13 | (Std) MD691T (5CH) MD691T | 01-0696 | Coiled Pin | 2 | Yes | |
| 14 | | 68-4840 | Latch Bolt Assembly | 1 | Yes | |
| | | 67-7938 | 5CH Latch Bolt Assembly | 1 | Yes | |
| 15 | | N/A | Top Case Assembly STD | 1 | Yes | |
| | | | Top Case Assembly 1/4" Cladded | | Yes | |
| | | | Top Case Assembly 1/2" Cladded | | Yes | |
| 16 | | (Std) 660B | Bottom Rod ^{1,2,3} | 1 | Yes | |
| | | (5CH) 660B | | | | |
| 17 | (Std) 691B (5CH) 691B | 94-0039 | Bolt Sleeve | 1 | Yes | |
| 18 | | 01-4389 | Roll Pin | 1 | Yes | |
| 19 | | 97-0454 | Spring (Bottom Bolt) | 1 | Yes | |
| 20 | | 94-0038 | Bottom Bolt | 1 | Yes | |
| 21 | N/A | 68-0037 | Bottom Case | 1 | Yes | |
| | | 68-4389 | Screw Pack (W)* | 1 | Yes | |
| | | 640 | Aluminum Door Strike Pack | 1 | Yes | |

*Specify Finish

1. Specify AFF
2. Specify Opening Height
3. Also used with 59-
4. Cut the main slide finger as needed for panel thickness
5. Specify Standard or 5CH prefix before order



A8231L 04/21

The warranty on SARGENT® products becomes void if the product is modified in any way, regardless of whether the modification causes or contributes to any alleged defect. If a SARGENT product is modified it may no longer meet industry certification and quality control standards applicable to the original product and is no longer a genuine SARGENT product.

20

Copyright © 2017-2021, SARGENT Manufacturing Company. All rights reserved. Reproduction in whole or in part without the express written permission of SARGENT Manufacturing Company is prohibited.

Experience a safer
and more open world

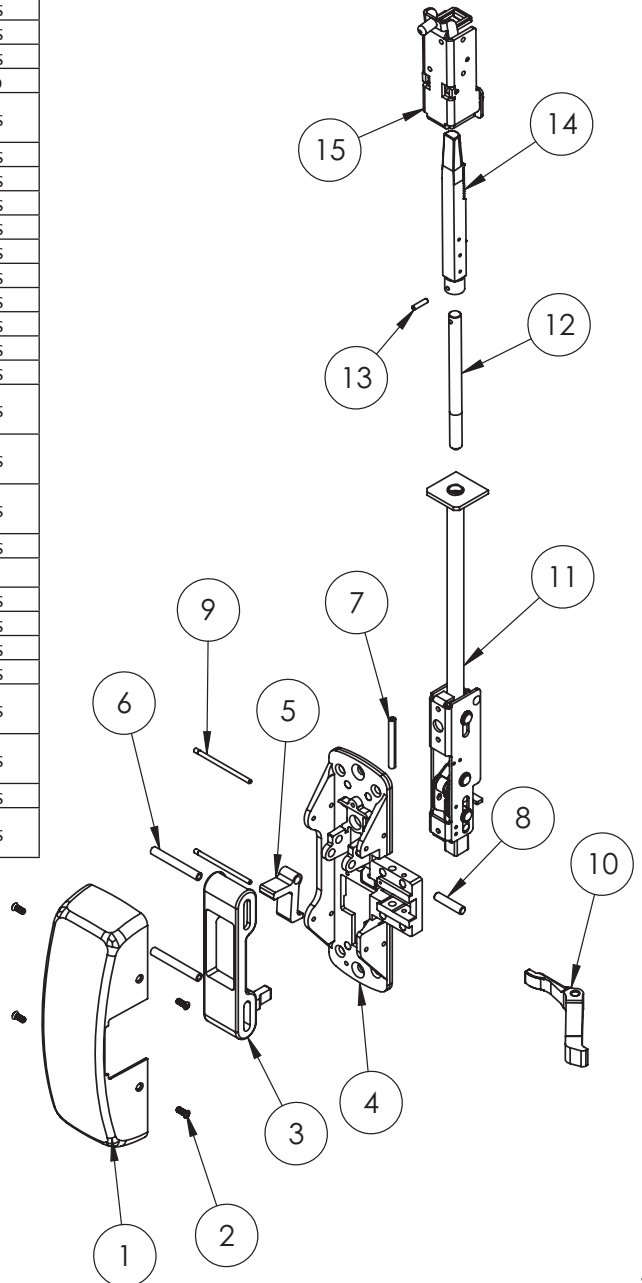
53-NB-AD- 8606 8610 8613 8615
 59-NB-AD- 8640 8643 8646 8673
 NB-AD- 8674
 53-NB-AD-5CH-
 NB-AD-5CH-

| Function | Assembly No. | Description | Sellable |
|--|--------------|---------------------------|----------|
| 53-NB-AD- | 68-5068 | LHRB Chassis Assembly | Yes |
| 59-NB-AD- | 68-5069 | RHRB Chassis Assembly | Yes |
| NB-AD- | 68-5070 | 59- LHRB Chassis Assembly | Yes |
| 53-NB-AD-5CH- NB-AD-5CH- (All Functions) | 68-5071 | 59- RHRB Chassis Assembly | Yes |

| Item | Assy No. | Part No. | Description | Qty | Sellable | |
|---------|------------------------------|--|--------------------------------|---|----------|-----|
| 1 | N/A | 68-0407 | Chassis Cover* | 1 | Yes | |
| 2 | | 68-3905 | Screw Pack (B)* | 1 | Yes | |
| 3 | See chart above | 68-0011 | Main Slide | 1 | Yes | |
| | | 68-1815 | 59- Main Slide | | No | |
| 68-1836 | | Main Slide Cup to 1/2" Cladding ⁴ | Yes | | | |
| 4 | | 68-1505 | Chassis (LH) | 1 | Yes | |
| 5 | See chart above | 68-1506 | Chassis (RH) | 1 | Yes | |
| | | 68-1503 | Lift Lever | 1 | Yes | |
| 68-0012 | | Roller (Main Slide) | 2 | Yes | | |
| 6 | | 01-4512 | Spirol Pin | 1 | Yes | |
| 7 | | 68-0241 | Lift Arm | 1 | Yes | |
| 8 | | 68-0323 | Chassis Pin | 2 | Yes | |
| 9 | | 68-0241 | Lift Arm | 1 | Yes | |
| | | 68-1137 | 59- Lift Arm | 1 | Yes | |
| 11 | | 94-2008 | N/A | Inner Chassis Assembly | 1 | Yes |
| | | 68-3854 | | 53- Inner Chassis Assembly ³ | | Yes |
| | 68-7936 | 5CH- Inner Chassis Assembly | | Yes | | |
| | 68-7789 | 5CH-53- Inner Chassis Assembly | | Yes | | |
| 9 | (Std) MD691T (5CH) MD691T | (Std) MD660T | Top Rod ^{1,2,5} | 1 | Yes | |
| 10 | | (5CH) MD660T | | | | |
| 10 | 11 | 01-0696 | Coiled Pin | 2 | Yes | |
| 11 | | 68-4840 | Latch Bolt Assembly | 1 | Yes | |
| 11 | | 67-7938 | 5CH Latch Bolt Assembly | 1 | Yes | |
| 15 | N/A | 68-5374 | Top Case Assembly STD | 1 | Yes | |
| | | 68-5375 | Top Case Assembly 1/4" Cladded | 1 | Yes | |
| | | 68-5376 | Top Case Assembly 1/2" Cladded | 1 | Yes | |
| N/A | N/A | 68-4389 | Screw Pack(W)* | 1 | Yes | |
| | | 639 | Aluminum Door Strike Pack | 1 | Yes | |

*Specify Finish

1. Specify AFF
2. Specify Opening Height
3. Also used with 59-
4. Cut the main slide finger as needed for panel thickness
5. Specify Standard or 5CH prefix before order



Experience a safer
 and more open world

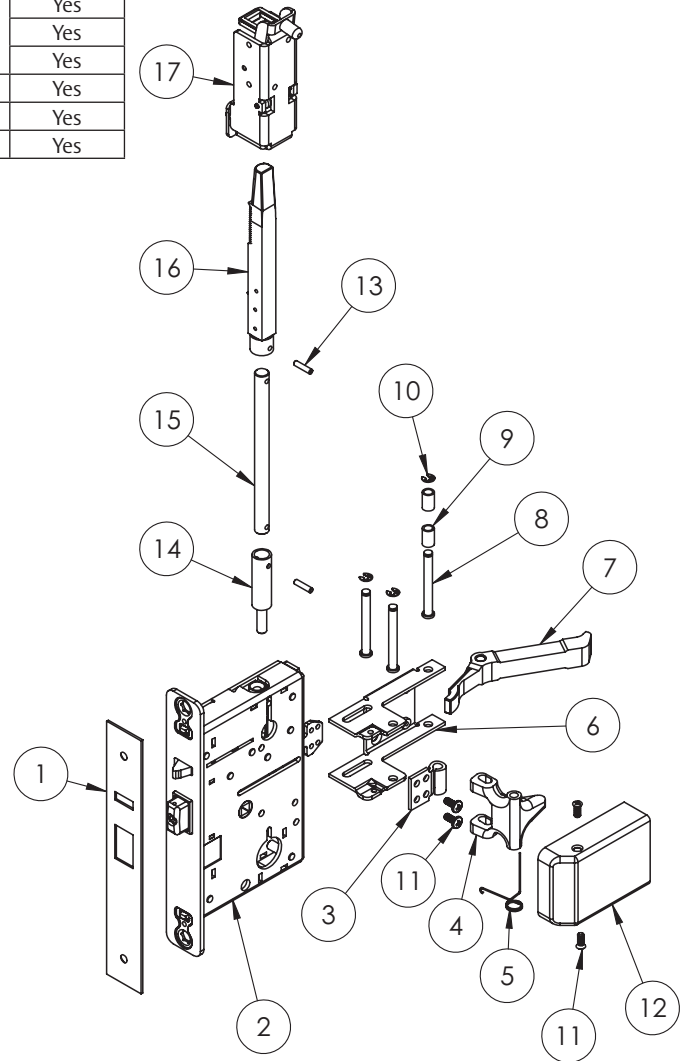
The warranty on SARGENT® products becomes void if the product is modified in any way, regardless of whether the modification causes or contributes to any alleged defect. If a SARGENT product is modified it may no longer meet industry certification and quality control standards applicable to the original product and is no longer a genuine SARGENT product.

Copyright © 2017-2021, SARGENT Manufacturing Company. All rights reserved. Reproduction in whole or in part without the express written permission of SARGENT Manufacturing Company is prohibited.

| | | | | |
|-------|------|------|------|------|
| 12-LP | 8606 | 8610 | 8613 | 8615 |
| LP | 8640 | 8643 | 8646 | 8673 |
| 12-LS | 8674 | | | |
| LS | | | | |

| Item | Assy No. | Part No. | Description | Qty | Sellable |
|------|----------|----------|--|-----|----------|
| 1 | N/A | 68-1186 | Active Outside Front ¹ | 1 | Yes |
| 2 | 68-4239 | N/A | Active Mortise Case | 1 | Yes |
| 3 | 68-4264 | 68-1327 | Link Connect (Pull Lever) | 1 | Yes |
| 4 | | 68-1309 | Pull Lever Low Profile | 1 | Yes |
| 5 | | 68-1332 | Torsion Spring (Pull Lever) | 1 | Yes |
| 6 | | 68-1313 | Pivot Pin | 3 | Yes |
| 7 | | 68-0241 | Lift Arm | 1 | Yes |
| 8 | | 68-1310 | Pivot Bracket | 1 | Yes |
| 9 | | 01-4509 | Retaining Ring | 3 | Yes |
| 10 | | 68-1311 | Lift Arm Spacer | 2 | Yes |
| 11 | N/A | 68-4373 | Screw Pack (LP) | 1 | Yes |
| 12 | | 68-1317 | Chassis Cover (LP)* | 1 | Yes |
| 13 | 692L | 01-0696 | Coiled Pin | 2 | Yes |
| 14 | | 68-1339 | Connecting Tube | 1 | Yes |
| 15 | | 661L | Top Rod (LP) | 1 | Yes |
| 16 | | 68-4840 | Latch Bolt Assembly | 1 | Yes |
| 17 | 68-5374 | N/A | Top Case Assembly STD | 1 | Yes |
| | 68-5375 | | Top Case Assembly 1/4" Panel | | Yes |
| | 68-5376 | | Top Case Assembly 1/2" Panel | | Yes |
| N/A | 68-4389 | | Screw Pack | 1 | Yes |
| | 650 | | Strike Pack | 1 | Yes |
| | 77-0883 | | A.S.A. Strike (Curved Lip)* ² | 1 | Yes |

*Specify Finish
1. Only available in 32D finish
2. LS function only



A8231L 04/21

The warranty on SARGENT® products becomes void if the product is modified in any way, regardless of whether the modification causes or contributes to any alleged defect. If a SARGENT product is modified it may no longer meet industry certification and quality control standards applicable to the original product and is no longer a genuine SARGENT product.

| | | | | |
|-------|------|------|------|------|
| 12-LR | 8606 | 8610 | 8613 | 8615 |
| LR | 8640 | 8643 | 8646 | 8673 |
| | 8674 | | | |

| Item | Assy No. | Part No. | Description | Qty | Sellable | |
|------|----------|----------|-------------------------------------|---------------------|----------|-----|
| 1 | N/A | 68-1183 | Inactive Outside Front ¹ | 1 | Yes | |
| 2 | 68-4238 | N/A | Inactive Mortise Case | 1 | Yes | |
| 3 | 68-4264 | 68-1327 | Link Connect (Pull Lever) | 1 | Yes | |
| 4 | | 68-1309 | Pull Lever Low Profile | 1 | Yes | |
| 5 | | 68-1332 | Torsion Spring (Pull Lever) | 1 | Yes | |
| 6 | | 68-1313 | Pivot Pin | 3 | Yes | |
| 7 | | 68-0241 | Lift Arm | 1 | Yes | |
| 8 | | 68-1310 | Pivot Bracket | 1 | Yes | |
| 9 | | 01-4509 | Retaining Ring | 3 | Yes | |
| 10 | | 68-1311 | Lift Arm Spacer | 2 | Yes | |
| 11 | | N/A | 68-1317 | Chassis Cover (LP)* | 1 | Yes |
| 12 | | N/A | 68-4373 | Screw Pack (LP) | 1 | Yes |
| 13 | 692L | 01-0696 | Coiled Pin | 2 | Yes | |
| 14 | | 68-1339 | Connecting Tube | 1 | Yes | |
| 15 | | 661L | Top Rod (LP) | 1 | Yes | |
| 16 | | 68-4840 | Latch Bolt Assembly | 1 | Yes | |
| 17 | 68-5374 | N/A | Top Case Assembly STD | 1 | Yes | |
| | 68-5375 | | Top Case Assembly 1/4" Panel | | Yes | |
| | 68-5376 | | Top Case Assembly 1/2" Panel | | Yes | |
| | N/A | 68-4389 | Screw Pack | 1 | Yes | |
| | N/A | 650 | Strike Pack | 1 | Yes | |

*Specify Finish
1. Only available in 32D finish

