

MODEL 345

**Application**

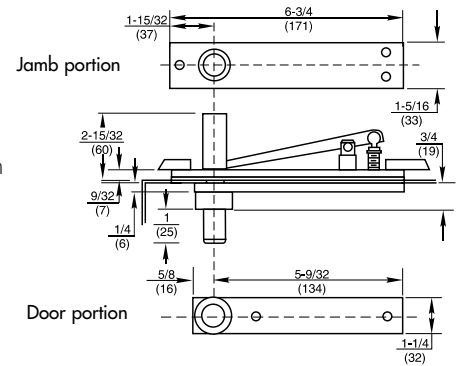
- Fully Concealed
- Center Hung
- Non-handed
- Earthquake Tolerant
- Taller Doors



**Product Description & Features**

- Optional top pivot
- Ideal for locations where there is a fear of dramatic building settling or for doors over 8'6" in height
- Long pivot pin engages in top of door 1-3/4" (44mm)
- Can be used with any center hung bottom pivot or floor closer. Order pivot set or floor closer LTP (less top pivot) with 345 on separate line item
- Walking beam-type pivot – 1/2" (13mm) diameter pivot pin
- Oil-impregnated sintered bronze bushing
- Completely concealed when door is closed
- Furnished with wood and machine screws

**Technical Information**



MODEL H345

**Application**

- Fully Concealed
- Center Hung
- Non-handed
- Earthquake Tolerant
- Taller Doors



**Product Description & Features**

- Ideal for locations where there is a fear of dramatic building settling or for doors over 8'6" in height
- Long pivot pin engages in top of door 1-3/4" (44mm)
- Can be used with any center hung bottom pivot or floor closer whose pivot point is 2-3/4" or greater, from the edge of the door. Order pivot set or floor closer LTP (less top pivot) with H345 on separate line item
- Walking beam-type pivot – 1 1/16" (17mm) diameter pivot pin
- Heavy-duty needle bearing
- Completely concealed when door is closed
- Furnished with wood and machine screws

**Technical Information**

