

Notes:

1. Do not scale drawing.
2. Dimensions are given in inches (mm).
3. Pivot drilled for 1/4-20 x 5/8" FHMS or #14 x 1-1/2" FHWS.
4. Right hand shown.
5. Template drawing for reference only.

180, H180, F180
Top Pivot
3/4" Offset Non Handed

RIXSON®
ASSA ABLOY

www.rixson.com

TEMPLATE NUMBER

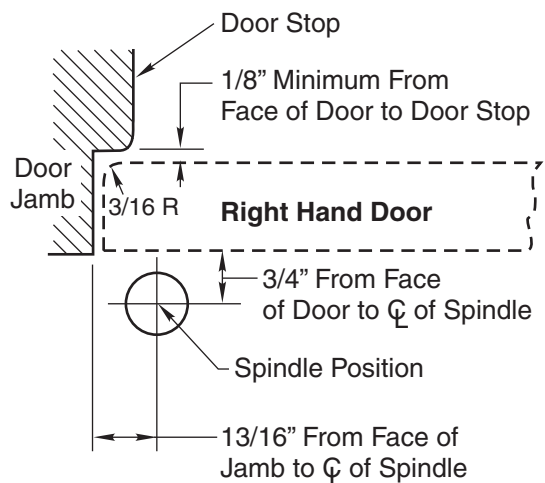
IS-180/H180/F180

DATE

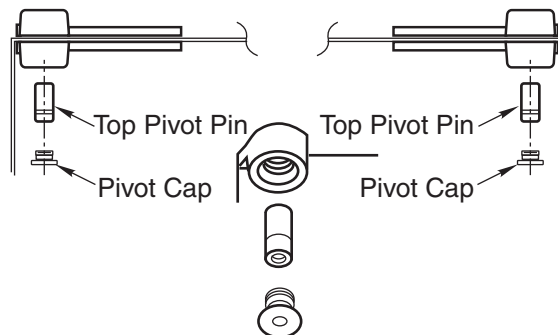
07-09

180/H180/F180 Top Pivot

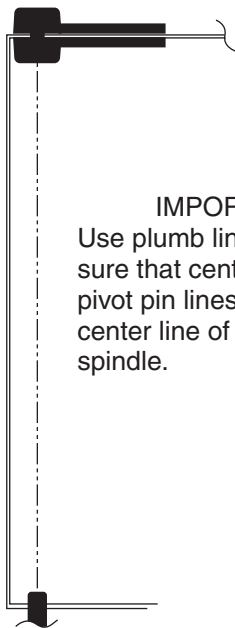
Location



Attachment

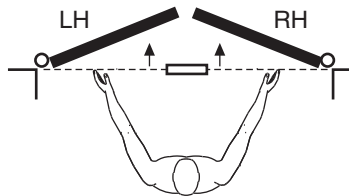


1. Attach door leaf of top pivot to door.
2. Attach jamb leaf of top pivot to frame.
3. If side jamb pivot is used, see required template for instructions.
4. Push top pivot pin into place.
5. Attach pivot cap. CAP MUST BE TIGHTENED SECURELY.



IMPORTANT:
 Use plumb line to make sure that center line of top pivot pin lines up with center line of closer/pivot spindle.

How To Determine Hand of Door



Face a door swinging open away from you. If it opens to the right, it is right hand. If it opens to the left, it is left hand.

**180, H180, F180
 Top Pivot
 3/4" Offset Non Handed**

RIXSON®
ASSA ABLOY

www.rixson.com

TEMPLATE NUMBER

IS-180/H180/F180

DATE

07-09