

MODEL 180

Application

- Full Mortise
- Non-handed

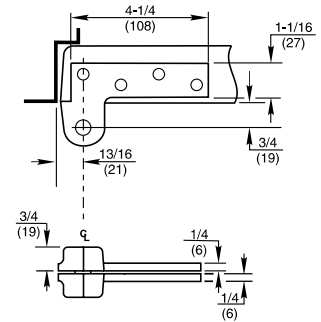


Product Description & Features

- Standard top pivot for most offset pivot sets and floor closers
- Oil-impregnated sintered bronze bushing
- Non-ferrous base material
- Available for fire door assemblies (ferrous material) – specify F180 or FH180
- For 20-minute label suffix “-20” to the part number
- 3/4" (19mm) offset (measured from centerline of pivot to face of door)
- Available for 1-1/2" (38mm) offset
- Furnished with wood and machine screws
- Available with longer than standard pivot pins. Increments are 1/4" (6mm), 1/2" (13mm), 3/4" (19mm) only
- For extra wide or high traffic prefix "H" – H pivots have heavy-duty needle bearings; available in 1-1/2" (38mm) offset

Technical Information

Frame stop required



MODEL 180 X 102

Application

- Full Mortise
- Handed



Product Description & Features

- Special top pivot for doors in deep reveals or unusual door details where one leaf is too long for the normal door or frame portion
- Oil-impregnated sintered bronze bushings
- Non-ferrous base metal
- Available for 1-1/2" (38mm) offset
- May be inverted
- Furnished with wood and machine screws
- Available with longer than standard pivot pins. Increments are 1/4" (6mm), 1/2" (13mm), 3/4" (19mm) only

Technical Information

Frame stop required

