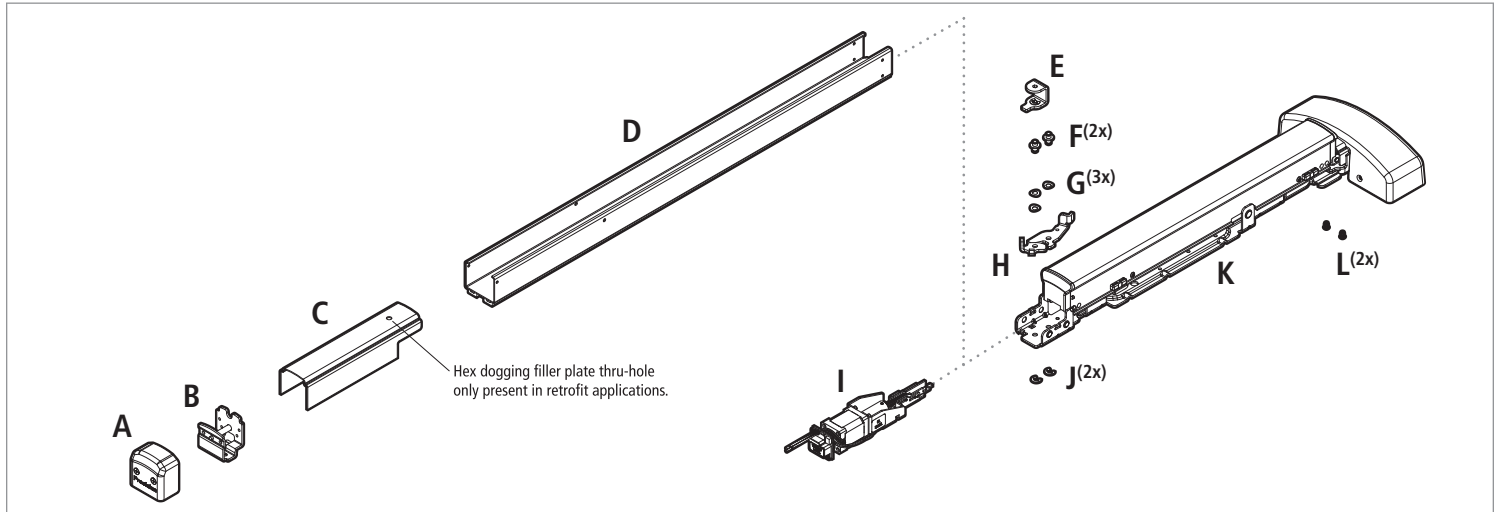
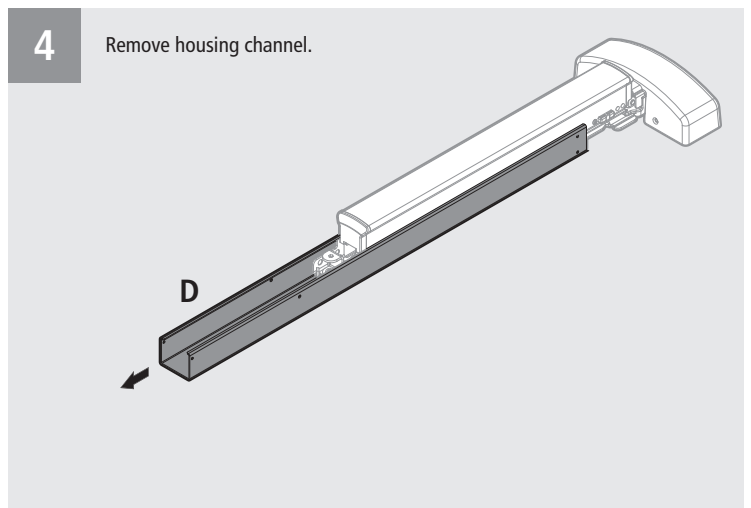
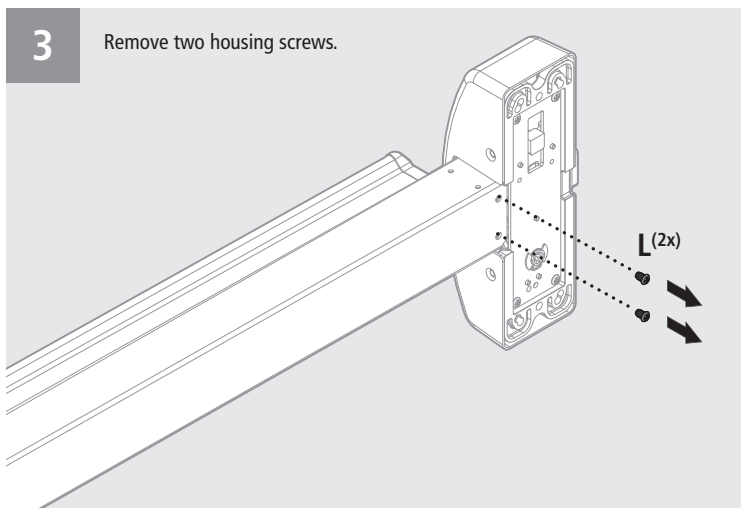
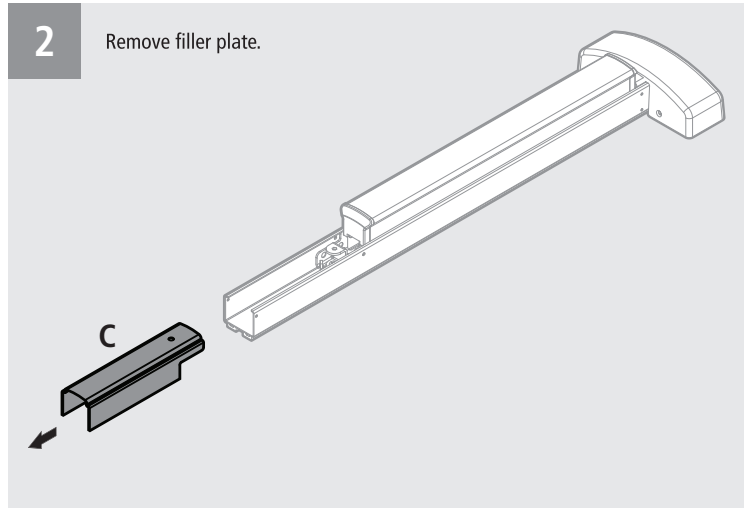
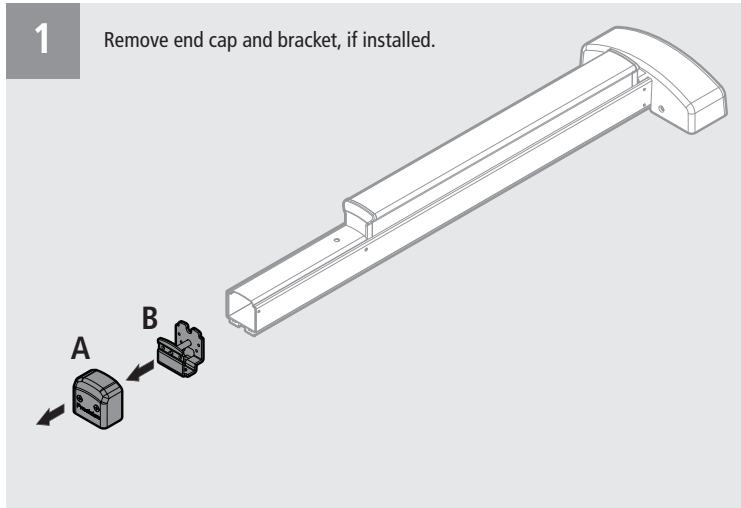


Motorized Latch Release Installation Instructions

Tools Needed

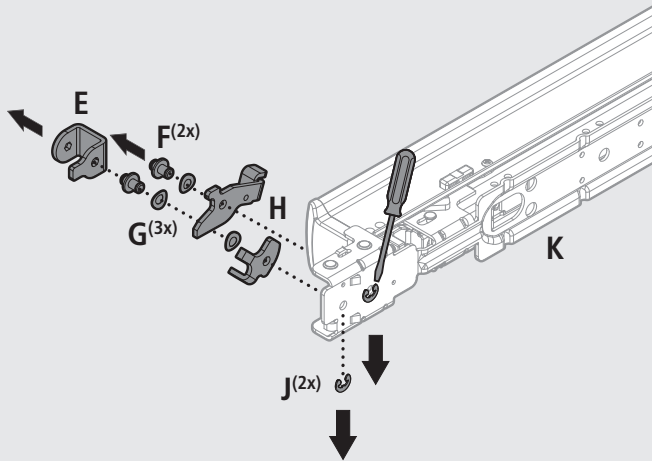


A	End Cap	D	Housing Channel	G ^(3x)	Spring Washer	J ^(2x)	E-Clip
B	Bracket	E	Dogging Bracket	H	Dogging Lever	K	Exit Device Assembly
C	Filler Plate	F ^(2x)	Mounting Studs	I	Motorized Latch Release	L ^(2x)	Screws



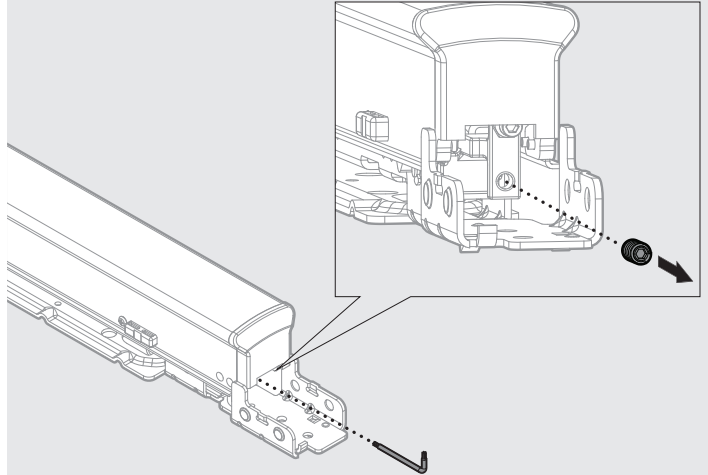
5

Remove attaching E-Clips from dogging assembly on the back of the device. Remove dogging assembly parts.



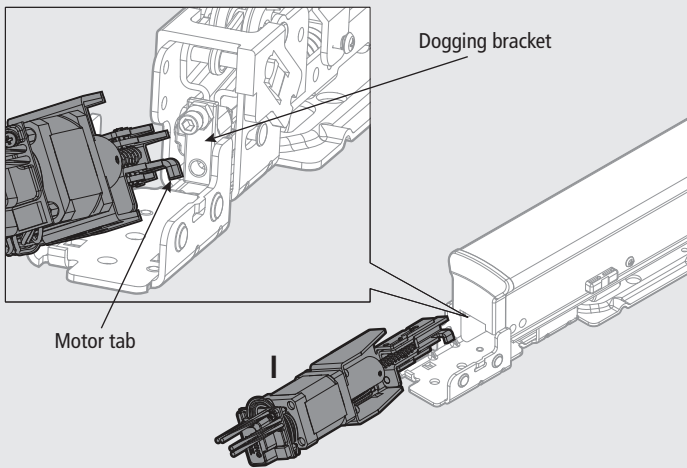
6

Remove allen screw from the dogging bracket using an 1/8" allen wrench.



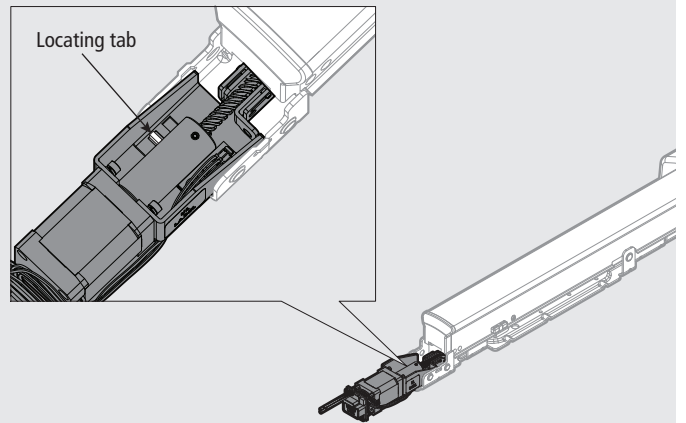
7

Rotate motor assembly and slide it into the end of the device at an angle to avoid the dogging bracket.



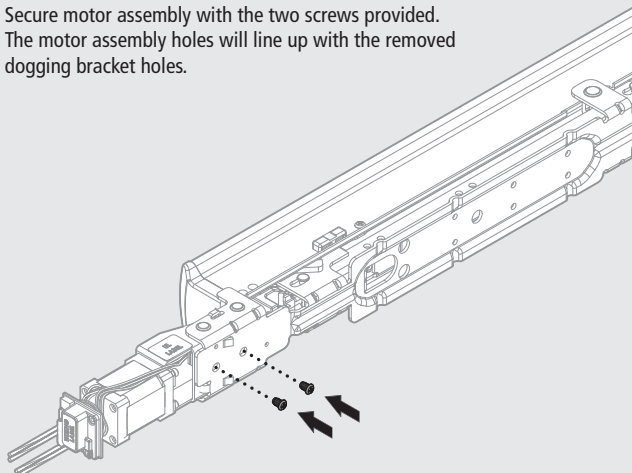
8

Once device is past dogging bracket, straighten motor and engage locating tab. The motor assembly will fit into the baserail's existing grooves and extrusions.



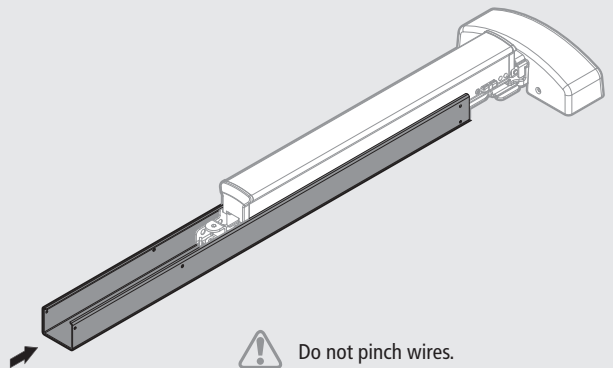
9

Secure motor assembly with the two screws provided. The motor assembly holes will line up with the removed dogging bracket holes.

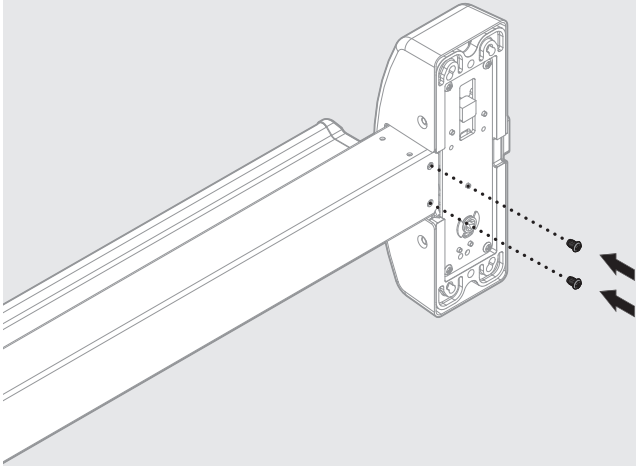


10

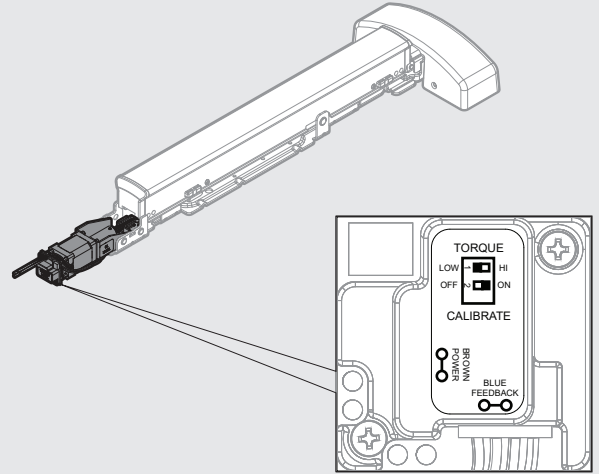
Slide housing channel back onto the device.



11 Re-install the two screws connecting the housing to the device.

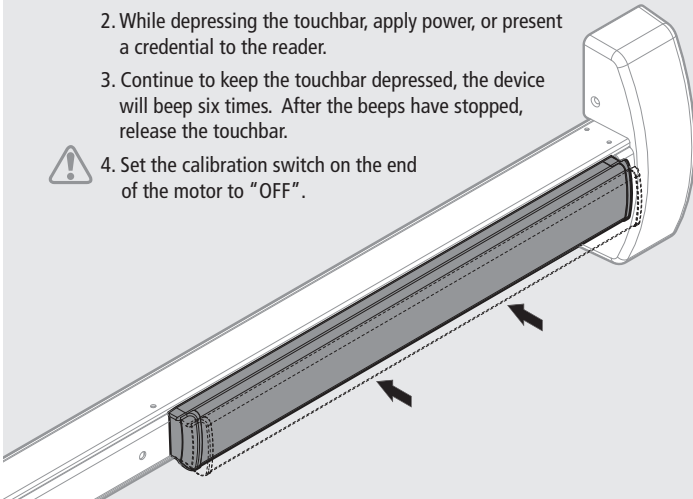


12 Test to make sure motor works and complete the calibration sequence. Set the calibration switch on the end of the motor to "ON".

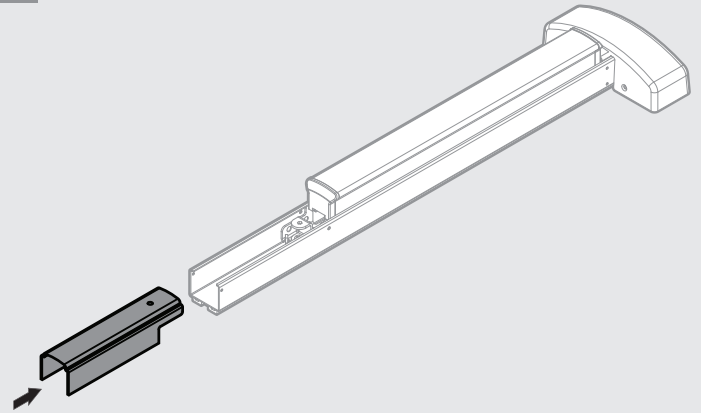


13 Place the device on its side and follow these steps:

1. Press the touchbar to the desired setting - this can be fully or partially depressed.
2. While depressing the touchbar, apply power, or present a credential to the reader.
3. Continue to keep the touchbar depressed, the device will beep six times. After the beeps have stopped, release the touchbar.
4. Set the calibration switch on the end of the motor to "OFF".



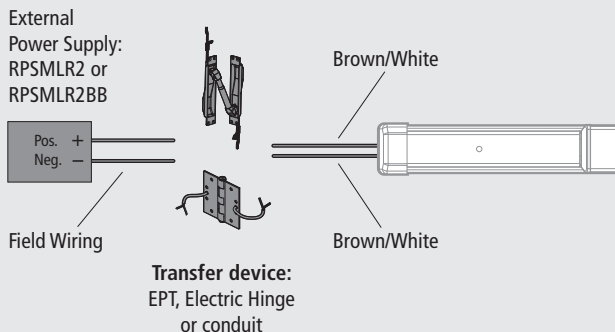
14 Slide the filler plate back onto the device.



15 For non-quick connect installation, follow steps 15 & 16.

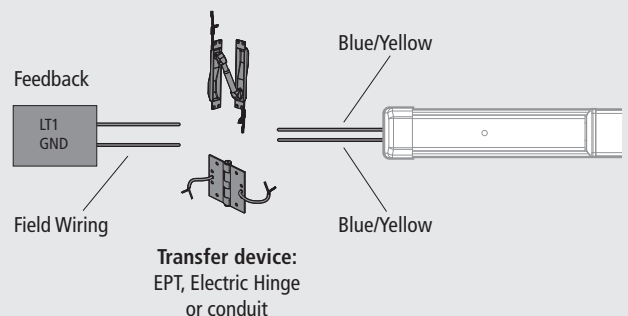
Power connections for MLR:

Power supply should be 24VDC, regulated and filtered Precision Hardware RPSMLR2 or RPSMLR2BB. The wire run should be as short as possible and free from major electrical noise sources.

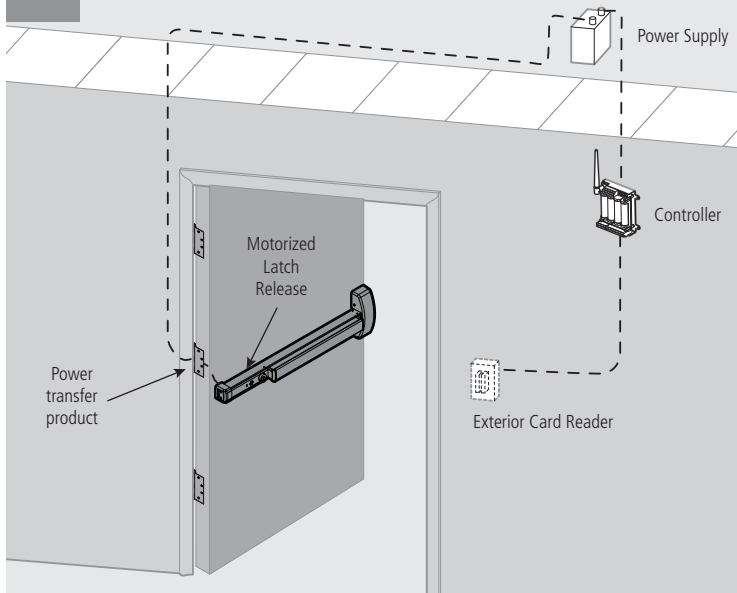


16 Latch bolt feedback for MLR:

Plug in the optional blue/yellow wires into RPSMLR2 or RPSMLR2BB. The wire run should be as short as possible and free from major electrical noise sources.



17 Electrified Exit Device - Example Installation



18 Specifications, Troubleshooting, and Diagnostics

Input voltage: 24VDC +/- 10%
 Average Latch Retraction Current: 1 Amp
 Average Holding Current: 180 mA
 Wire Gauge: Minimum 20 gauge

No. of Beeps	Explanation	Solution
2 Beeps	Over Voltage	Check voltage and adjust to 24V.
3 Beeps	Under Voltage	Check voltage and adjust to 24V.
4 Beeps	Failed Sensor	Call service.
5 Beeps	Forced Release	Device will automatically re-engage within 5 sec.
6 Beeps	Touchbar is depressed. Device is readjusting	Check to make sure the touchbar is not stuck or catching on anything. Turn off calibration switch.
7 Beeps	Over travel or mechanical obstruction	If mechanical obstruction, remove it and push in touchbar until beeping stops to reset. If no obstruction, the touchbar may have been pushed in too far during calibration. Recalibrate with the touchbar slightly out. If problem persists, verify the magnet is within 1/4" of the sensor at end of travel.

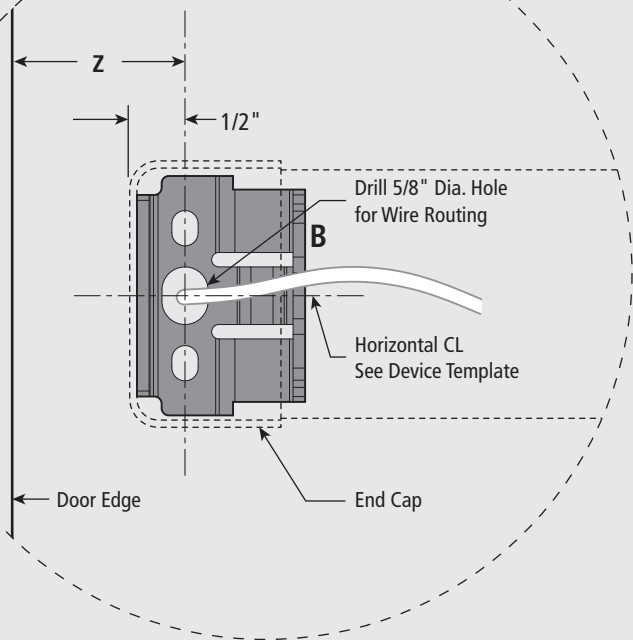


Wiring Details:

'Z' Dimension for Standard 3' or 4' Doors:

- Wide stile device with 2-3/4" backset: **Z = 2-1/4"**
- Narrow stile device on aluminum door/frame with 1-1/16" backset: **Z = 1-1/16"**
- Narrow stile device on hollow metal door/frame with channel cut to 1-1/8" recommended clearance: **Z = 2-1/8"**

For installation with mullion and other backset requirements, add or subtract from dimension shown.



For assistance or warranty information:
 Call 1-800-392-5209 or visit
<https://dhwsupport.dormakaba.com/hc/en-us>

Si desea ayuda o información sobre la garantía:
 llame al 1-800-392-5209 o visite
<https://dhwsupport.dormakaba.com/hc/en-us>

Pour de l'aide ou des informations sur la garantie:
 Veuillez appeler le 1-800-392-5209 ou visiter
<https://dhwsupport.dormakaba.com/hc/en-us>

Warning: This Manufacturer advises that no lock can provide complete security by itself. This lock may be defeated by forcible or technical means, or evaded by entry elsewhere on the property. No lock can substitute for caution, awareness of your environment, and common sense. Builder's hardware is available in multiple performance grades to suit the application. In order to enhance security and reduce risk, you should consult a qualified locksmith or other security professional.

Advertencia: Este fabricante debe saber que no hay cerraduras que puedan proporcionar seguridad completa por sí misma. Esta cerradura puede fallar forzandola o utilizando medios técnicos o entrando por otra parte del edificio. No hay cerraduras que puedan sustituir precaución, estar al tanto de su entorno y sentido común. Este fabricante también ofrece cerraduras de diferentes grados y rendimientos para ajustarse a su aplicación. Para mejorar la seguridad y reducir riesgos, usted debe consultar con un cerrajero especializado u otro profesional de seguridad.

Advertissement: Le fabricant tient à vous aviser qu'aucun verrou ne peut à lui seul offrir une sécurité complète. Ce verrou peut être mis hors d'état par la force ou des moyens techniques ou être évité par l'utilisation d'une autre entrée sur la propriété. Aucun verrou ne peut remplacer la surveillance de votre environnement et le bon sens. La quincaillerie pour le constructeur est offerte selon différents grades de performance pour différentes applications. Afin d'augmenter la sécurité et de réduire le risque, vous devriez consulter un serrurier qualifié ou un autre professionnel de la sécurité.