

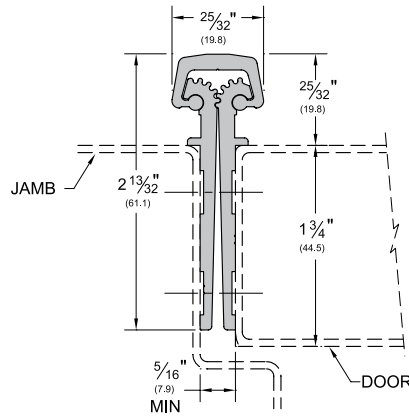
# FULL MORTISE HINGE

- Like our other Full Mortise units, the Kawneer Hinges are designed mainly for new door applications and are applied to the frame rabbet and door edge to conceal both leaves
- Developed for the Kawneer "Tuffline" series of aluminum doors

## Kawneer Full Mortise

K\_FM

STANDARD FINISHES: **BSP, C, D, SN, WSP, 10BE**



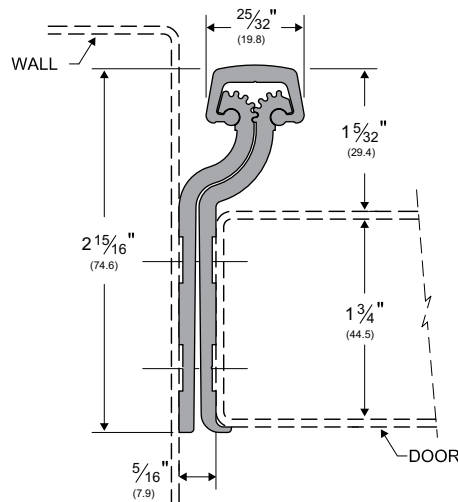
## Raised Gear Hinge

- Designed for wood or metal cased openings when hinge is to be installed deep on the rabbet. The design of the leaves allows for the hinge to pivot without interference from the cap.
- Certain door/frame conditions may require an extra 1/32" to 1/16" clearance. Excessive clearance on fire rated assemblies may violate the requirements of NFPA80

## Full Mortise Raised Gear

\_FM\_RG

STANDARD FINISHES: **BSP, C, D, SN, WSP, 10BE**



### AVAILABLE FINISHES FOR PRODUCTS SHOWN ON THIS PAGE

**10BE** (Satin Bronze Powder Coated Aluminum) **BSP** (Black Suede Powder Coated Aluminum) **C** (Clear Anodized)  
**D** (Dark Bronze Anodized) **SN** (Satin Nickel Powder Coated Aluminum) **WSP** (White Suede Powder Coated Aluminum)

800-824-3018 | [www.pemko.com](http://www.pemko.com)

Check the web site for the up-to-date catalog

Copyright © 2015-2023, ASSA ABLOY Accessories and Door Controls Group, Inc., an ASSA ABLOY Group company. All rights reserved. Reproduction in whole or in part without the express written permission of ASSA ABLOY Accessories and Door Controls Group, Inc. is prohibited.



Experience a safer and more open world