

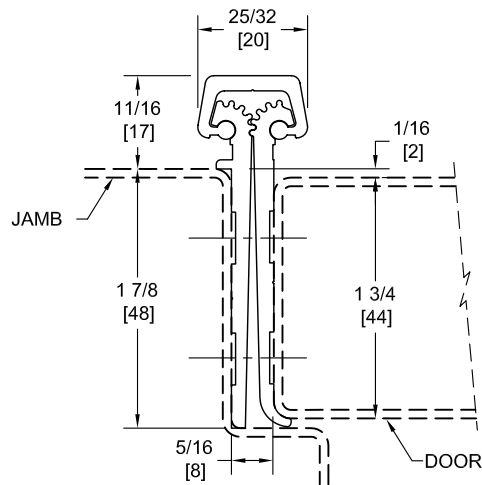
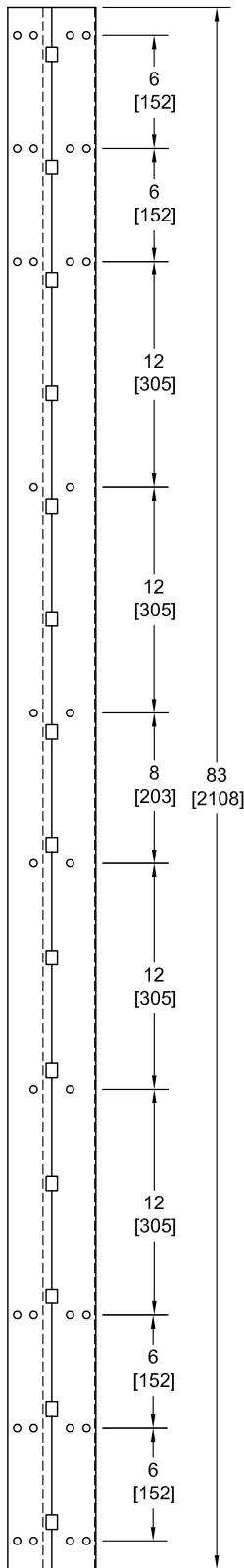
**FM83**

**TEMPLATE FULL MORTISE CONTINUOUS GEARED ALUMINUM HINGE**

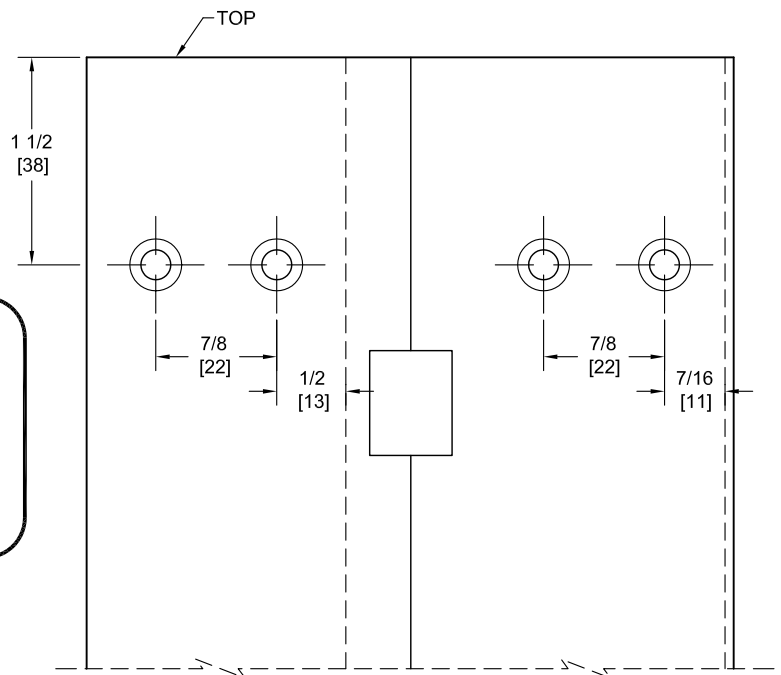
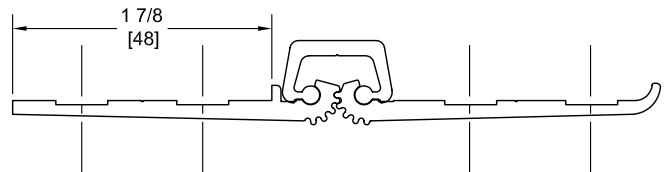


**Fire Rated**  
Classified & Listed to meet the requirements of Standards UL10B, UL10C, UBC7-2, Part I & BS476

**POSITIVE PRESSURE**



DO NOT SCALE



**\*\* CAUTION \*\***  
Due To Frame Installation Variations, Pre-drilling For Fasteners Is Not Recommended

PEMKO Template Full Mortise Continuous Geared Aluminum Hinges CFM83/DFM83 are made to conform to this drawing.

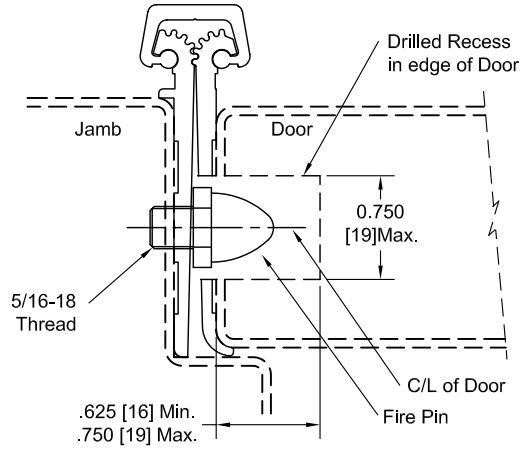
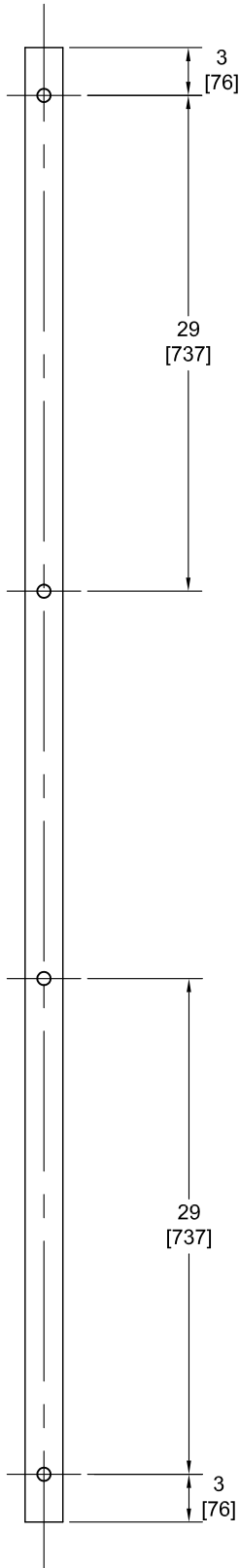
PEMKO CFM83/DFM83 hinges can be supplied with Electric Functions - See Electrical Application Section.

Machine Screw Size - No. 12-24 x 7/16 FHUC Thread-forming.

PEMKO Continuous Geared Aluminum Hinges are Listed for fire applications up to 90 minutes without special preparation; for 3 hour openings using hollow metal doors and hollow metal frames on Masonry/Drywall, Fire Pins (supplied separately) must be used. See back for locations.

Manufacturer reserves the right to make changes without formal notice. Contact Engineering for latest revision

Fire Pin Application



Concealed Circuit (CC) Application

SEE ELECTRICAL APPLICATION SECTION  
IN TECHNICAL MANUAL

Magnetic Monitor (MM) Application

SEE ELECTRICAL APPLICATION SECTION  
IN TECHNICAL MANUAL

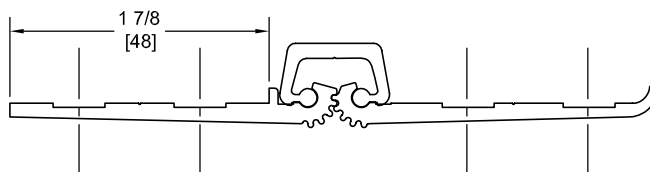
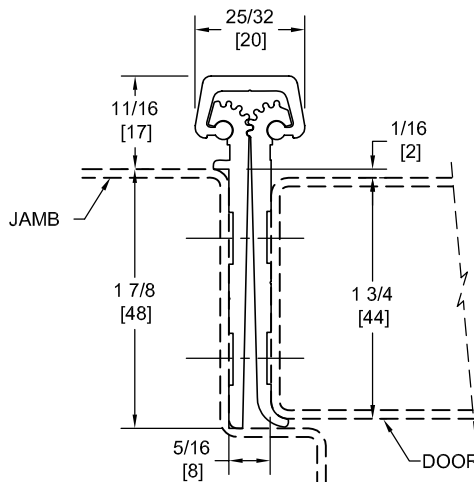
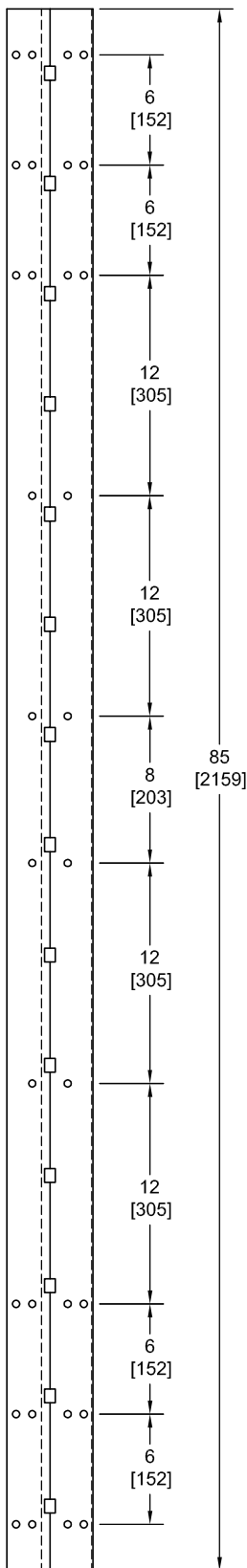
# FM85

## TEMPLATE FULL MORTISE CONTINUOUS GEARED ALUMINUM HINGE

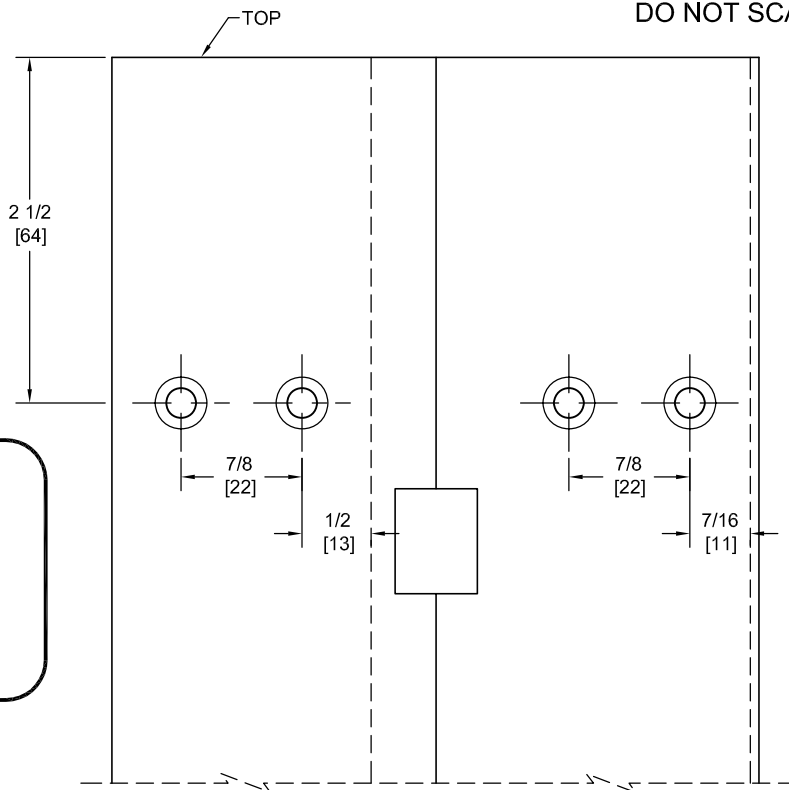


**Fire Rated**  
Classified & Listed to meet the requirements of Standards UL10B, UL10C, UBC7-2, Part I & BS476

**POSITIVE PRESSURE**



DO NOT SCALE



**\*\* CAUTION \*\***  
Due To Frame Installation Variations, Pre-drilling For Fasteners Is Not Recommended

PEMKO Template Full Mortise Continuous Geared Aluminum Hinges CFM85/DFM85 are made to conform to this drawing.

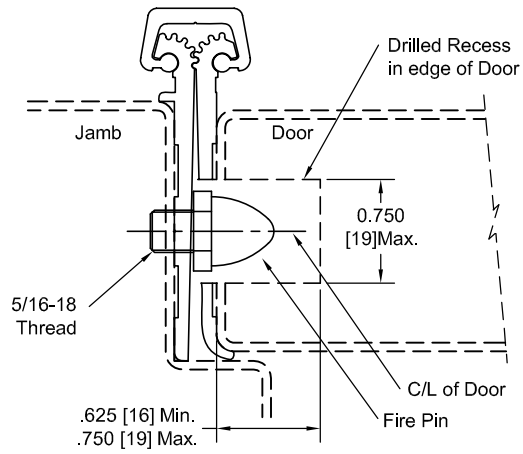
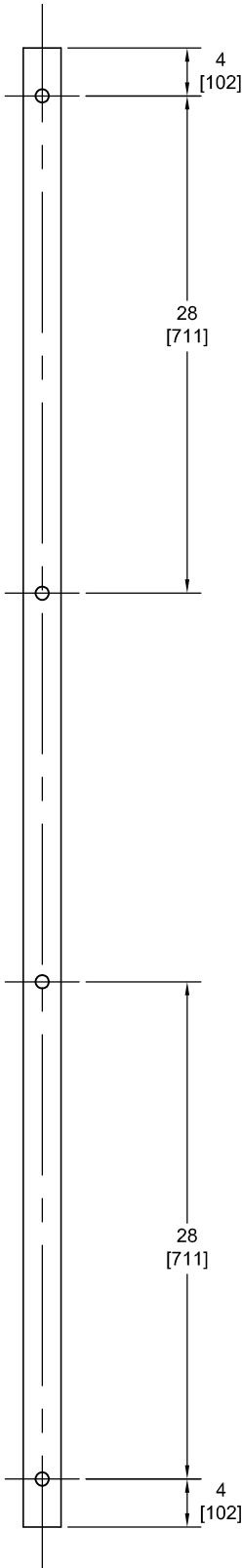
PEMKO CFM85/DFM85 hinges can be supplied with Electric Functions - See Electrical Application Section.

Machine Screw Size - No. 12-24 x 7/16 FHUC Thread-forming.

PEMKO Continuous Geared Aluminum Hinges are Listed for fire applications up to 90 minutes without special preparation; for 3 hour openings using hollow metal doors and hollow metal frames on Masonry/Drywall, Fire Pins (supplied separately) must be used. See back for locations.

Manufacturer reserves the right to make changes without formal notice. Contact Engineering for latest revision.

### Fire Pin Application



### Concealed Circuit (CC) Application

SEE ELECTRICAL APPLICATION SECTION  
IN TECHNICAL MANUAL

### Magnetic Monitor (MM) Application

SEE ELECTRICAL APPLICATION SECTION  
IN TECHNICAL MANUAL

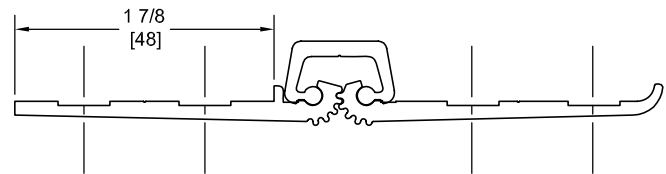
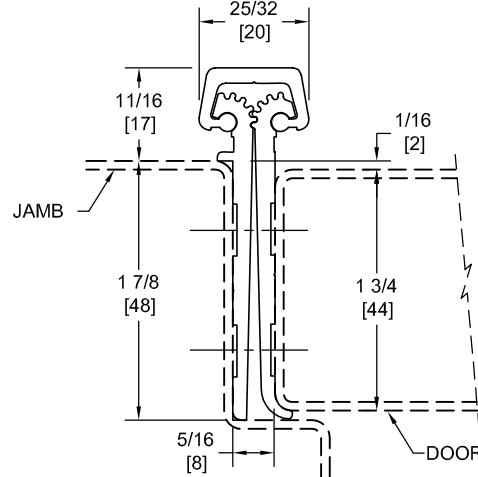
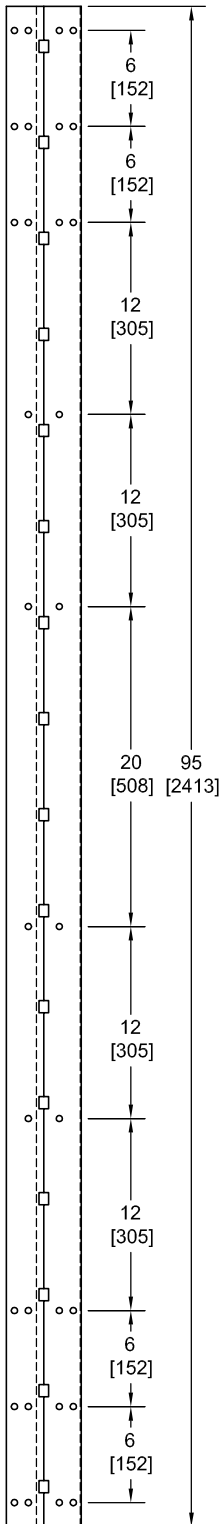
**FM95**

**TEMPLATE FULL MORTISE CONTINUOUS GEARED ALUMINUM HINGE**

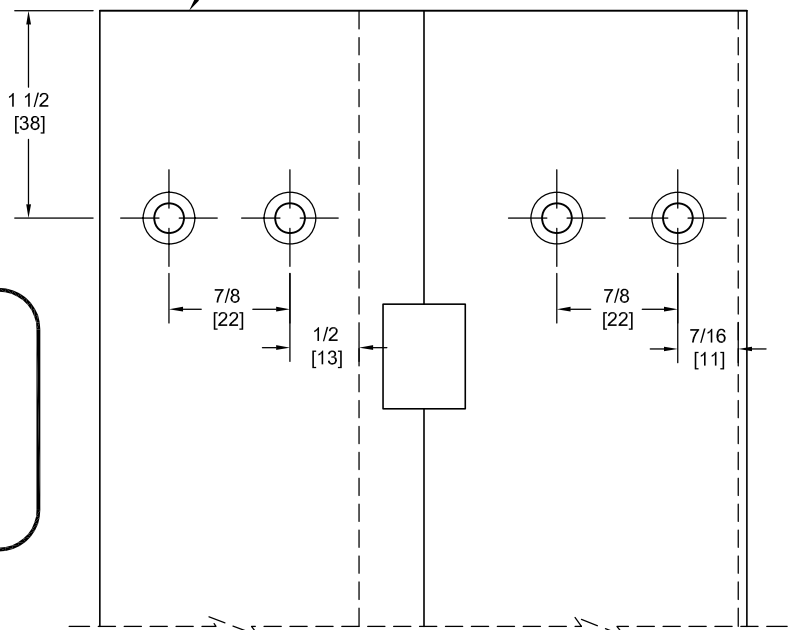


**Fire Rated**  
Classified & Listed to  
meet the requirements of  
Standards UL10B, UL10C,  
UBC7-2, Part I & BS476

**POSITIVE PRESSURE**



DO NOT SCALE



**\*\* CAUTION \*\***  
Due To Frame  
Installation  
Variations,  
Pre-drilling  
For Fasteners  
Is Not  
Recommended

PEMKO Template Full Mortise Continuous Geared Aluminum Hinges CFM95/DFM95 are made to conform to this drawing.

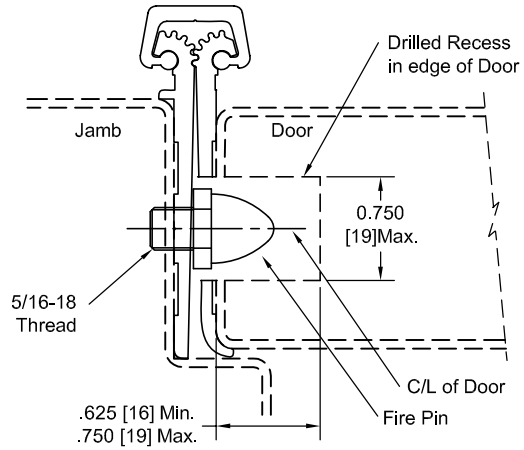
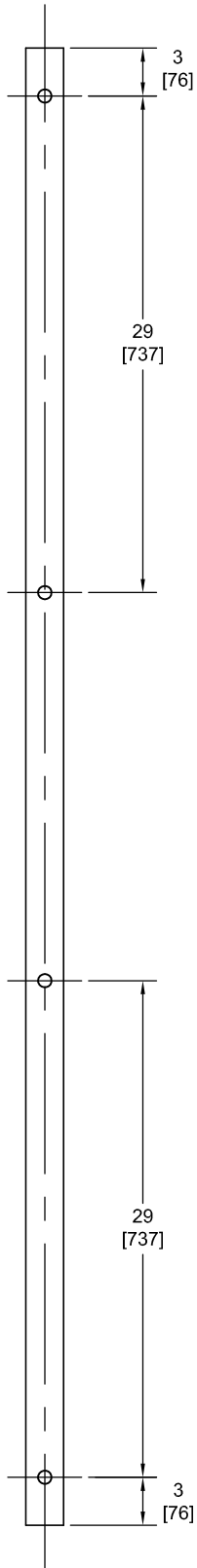
PEMKO CFM95/DFM95 hinges can be supplied with Electric Functions - See Electrical Application Section.

Machine Screw Size - No. 12-24 x 7/16 FHUC Thread-forming.

PEMKO Continuous Geared Aluminum Hinges are Listed for fire applications up to 90 minutes without special preparation; for 3 hour openings using hollow metal doors and hollow metal frames on Masonry/Drywall, Fire Pins (supplied separately) must be used. See back for locations.

Manufacturer reserves the right to make changes without formal notice. Contact Engineering for latest revision.

Fire Pin Application



Concealed Circuit (CC) Application

SEE ELECTRICAL APPLICATION SECTION  
IN TECHNICAL MANUAL

Magnetic Monitor (MM) Application

SEE ELECTRICAL APPLICATION SECTION  
IN TECHNICAL MANUAL

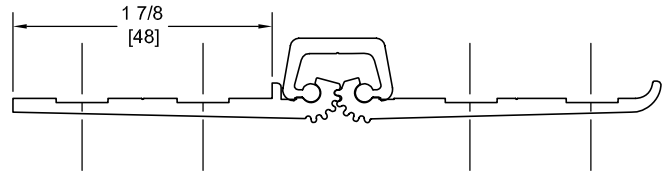
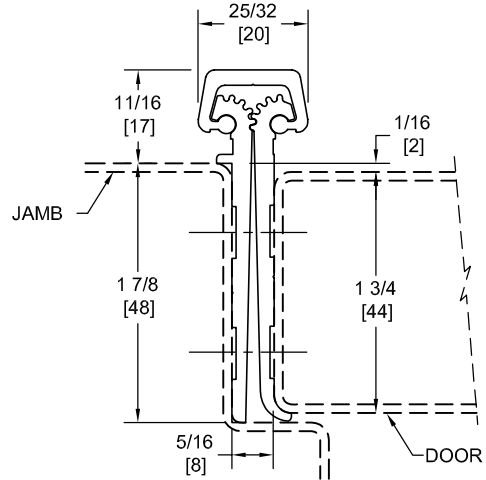
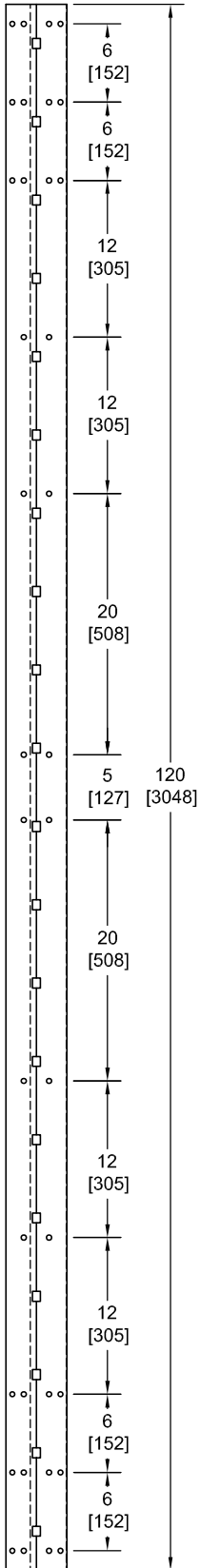
**FM120**

**TEMPLATE FULL MORTISE CONTINUOUS GEARED ALUMINUM HINGE**

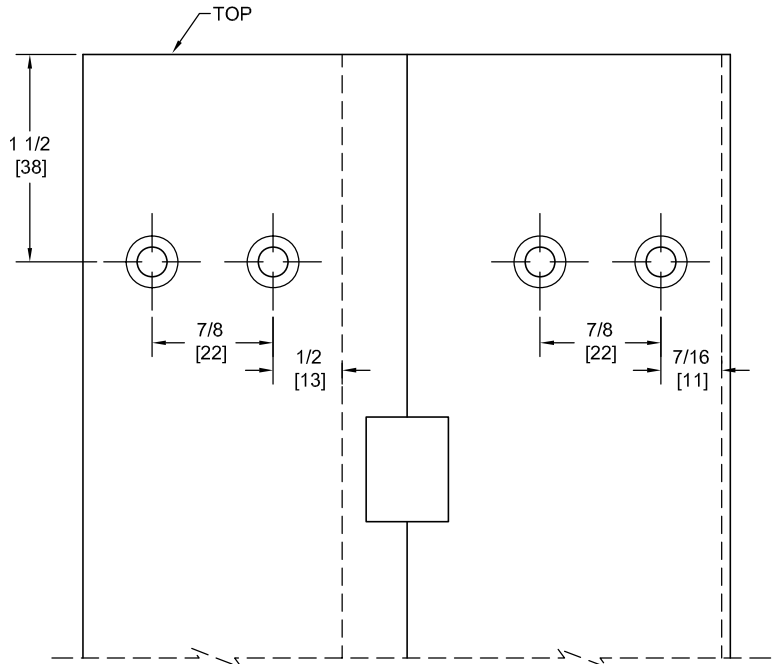


**Fire Rated**  
Classified & Listed to meet the requirements of Standards UL10B, UL10C, UBC7-2, Part I & BS476

**POSITIVE PRESSURE**



DO NOT SCALE



**\*\* CAUTION \*\***  
Due To Frame Installation Variations, Pre-drilling For Fasteners Is Not Recommended

PEMKO Template Full Mortise Continuous Geared Aluminum Hinges CFM120/DFM120 are made to conform to this drawing.

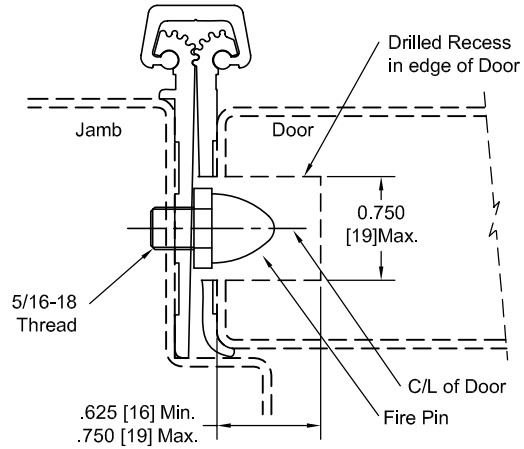
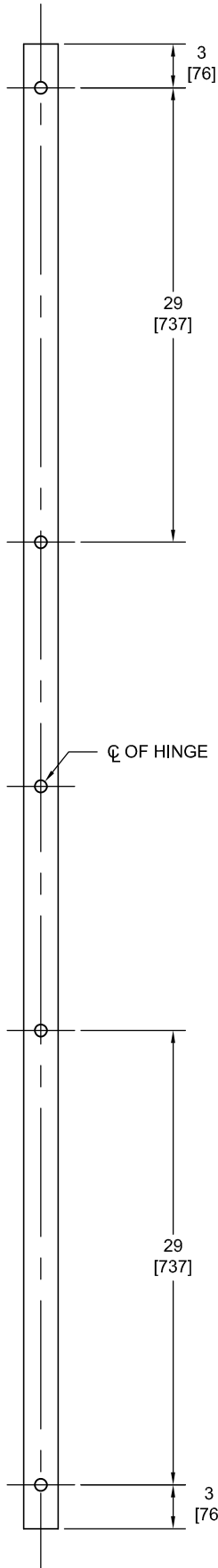
PEMKO CFM120/DFM120 hinges can be supplied with Electric Functions - See Electrical Application Section.

Machine Screw Size - No. 12-24 x 7/16 FHUC Thread-forming.

PEMKO Continuous Geared Aluminum Hinges are Listed for fire applications up to 90 minutes without special preparation; for 3 hour openings using hollow metal doors and hollow metal frames on Masonry/Drywall, Fire Pins (supplied separately) must be used. See back for locations.

Manufacturer reserves the right to make changes without formal notice. Contact Engineering for latest revision.

Fire Pin Application



Concealed Circuit (CC) Application

SEE ELECTRICAL APPLICATION SECTION  
IN TECHNICAL MANUAL

Magnetic Monitor (MM) Application

SEE ELECTRICAL APPLICATION SECTION  
IN TECHNICAL MANUAL