



ASSA ABLOY

BRUSH GASKETING: MEETING STILES

18061_NB (MS)

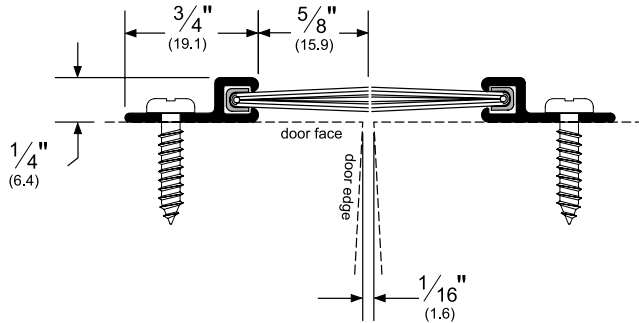


AVAILABLE FINISHES: C, D, G, SN

WIDTH: 3/4" (19.1 mm)

WIDTH INCLUDING BRUSH: 1-3/8" (35.0 mm)

PROFILE HEIGHT: 1/4" (6.4 mm)



- C (Clear Anodized Aluminum)
- D (Dark Bronze Anodized Aluminum)
- G (Gold Anodized Aluminum)
- SN (Satin Nickel Anodized Aluminum)

TITLE:
PREPARED FOR:
PREPARED BY:
DATE:
COMMENTS:

Copyright © 2008 Pemko Manufacturing Co. All rights reserved.
Reproduction in whole or in part without the express written permission of Pemko Manufacturing Co. is prohibited.