



ASSA ABLOY

Non Handed Door Closer

Installation Instructions

**Tri-Style
1600H Series**

Non Handed Door Closer

Hold Open Arm Models

Sized
(Sizes 3,4)

Adjustable
(Sizes 1 thru 6)

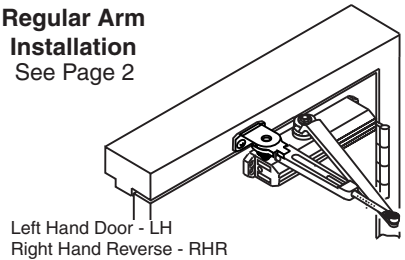


**1603BC-H
1604BC-H**

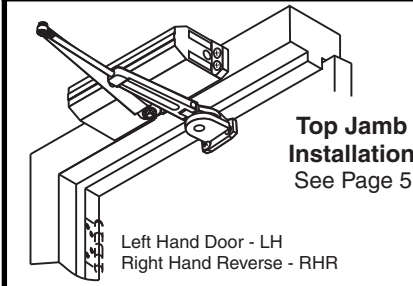
1601H



**Regular Arm
Installation**
See Page 2

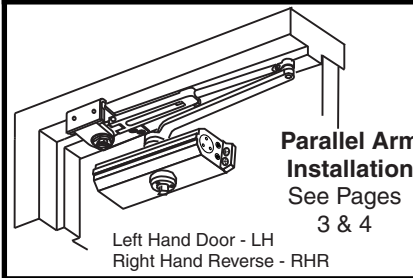


Left Hand Door - LH
Right Hand Reverse - RHR



**Top Jamb
Installation**
See Page 5

Left Hand Door - LH
Right Hand Reverse - RHR



**Parallel Arm
Installation**
See Pages
3 & 4

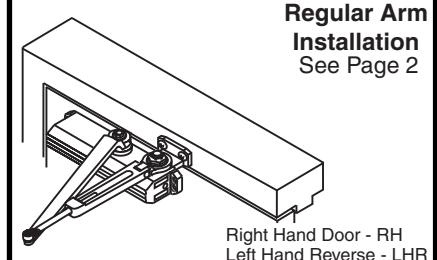
Left Hand Door - LH
Right Hand Reverse - RHR

CAUTION An Incorrectly installed or improperly adjusted door closer can cause property damage or personal injury. These installation instructions should be followed to avoid the possibility of misapplication or misadjustment.

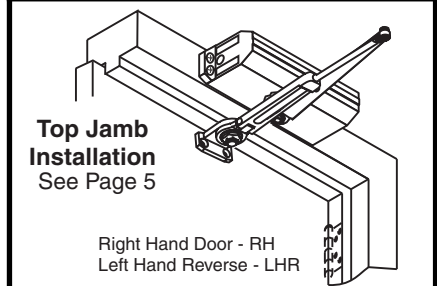
NOTE: For special applications a separate door and frame preparation template is packed with these instructions. Use this instruction sheet for installation sequence and closer adjustments only.

- Doors should be hung on ball bearing or anti-friction hinges.
- A separate door stop is recommended.
- Door and frame must be properly reinforced.
- Adjust closing time speed between 3 and 7 seconds from 90° to 0°.
- These door closers should NOT be installed on the exposed side (weather side) of exterior doors.

**Regular Arm
Installation**
See Page 2

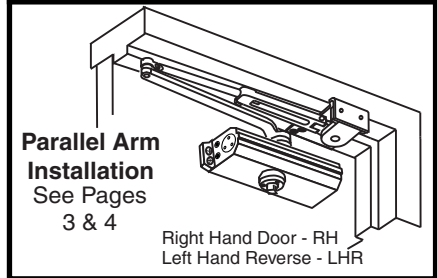


Right Hand Door - RH
Left Hand Reverse - LHR



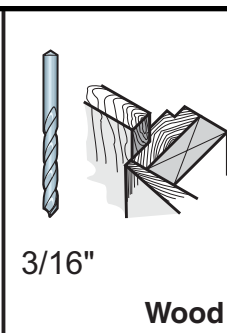
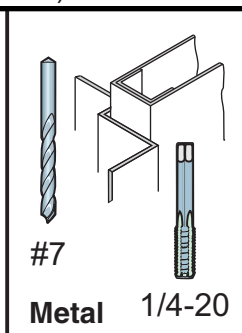
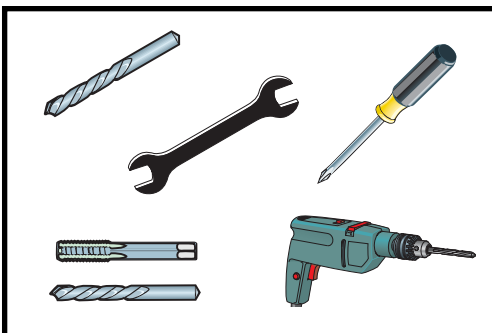
**Top Jamb
Installation**
See Page 5

Right Hand Door - RH
Left Hand Reverse - LHR



**Parallel Arm
Installation**
See Pages
3 & 4

Right Hand Door - RH
Left Hand Reverse - LHR

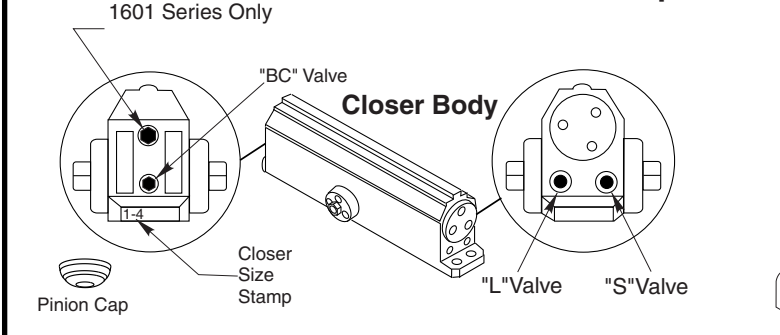


**Self Drilling Screws
Wood and Metal**
For Wood drill 3/16 hole

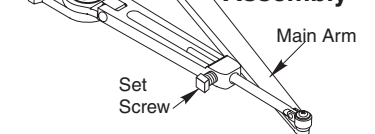
Machine Screws
#7 Drill, 1/4-20 Tap

(Optional)
Sleeve Nut and Bolt
Drill 9/32 thru from Closer Side
3/8 Drill other side
Thru Bolt and Grommet Nut
Drill 9/32 thru from Closer Side
3/8 Drill other Side

Standard Components



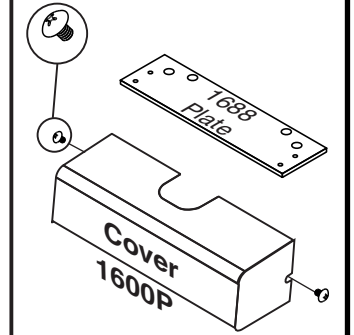
Arm Assembly



Soffit Adapter Plate



Optional Components

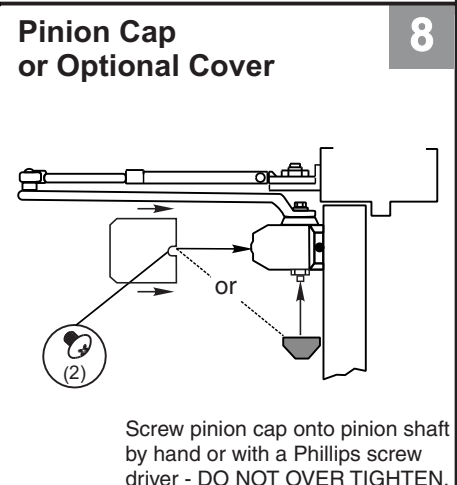
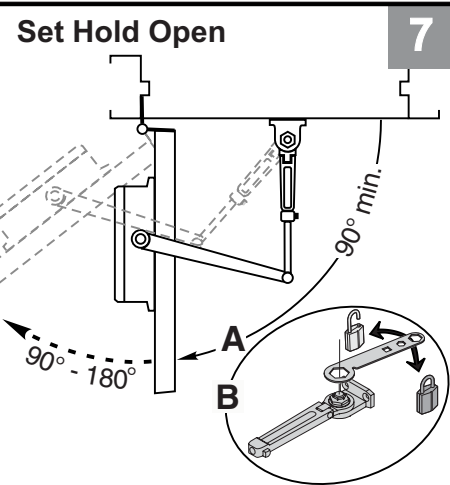
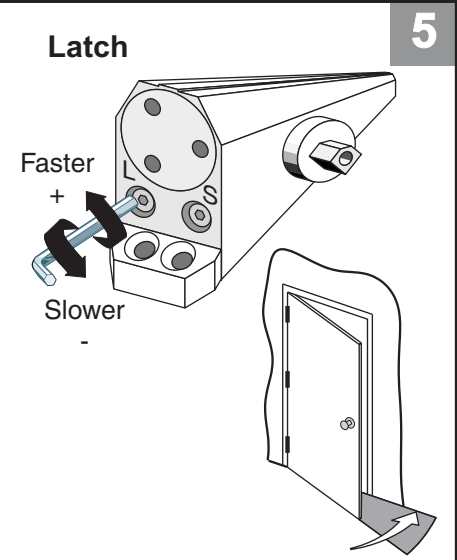
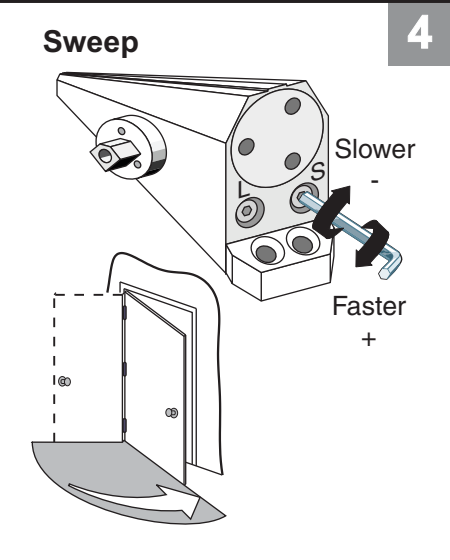
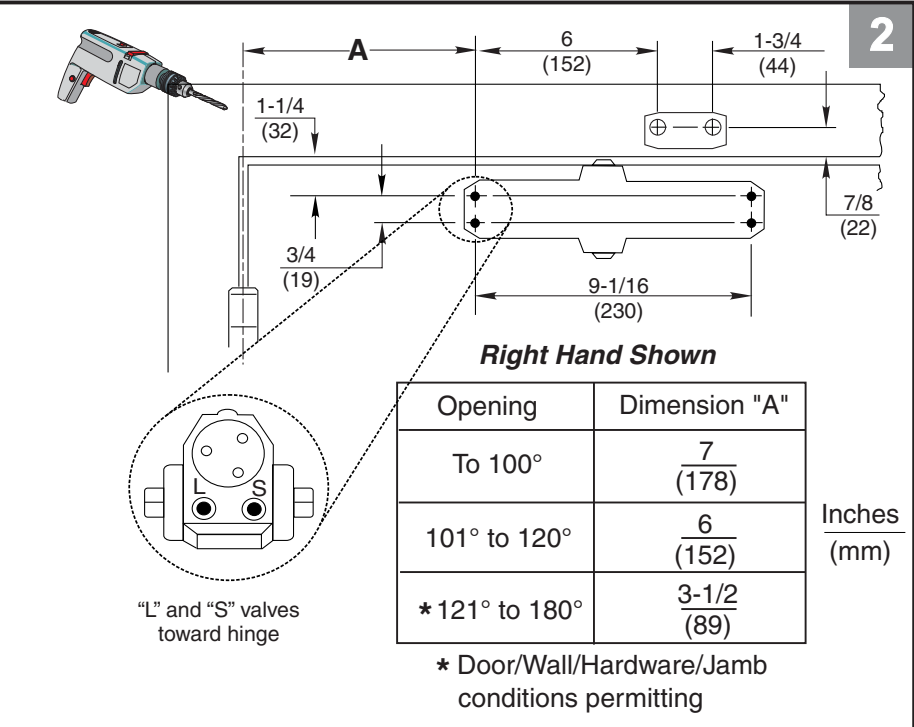
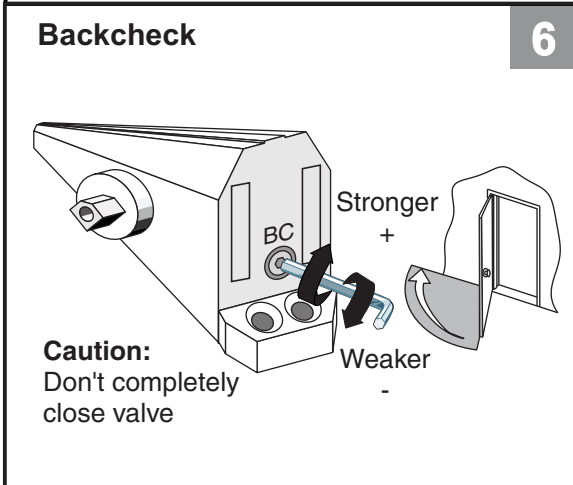
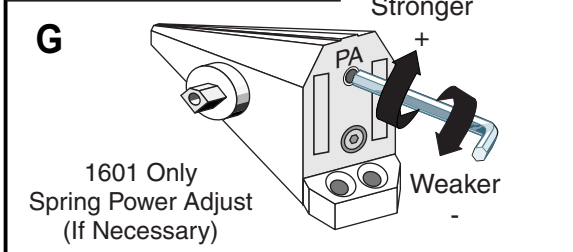
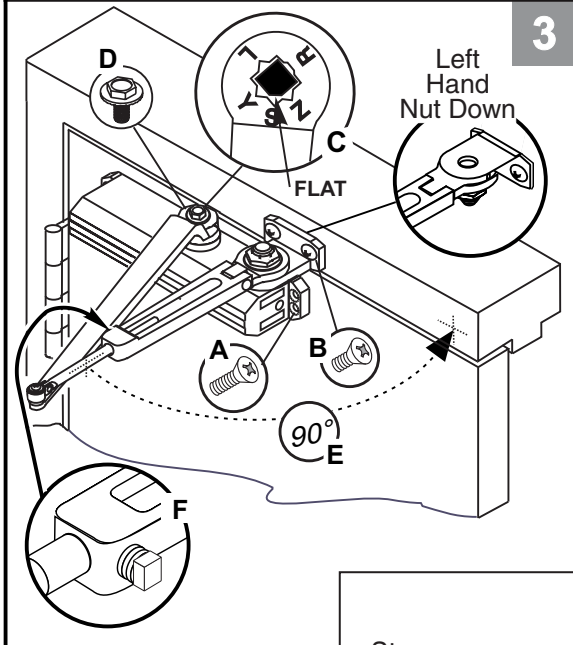
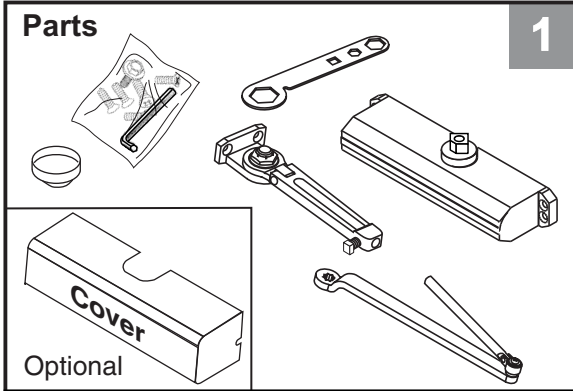


1600H Series

Hold Open Arm Door Closers — Regular Arm



ASSA ABLOY



1600H Series

Hold Open Arm Door Closers — Parallel Arm



ASSA ABLOY

Parts

Cover
Optional

1688 Plate
Optional

2

Right Hand Shown

Inches (mm)

2-3/4 (70) 3/8 (10) A

2 (50)

7/16 (11) 1/2 (13)

7 (178) 4 (102) 1-1/2 (38) C

Top of Door

2-1/8 (54)

1/2 (13)

Frame 3-1/4 (83)

Holes for 1688 Plate only

9-1/16 (230) 3/4 (19)

Door Opening	A	B	C
To 100°	9-1/4 (235)	7-5/8 (194)	8-5/8 (219)
101° to 130°	7-3/4 (197)	6-1/8 (156)	7-1/8 (181)
* 131° to 180°	5-3/4 (146)	4-1/8 (105)	5-1/8 (130)

* Door/Wall/Hardware/Jamb conditions permitting

3

Close Valves

Sweep

Slower

Latch

Slower

"L" and "S" valves away from hinge

4

Left Hand

Down

Right Hand

Up

5

Ⓐ Place Arm on Spindle

Ⓑ Rotate

Ⓒ Remove Arm from Spindle

See Step 6 on Page 4

1600H Series

Hold Open Arm Door Closers — Parallel Arm



ASSA ABLOY

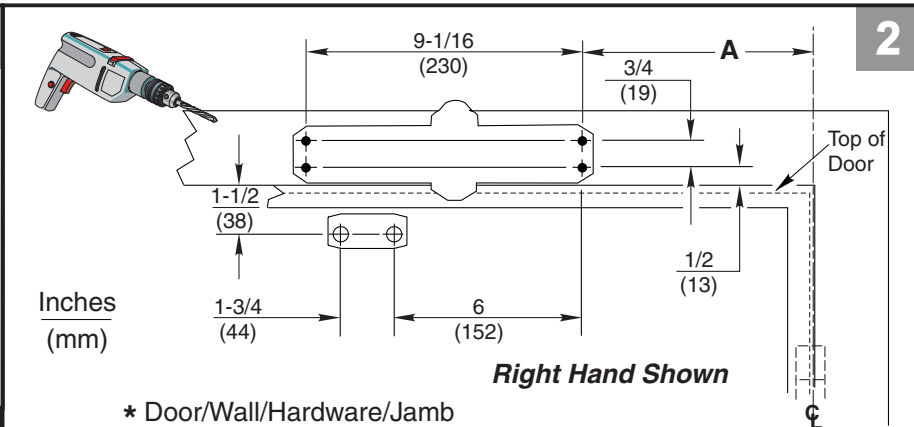
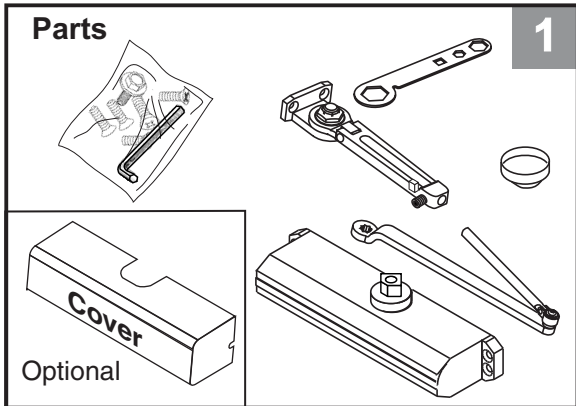
<p>6</p> <p>Right Hand Door or Left Hand Door</p> <p>Flat</p> <p>Flat</p> <p>A</p> <p>B</p>	<p>7</p> <p>Open Valves</p> <p>Caution: Do Not Back Valves out Completely</p>	<p>8</p> <p>Assemble Arm</p>	
<p>9</p> <p>Arm Screw</p> <p>1-1/2 (38)</p>	<p>10</p> <p>Spring Power Adjust 1601 only (If necessary)</p> <p>Stronger + Weaker -</p>	<p>11</p> <p>Sweep</p> <p>Slower - Faster +</p>	<p>12</p> <p>Latch</p> <p>Faster + Slower -</p>
<p>13</p> <p>Backcheck</p> <p>Stronger + Weaker -</p> <p>Caution: Don't completely close valve</p>	<p>14</p> <p>Set Hold Open</p> <p>70° to 180°</p> <p>A</p> <p>B</p>	<p>15</p> <p>Pinion Cap or Optional Cover</p> <p>(2)</p> <p>OR</p> <p>Screw pinion cap onto pinion shaft by hand or with a Phillips screw driver - DO NOT OVER TIGHTEN.</p>	

1600H Series

Hold Open Arm Door Closers — Top Jamb Arm



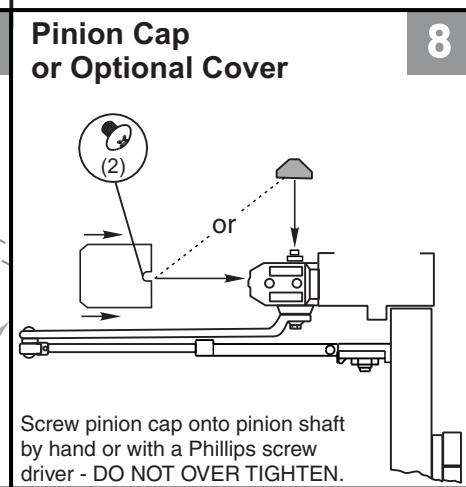
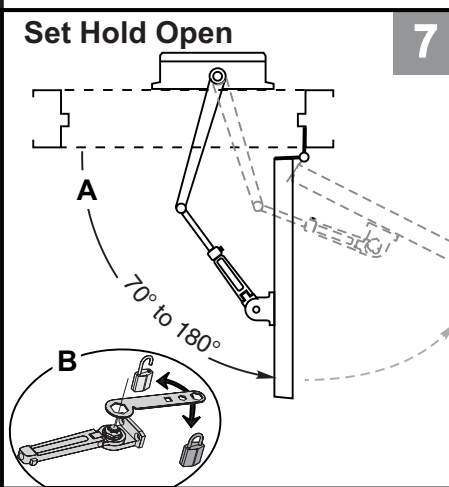
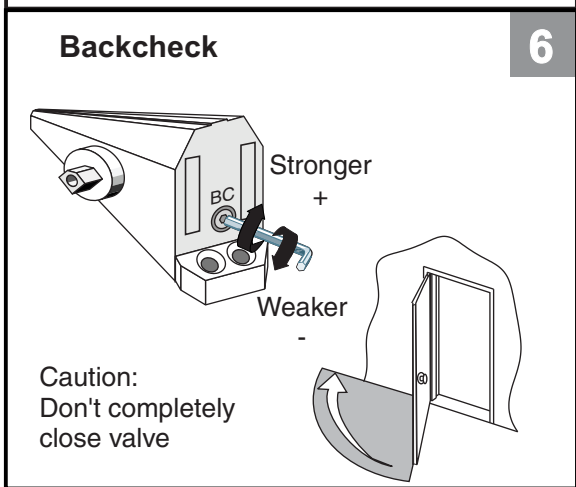
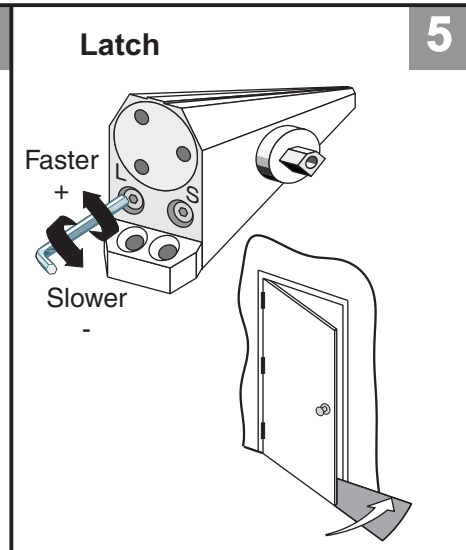
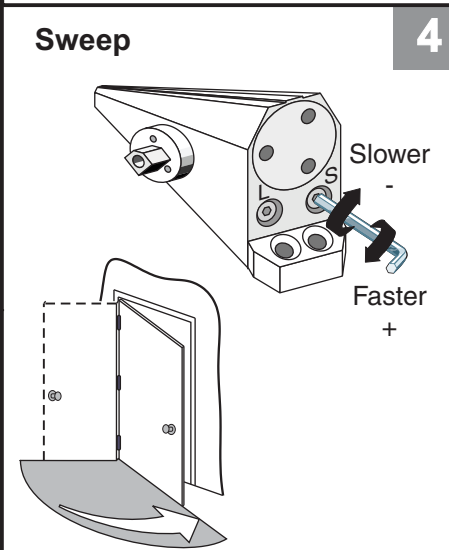
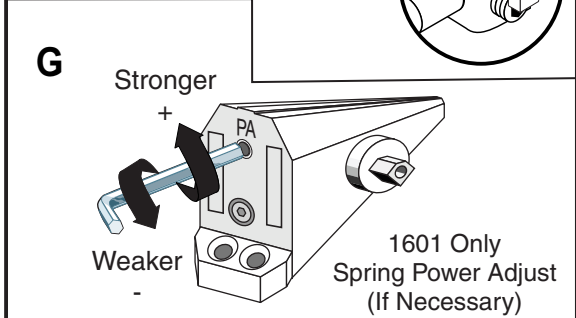
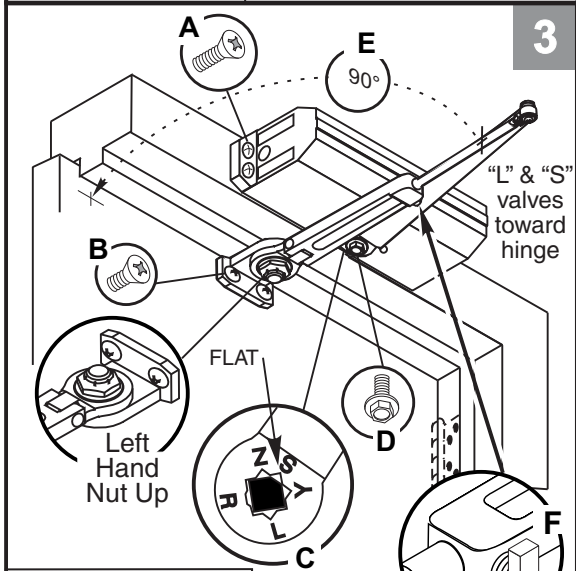
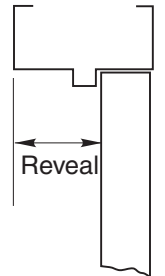
ASSA ABLOY



* Door/Wall/Hardware/Jamb conditions permitting

Opening	Dimension "A"
To 100°	7-1/2 (191)
101° to 120°	6 (152)
*121° to 180°	3-1/2 (89)

Longer connecting rod 7701-31A is required for reveals greater than 3" (76)

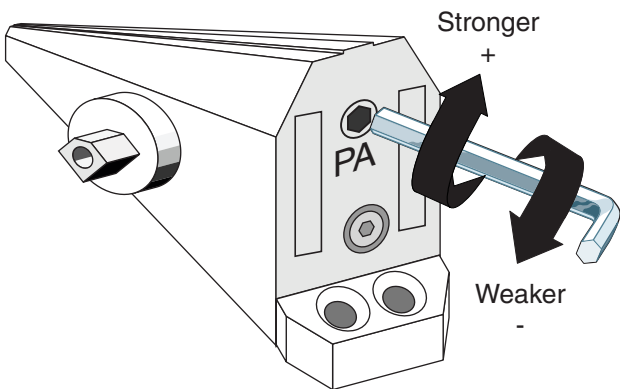


1600H Series Adjustments Page

Sweep **Latch** **Backcheck**

(Use 1/8" Hex Wrench for these Adjustments)

Spring Power Adjust 1601 (BF) only

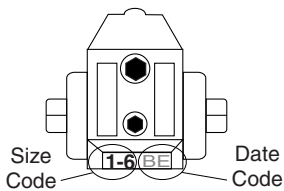


(Use 1/8" Hex Wrench for this Adjustment)

Adjustment Chart				Number of Turns Required				
DOOR	TYPE OF INST.	*	FULL 360° TURNS OF 3/16 POWER ADJUSTMENT WRENCH	MAXIMUM DOOR SIZE				
				34" (0.85M)	36" (0.90M)	40" (1.00M)	44" (1.10M)	48" (1.20M)
1601	INTERIOR	Regular Arm Top Jamb		2	4	6	10	12
		Parallel Arm		3	5	8	11	14
	EXTERIOR	Regular Arm Top Jamb		3	5	8	11	14
		Parallel Arm		5	8	11	16	19

*30 FULL (360°) TURNS MAXIMUM AVAILABLE
 = 8 Turns As Shipped

To identify your model:

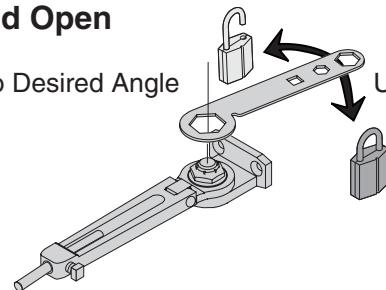


1-6=1601
 3=1603BC
 4=1604BC

To Set Hold Open

Open Door to Desired Angle

Use 1" Wrench



ASSA ABLOY

3000 Highway 74 East • Monroe, NC 28112
 Tel: (800)-438-1951 ext. 6030
www.nortondoорcontrols.com
support.aadcg@assaabloy.com

ASSA ABLOY, the global leader in door opening solutions

80-9316-2532-020 Rev 1