

Product Name
TDM

Universal Time Delay Module

Contact Information

MS SEDCO
8701 Castle Park Drive
Indianapolis, IN 46256
Phone: (317) 842-2545
www.mssedco.com

Product Description

BASIC USE

The TDM is a multipurpose micro-processor based timing module that can be used for a variety of applications. Its unique design and open architecture allows the TDM to be used in any type of application that requires timing control of up to two outputs with up to four inputs.

Common Applications include:

- Using the TDM to provide a simple time delay of 0-99 seconds.
- Using the TDM as a make/break relay to eliminate mechanical binding of the electrical locking mechanism on an automatic door. The make relay can even be configured as a wet output to directly apply power to the electric locking device.
- Using the TDM to sequence vestibule doors. One unit is capable of sequencing the vestibule doors from both

directions.

The four inputs on the TDM allow sequencing or independent operation of the two outputs.

- Input 1 will sequence Output 1 then 2.
- Input 2 will sequence Output 2 then 1.
- Input 3 will operate Output 1 independently.
- Input 4 will operate Output 2 independently.

Both outputs on the TDM are programmable for "on time" duration as well as the delay time between the two outputs from 0 to 99 seconds

Technical Data
SPECIFICATIONS

<i>Model</i>	TDM
<i>Power</i>	12 to 24 V AC or DC
<i>Power Consumption</i>	2W Maximum
<i>Output Contact</i>	Form C, Rated At 3 Amps
<i>Temperature</i>	-22°F to 158°F (-30°C to 70°C)
<i>Color</i>	Flat Black
<i>Enclosure</i>	ABS Plastic
<i>Weight</i>	0.25 lb.
<i>Physical Size</i>	4 3/4"L x 2 1/4"W x 3/4"H

Special Functions

Wet Output

- Allows installer to apply power directly to an electric locking device (eliminating need for separate transformer)

Pushbutton Fault Indicator

- Provides valuable diagnostic information to installer

Preprogrammable

- Easily set-up on site or in advance using the LED Display
- Settings are stored in memory so TDM remembers settings (even after power failure)

APPLICABLE STANDARDS

American National Standards Institute (ANSI) - Building Hardware Manufacturers Association (BHMA) - ANSI/BHMA A156.10 & A156.19.

Installation

SETUP AND ADJUSTMENT

The TDM is easily mounted in the door header or control box. The LED Display allows for ease in programming. The installer uses the Program Mode Button to adjust each of the four time delays and select the input and output settings.

Availability & Cost

AVAILABILITY

Available internationally from manufacturer's authorized distributors; contact MS SEDCO for the location of nearest distributor.

COST

Cost information on MS SEDCO products is available from the manufacturer's authorized distributor.



Universal Time Delay Module



ENGINEERED FOR MOTION

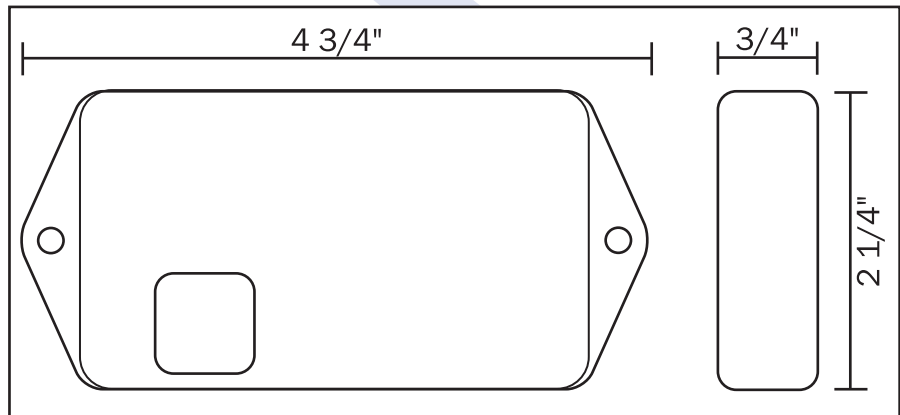
Warranty

MS SEDCO, Inc. guarantees this product to be free from manufacturing defects for one year from date of installation. Unless MS SEDCO is notified of the date of installation, the warranty will be in effect for one year from the date of shipment from our factory. If, during the first year, this product fails to operate and has not been tampered with or abused, the unit can be returned prepaid to the factory and be repaired free of charge. After one year, the unit will be repaired for a nominal service charge. **Limited warranty is in lieu of all other warranties, expressed or implied, including any implied warrantability of merchantability.**

No representative or person is authorized to assume for MS SEDCO any other liability in connection with the sale of our products. All warranties are limited to the duration of this written limited warranty. In no event shall MS SEDCO be liable for any special, incidental, consequential or other damage arising from any unclaimed breach of warranty as to its products or services.

personnel offer design assistance and technical support. Local distributors are also available to assist in selecting appropriate devices for specific uses and to provide onsite installation.

DIMENSIONS



Maintenance

MS SEDCO recommends that all maintenance and adjustments be performed by an AAADM Certified Technician.

Technical Services

MS SEDCO's staff of factory trained sales and service

012015