

The Sentronic® SEM 7800 Series are heavy duty, electrically controlled door holding magnets. Magnets are fail safe and hold until the current is interrupted. A manual door closer is used to control and close the door. A choice of floor, recessed wall, or surface mounted wall magnets are available.

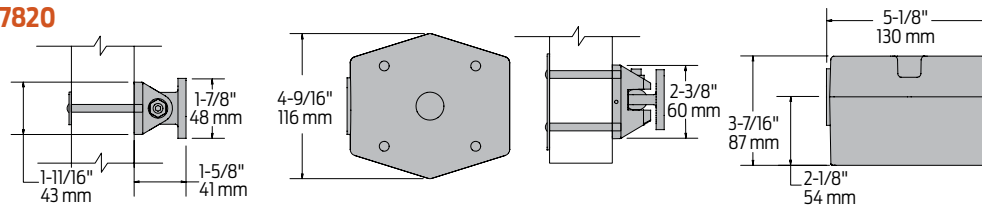
Certifications	Grade 1 - ANSI A156.15, UL 10C for metal smoke barrier or labeled door, ADA, Life Safety Code, NFPA 101, 100 Hour Salt Spray, Meets BAA - Buy American Act
Voltage	Tri-voltage design with 35 lbs. of holding force
Housing	Die cast
Fasteners	Wood and machine screw pack
Finishes/Colors/ Powder Coat	Available in Aluminum and Dark Bronze only
Options	Now available with armature extensions (see page 11)

SEM7800 Series

Magnets

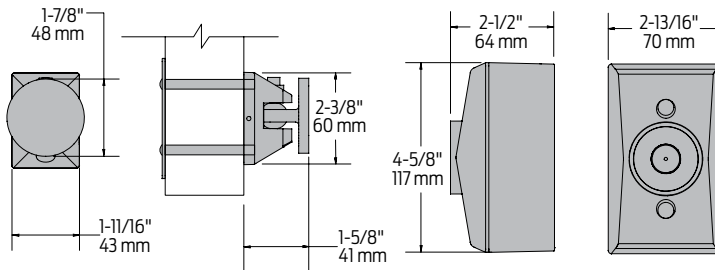
Features and mounting details

7820



Mounting	Floor mounted
Total Projection	6-3/4" (171 mm)

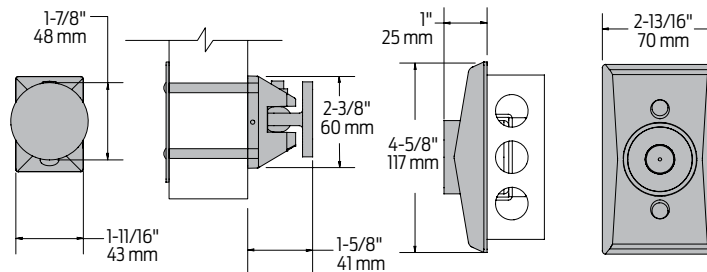
7830



Mounting	Surface wall mounted
Total Projection	4-1/8" (105 mm)

- Suitable for use in pocket door installations

7840



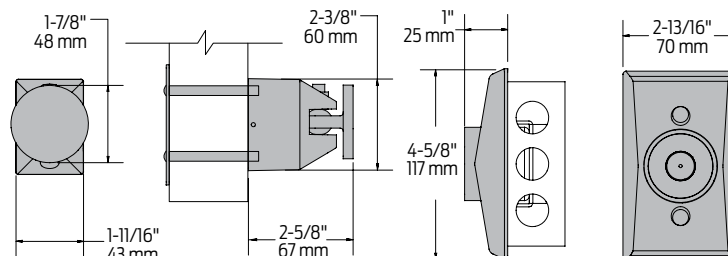
Mounting	<ul style="list-style-type: none"> ■ Low profile recessed wall mount ■ 2" (51 mm) x 4" (102 mm) x 1-1/2" (38 mm)
Total Projection	2-5/8" (67 mm)

- Suitable for use in pocket door installations

Note:

Outlet box not included.

7850



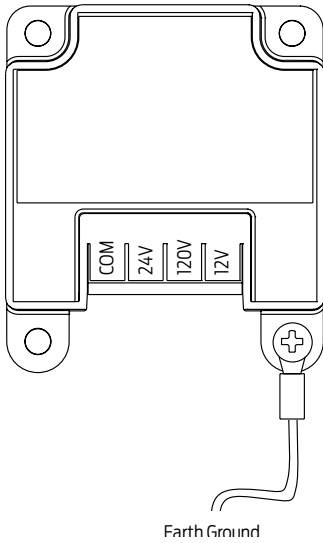
Mounting	<ul style="list-style-type: none"> ■ Standard profile recessed wall mount ■ 2" (51 mm) x 4" (102 mm) x 1-1/2" (38 mm)
Total Projection	3-5/8" (92 mm)

- Suitable for use in pocket door installations

Note:

Outlet box not included.

Voltage input



Electrical schematic

Operation:
Electromagnets are typically used with fire alarm systems. Doors are held open in the non-alarm condition. When the fire alarm panel enters the alarm condition, power to the electromagnets is removed, the doors close under door closer control, and function as a manual door. When the fire alarm panel returns to the non-alarm condition, power is reapplied to the electromagnets and the doors can be held open again.

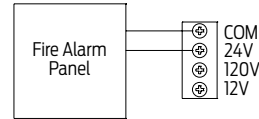


Fig. 1 24V AC/DC Wiring
Polarity is inimportant

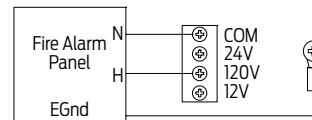


Fig. 2 120V AC Wiring

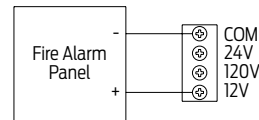


Fig. 3 12V DC Wiring
Polarity as shown

Electrical Specifications
Max. Current Draw
.030A @ 12VDC
.020A @ 24VAC/DC
.020A @ 120VAC

Holding Force	35 lbs. @ nominal input voltage
Maximum Current Draw	<ul style="list-style-type: none"> ■ .020A @ 24VAC/DC, 120VAC ■ .030A @ 12VDC

Magnets



SEM7820-516
Floor Magnet

- Magnet coil
- Standard



SEM7830-516
SEM7840-516
SEM7850-516
Wall Magnet

- Magnet coil
- Standard

Armatures



SEM7820-825
SEM7830-825
SEM7840-825
Door Armature

- Die cast low profile armature
- Standard



SEM7850-828
Door Armature

- Die cast armature
- Standard

Cover



SEM7830-72
SEM7840-72
SEM7850-72
Standard Cover

- Die cast cover
- Standard

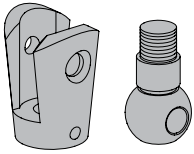
Box



SEM7830-268
Wall Box

- Die cast surface wall mount box
- Standard

Extensions



**SEM7810-514
Coupler Assembly Kit**

- Required for each door needing extension(s)
- Kit includes coupler link and ball pivot (alone serves as a 1-1/2" extension)



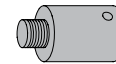
**SEM7810-E050
Extension - 1/2"**

- Metal
- Standard



**SEM7810-E075
Extension - 3/4"**

- Metal
- Standard



**Extension, SEM7810-E100
Extension - 1"**

- Metal
- Standard



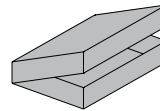
**SEM7810-E200
Extension - 2"**

- Metal
- Standard



**Extension, SEM7810-E400
Extension - 4"**

- Metal
- Standard



**SEM7810-517
Extension kit**

- Extension kit includes:
- 107810SEM-E050
 - 107810SEM-E075
 - 107810SEM-E100
 - 57810SEM-E200
 - 207810SEM-514

*Note: Using just the Coupler Assembly Kit (SEM7810-514) will create a 1-1/2" link.
Extension Links are available in different lengths and can be combined together to achieve the desired length. Max. recommended length = 12"*

SEM7800 Series

Ordering Information

How-to-order SEM 7800 series magnets

Select magnet series

- SEM7820
- SEM7830
- SEM7840
- SEM7850

Specify finish

- Standard Powder Coat _____
Aluminum, Dark Bronze

Magnets will be shipped with:

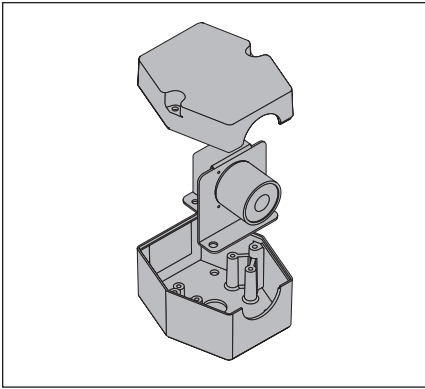
- Die cast housing
- Cover
- Armatures
- WMS screw pack

How-to-order SEM 7810 extensions

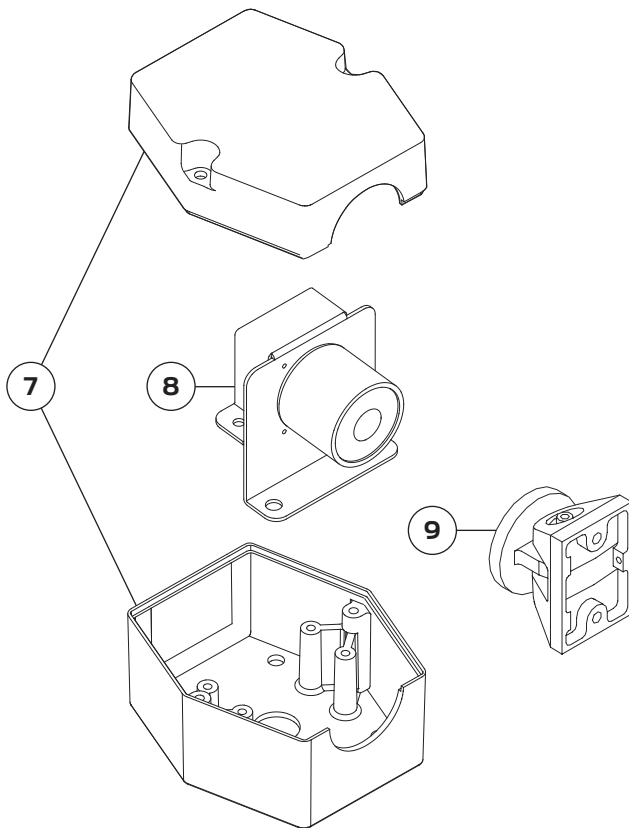
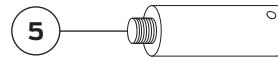
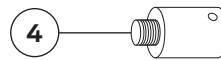
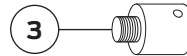
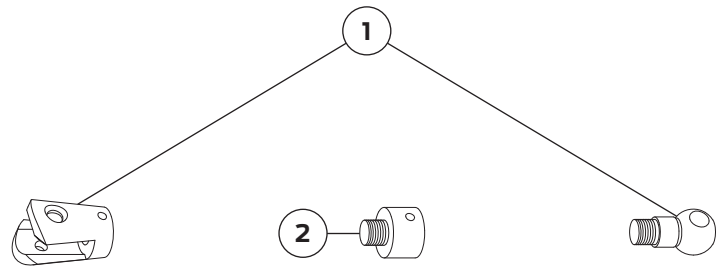
Select magnet series

- SEM7810-514 (qty.) _____
- SEM7810-E050 (qty.) _____
- SEM7810-E075 (qty.) _____
- SEM7810-E100 (qty.) _____
- SEM7810-E200 (qty.) _____
- SEM7810-E400 (qty.) _____
- SEM7810-517 (qty.) _____

SEM7800 Series



SEM7810 & Extensions

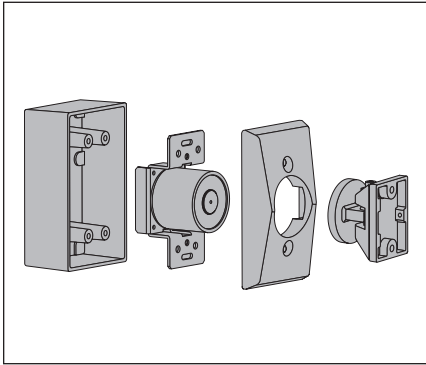


No.	Description	Part number
1	Ball Pivot / Connection Link (F)	SEM7810-514
2	Extension 1/2" (F)	SEM7810-E050
3	Extension 3/4" (F)	SEM7810-E075
4	Extension 1" (F)	SEM7810-E100
5	Extension 2" (F)	SEM7810-E200

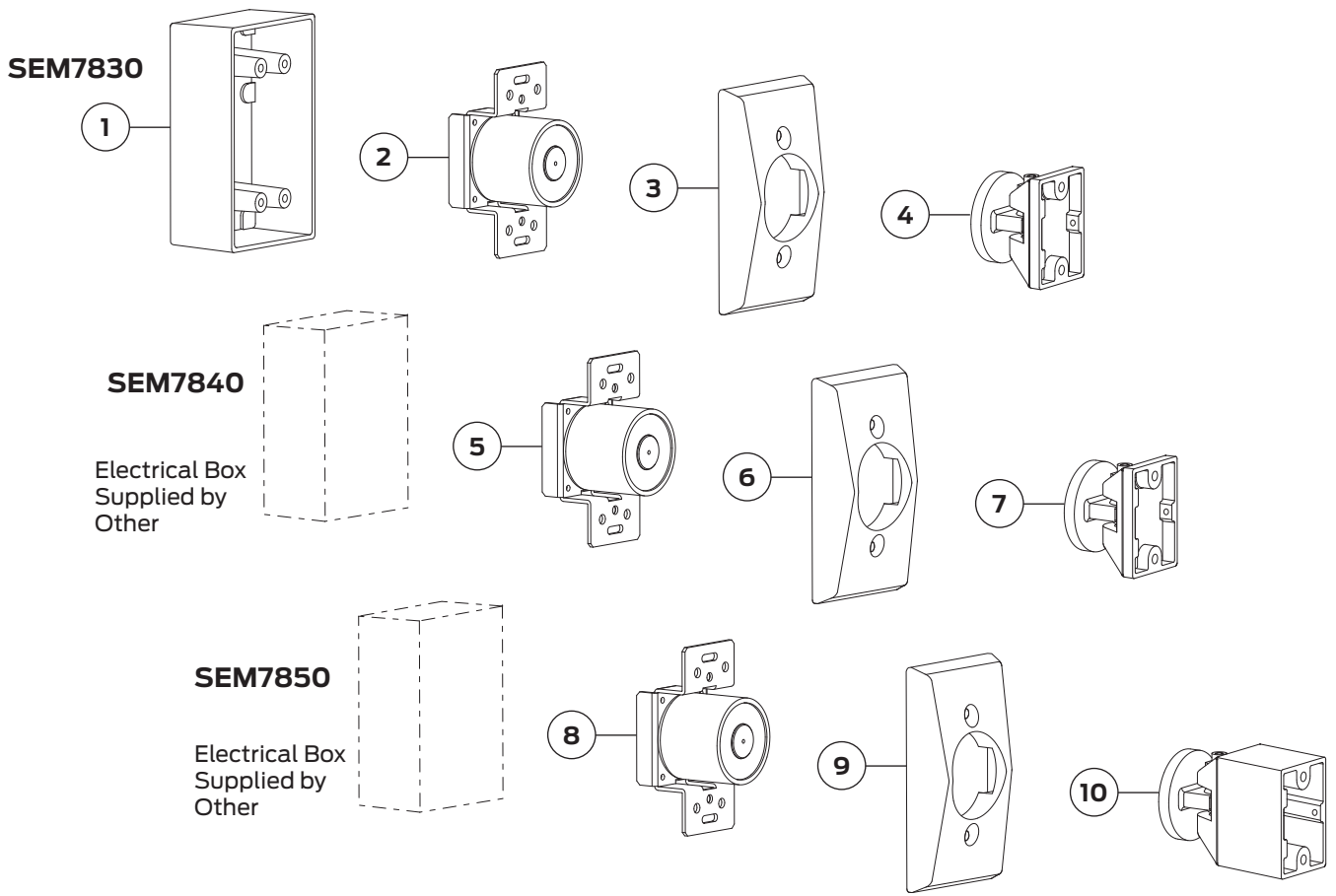
No.	Description	Part number
6	Extension 4" (F)	SEM7810-E400
7	Standard Cover & Base (F)	SEM7820-72
8	Magnet Core Assembly	SEM7820-516
9	Door Armature (F)	SEM7820-825
10	Fastener Kit (Not Shown)	SEM7820-515

Please specify finish (F) & voltage (V) where indicated. See the latest edition of the LCN catalog for part descriptions and specifications on many of the items shown above. List prices for items shown above can be located in the current LCN price book.

SEM7800 Series



SEM7830, SEM7850, & SEM7850



No.	Description	Part number
1	Surface Mount Box (F)	SEM7830-268
2	Magnet Core Assembly	SEM7830-516
3	Standard Cover (F)	SEM7830-72
4	Door Armature (F)	SEM7830-825
5	Magnet Core Assembly	SEM7840-516
6	Standard Cover (F)	SEM7840-72
7	Door Armature (F)	SEM7840-825

No.	Description	Part number
8	Magnet Core Assembly	SEM7850-516
9	Standard Cover (F)	SEM7850-72
10	Door Armature (F)	SEM7850-828
11	Fastener Kit (Not Shown)	SEM7830-515
12	Fastener Kit (Not Shown)	SEM7840-515
13	Fastener Kit (Not Shown)	SEM7850-515

Please specify finish (F) & voltage (V) where indicated. See the latest edition of the LCN catalog for part descriptions and specifications on many of the items shown above. List prices for items shown above can be located in the current LCN price book.