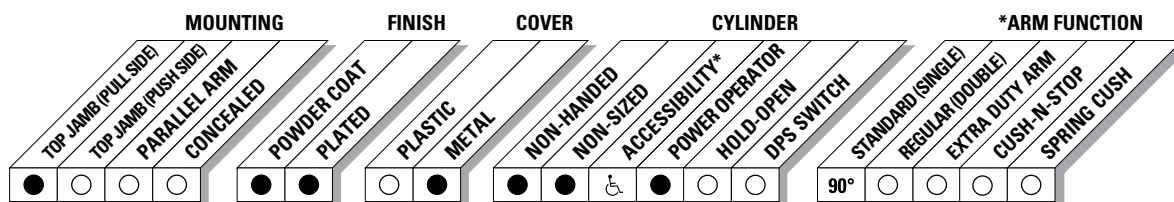


The 4810 AUTO EQUALIZER™ is LCN's pneumatically powered MULTIDOOR solution. This low-energy automatic operator provides easy access for people with disabilities, or the elderly. Designed primarily for manual opening applications that occasionally require automatic opening.

<b>Certifications</b>	Grade 1 - ANSI A117.1, A156.19, UL 10C 228, ADA, 100 Hour Salt Spray, Meets BAA - Buy American Act	<b>Cover</b>	Metal, standard
<b>Body Construction</b>	<ul style="list-style-type: none"> <li>■ Cast Iron Body</li> <li>■ Full Complement Bearing</li> <li>■ 1-1/2" Diameter Piston</li> <li>■ 3/4" Diameter Double Heat Treated Pinion Journal</li> </ul>	<b>Fasteners</b>	Wood and machine screws
<b>Fluid</b>	All Weather Fluid	<b>Mounting</b>	Top jamb (Pull Side)
<b>Handing</b>	Non-Handed	<b>Arms</b>	Single lever arm with standard track
<b>Size</b>	Adjustable Spring Size 1-4	<b>Finishes/Colors/ Powder Coat</b>	<ul style="list-style-type: none"> <li>■ Aluminum (689)</li> <li>■ Statuary Bronze (690)</li> <li>■ Light Bronze (691)</li> <li>■ Black (693)</li> <li>■ Dark Bronze (695)</li> <li>■ Brass (696)</li> <li>■ Custom colors optional</li> </ul>
<b>Warranty</b>	2 years		<ul style="list-style-type: none"> <li>■ Optional SRI primer - powder coat only</li> <li>■ Optional plated finishes</li> </ul>

**Special  
Templates**

Customized installation templates or products may be available to solve unusual applications. Contact LCN Product Support for assistance.



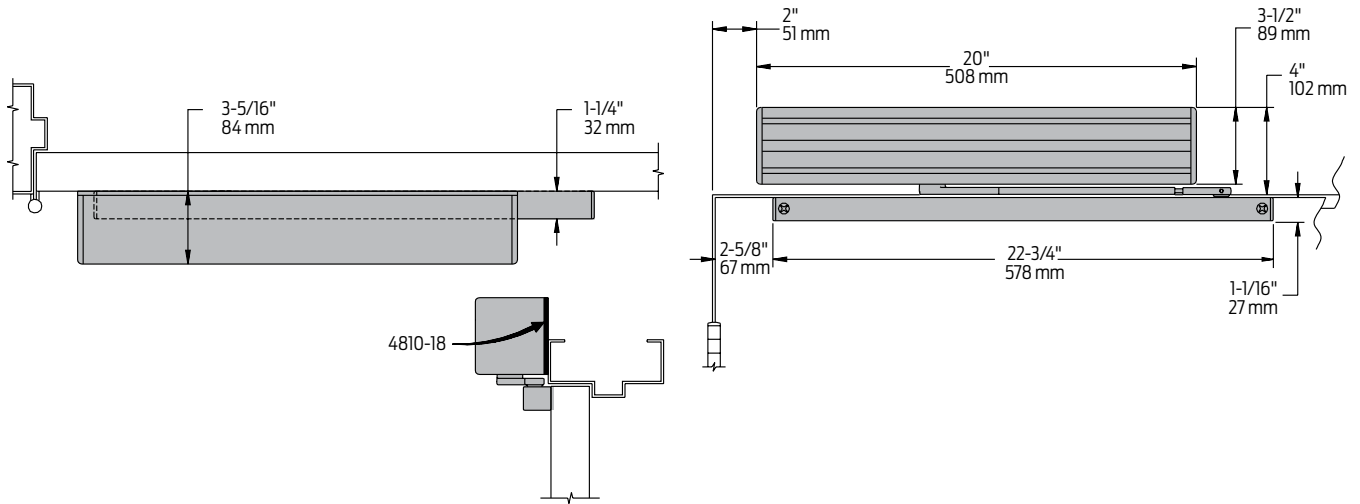
● AVAILABLE  
○ NOT AVAILABLE

♿ Meets ADA requirements (power mode).  
\* See individual series for maximum manual opening.

# 4810 Series Auto Equalizer

## Mounting details

### Top Jamb (Pull Side) Mounting



<b>Butt Hinges</b>	Should not exceed 5" (127 mm) in width
<b>Auxiliary Stop</b>	Recommended
<b>Reveal</b>	Should not exceed 1/8" (3 mm)
<b>Head Frame</b>	Minimum 2" (51 mm)
<b>Top Rail</b>	Minimum 1-1/8" (29 mm)
<b>System Diagram</b>	See "AUTOMATIC OPERATORS" section pages 7-8 for typical system wiring, and pages 28-29 for electrical and pneumatic data for control boxes
<b>Maximum opening</b>	<ul style="list-style-type: none"> <li>■ Templating allows 90° power opening and 170° manual opening</li> <li>■ Please note that many track style door closers are capable of allowing 180° of door swing</li> <li>■ Track style closers are at their weakest closing force at 180°</li> <li>■ Consult factory for applications where exterior or large/heavy door must swing 180°</li> </ul>

**Notes:**

- Multi-door solution utilizing 10,000,000 cycle heavy duty door closer
- Requires control box with integral compressor or control box using auxiliary air supply
- See CONTROL BOX pages 28-29 and actuators and accessories, pages 115-131
- Guard rails/safety mats not required

## Cylinders



**4811-3971**  
Cast Iron Cylinder Assembly

- Non-handed
- Standard



**4811-3071**  
Cast Iron Cylinder Assembly

- Non-handed
- Mounting plate
- Standard

## Cover



**4810-72MC**  
Metal Cover

- Non-handed
- With black end caps
- Standard

## Track



**4810-3038**  
Standard Track

- Non-handed
- Will not accept hold open clip or bumper assembly
- Standard

## Arm



**4810-3077T**  
Standard Arm

- Non-handed
- Track roller not included with arm

## Installation Accessories



**4810-3034**  
Track Roller

- Quiet low friction roller assembly
- Shoulder dimension "X" = 1/8" (3mm)

# 4810 Series Auto Equalizer

## Ordering Information

### How-to-order 4810 Series

#### Specify finish

- Standard Powder Coat \_\_\_\_\_  
Aluminum, Dark Bronze, Statuary, Light Bronze, Black, Brass

#### Closer options

##### Finishes

- Custom Powder Coat (RAL)- \_\_\_\_\_
- Plated Finish, US- \_\_\_\_\_

##### Screw pack

- TB\*, Wood & Machine Screw (TBWMS)  
\*Specify door thickness if other than 1-3/4"

##### Special template

- ST- \_\_\_\_\_

#### Closer will be shipped with:

- Standard cylinder
- Standard metal cover
- Standard arm
- Track roller
- Standard track
- Wood and machine screw pack  
unless options listed below are selected.

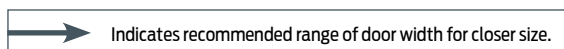
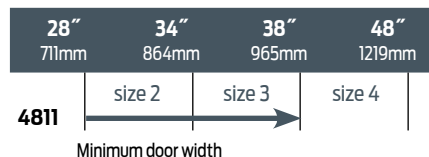
### Table of sizes

- Non-sized 4810 Series cylinder is adjustable from size 1 through size 4 and is shipped set to size 3
- Closing power of 4810 Series closers may be increased 50%

#### Exterior (and Vestibule) door width

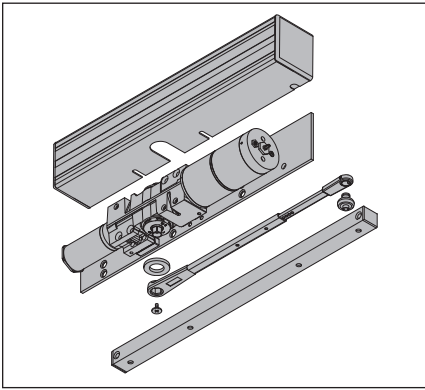


#### Interior door width

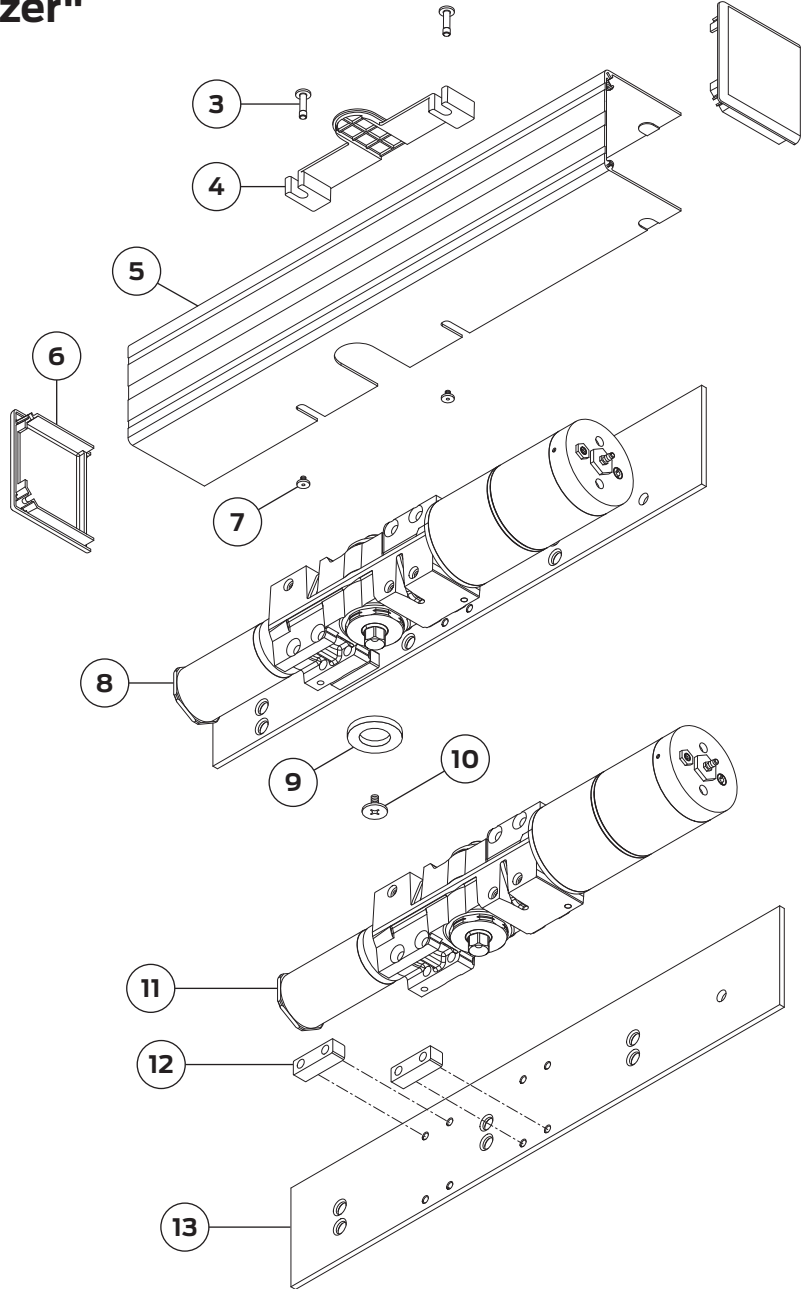
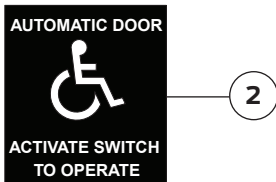
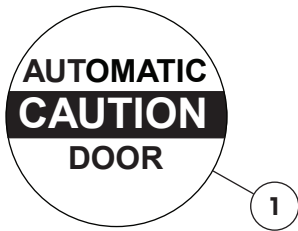


NOTE: Minimum door width 28" (711 mm).

# 4810 Series "Auto-Equalizer"



Cylinder & Cover Parts



No.	Description	Part number
1	Caution Decal *	4810-155-1
2	Activation Decal †	4810-155-2
3	Long Cover Screw (F)	4810-31L
4	Cover Insert ‡	4810-163
5	Metal Cover (F)§	4810-72MC
6	Cover Endcap	4810-334
7	Cover Screw (F)	4810-31

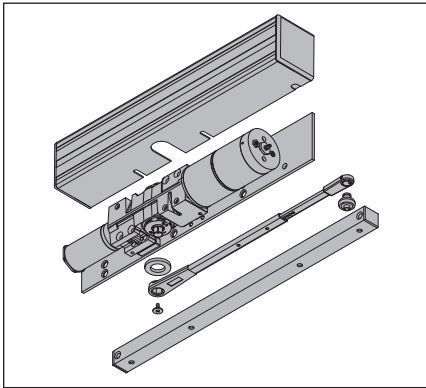
No.	Description	Part number
8	Standard Cylinder Assembly (F)¶	4811-3071
9	Shaft Spacer	4810-61
10	Arm Screw (F)	4810-159
11	Cylinder Only (F)#	4811-3971
12	Stand Off	4810-182
13	Mounting Plate (F)	4810-18

\* Black/Yellow Caution decal.  
 † Blue/White Switch decal.  
 ‡ Includes No. 3(2).

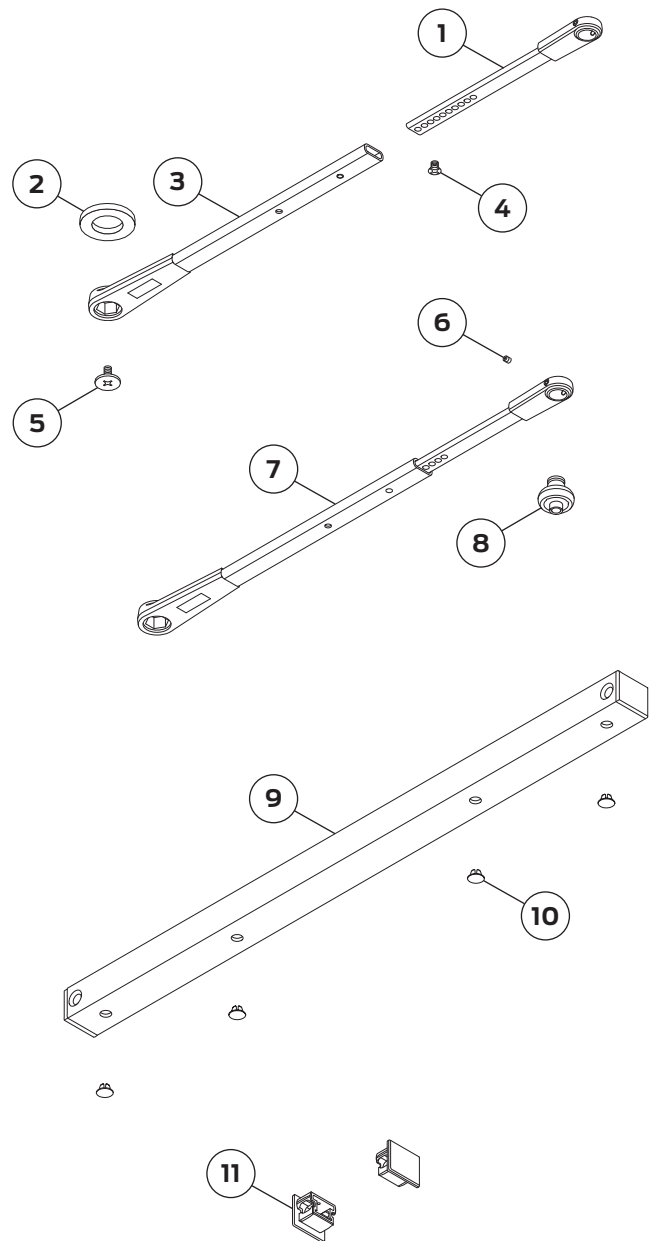
§ Includes Nos. 3(2), 4, 6(2), & 7(2).  
 ¶ Includes Nos. 11, 12(2), & 13. Cylinder is adjustable, size 1-4.  
 # Cylinder is adjustable, size 1-4.

Please specify finish (F) where indicated. See the latest edition of the LCN catalog for part descriptions and specifications on many of the items shown above. List prices for items shown above can be located in the current LCN price book.

## 4810 Series "Auto-Equalizer"



Arm & Track



No.	Description	Part number
1	Rod (F)*	4810-82
2	Shaft Spacer	4810-61
3	Arm and Tube (F)†	4810-78
4	H Arm Screw (F)	4810-83H
5	Arm Screw (F)	4810-159
6	Roller Lock Screw	4810-425
7	Standard Arm (F)‡	4810-3077T

\* Includes Nos. 4 & 6.

† Includes No. 5.

No.	Description	Part number
8	Track Roller	4810-3034
9	Standard Track (F)§	4810-3038
10	Plug (F) (4 Required - Sold Individually)	4810-141-2
11	End Cap (F) (2 Required - Sold Individually)	4810-73
12	WMS Screw Pack (Not Shown) (F)	4810-WMS
13	TBWMS Screw Pack (Not Shown) (F)	4810-TBWMS

‡ Includes Nos. 1, 2, 3, 4, & 6.

§ Includes Nos. 10(4) & 11(2).

Please specify finish (F) where indicated. See the latest edition of the LCN catalog for part descriptions and specifications on many of the items shown above. List prices for items shown above can be located in the current LCN price book.