

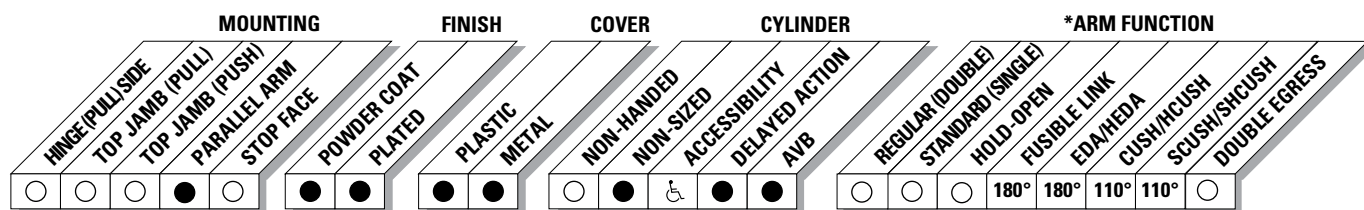


The 4110 is LCN's best performing heavy duty closer designed specifically for institutional and other rugged high traffic applications.

Certifications	Grade 1 - ANSI A156.4, UL 10C, ADA, 100 Hour Salt Spray, Meets BAA - Buy American Act	Cover	<ul style="list-style-type: none"> ■ Plastic, Standard ■ Metal, Optional
Body Construction	<ul style="list-style-type: none"> ■ Cast Iron Body ■ Full Complement Bearing ■ 1-1/2" Diameter Piston ■ 11/16" Diameter Double Heat Treated Pinion Journal 	Fasteners	Self Reaming and Tapping Screws (SRT)
Fluid	All Weather Fluid	Mounting	Parallel Arm (Push Side)
Handing	Handed	Arms	Extra-Duty arm
Templating	Peel-n-Stick templates - 2-1/2" x 6" Mounting Hole Pattern	Finishes/Colors/Powder Coat	<ul style="list-style-type: none"> ■ Aluminum (689) ■ Statuary Bronze (690) ■ Light Bronze (691) ■ Black (693) ■ Dark Bronze (695) ■ Brass (696) ■ Custom colors optional
Size	Adjustable Spring Size 1-5, or Sized 6, Includes Patented Green Dial		<ul style="list-style-type: none"> ■ Optional SRI primer - powder coat only ■ Optional plated finishes
Warranty	30 years		

Special Templates

Customized installation templates or products may be available to solve unusual applications. Contact LCN Product Support for assistance.



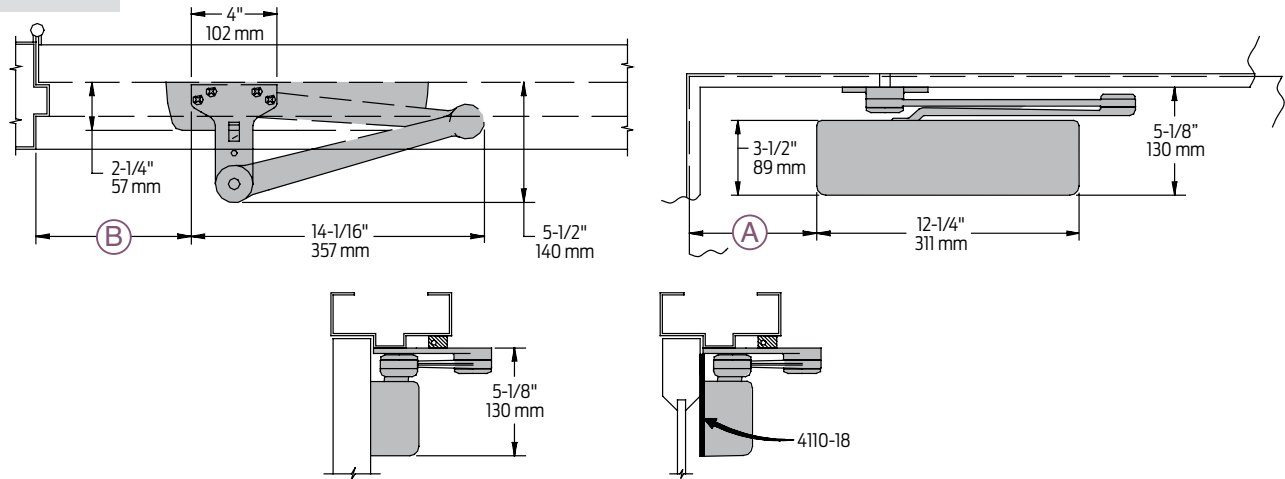
● AVAILABLE
○ NOT AVAILABLE

♿ Closer available with less than 5.0 lbs. opening force on 36" door.
* Maximum opening/hold-open point with standard template.

4110 Series

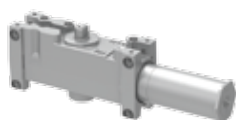
Mounting details

Parallel Arm (Push Side) Mounting



Butt Hinges	Should not exceed 5" (127 mm) in width	
Auxiliary Stop	Recommended at hold-open point, where a door cannot swing 180°, or where CUSH-N-STOP arm is not used	
Clearance	EDA, or CUSH shoe is 5-1/2" (140 mm) from door face	
Top Rail	<ul style="list-style-type: none"> Less than 5-1/8" (130 mm) measured from stop requires PLATE, 4110-18 Plate requires 2" (51 mm) minimum measured from the stop 	
Stop Width	Minimum 1" (25 mm)	
Head Frame	Flush or rabbeted requires CUSH FLUSH PANEL ADAPTER, 4110-419	
Reveal	Less than 2-3/4" (70 mm), use CUSH SHOE SUPPORT, 4110-30 with CUSH arms	
Blade Stop Spacer	4110-61 required to clear 1/2" (13 mm) blade stop	
Cush Arm	Requires CUSH SHOE SUPPORT, 4110-30 for fifth screw anchorage where reveal is less than 3-1/16" (78 mm)	
Delayed Action	<ul style="list-style-type: none"> Add suffix "DEL" to selected cylinder (eg. 4111 DEL) Not available with 4116 cylinder. Delays closing from maximum opening to approximately 70° Delay time adjustable up to approximately 1 minute 	
Advanced Variable Backcheck	<ul style="list-style-type: none"> Cylinder starts backcheck at approximately 45° instead of the normal 75° Add suffix "AVB" to selected cylinder 	
Maximum opening	EDA or Fusible Link arm can be templated for	CUSH arm can be templated for maximum opening at
	100° A = 5-15/16" (151 mm) B = 7-1/4" (184 mm)	85° A = 8-5/16" (211 mm) B = 9-5/8" (244 mm)
	140° A = 4-7/16" (113 mm) B = 5-3/4" (146 mm)	90° A = 7-11/16" (195 mm) B = 9" (229 mm)
	or 180° A = 2-15/16" (75 mm) B = 2-15/16" (75 mm)	or 110° A = 5-9/16" (141 mm) B = 6-7/8" (175 mm)
	<ul style="list-style-type: none"> Hold-open points up to maximum opening with HEDA or Fusible Link arm 	<ul style="list-style-type: none"> Hold-open point at maximum opening with HCUSH arm Spring Cush hold-open points are approximately 5° less than templated stop point

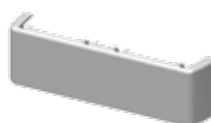
Cylinder



4111(6)-3071
Cast Iron Cylinder Assembly

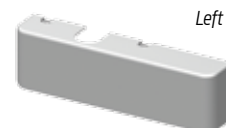
- Handed
- Standard

Covers



4110-72
Plastic Cover

- Non-handed
- Standard



Left hand shown

4110-72MC
Metal Cover

- Handed
- Required for plated finishes and custom powder coat finishes
- Optional

Arms



4110-3049EDA
Hold-Open Arm

- Handed
- Optional
- Provides hold-open function, adjustable at shoe



4110-3049FL
Fusible Link Arm

- Handed
- Releases hold-open function adjustable at shoe when exposed to temperatures above 165° F
- Optional

NOTE: Check local codes before specifying FL arms. NOT A life safety product!



4110-3077CNS
Cush-N-Stop Arm

- Non-handed
- Features solid forged steel main arm and forearm with built-in stop in soffit shoe



4110-3077EDA
Extra Duty Arm

- Non-handed
- Features forged, solid steel main and forearm for potentially abusive installations



4110-3077EDA/ 62G
Extra Duty Arm

- Non-handed
- Features forged, solid steel main and forearm for potentially abusive installations
- Optional 4110-62G thick hub shoe for blade stop clearance

Arms



4110-3049CNS
HCUSH Arm

- Non-handed
- Provides hold-open function with templated stop/ hold-open points.
- Handle controls hold-open function



4110-3077SCNS
Spring CUSH Arm

- Non-handed
- For abusive applications features solid forged steel main arm and forearm with spring loaded stop in the soffit shoe
- Optional



4110-3049SCNS
Spring HCUSH Arm

- Non-handed
- For abusive applications features solid forged steel main arm and forearm with spring loaded stop in the soffit shoe
- Handle controls hold-open function
- Optional

Installation Accessories



4110-18
Plate

- Required for push side mount where top rail is less than 5-1/8" (130 mm), measured from the stop
- Requires minimum 2" (51 mm) minimum top rail



4110-30
CUSH Shoe Support

- Provides anchorage for fifth screw used with CUSH arm, where reveal is less than 3-1/16" (78 mm)



4110-61
Blade Stop Spacer

- Lowers parallel arm shoe to clear 1/2" (13 mm) blade stop



4110-419
PA Flush Panel Adapter

- Provides horizontal mounting surface for CUSH shoe on single rabbeted or flush frame

How-to-order 4110 Series closers

1. Specify cylinder size

- 4111 (adjustable from size 1 to 5)
- 4116 (DEL, SHCUSH or HCUSH arm not available)

2. Specify hand

- RH
- LH

3. Select finish

- Standard Powder Coat _____
Aluminum, Dark Bronze, Statuary, Light Bronze, Black, Brass

Closer will be shipped with:

- Standard cylinder
- Standard cover
- Extra duty arm
- Self-reaming and tapping screws unless options listed below are selected.

Closer options

Cylinder

- Delayed Action (DEL) (not available with 4116)
- Advanced Variable Backcheck (AVB)

Cover

- Metal (MC)

Finish

- Custom Powder Coat (RAL) _____
(handed metal cover required)
- Plated Finish, US _____
(handed metal cover required)
- SRI primer (use with powder coat finishes only)

Specify Arm

- Hold-Open Extra Duty (HEDA)
- Fusible Link, 165° F (FL)
- Cush-N-Stop (CUSH)
- H-Cush-N-Stop (n/a with 4116 cylinder) (HCUSH)
- Spring Cush (SCUSH)
- Spring H-Cush (n/a with 4116 cylinder) (SHCUSH)
- Extra Duty (EDA)
- H-Extra Duty (HEDA)

Screw Packs

- TB* Self-Reaming & Tapping (TBSRT)
- Wood & Machine Screw (WMS)
- TB* Wood & Machine Screw (TBWMS)
- TORX Machine Screw (TORX)
- TB* & TORX Machine Screw (TBTRX)
* Specify door thickness if other than 1-3/4".

Installation Accessories

- Plate, 4110-18
- CUSH Shoe Support, 4110-30
- Blade Stop Spacer, 4110-61
- PA Flush Panel Adapter, 4110-419

Special Template

- ST- _____

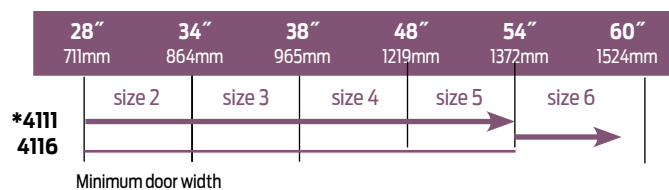
Table of sizes

- Select closer based on width of door.
- The spring power of non-sized 4111 cylinder is adjustable from size 1 through size 5 and is shipped set to size 3.
- Sized 4116 series cylinders 6.
- Delayed action not available with 4116 cylinder
- H - CUSH and SPRING H-CUSH arm not available with 4116 cylinder.

Exterior (and vestibule) door width



Interior door width




→ Indicates recommended range of door width for closer size. * Adjustable Size 1 thru 5.

Reduced opening force 4110 Series closers

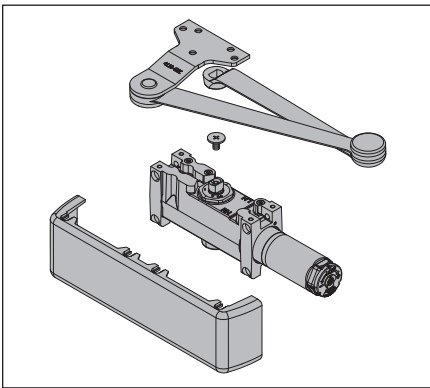
CAUTION! Any manual door closer, including those certified by BHMA to conform to ANSI Standard A156.4, that is selected, installed and adjusted based on ADA or other reduced opening force requirements may not provide sufficient power to reliably close and latch a door.

Refer to AUTOMATIC OPERATORS section for information on systems that meet reduced opening force requirements without effecting closing power.

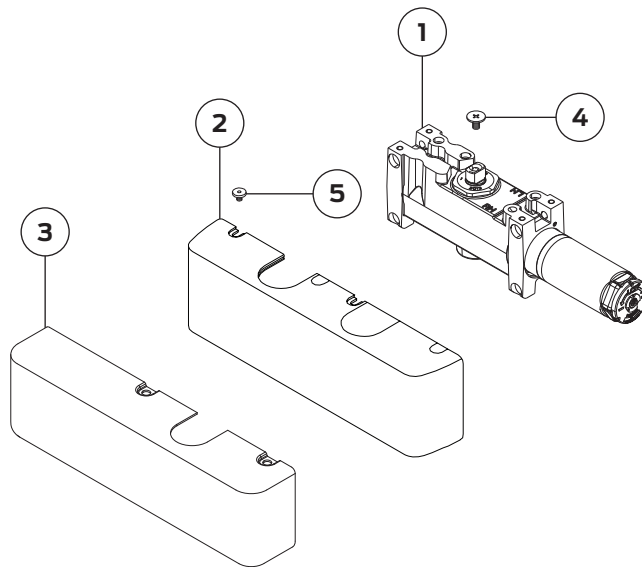
	DOOR WIDTH	36"	42"	48"
	8.5* lbs.	4111	4111	4111
5.0* lbs.	4111	4111	4111	

* Maximum opening force.

4110 Series "Smoothee"



Cylinder & Cover Parts

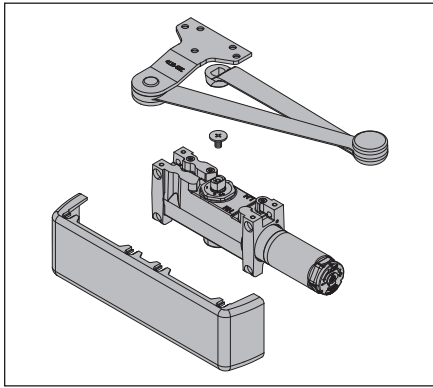


No.	Description	Part number
1	Cylinder Assembly (F)(S)(H)	4111(6)-3071
1	Cylinder Assembly w/ AVB (F)(S)(H)	4111(6)-3071AVB
1	Cylinder Assembly w/ Delay (F)(S)(H)	4111-3071DEL
1	Cylinder Assembly w/ TEL (F)(S)(H)	4111(6)-3071TEL
2	Standard Cover (F)	4110-72
3	Metal Cover (F)(H)	4110-72MC
4	Arm Screw (F)	4110-159

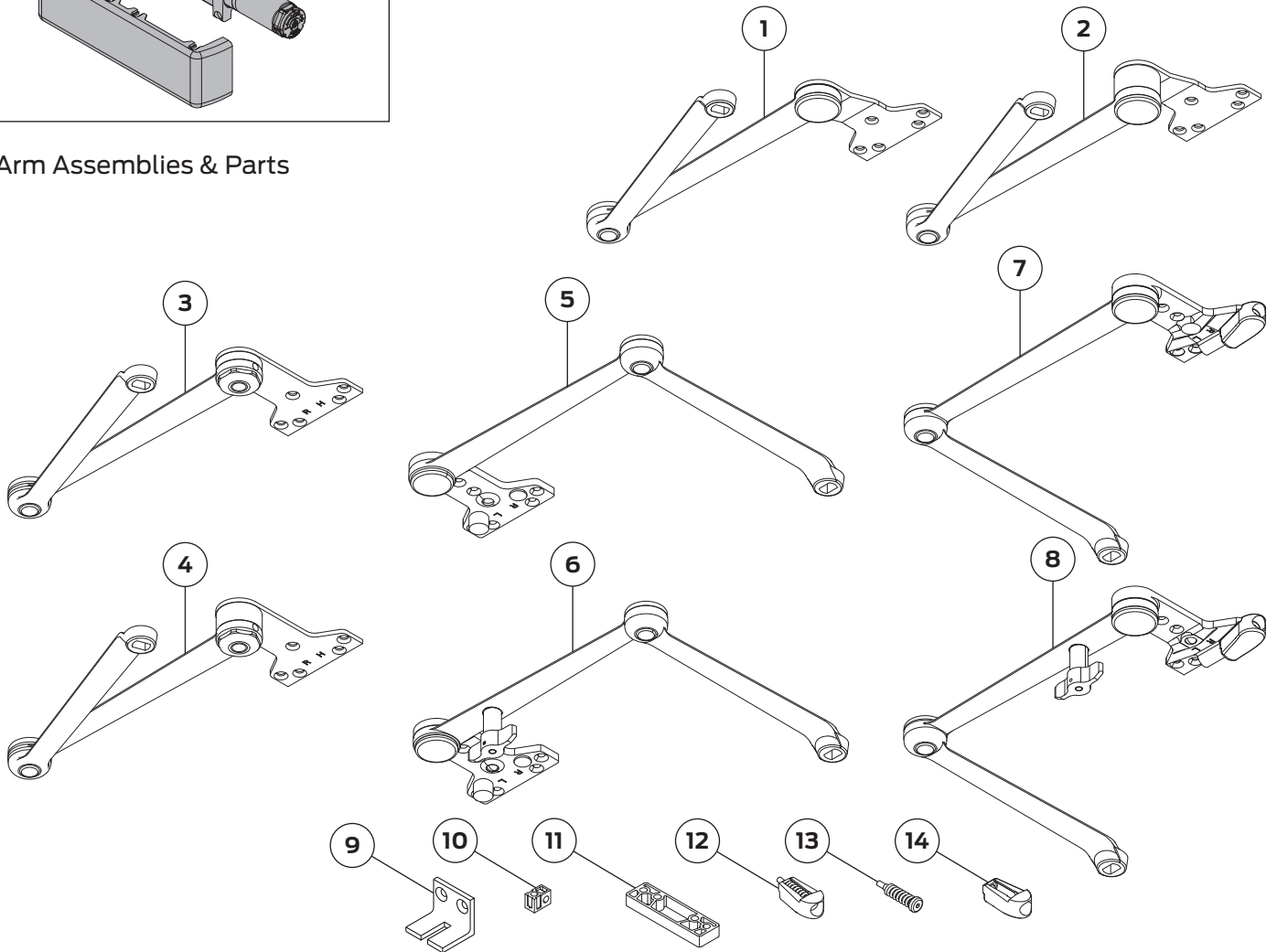
No.	Description	Part number
5	Cover Screw(F)	4110-31
9	Screw Pack (Not Shown)(F)	4110-SRT
10	Screw Pack (Not Shown)(F)	4110-TBSRT
11	Screw Pack (Not Shown)(F)	4110-WMS
12	Screw Pack (Not Shown)(F)	4110-TBWMS
13	Screw Pack (Not Shown)(F)	4110-TORX
14	Screw Pack (Not Shown)(F)	4110-TBTRX

Please specify finish (F), size (S), hand (H), & voltage (V) where indicated. See the latest edition of the LCN catalog for part descriptions and specifications on many of the items shown above. List prices for items shown above can be located in the current LCN price book.

4110 Series "Smoother"



Arm Assemblies & Parts

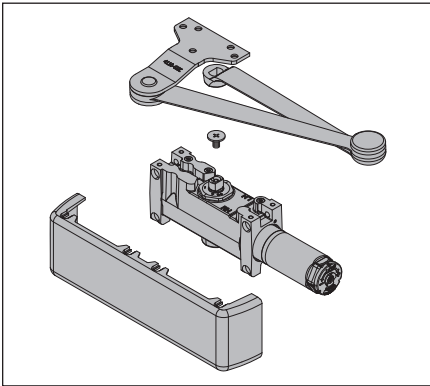


No.	Description	Part number
1	EDA Arm (F)	4110-3077EDA
2	EDA Arm w/62G (F)	4110-3077EDA/G
3	H EDA Arm (F)	4110-3049EDA
4	H EDA Arm w/62G (F)	4110-3049EDA/G
5	Cush Arm (F)	4110-3077CNS
6	H Cush Arm (F)	4110-3049CNS
7	S Cush Arm (F)	4110-3077SCNS

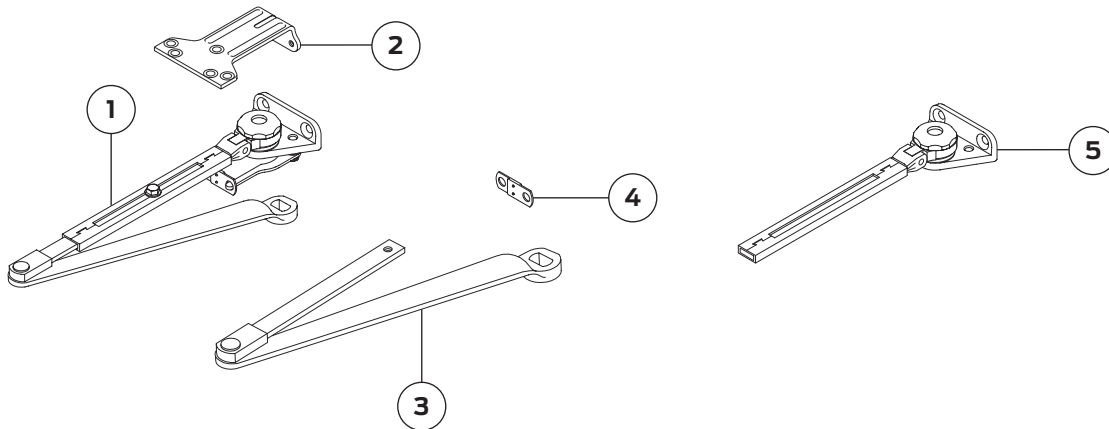
No.	Description	Part number
8	Spring H Cush Arm (F)	4110-3049SCNS
9	Cush Shoe Support (F)	4110-30
10	Fifth Hole Spacer	4110-201
11	Blade Stop Spacer (F)	4110-61
12	Spring Cush Block (incl -58 & -80)	4110-3080
13	Spring & Screw (used with -80)	4110-58
14	Block (used with -58)	4110-80

Please specify finish (F), size (S), hand (H), & voltage (V) where indicated. See the latest edition of the LCN catalog for part descriptions and specifications on many of the items shown above. List prices for items shown above can be located in the current LCN price book.

4110 Series "Smoother"



Arm Assemblies & Parts Cont.

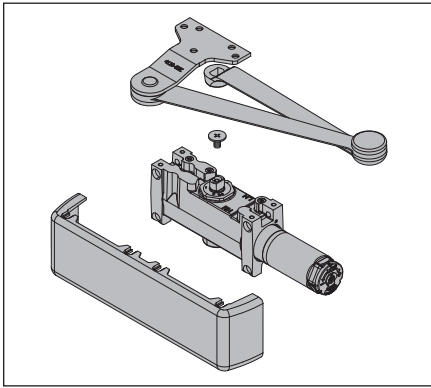


No.	Description	Part number
1	Fusible Link Arm (F)(H)	4110-3049FL
2	PA-FL Shoe (F)	4110-62FL
3	FL Main Arm & Rod (F)	4110-49FL

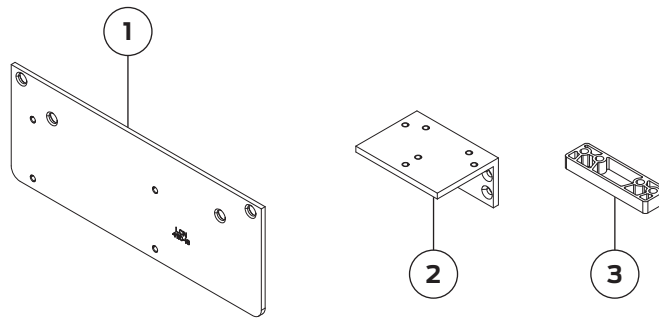
No.	Description	Part number
4	Fusible Link	4110-28
5	FL Head & Tube (F)	4110-3048

Please specify finish (F), size (S), hand (H), & voltage (V) where indicated. See the latest edition of the LCN catalog for part descriptions and specifications on many of the items shown above. List prices for items shown above can be located in the current LCN price book.

4110 Series "Smoothee"



Mounting Plates



No.	Description	Part number
1	Plate (F)	4110-18
1	Plate (F)	4110-18CUSH

No.	Description	Part number
2	Panel Adapter (F)	4110-419
3	Blade Stop Spacer (F)	4110-61

(F) Specify Finish

Please specify finish (F), size (S), hand (H), & voltage (V) where indicated. See the latest edition of the LCN catalog for part descriptions and specifications on many of the items shown above. List prices for items shown above can be located in the current LCN price book.