

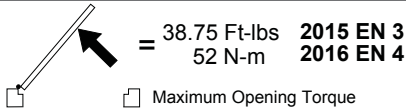


18755

2010 Series

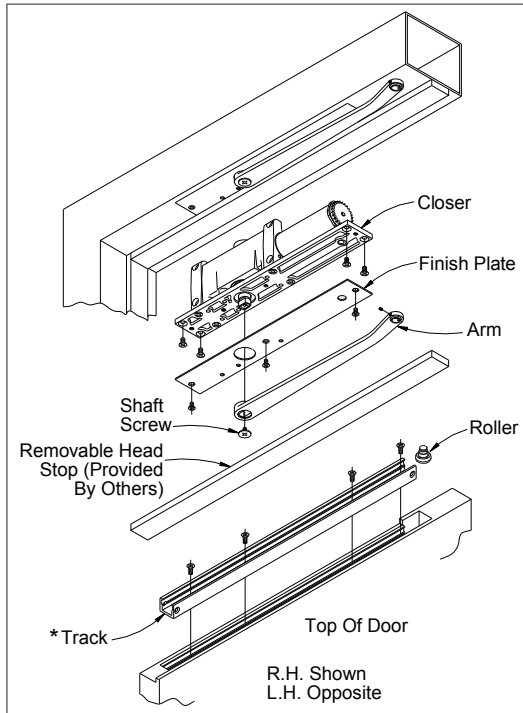
LCN®

Installation Instructions



Instructions

1. Make sure hand of closer and door correspond. Hand of closer is stamped on finish plate. Hand of closer can not be reversed.
2. If door and frame are not prepared for closer and track, prepare to dimensions shown on other side.
3. Install closer in prepared frame with proper screws. Replace finish plate (or frame plate provided by frame manufacturer) and be sure plate is flush with soffit. Place arm on closer shaft and secure with shaft screw. Insert track roller in track. Install track level in door.
4. Hang door on butts. Be sure there is no bind or friction. Open door 45° and pull arm away from stop. Using allen wrench furnished, back out arm set screw to clear arm roller stud. DO NOT DRIVE ARM DOWN OVER ROLLER STUD. Lift end of arm up and over roller and gently fit roller stud into arm. Tighten self locking set screw.



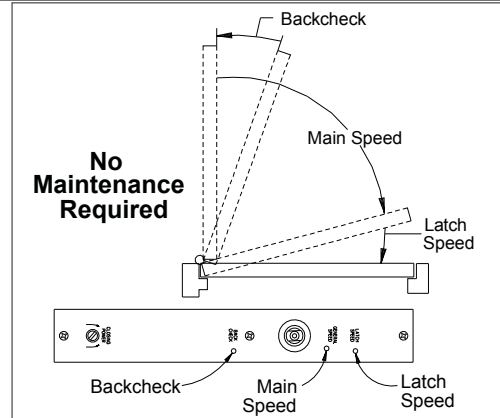
CAUTION

Improper installation or regulation may result in personal injury or property damage. Follow all instructions carefully. For questions, call LCN at 877-671-7011

5. IMPORTANT: Closer has been regulated prior to shipment. Adjust regulation only if necessary. Use a 3/32" hex wrench and to adjust speed (see illustration). To slow main speed of door, turn regulating screw nearest shaft clockwise. To slow latch speed of door, turn regulating screw nearest hinge clockwise. BACKCHECK To increase backcheck intensity, turn regulating screw nearest latch clockwise.

① Do not use abrupt backcheck- nor expect door closer to act as a door stop.

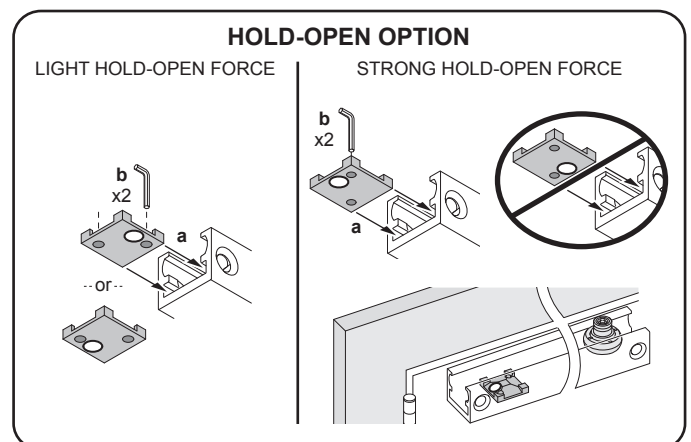
Customer Service
1-877-671-7011 www.allegion.com/us



6. Adjust CLOSING POWER only if more power is needed. Closer is shipped with minimum closing power preset. To increase CLOSING POWER turn spring adjusting screw clockwise. Maximum adjustment is 18 turns.

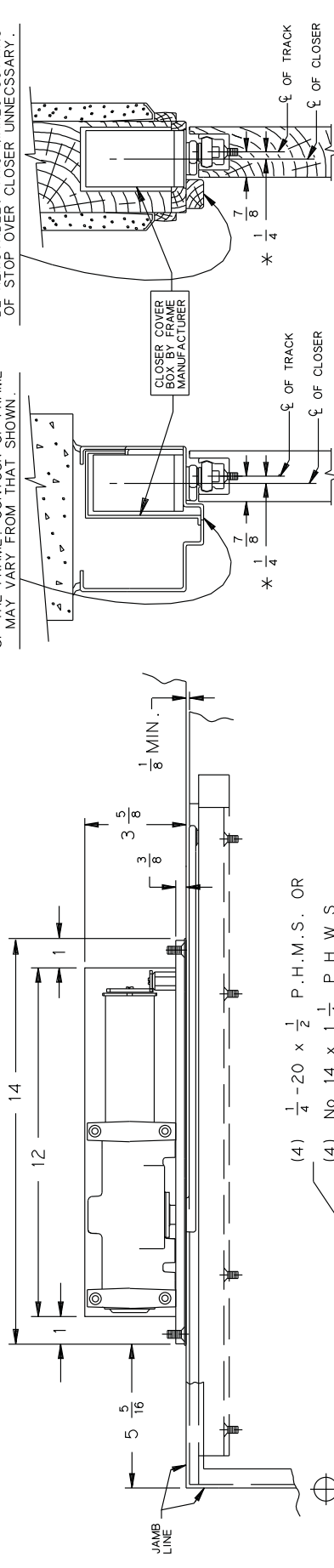
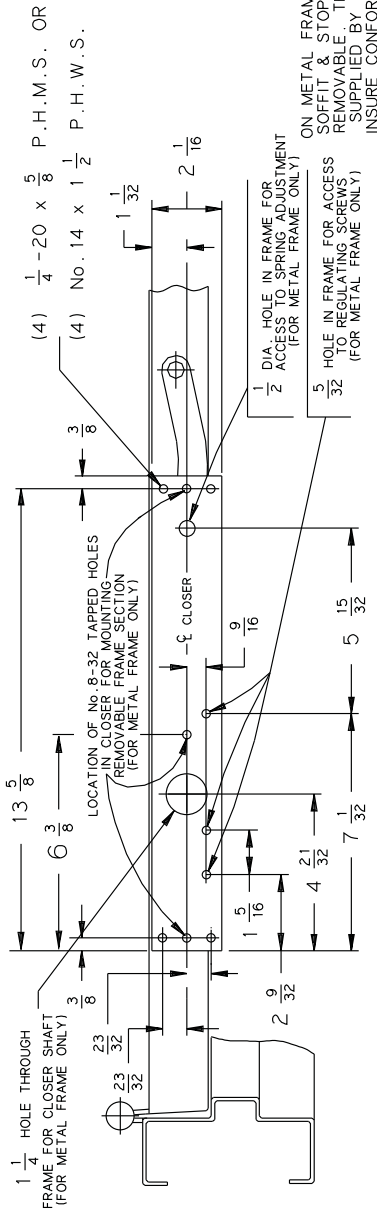
Table of Sizes		
Maximum Door Width		
Exterior Doors	Interior Doors	Catalog No. of Closers
----		2011
30 (765 mm)	38 (965 mm)	2013
36 (915 mm)	48 (1220 mm)	2014
42 (1065 mm)	54 (1370 mm)	2015
48 (1220 mm)	60 (1525 mm)	2016

Hold-Open Information



2011 } NON HOLD OPEN (90° - 180°)
 2014 } H 90 (85° - 110°)
 2015 } MAX. OPENING 180°
 2016 }

AUXILIARY STOP RECOMMENDED



*: 1/4 DIMENSION MAY BE INCREASED TO 7/8 TO ACCOMMODATE VARYING WALL THICKNESSES. SUBMIT DETAILS TO LCN FOR SPECIAL INSTRUCTIONS.

NOTES:

1. FOR 180° OPENINGS, MAX. ALLOWABLE BUTT SIZE IS 5" x 5".
2. MIN. STOP THICKNESS 1/2"
3. 1" DOOR TO SOFFIT CLEARANCE REQUIRED.
4. REINFORCING PER ANSI/SDI-100 RECOMMENDED FOR HOLLOW METAL DOORS & FRAMES.
5. WITH 2" HEADER ON HOLLOW METAL FRAMES, THE HEADFRAME MUST BE MORTISED.

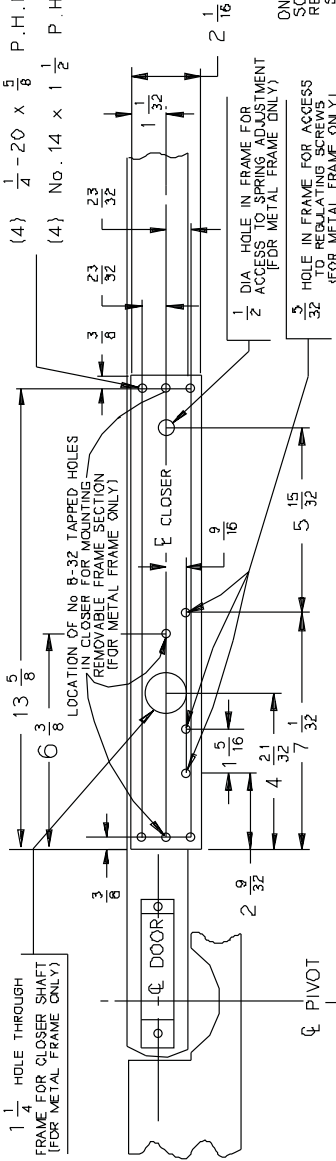
No.	REVISION	BY	DATE
8	TRACK MOUNTING HOLES RELOCATED	DRM	6/90
9	4 IN. HEADER WAS 2 IN.	CTB	11/90
10	REVISED SIZE CHARTS	CTB	6/92
11	SIZE 1 UPDATE / CAD CONVERSION	CTB	1/94
12	REMOVED MOUNTING BRACKETS	AMM	11/97

inch	mm	inch	mm	inch	mm	inch	mm	inch	mm	inch	mm	inch	mm
1 1/2	38	1 1/4	32	1 1/8	29	1 1/16	28	1 1/32	27	1 1/64	26	1 1/128	25
1 1/4	36	1 1/8	30	1 1/16	28	1 1/32	27	1 1/64	26	1 1/128	25	1 1/256	24
1 1/8	32	1 1/16	27	1 1/32	26	1 1/64	25	1 1/128	24	1 1/256	23	1 1/512	22
1 1/16	25	1 1/32	24	1 1/64	23	1 1/128	22	1 1/256	21	1 1/512	20	1 1/1024	19
1 1/32	24	1 1/64	23	1 1/128	22	1 1/256	21	1 1/512	20	1 1/1024	19	1 1/2048	18
1 1/64	23	1 1/128	22	1 1/256	21	1 1/512	20	1 1/1024	19	1 1/2048	18	1 1/4096	17
1 1/128	22	1 1/256	21	1 1/512	20	1 1/1024	19	1 1/2048	18	1 1/4096	17	1 1/8192	16
1 1/256	21	1 1/512	20	1 1/1024	19	1 1/2048	18	1 1/4096	17	1 1/8192	16	1 1/16384	15
1 1/512	20	1 1/1024	19	1 1/2048	18	1 1/4096	17	1 1/8192	16	1 1/16384	15	1 1/32768	14
1 1/1024	19	1 1/2048	18	1 1/4096	17	1 1/8192	16	1 1/16384	15	1 1/32768	14	1 1/65536	13
1 1/2048	18	1 1/4096	17	1 1/8192	16	1 1/16384	15	1 1/32768	14	1 1/65536	13	1 1/131072	12
1 1/4096	17	1 1/8192	16	1 1/16384	15	1 1/32768	14	1 1/65536	13	1 1/131072	12	1 1/262144	11
1 1/8192	16	1 1/16384	15	1 1/32768	14	1 1/65536	13	1 1/131072	12	1 1/262144	11	1 1/524288	10
1 1/16384	15	1 1/32768	14	1 1/65536	13	1 1/131072	12	1 1/262144	11	1 1/524288	10	1 1/1048576	9
1 1/32768	14	1 1/65536	13	1 1/131072	12	1 1/262144	11	1 1/524288	10	1 1/1048576	9	1 1/2097152	8
1 1/65536	13	1 1/131072	12	1 1/262144	11	1 1/524288	10	1 1/1048576	9	1 1/2097152	8	1 1/4194304	7
1 1/131072	12	1 1/262144	11	1 1/524288	10	1 1/1048576	9	1 1/2097152	8	1 1/4194304	7	1 1/8388608	6
1 1/262144	11	1 1/524288	10	1 1/1048576	9	1 1/2097152	8	1 1/4194304	7	1 1/8388608	6	1 1/16777216	5
1 1/524288	10	1 1/1048576	9	1 1/2097152	8	1 1/4194304	7	1 1/8388608	6	1 1/16777216	5	1 1/33554432	4
1 1/1048576	9	1 1/2097152	8	1 1/4194304	7	1 1/8388608	6	1 1/16777216	5	1 1/33554432	4	1 1/67108864	3
1 1/2097152	8	1 1/4194304	7	1 1/8388608	6	1 1/16777216	5	1 1/33554432	4	1 1/67108864	3	1 1/134217728	2
1 1/4194304	7	1 1/8388608	6	1 1/16777216	5	1 1/33554432	4	1 1/67108864	3	1 1/134217728	2	1 1/268435456	1

2011 CP } NON HOLD OPEN (UP TO 120°)
 2013 CP } H 90 - (75° TO 95°)
 2014 CP } MAX. OPENING 120°
 2015 CP }
 2016 CP }

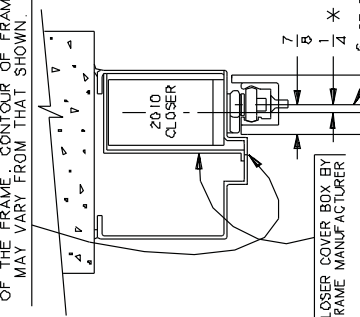
AUXILIARY STOP RECOMMENDED
 LEFT HAND DOOR AND CLOSER SHOWN, RIGHT HAND OPPOSITE 6/96

(4) 1/4 - 20 x 5/8 P.H.M.S. OR
 (4) No. 14 x 1 1/2 P.H.W.S.



ON METAL FRAMING, THE SECTION OF SOFFIT STOP CLOSER MUST BE REMOVABLE. THIS SECTION MUST BE SUPPLIED BY THE FRAME MFR TO INSURE CONFORMITY WITH REMAINDER OF THE FRAME CONTOUR OF FRAME MAY VARY FROM THAT SHOWN.

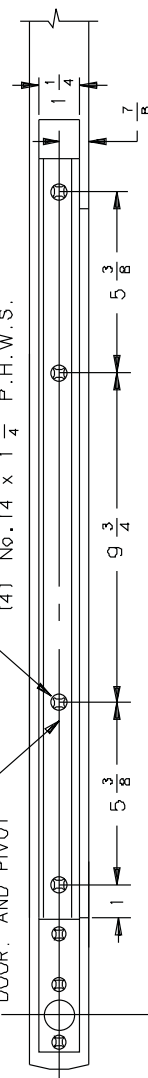
ON TUBE FRAMING A METAL FINISH PLY MUST BE SUPPLIED BY LCN CLOSERS TO COVER THE ENTIRE HEAD STOP. STOP MUST BE REMOVABLE. THIS SHOULD BE SCREWED IN PLACE SO IT WILL BE REMOVABLE. THIS MAKES CUTTING OF STOP OVER CLOSER UNNECESSARY.



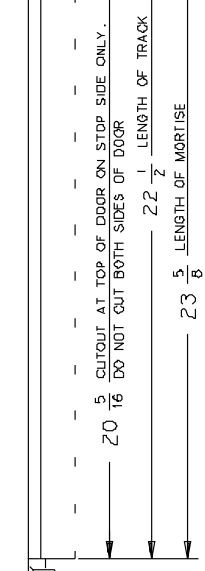
PLAN & ELEVATION OF FRAME SHOWING PREPARATION FOR 2010 CLOSER

(4) 1/4 - 20 x 1/2 P.H.M.S. OR
 (4) No. 14 x 1 1/4 P.H.W.S.

CENTERLINE OF TRACK, DOOR, AND PIVOT



PLAN & ELEVATION OF TOP OF DOOR SHOWING PREPARATION FOR CLOSER TRACK



* : 1/4 DIMENSION MAY BE INCREASED TO ACCOMMODATE VARYING WALL THICKNESSES. SUBMIT DETAILS TO LCN FOR SPECIAL INSTRUCTIONS.

- NOTES -
- 1 - MINIMUM STOP THICKNESS 1/2"
 - 2 - 1/8" DOOR TO SOFFIT CLEARANCE REQUIRED.
 - 3 - REINFORCING PER ANSI/SDI-100 RECOMMENDED FOR HOLLOW METAL DOOR AND FRAMES.
 - 4 - THIS PRODUCT REQUIRES A 4" MINIMUM FRAME HEADER CONSULT FACTORY IF HEAD JAMB IS LESS THAN 4"

No	REVISION	BY	DATE	APP BY
1	CAD CONVERSION	CTB	6/93	JEJ 6/96
2	TEMPLATE UPDATE	JEJ	6/96	DO NOT SCALE
3	TEMPLATE UPDATE	AMM	2/98	
4	REMOVED PIVOT INFO.	AMM	5/01	

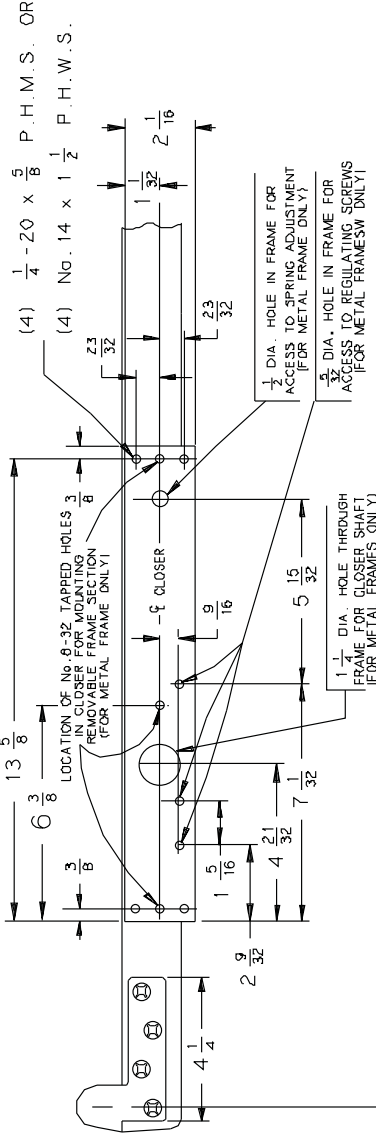
inch	mm	3/4	1	1 1/8	1 1/4	1 3/8	1 1/2	1 5/8	1 3/4	1 7/8	2	2 1/8	2 1/4	2 3/8	2 1/2	2 5/8	3	3 1/8	3 1/4	3 3/8	3 1/2	3 5/8	4	4 1/8	4 1/4	4 3/8	4 1/2	4 5/8	5	5 1/8	5 1/4	5 3/8	5 1/2	5 5/8	6	6 1/8	6 1/4	6 3/8	6 1/2	6 5/8	7	7 1/8	7 1/4	7 3/8	7 1/2	7 5/8	8	8 1/8	8 1/4	8 3/8	8 1/2	8 5/8	9	9 1/8	9 1/4	9 3/8	9 1/2	9 5/8	10	10 1/8	10 1/4	10 3/8	10 1/2	10 5/8	11	11 1/8	11 1/4	11 3/8	11 1/2	11 5/8	12	12 1/8	12 1/4	12 3/8	12 1/2	12 5/8	13	13 1/8	13 1/4	13 3/8	13 1/2	13 5/8	14	14 1/8	14 1/4	14 3/8	14 1/2	14 5/8	15	15 1/8	15 1/4	15 3/8	15 1/2	15 5/8	16	16 1/8	16 1/4	16 3/8	16 1/2	16 5/8	17	17 1/8	17 1/4	17 3/8	17 1/2	17 5/8	18	18 1/8	18 1/4	18 3/8	18 1/2	18 5/8	19	19 1/8	19 1/4	19 3/8	19 1/2	19 5/8	20	20 1/8	20 1/4	20 3/8	20 1/2	20 5/8	21	21 1/8	21 1/4	21 3/8	21 1/2	21 5/8	22	22 1/8	22 1/4	22 3/8	22 1/2	22 5/8	23	23 1/8	23 1/4	23 3/8	23 1/2	23 5/8	24	24 1/8	24 1/4	24 3/8	24 1/2	24 5/8	25	25 1/8	25 1/4	25 3/8	25 1/2	25 5/8	26	26 1/8	26 1/4	26 3/8	26 1/2	26 5/8	27	27 1/8	27 1/4	27 3/8	27 1/2	27 5/8	28	28 1/8	28 1/4	28 3/8	28 1/2	28 5/8	29	29 1/8	29 1/4	29 3/8	29 1/2	29 5/8	30	30 1/8	30 1/4	30 3/8	30 1/2	30 5/8	31	31 1/8	31 1/4	31 3/8	31 1/2	31 5/8	32	32 1/8	32 1/4	32 3/8	32 1/2	32 5/8	33	33 1/8	33 1/4	33 3/8	33 1/2	33 5/8	34	34 1/8	34 1/4	34 3/8	34 1/2	34 5/8	35	35 1/8	35 1/4	35 3/8	35 1/2	35 5/8	36	36 1/8	36 1/4	36 3/8	36 1/2	36 5/8	37	37 1/8	37 1/4	37 3/8	37 1/2	37 5/8	38	38 1/8	38 1/4	38 3/8	38 1/2	38 5/8	39	39 1/8	39 1/4	39 3/8	39 1/2	39 5/8	40	40 1/8	40 1/4	40 3/8	40 1/2	40 5/8	41	41 1/8	41 1/4	41 3/8	41 1/2	41 5/8	42	42 1/8	42 1/4	42 3/8	42 1/2	42 5/8	43	43 1/8	43 1/4	43 3/8	43 1/2	43 5/8	44	44 1/8	44 1/4	44 3/8	44 1/2	44 5/8	45	45 1/8	45 1/4	45 3/8	45 1/2	45 5/8	46	46 1/8	46 1/4	46 3/8	46 1/2	46 5/8	47	47 1/8	47 1/4	47 3/8	47 1/2	47 5/8	48	48 1/8	48 1/4	48 3/8	48 1/2	48 5/8	49	49 1/8	49 1/4	49 3/8	49 1/2	49 5/8	50	50 1/8	50 1/4	50 3/8	50 1/2	50 5/8	51	51 1/8	51 1/4	51 3/8	51 1/2	51 5/8	52	52 1/8	52 1/4	52 3/8	52 1/2	52 5/8	53	53 1/8	53 1/4	53 3/8	53 1/2	53 5/8	54	54 1/8	54 1/4	54 3/8	54 1/2	54 5/8	55	55 1/8	55 1/4	55 3/8	55 1/2	55 5/8	56	56 1/8	56 1/4	56 3/8	56 1/2	56 5/8	57	57 1/8	57 1/4	57 3/8	57 1/2	57 5/8	58	58 1/8	58 1/4	58 3/8	58 1/2	58 5/8	59	59 1/8	59 1/4	59 3/8	59 1/2	59 5/8	60	60 1/8	60 1/4	60 3/8	60 1/2	60 5/8
------	----	-----	---	-------	-------	-------	-------	-------	-------	-------	---	-------	-------	-------	-------	-------	---	-------	-------	-------	-------	-------	---	-------	-------	-------	-------	-------	---	-------	-------	-------	-------	-------	---	-------	-------	-------	-------	-------	---	-------	-------	-------	-------	-------	---	-------	-------	-------	-------	-------	---	-------	-------	-------	-------	-------	----	--------	--------	--------	--------	--------	----	--------	--------	--------	--------	--------	----	--------	--------	--------	--------	--------	----	--------	--------	--------	--------	--------	----	--------	--------	--------	--------	--------	----	--------	--------	--------	--------	--------	----	--------	--------	--------	--------	--------	----	--------	--------	--------	--------	--------	----	--------	--------	--------	--------	--------	----	--------	--------	--------	--------	--------	----	--------	--------	--------	--------	--------	----	--------	--------	--------	--------	--------	----	--------	--------	--------	--------	--------	----	--------	--------	--------	--------	--------	----	--------	--------	--------	--------	--------	----	--------	--------	--------	--------	--------	----	--------	--------	--------	--------	--------	----	--------	--------	--------	--------	--------	----	--------	--------	--------	--------	--------	----	--------	--------	--------	--------	--------	----	--------	--------	--------	--------	--------	----	--------	--------	--------	--------	--------	----	--------	--------	--------	--------	--------	----	--------	--------	--------	--------	--------	----	--------	--------	--------	--------	--------	----	--------	--------	--------	--------	--------	----	--------	--------	--------	--------	--------	----	--------	--------	--------	--------	--------	----	--------	--------	--------	--------	--------	----	--------	--------	--------	--------	--------	----	--------	--------	--------	--------	--------	----	--------	--------	--------	--------	--------	----	--------	--------	--------	--------	--------	----	--------	--------	--------	--------	--------	----	--------	--------	--------	--------	--------	----	--------	--------	--------	--------	--------	----	--------	--------	--------	--------	--------	----	--------	--------	--------	--------	--------	----	--------	--------	--------	--------	--------	----	--------	--------	--------	--------	--------	----	--------	--------	--------	--------	--------	----	--------	--------	--------	--------	--------	----	--------	--------	--------	--------	--------	----	--------	--------	--------	--------	--------	----	--------	--------	--------	--------	--------	----	--------	--------	--------	--------	--------	----	--------	--------	--------	--------	--------	----	--------	--------	--------	--------	--------	----	--------	--------	--------	--------	--------	----	--------	--------	--------	--------	--------	----	--------	--------	--------	--------	--------

LCN

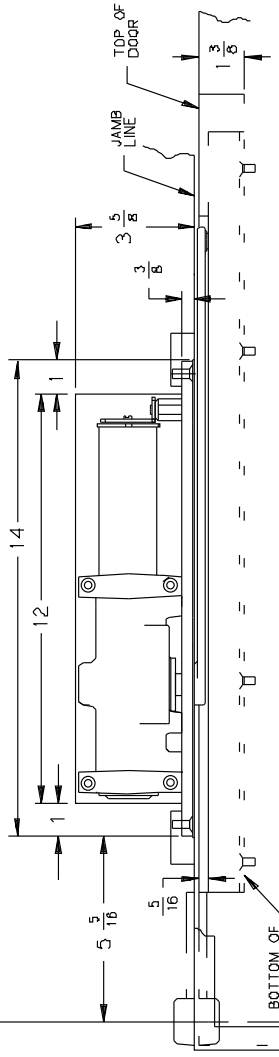
OVERHEAD CONCEALED CLOSER, ARM & TRACK WITH CENTER PIVOTS
 2010-CP

2011 OP } NON HOLD OPEN (up to 110°)
 2013 OP }
 2014 OP } H-90 (75° to 90°)
 2015 OP } MAX. OPENING 110°
 2016 OP }

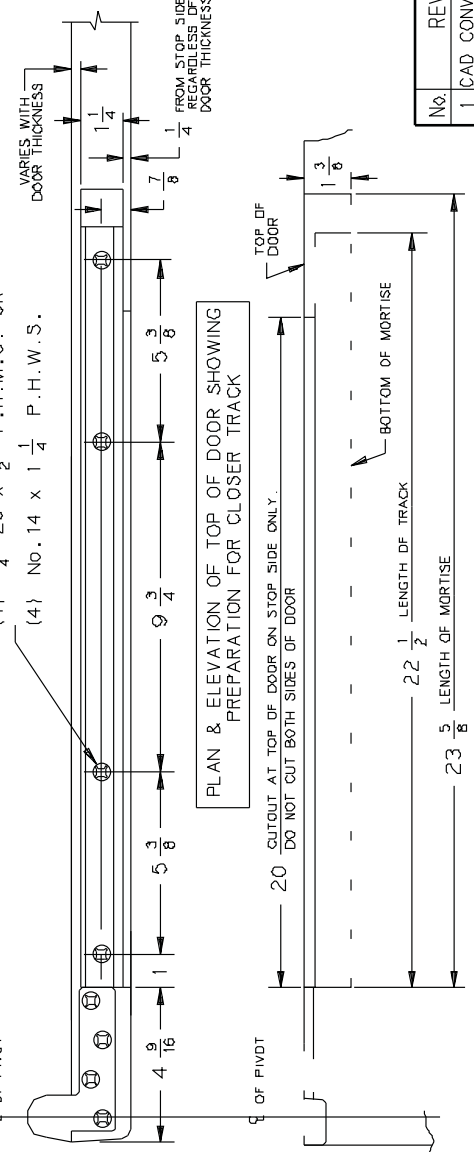
AUXILIARY STOP RECOMMENDED
 LEFT HAND DOOR AND CLOSER SHOWN, RIGHT HAND OPPOSITE 6/96



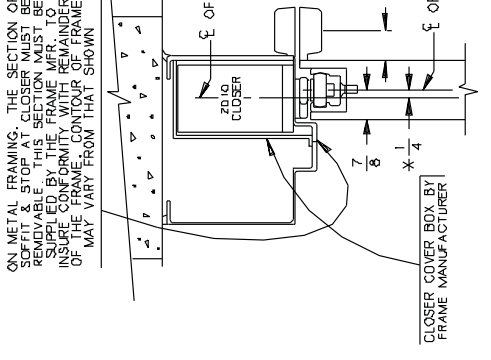
PLAN & ELEVATION OF FRAME SHOWING PREPARATION FOR 2010 CLOSER



PLAN & ELEVATION OF TOP OF DOOR SHOWING PREPARATION FOR CLOSER TRACK



INCH	1/8	1/4	3/8	1/2	5/8	3/4	7/8	1	1 1/8	1 1/4	1 3/8	1 1/2	1 5/8	1 3/4	2	2 1/8	2 1/4	2 3/8	2 1/2
mm	2	6	10	14	16	18	19	22	25	26	27	32	33	35	52	58	58	58	58
inch	2 3/8	3 1/4	4 1/8	5 1/8	5 3/8	6 1/8	7 1/8	7 1/4	9 1/8	9 1/2	10 1/8	11 1/8	12 1/8	13 1/8	20	22 1/8	23 1/8	23 3/8	23 3/8
mm	86	92	108	116	118	135	137	139	179	184	248	305	337	356	508	572	600	600	600



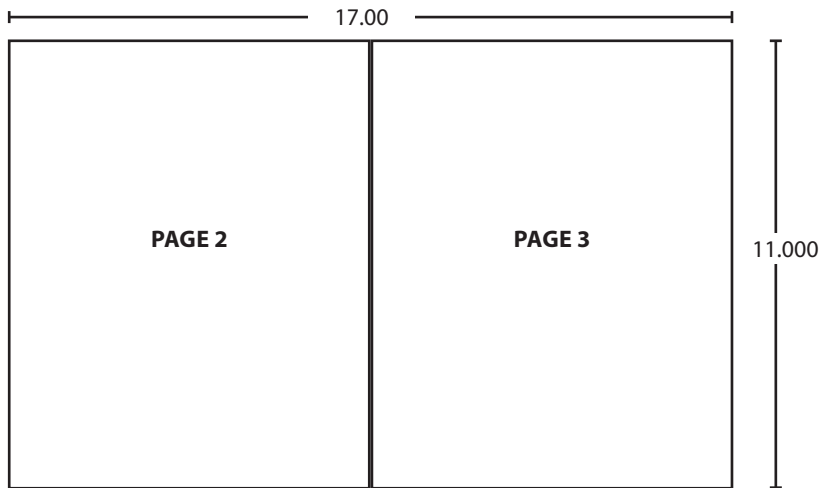
ON TUBE FRAMING A METAL FINISH PLATE IS SUPPLIED BY LCN. CLOSERS TO COVER ENTIRE CLOSER. IF APPLIED TO COVER ENTIRE CLOSER, IT SHOULD BE SECURED IN PLACE SO IT WILL BE REMOVABLE. THIS MAKES CUTTING OF STOP OVER CLOSER UNNECESSARY.

* X: 1/4 DIMENSION MAY BE INCREASED TO ACCOMMODATE VARYING WALL THICKNESSES. SUBMIT DETAILS TO LCN FOR SPECIAL INSTRUCTIONS.

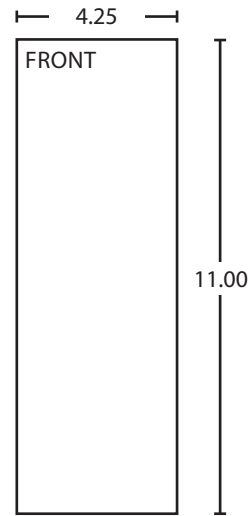
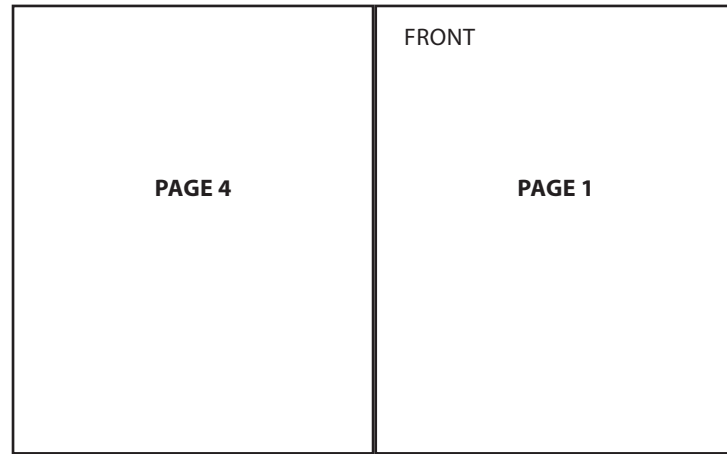
- NOTES -
- 1 - 1/8" DOOR TO STOP CLEARANCE REQUIRED.
 - 2 - REINFORCING PER ANSI/SPI-100 RECOMMENDED FOR HOLLOW METAL DOOR AND FRAMES.
 - 3 - MINIMUM STOP THICKNESS 1/2"
 - 4 - THIS PRODUCT REQUIRES A 4" MINIMUM FRAME HEADER. CONSULT FACTORY IF HEAD JAMB IS LESS THAN 4"

No.	REVISION	BY	DATE	APP
1	CAD CONVERSION	CTB	6/93	By JEJ 6/96
2	TEMPLATE UPDATES	JEJ	6/96	DO NOT SCALE
3	TEMPLATE UPDATES	AMM	2/98	OVERHEAD CONCEALED CLOSER WITH CONCEALED ARM & OFFSET PIVOTS
4	TEMPLATE UPDATES	AMM	9/99	2010-OP
5	REMOVE PIVOT INFO.	AMM	5/01	

LCN®
 OVERHEAD CONCEALED CLOSER WITH CONCEALED ARM & OFFSET PIVOTS
 2010-OP



BEGINNING SHEET



FOLDED SHEET

Additional Notes:
1. None

Revision History						Revision Description: K > Revised artwork							
J	K	L	M	N	P								
043228													
Material White Paper						Edited By J. Ellis		Approved By J. Pattar		EC Number	Release Date 10-14-15		
Notes 1. printed two sides 2. printed black 3. tolerance ± .13 4. printed in country may vary 5. drawings not to scale						Title 2010 Series Instruction Sheet							
						Creation Date 05-10-10		Number 18755			Revision K		
						Created By N/A		Activity 3899 Hancock Expwy Security, CO 80911		© Allegion 2015			
						Software: InDesign CS6							