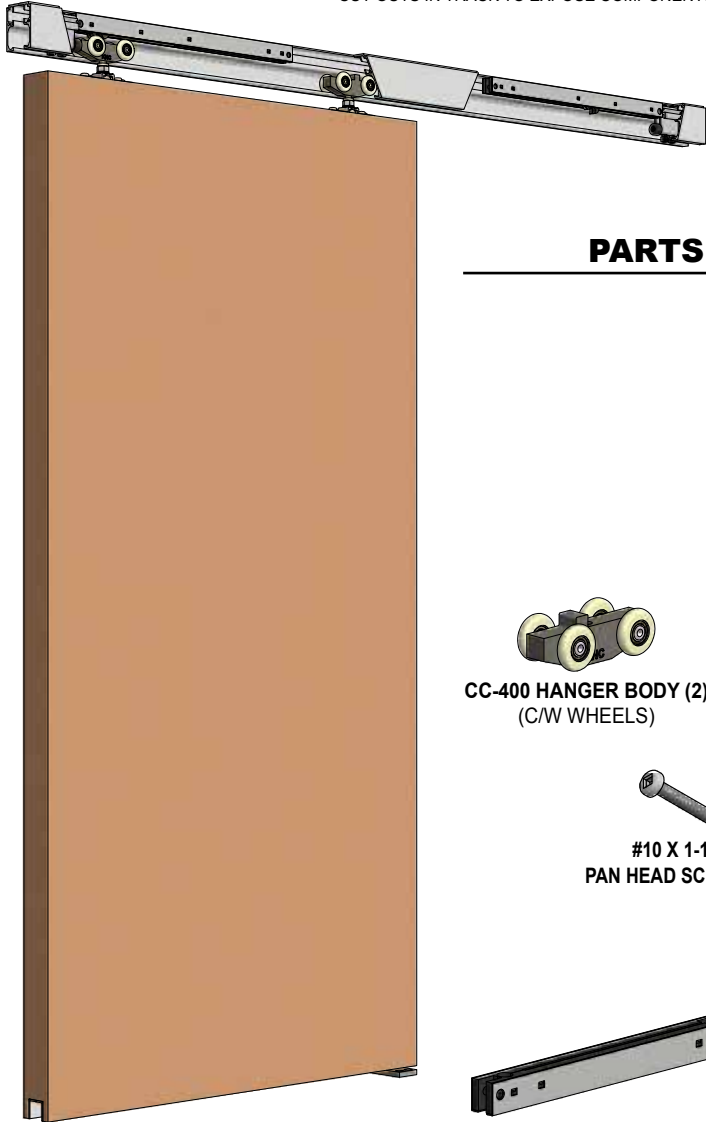


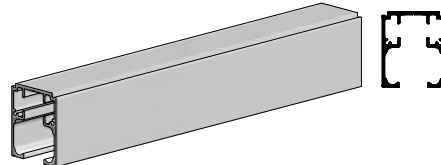
(COMPLETE CC-493-W KIT ILLUSTRATED.
CUT-OUTS IN TRACK TO EXPOSE COMPONENTS)



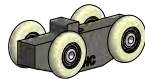
CROWDERTRACK'S CATCH'N'CLOSE™ SYSTEM

- PREVENTS BOUNCING AND SLAMMING OF SLIDING DOORS.
- CAN BE INSTALLED ON BOTH OPENING AND CLOSING ENDS OF DOORS AS NARROW AS 18" WIDE.
- CYCLE TESTED UP TO 50,000 TIMES
- UP TO 150LBS DOORS USING THE CC-493 WITH CC-1.

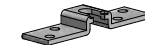
PARTS LIST (FOR STANDARD CC-493 1DR KIT)



CC-404 TOP MOUNT TRACK X LENGTH (1)
(LENGTH = 2 X DOOR WIDTH, EXAMPLE:
36" [914MM] DOOR = 72" [1829MM] TRACK)



CC-400 HANGER BODY (2)
(C/W WHEELS)



CC-493 TOP PLATE (2)



CC-493 NYLON SPACER (2)



CC-493 LOCK WASHER NUT (2)



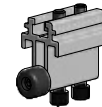
CC-493 SQUARE HEAD BOLT X 1-1/2" (2)



#10 X 1-1/4" PAN HEAD SCREWS (8)



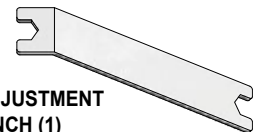
#10 X 1-1/2" SELF DRILLING SCREWS (4)



CC-100 CATCH'N'CLOSE IN-TRACK STOPS (2)



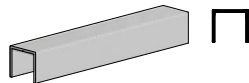
CC-75 OR CC-1 CATCH'N'CLOSE CLOSING DEVICE (2)
(SEE DETAILS IN INSTRUCTION STEPS)



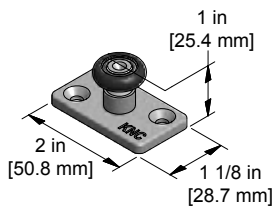
CP-400 ADJUSTMENT WRENCH (1)

INCLUDED GUIDE SYSTEM PARTS LIST (BASED ON KIT CODE ORDERED)

CC-493-W KITS



C-914 GUIDE CHANNEL X LENGTH (1)
(LENGTH = DOOR WIDTH, EXAMPLE:
36" [914MM] DOOR = 36" [914MM] GUIDE CHANNEL)



C-913 FLOOR GUIDE (1)

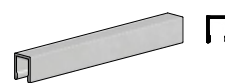


#8 X 3/4" PAN HEAD SCREWS (4)

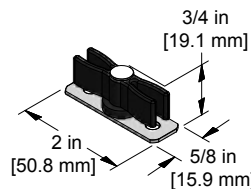


#10 X 1-3/4" FLATHEAD SCREWS (2)

CC-493-B KITS



C-201 GUIDE CHANNEL X LENGTH (1)
(LENGTH = DOOR WIDTH, EXAMPLE:
36" [914MM] DOOR = 36" [914MM] GUIDE CHANNEL)

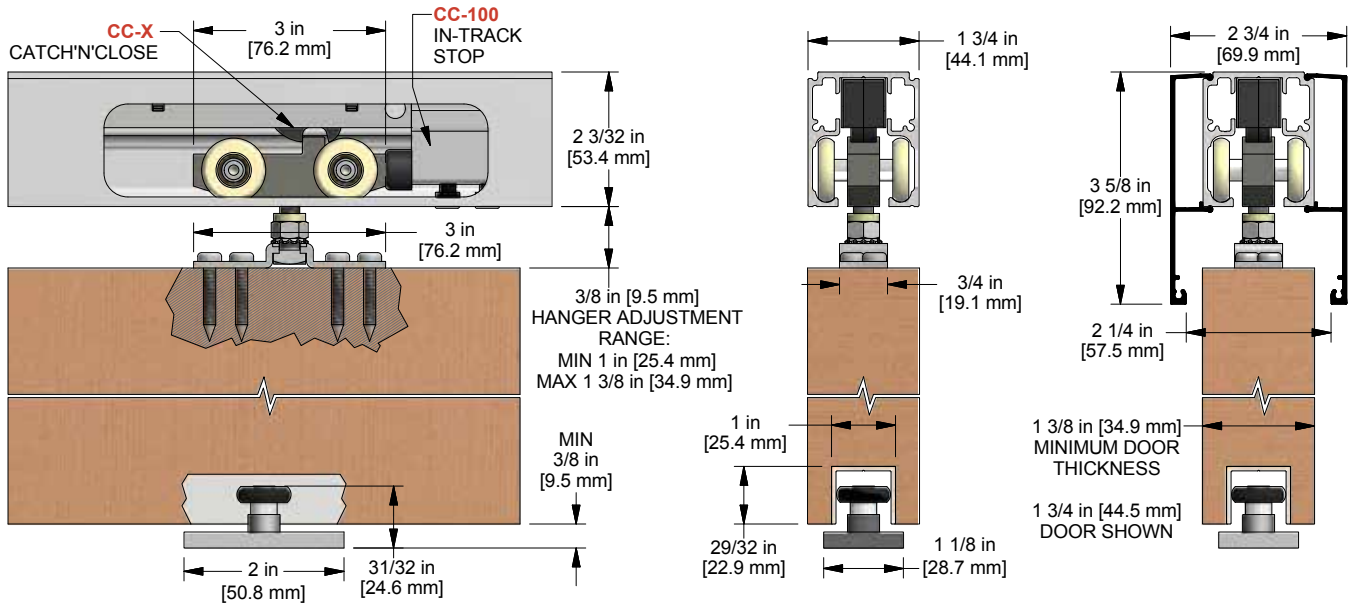


C-200 FLOOR GUIDE (1)

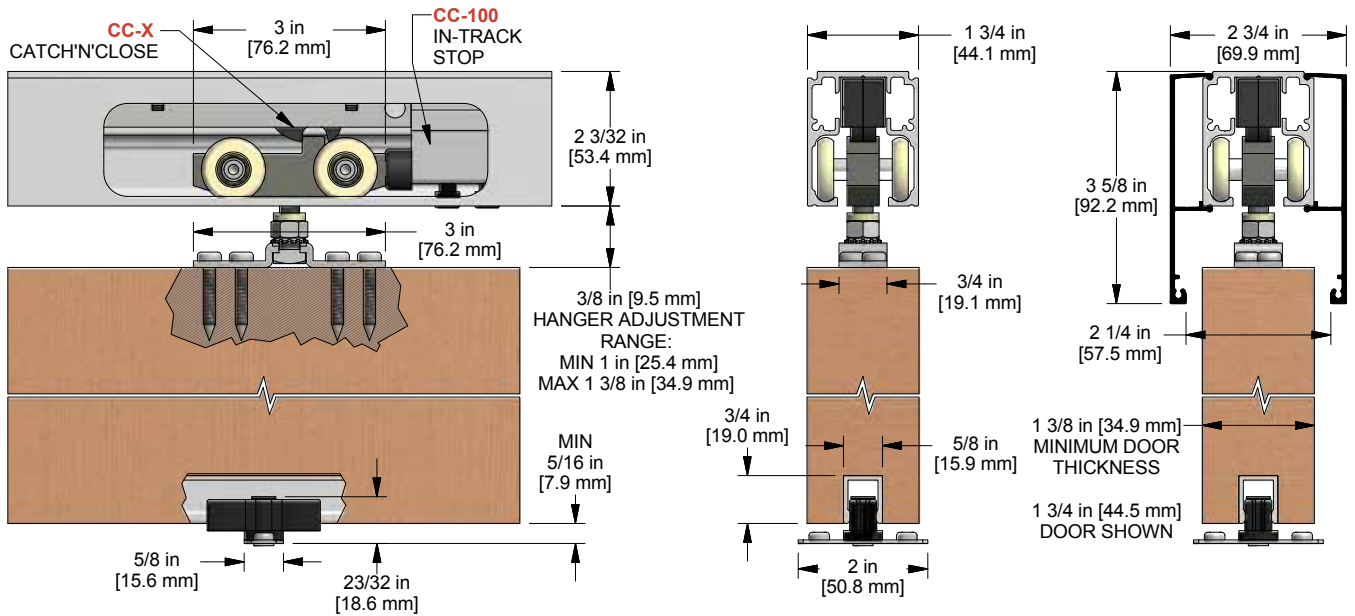


#8 X 3/4" PAN HEAD SCREWS (6)

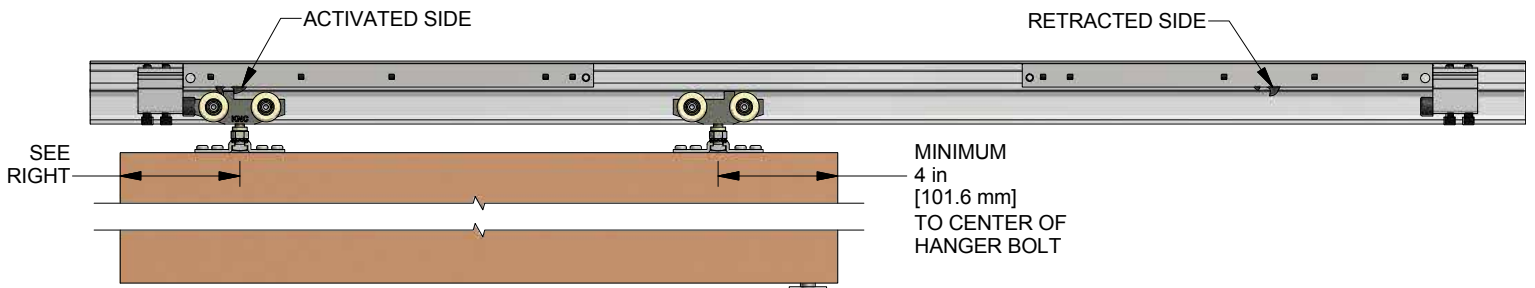
CC-493-W KIT DETAILS (CC-493 HANGER, CC-404 TRACK, C-914/C-913 GUIDE SYSTEM)



CC-493-B KIT DETAILS (CC-493 HANGER, CC-404 TRACK, C-201/C-200 GUIDE SYSTEM)



ELEVATION VIEW OF COMPLETE INSTALLATION



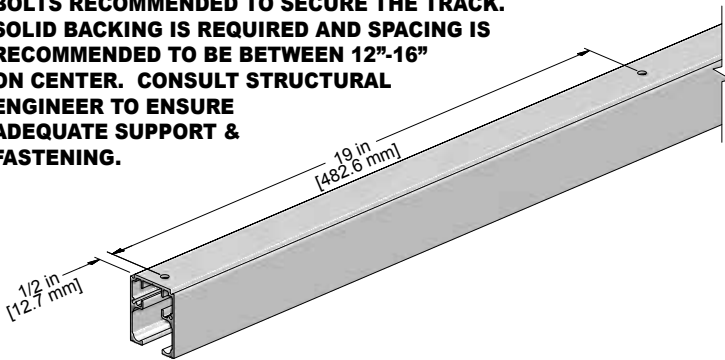
STEP #1:

DETERMINE DOOR SIZE, HEADER HEIGHT & TRACK POSITION, CLEARANCE REQUIRED AT THE BOTTOM BASED ON THE KIT CODE ORDERED BY USING THE DIMENSIONS SHOW IN THE DETAIL VIEWS ON THE PREVIOUS PAGE.

STEP #2:

NOTE: IF ACCESS TO THE ENDS OF THE TRACK IS NOT AVAILABLE, STEPS #3&4 MUST BE COMPLETED BEFORE STEP #2.

CUT CC-404 ALUMINUM TRACK TO SIZE IF REQUIRED (TYPICALLY 2 X THE DOOR WIDTH). LOCATE AND PRE-DRILL HOLES THROUGH THE CENTER OF THE TRACK FOR SECURING TO THE STRUCTURAL SUPPORT. SECURE TRACK TO STRUCTURAL SUPPORT/HEADER. **NOTE: STARTING HOLE LOCATIONS AT EACH END OF THE TRACK SHOULD BE 1/2" FROM END AND THEN 19" FROM THE FIRST HOLE. THIS WILL PREVENT INTERFERENCE WITH THE CATCH'N'CLOSE INSTALLATION (SEE ILLUSTRATION BELOW). MINIMUM #10 SCREWS OR 1/4" STRUCTURAL BOLTS RECOMMENDED TO SECURE THE TRACK. SOLID BACKING IS REQUIRED AND SPACING IS RECOMMENDED TO BE BETWEEN 12"-16" ON CENTER. CONSULT STRUCTURAL ENGINEER TO ENSURE ADEQUATE SUPPORT & FASTENING.**

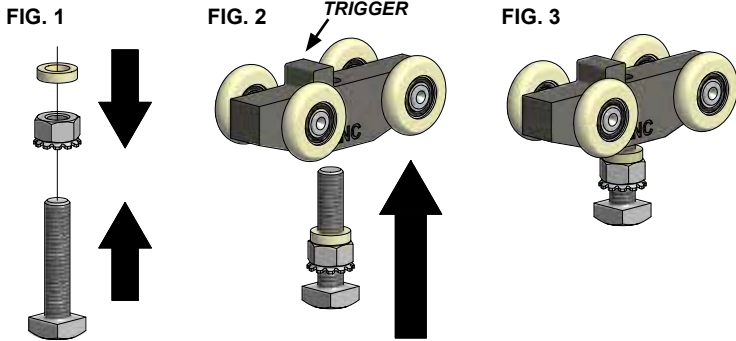


STEP #3:

ASSEMBLE THE CC-493 CATCH'N'CLOSE HANGERS AS SHOWN BELOW: **FIG. 1 -** THREAD CC-493 LOCK WASHER NUT ONTO CC-493 SQUARE HEAD BOLT X 1-1/2" WITH LOCK WASHER FACING BOLT HEAD. SLIDE CC-493 NYLON WASHER ONTO BOLT AND REST AGAINST LOCK WASHER NUT.

FIG. 2 - THREAD ASSEMBLY FROM FIG. 1 INTO CC-400 HANGER BODY FROM THE UNDERSIDE (SIDE OPPOSITE THE TRIGGER).

FIG. 3 - COMPLETE CC-493 HANGER ASSEMBLY (2 X REQUIRED).

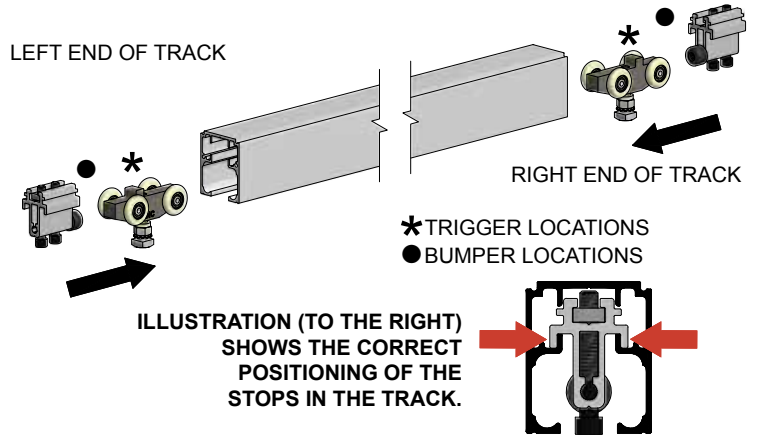


STEP #4:

SLIDE THE TWO CC-493 HANGER ASSEMBLIES (FIG.3 FROM STEP #3) INTO THE TRACK AS SHOWN BELOW. **NOTE: THE CC-493 HAVE TRIGGERS BUILT INTO THE HANGER. WHEN INSTALLING, THE TRIGGERS MUST BE ORIENTED AS SHOWN IN THE ILLUSTRATION BELOW * . THE TRIGGER MUST BE CLOSEST TO THE END OF THE TRACK.**

INSERT THE CC-100 CATCH'N'CLOSE IN-TRACK STOPS AT EACH END AFTER THE HANGERS HAVE BEEN PLACED INTO THE TRACK.

NOTE: LEAVE THE STOP SCREWS LOOSE TO ALLOW THE STOPS TO SLIDE FREELY WITHIN THE TRACK. THE RUBBER BUMPERS OF EACH STOP SHOULD FACE INWARD (TOWARD THE MIDDLE OF THE TRACK ●).



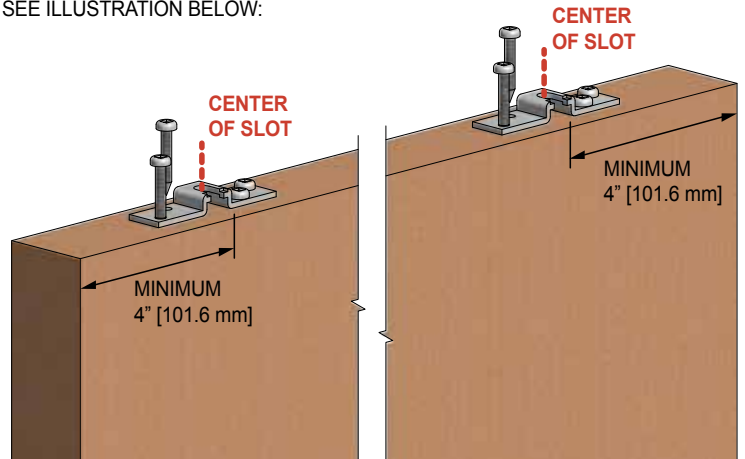
SEE FIGURE ABOVE FOR PROPER INSTALLATION.

!!!WARNING!!!

IF HANGER BODIES AND STOPS ARE NOT INSTALLED AS SHOWN ABOVE, SYSTEM WILL NOT FUNCTION PROPERLY.

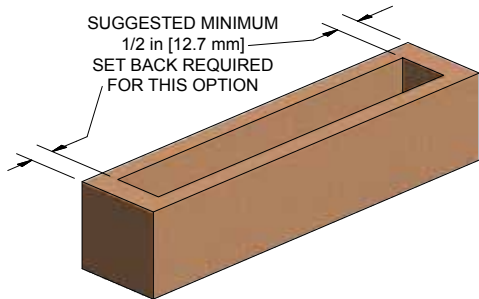
STEP #5:

LOCATE CENTER OF "U" SLOT (DASH LINE SHOWN BELOW) ON CC-493 TOP PLATE MINIMUM 4" [101.6 mm] FROM EACH EDGE OF DOOR. MARK SCREW HOLE LOCATIONS AND PRE-DRILL 1/8" [3.2 mm] DIAMETER HOLES AT LEAST 1-1/2" [38.1 mm] DEEP. MOUNT CC-493 TOP PLATES ON DOOR AND SECURE WITH #10 X 1-1/4" PAN HEAD SCREWS (4 PER TOP PLATE). SEE ILLUSTRATION BELOW:



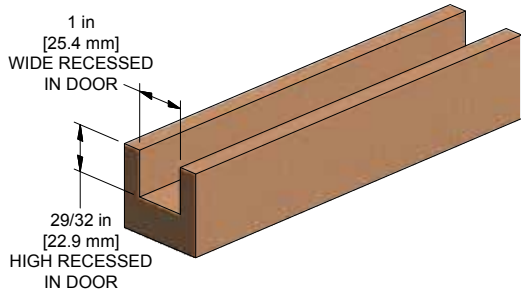
STEP #6:

PREPARE BOTTOM OF DOOR BASED ON KIT ORDERED. SEE BELOW FOR DIFFERENT GUIDE OPTIONS ACCORDINGLY.
AESTHETIC NOTE: IF SUFFICIENT OVERLAP OF THE DOOR IS PROVIDED, GUIDE CHANNEL CAN BE RECESSED INTO THE DOOR WITHOUT CUTTING A SLOT THE FULL LENGTH OF THE DOOR. IF GUIDE CHANNEL WILL BE INSTALLED SHORT FROM THE EDGES, IT IS RECOMMENDED TO HAVE AT LEAST 1/2" [12.7 mm] DOOR MATERIAL AT EACH END OF THE DOOR BEFORE THE START OF THE GUIDE CHANNEL SLOT.



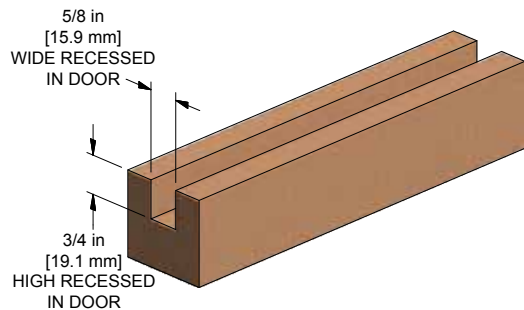
STEP #6 OPTION A: FOR CC-493-W KITS ONLY

PREPARE C-914 GUIDE CHANNEL SLOT IN DOOR AT LEAST 1" [25.4 mm] WIDE IN CENTER OF DOOR, AND AT LEAST 29/32" [23 mm] DEEP. IT IS RECOMMENDED TO MAKE THE SLOT AS ACCURATE AS POSSIBLE FOR SECURE FIT AND NEAT APPEARANCE. SEE BELOW:



STEP #6 OPTION B: FOR CC-493-B KITS

PREPARE C-201 GUIDE CHANNEL SLOT IN DOOR AT LEAST 5/8" [15.9 mm] WIDE IN CENTER OF DOOR, AND AT LEAST 3/4" [19.1 mm] DEEP. IT IS RECOMMENDED TO MAKE THE SLOT AS ACCURATE AS POSSIBLE FOR SECURE FIT AND NEAT APPEARANCE. SEE BELOW:

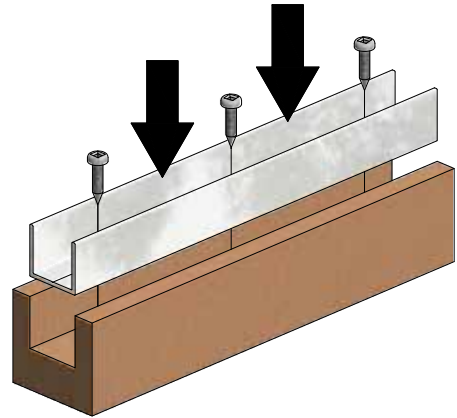


STEP #7:

INSTALL GUIDE CHANNEL AS PER OPTIONS BELOW BASED ON KIT ORDERED.

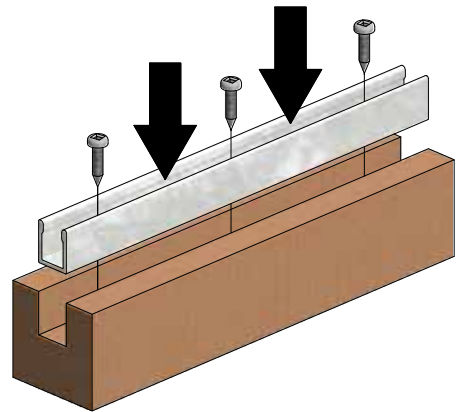
STEP #7 OPTION A: FOR CC-493-W KITS ONLY

CUT C-914 ALUMINUM GUIDE CHANNEL TO CORRECT LENGTH AS REQUIRED. DRILL HOLES IN C-914 GUIDE CHANNEL AND PRE-DRILL HOLES IN DOOR. LOCATE CHANNEL IN SLOT PREVIOUSLY PREPARED ABOVE AND SCREW CHANNEL INTO PLACE WITH #8 X 3/4" PAN HEAD SCREWS (4 SCREWS ARE PROVIDED IN KIT).



STEP #7 OPTION B: FOR CC-493-B KITS ONLY

CUT C-201 ALUMINUM GUIDE CHANNEL TO CORRECT LENGTH AS REQUIRED. DRILL HOLES IN C-201 GUIDE CHANNEL AND PRE-DRILL HOLES IN DOOR. LOCATE CHANNEL IN SLOT PREVIOUSLY PREPARED ABOVE AND SCREW CHANNEL INTO PLACE WITH #8 X 3/4" PAN HEAD SCREWS (4 SCREWS ARE PROVIDED IN KIT).

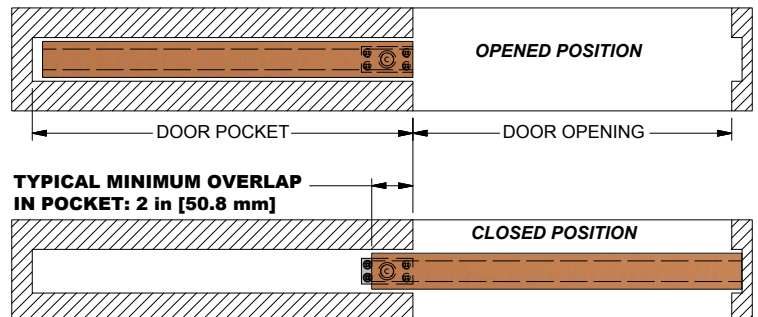


STEP #8:

LOCATE GUIDES AS REQUIRED AND SECURE AS PER THE DIFFERENT OPTIONS BELOW BASED ON KIT ORDERED. DIMENSIONS FOR GUIDES CAN BE FOUND ON THE FIRST PAGE IN THE PARTS LIST SECTION BASED ON KIT ORDERED.

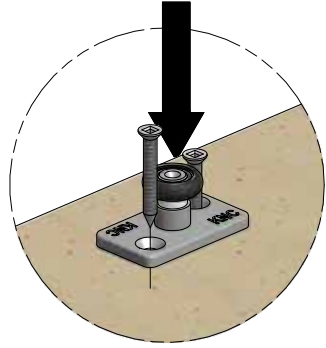
TYPICAL INSTALLATION LOCATION FOR FLOOR GUIDES:

GUIDE CHANNEL IN DOOR WITH GUIDE ON FLOOR FOR POCKET DOOR APPLICATIONS ILLUSTRATED BELOW:



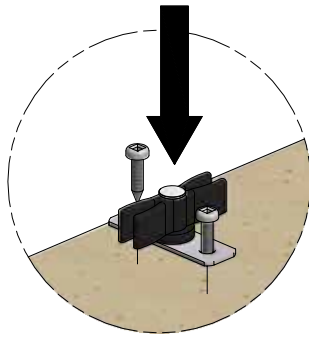
STEP #8 OPTION A: FOR CC-493-W KITS ONLY

LOCATE C-913 GUIDE AS PER REQUIREMENT BASED ON THE ABOVE SUGGESTIONS AND SITE CONDITIONS AND SECURE TO FLOOR WITH #10 X 1-3/4" FLATHEAD SCREWS (2).



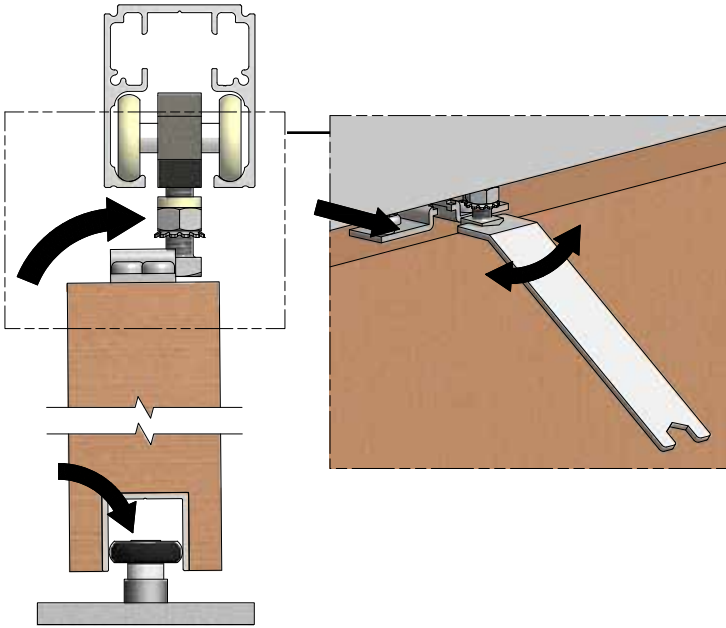
STEP #8 OPTION B: FOR CC-493-B KITS ONLY

LOCATE C-200 GUIDE AS PER REQUIREMENT BASED ON THE ABOVE SUGGESTIONS AND SITE CONDITIONS AND SECURE TO FLOOR WITH #8 X 3/4" PAN HEAD SCREWS (2).



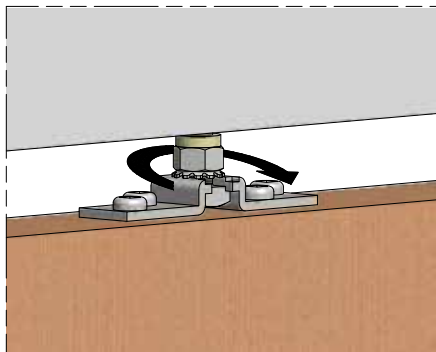
STEP #9:

RAISE THE DOOR AND POSITION OVER THE GUIDE AND UNDER THE HANGERS IN THE TRACK. LIFT THE DOOR UP AND ENGAGE TOP PLATE SLOTS WITH THE CC-493 SQUARE HEAD BOLTS. ADJUST DOOR HEIGHT AND PLUMB BY DISENGAGING AND USING THE CP-400 ADJUSTMENT WRENCH. SEE ILLUSTRATIONS BELOW.



STEP #10:

LOCK ADJUSTMENT BY TIGHTENING CC-493 LOCK WASHER NUT AGAINST CC-493 TOP PLATE WITH CP-400 ADJUSTMENT WRENCH.



STEP #11:

AFTER THE DOOR HAS BEEN INSTALLED, POSITION DOOR APPROXIMATELY 5-10" AWAY FROM THE FINAL POSITION AT ONE END (USING THE LEFT SIDE AS AN EXAMPLE TO SHOW THIS STEP). PUSH THE LOOSE LEFT SIDE CC-100 STOP (INSTALLED IN STEP #4) AGAINST THE HANGER BODY AS SHOWN BELOW:



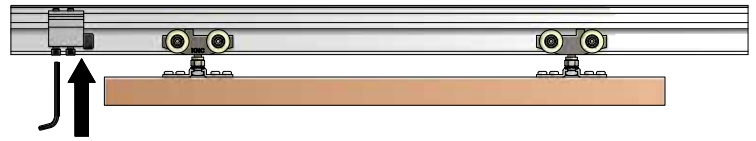
STEP #12:

WITH THE CC-100 STOP LOOSE, SLIDE THE DOOR TO THE LEFT TO THE FINAL/DESIRED POSITION OF THE DOOR AS SHOWN BELOW:



STEP #13:

ONCE THE FINAL POSITION IS ACHIEVED, SLIDE THE DOOR AWAY FROM THE CC-100 STOP. LOCK THE STOP IN POSITION BY TIGHTENING THE TWO CAP SCREWS ON THE STOP WITH 3/16" ALLEN KEY (CC-100 IS SECURED BY FRICTION FIT).



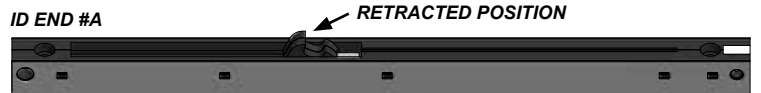
STEP #14:

REPEAT STEPS #11 THRU #13 FOR OPPOSITE SIDE. NOTE: RE-CHECK FINAL DOOR POSITIONS AGAINST THE SECURED CC-100 STOPS BEFORE PROCEEDING TO STEP #15. RE-ADJUST IF REQUIRED.

STEP #15:

BEFORE INSTALLING THE CATCH'N'CLOSE DEVICE, PLEASE ENSURE IT IS IN THE RETRACTED POSITION. IF IT IS NOT IN THIS POSITION, SLIDE IT DOWN UNTIL IT LOCKS INTO THIS POSITION AS SHOWN BELOW.

NOTE: THIS WILL REQUIRE SIGNIFICANT FINGER PRESSURE.



IMPORTANT CATCH'N'CLOSE CLOSING DEVICE NOTES:

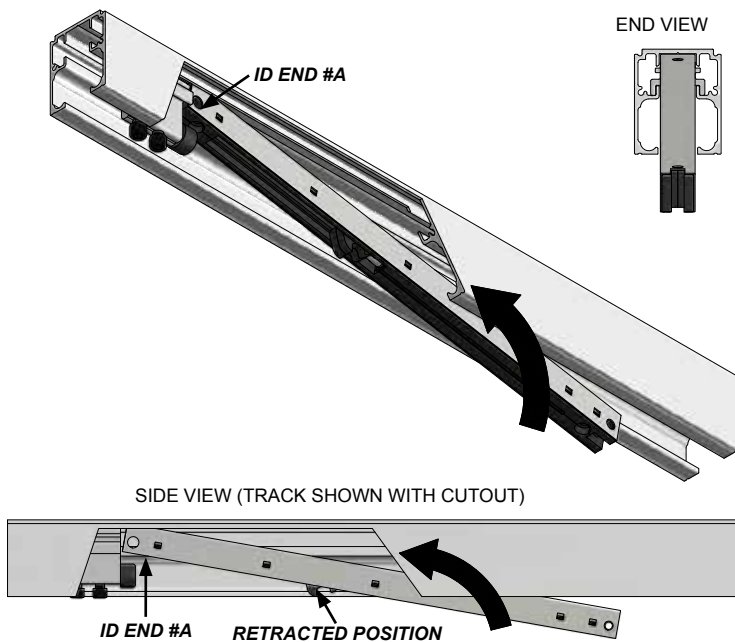
IF THE DOORS ARE 75LBS OR LESS, PLEASE ENSURE THE CC-75 CATCH'N'CLOSE CLOSING DEVICE IS BEING USED.

IF THE DOORS ARE MINIMUM 75LBS UP TO 150LBS, PLEASE ENSURE THE CC-1 CATCH'N'CLOSE CLOSING DEVICE IS BEING USED.

IF THE INCORRECT CATCH'N'CLOSE CLOSING DEVICE IS USED, THERE IS A HIGHER RISK OF FAILURE, NOT PROVIDING ENOUGH STRENGTH AND/OR TOO MUCH RESISTANCE IS EXPERIENCED WHEN OPERATING THE DOOR.

STEP #16:

PLACE THE CATCH'N'CLOSE CLOSING DEVICE INTO THE TRACK WITH THE SOLID END (ID END #A SHOWN ON PREVIOUS PAGE) RESTING AGAINST THE UPPER BODY ON THE CC-100 STOPS (ABOVE THE BUMPER) INSTALLED PREVIOUSLY. WHEN THE CATCH'N'CLOSE CLOSING DEVICE IS RESTING TIGHT AGAINST THE UPPER BODY OF THE CC-100 STOP, IT IS IN THE CORRECT POSITION AND WILL CLOSE THE DOOR TO THE DESIRED POSITION. SEE ILLUSTRATION BELOW:

**STEP #17:**

SECURE CATCH'N'CLOSE CLOSING DEVICE TO TRACK WITH #10 X 1-1/2" SELF DRILLING SCREWS. DO THE SAME FOR THE OPPOSITE END WITH THE CATCH'N'CLOSE CLOSING DEVICE INSTALLED IN REVERSE AS SHOWN ON THE FRONT PAGE IN THE "ELEVATION VIEW OF COMPLETE INSTALLATION" ILLUSTRATION.

NOTE: DO NOT USE IMPACT DRIVER TO SECURE CATCH'N'CLOSE CLOSING DEVICES TO THE TRACK. DO NOT OVERTIGHTEN SCREWS. TO EASE INSTALLATION, IT IS RECOMMENDED TO PRE-DRILL TRACK WITH 5/32" DRILL BIT. IT IS RECOMMENDED TO SECURE THE FIRST SCREW (CLOSEST TO THE CC-100 STOP), TEST SYSTEM BY SLIDING THE DOOR TO ACTIVATE THE CATCH'N'CLOSE. IF IT IS IN THE CORRECT POSITION, SECURE WITH SECOND SCREW. REMOVE ANY DRILL FILLINGS FROM INSIDE THE TRACK AS THIS WILL AFFECT THE OPERATION OF THE SLIDING DOOR SYSTEM.

**STEP #18:**

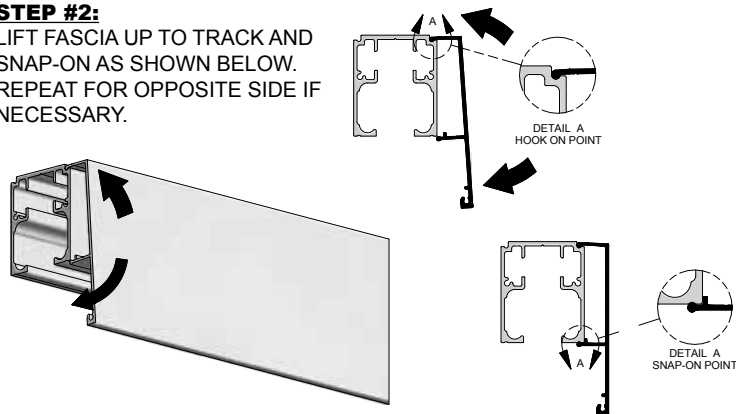
TEST THE COMPLETE CATCH'N'CLOSE SYSTEM BY SLIDING THE DOOR TO BOTH LEFT AND RIGHT TO ACTIVATE THE CLOSING DEVICES.

OPTIONAL CC-440 FASCIA INSTALLATION**STEP #1:**

CUT CC-440 FASCIA TO CORRECT LENGTH IF REQUIRED. TYPICALLY FASCIA IS SAME LENGTH AS TRACK PREVIOUSLY INSTALLED.

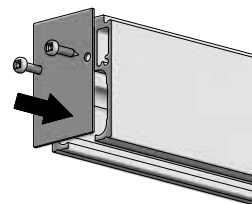
STEP #2:

LIFT FASCIA UP TO TRACK AND SNAP-ON AS SHOWN BELOW. REPEAT FOR OPPOSITE SIDE IF NECESSARY.

**OPTIONAL CC-441 END CAP INSTALLATION**

INSTALL CC-441 END CAP AS SHOWN TO THE BELOW WITH THE SUPPLIED #6 SCREWS (2 SCREWS PER END CAP PROVIDED).

NOTE: DO NOT INSTALL WITH IMPACT DRIVER

**TROUBLESHOOTING:**

ISSUE: IF THE DOOR IS NOT ENGAGING THE CLOSING DEVICE.

SOLUTION: A) ENSURE HANGERS ARE CORRECTLY ORIENTED. SEE STEP #4.

B) ENSURE THE CATCH'N'CLOSE IS IN THE RETRACTED POSITION PRIOR TO SLIDING THE DOOR CLOSED/OPEN. SEE STEP #15.

ISSUE: CHATTER/NOISE WHEN DOOR IS SLIDING.

SOLUTION: ENSURE THERE ARE NO ALUMINUM SHAVINGS WITHIN THE TRACK. SHAVINGS CAN BECOME EMBEDDED IN NYLON TIRES AND CAUSE NOISY OPERATION.

ISSUE: REPLACING THE CATCH'N'CLOSE DEVICE.

SOLUTION: THE CATCH'N'CLOSE TRACK AND HARDWARE SYSTEM HAS BEEN DESIGNED FOR EASY INSTALLATION. SIMPLY REMOVE THE TWO SCREWS THAT HOLD THE CATCH'N'CLOSE IN PLACE AND REPLACE THE DEVICE WITH A NEW ONE IF FAILURE OCCURS.

OPTIONAL PRODUCTS:

PLEASE VISIT OUR WEBSITE FOR OTHER OPTIONAL PRODUCT SUCH AS SIDE MOUNT GUIDES, DOOR LOCKS & PULLS AND MORE.