

DUAL TRACK BY-PASS SYSTEMS

MEDIUM TO LIGHT DUTY

C-500 HANGER

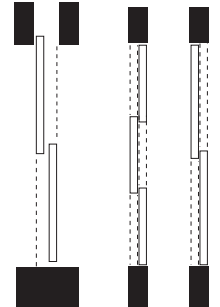
C-500 TRACK (FOR 1-3/4" [44.5MM] DOORS)

For 1-3/4" [44.5mm] By-Passing Medium to Light Duty Doors
This series provides the ultimate in smooth performance.

Eight precision ball bearing, nylon tire wheels per door. Features vertical adjustment by threaded door top plate and locknut. Ideal for mirror covered and solid core doors.

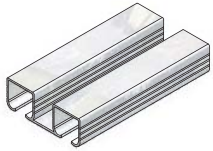
- Use with Extruded Aluminum **C-500 Track**, 6063T5 Alloy
- Load capacity **125 lbs. (two hangers)**

Up to
125 lbs.
per door



C-500 COMPLETE KIT FOR 2 DOORS

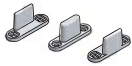
COMPLETE KITS AVAILABLE FOR DOOR WIDTHS FROM 24" [610MM] TO 72" [1829MM], AND WITH HARDWARE FOR 2 DOORS.



- 1 - C-500 TRACK
 LENGTH: 2 X DOOR WIDTH
 (EXAMPLE: 36" [914MM] DOOR = 72" [1829MM] TRACK)



- 4 - C-500 HANGERS COMPLETE WITH SCREWS



- 1 - C-1204 FLOOR GUIDES COMPLETE WITH SCREWS



- 4 - CDC-400 IN-TRACK STOP & CATCH COMPLETE WITH SCREWS

OPTIONAL PRODUCTS



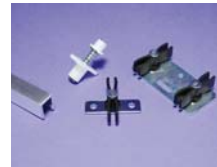
CDSM-1 Side-Mount Bracket. (See page 68 for more details).



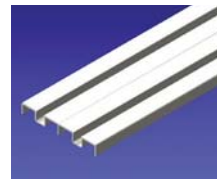
C-23, C-25, C-70, C-75 Door Pulls. (See page 72 for more details).



C-913 Guide or C-913D-134 Double Roller Guide & C-914 Guide channel. (See page 70 for more details)



C-200 Guide, C-200D-134 Double Roller Guide or C-200B Spring Loaded Guide & C-201 Guide Channel. (See page 71 for more details).

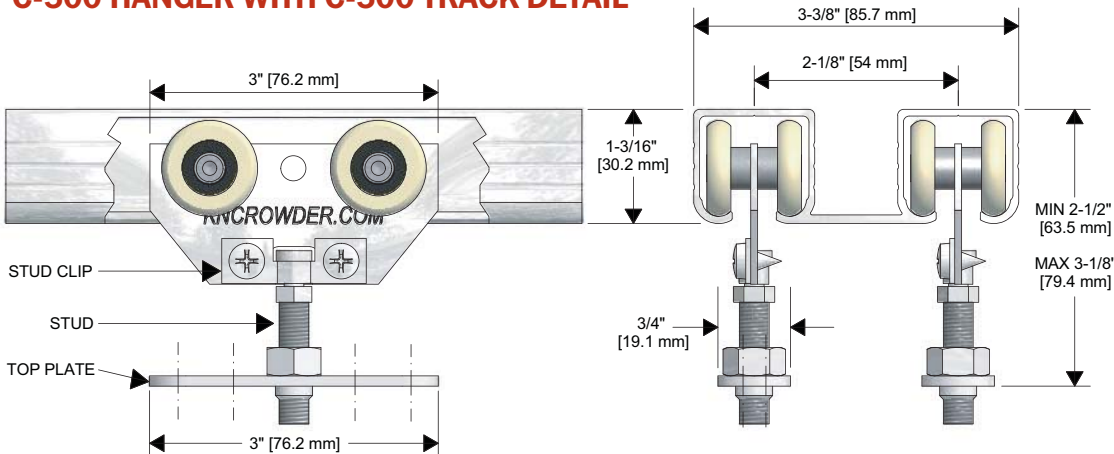


C-202 Guide Threshold. (See page 71 for more details).



Optional Fascias. (See page 67 for more details).

C-500 HANGER WITH C-500 TRACK DETAIL



OTHER SPECIAL HANGERS AVAILABLE FOR C-500 TRACK

