

SINGLE TRACK SYSTEMS

MEDIUM TO LIGHT DUTY

C-400 HANGER

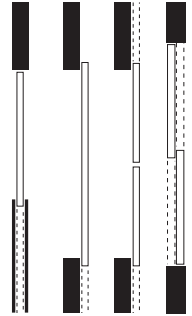
C-400 TRACK

For Single & Bi-Parting, By-Passing, Pocket or Wall Mounted Doors. This series provides the ultimate in smooth performance.

Eight ball bearing, nylon tire wheels per door. Features vertical adjustment by threaded door top plate and locknut. Ideal for mirror covered and solid core doors.

- Can be mounted side by side for by-pass applications
- Use with Extruded Aluminum **C-400 Track**, 6063T5 Alloy
- Load Capacity **125 lbs. (two hangers)**

Up to 125 lbs. per door



C-400

We specialize in Curved Track applications. See page 7 for details.

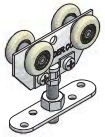


C-400 COMPLETE KIT FOR 1 DOOR

COMPLETE KITS AVAILABLE FOR 24" [610MM] TO 72" [1829MM] WIDE DOORS. FOR BY-PASSING DOOR APPLICATIONS USE TWO COMPLETE KITS.



1 - C-400 TRACK
LENGTH: 2 X DOOR WIDTH
(EXAMPLE: 36" [914MM] DOOR = 72" [1829MM] TRACK)



2 - C-400 HANGERS COMPLETE WITH SCREWS



2 - C-1202 FLOOR GUIDES COMPLETE WITH SCREWS



2 - CDC-400 IN-TRACK STOP & CATCH COMPLETE WITH SCREWS

OPTIONAL PRODUCTS



C-401 Side-Mount Bracket. (See page 68 for more details. CSM Side-Mount guides for this series also available on page 70).



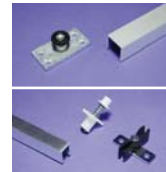
C-30, C-35 or C-40 Door Locks Series. C-23, C-25, C-70, C-75 Door Pulls. (See page 72 for more details).



C-80 Door Locks & Pulls Series. (See pages 72-75 for more details).



CAS-1 or CAS-2 Stops. (See page 69 for more details).

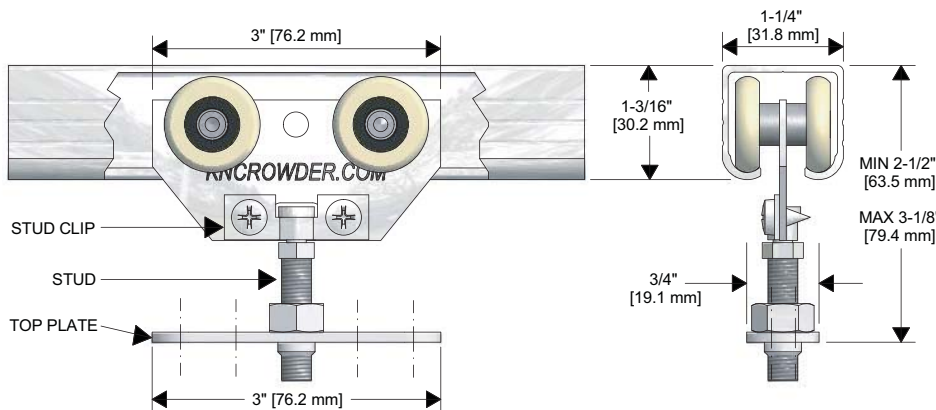


C-200 Guide or C-200B Spring Loaded Guide & C-201 Guide Channel. (See pages 71 for more details).

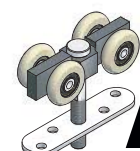


Optional Fascias. (See page 67 for more details).

C-400 HANGER WITH C-400 TRACK DETAIL



OTHER SPECIAL HANGERS AVAILABLE FOR C-400 TRACK. (CONTACT CUSTOMER SERVICE FOR MORE DETAILS)



CL-400 HANGER (FOR CURVED TRACK APPLICATIONS)



C-304 CONCEALED TYPE HANGER



C-2400 (FLAT)



C-2438 (3/8" [9.5MM] OFFSET)



C-2458 (5/8" [15.9MM] OFFSET)

SIDE-MOUNT HANGERS